



US00D760190S

(12) **United States Design Patent**
Sova, Jr.

(10) **Patent No.:** **US D760,190 S**
(45) **Date of Patent:** **** Jun. 28, 2016**

- (54) **HEADSET COVER**
- (71) Applicant: **Ronald Jerome Sova, Jr.**, Rochester, NY (US)
- (72) Inventor: **Ronald Jerome Sova, Jr.**, Rochester, NY (US)
- (**) Term: **14 Years**
- (21) Appl. No.: **29/525,392**
- (22) Filed: **Apr. 29, 2015**
- (51) **LOC (10) Cl.** **14-01**
- (52) **U.S. Cl.**
USPC **D14/205**
- (58) **Field of Classification Search**
USPC D14/205, 223; D29/112, 122; 2/209; 128/866; 181/129, 130, 135; 379/430, 379/431; 381/380, 381, 370, 371; 455/90.3, 455/575.1
CPC A45D 44/12; H04R 25/00; A42B 1/06
See application file for complete search history.

- 3,087,215 A * 4/1963 Tworek A44B 1/08 24/113 R
- 3,112,493 A * 12/1963 Greenberg A61F 11/06 2/209
- 3,353,231 A * 11/1967 Levine A44B 1/14 24/113 MP
- 3,415,246 A * 12/1968 Hill A61F 11/08 128/864
- 3,525,103 A * 8/1970 Yonan A61F 11/06 2/174
- 3,530,261 A * 9/1970 Guim H04R 1/12 379/452
- 3,539,031 A * 11/1970 Scanlon A61B 7/026 181/129
- 4,654,898 A * 4/1987 Ishikawa H04R 1/1008 2/209
- 4,713,843 A * 12/1987 Duncan A61F 11/06 128/866
- 4,872,219 A * 10/1989 Duncan A61F 11/06 128/866
- D395,657 S * 6/1998 Leight D14/223
- D481,375 S * 10/2003 Suzuki D14/206
- D505,411 S * 5/2005 Sakai D14/192
- 7,006,649 B2 * 2/2006 Natvig H04R 1/1058 381/370
- D519,985 S * 5/2006 Wikel D14/205
- 7,340,221 B2 * 3/2008 Wikel H04B 1/385 455/41.2
- D585,361 S * 1/2009 Ho D12/521

(Continued)

(56) **References Cited**

U.S. PATENT DOCUMENTS

- 145,168 A * 12/1873 Goge A61F 11/06 2/209
- 190,720 A * 5/1877 Kleinert A61F 11/06 128/866
- 346,175 A * 7/1886 Shelby A61F 11/06 2/209
- 1,857,974 A * 5/1932 Reno A45D 44/12 128/866
- 2,439,289 A * 4/1948 Fanslow A61F 11/06 2/209
- D153,112 S * 3/1949 Braun et al. D14/205
- 2,468,721 A * 4/1949 Volkmann H04R 1/1008 181/129
- 2,582,907 A * 1/1952 Kaufmann A61F 11/06 2/209
- 2,727,245 A * 12/1955 Suggs A45D 44/12 2/174
- 2,762,146 A * 9/1956 Milazzo A44C 3/001 24/103

Primary Examiner — Paula Greene

(74) *Attorney, Agent, or Firm* — Dunlap, Bennett & Ludwig PLLC

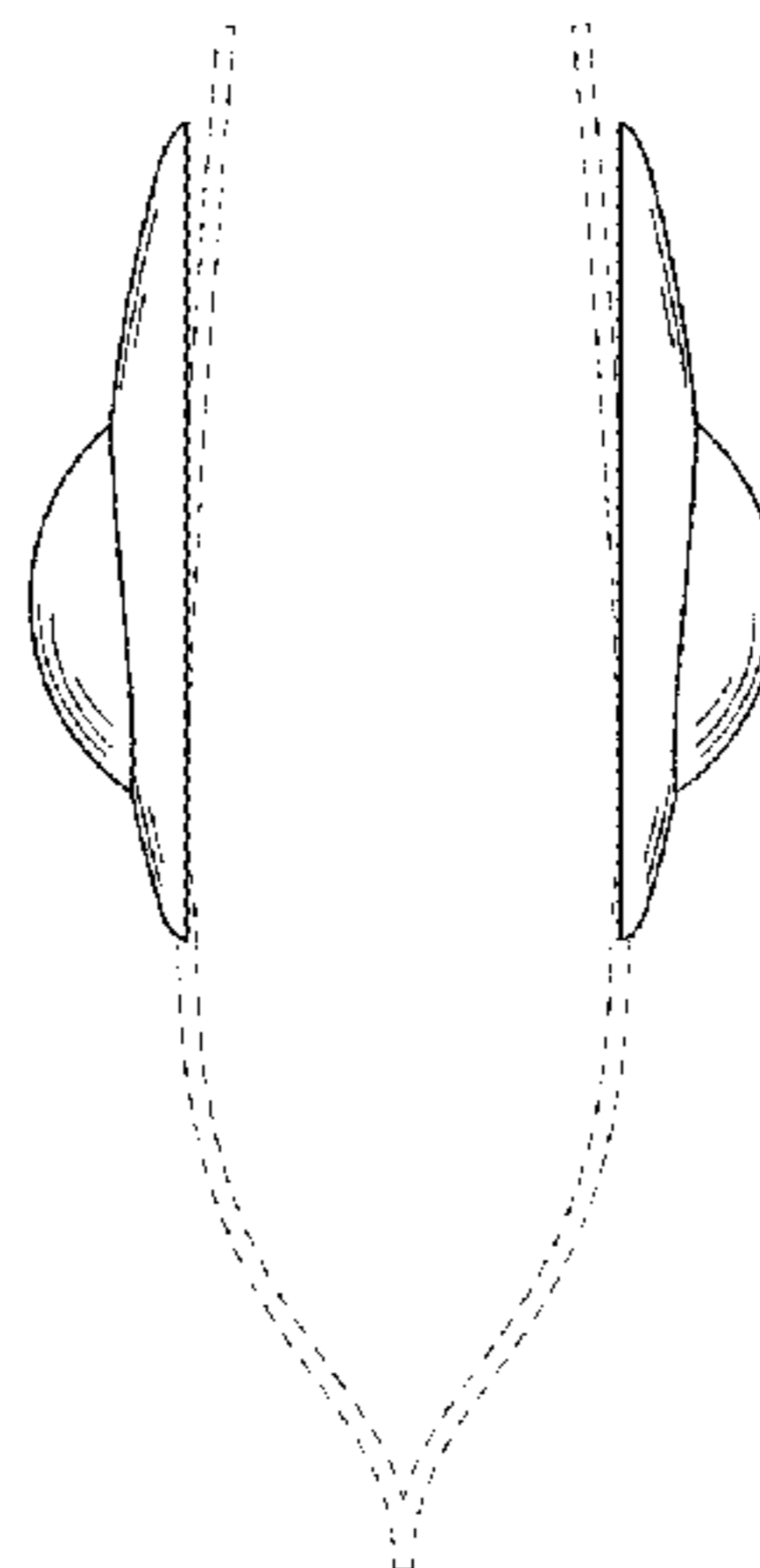
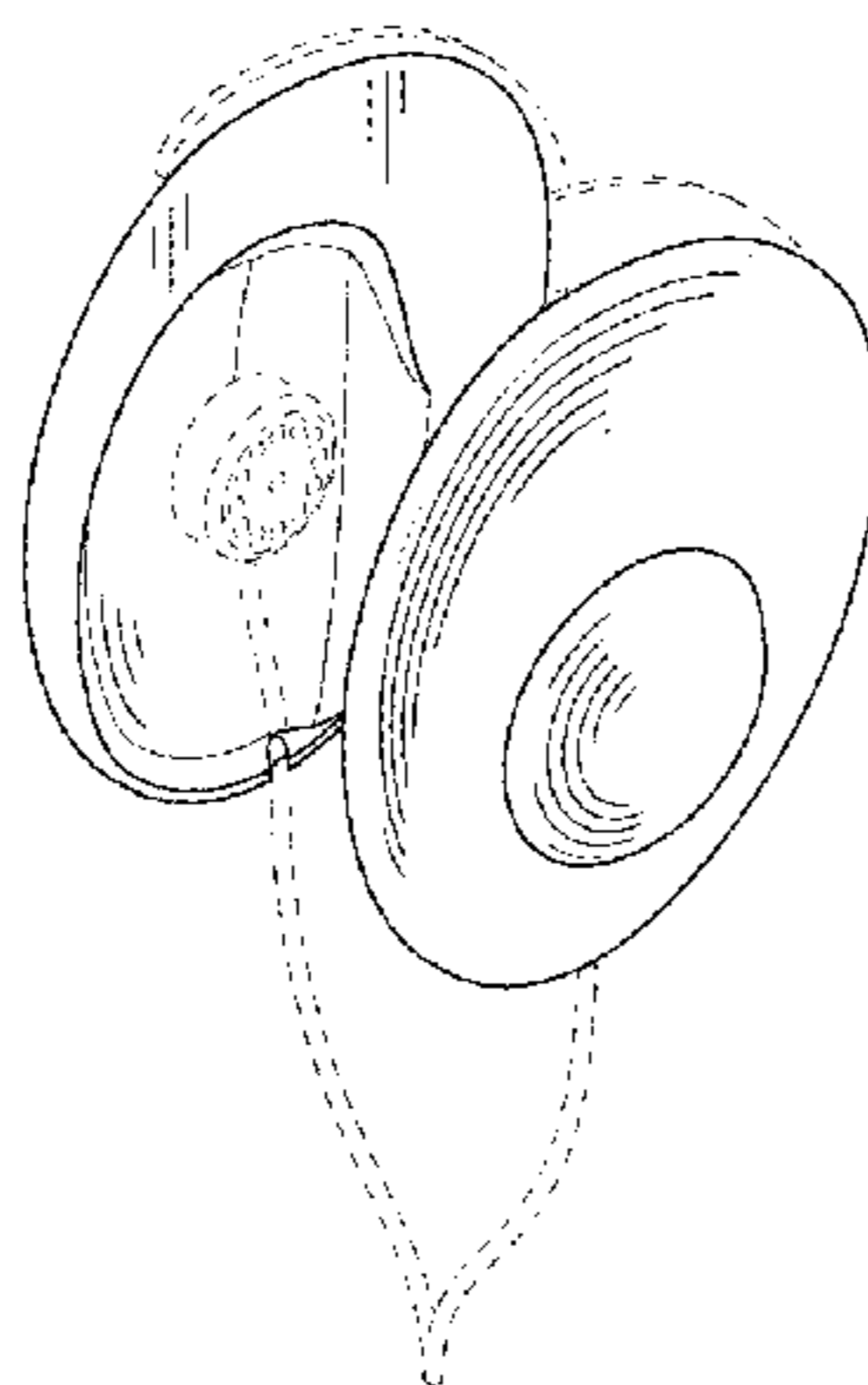
(57) **CLAIM**

The ornamental design for a headset cover, as shown and described.

DESCRIPTION

FIG. 1 is a front perspective view of a headset cover;
 FIG. 2 is a front elevation view thereof;
 FIG. 3 is a rear elevation view thereof;
 FIG. 4 is a left side elevation view thereof, the right side elevation view being a mirror image thereof;
 FIG. 5 is a top plan view thereof; and,
 FIG. 6 is a bottom plan view thereof.
 The broken lines shown in the drawings illustrate portions of the headset cover that form no part of the claimed design.

1 Claim, 2 Drawing Sheets



(56)

References Cited

U.S. PATENT DOCUMENTS

7,480,388 B1 * 1/2009 Crook H04R 25/65
381/322
D592,181 S * 5/2009 Komiyama D14/205
D592,638 S * 5/2009 Komiyama D14/205
D606,969 S * 12/2009 Semcken D14/205
D606,970 S * 12/2009 Semcken D14/205

D627,759 S * 11/2010 Peller D14/205
D635,124 S * 3/2011 Morimoto D14/205
D637,997 S * 5/2011 Peller D14/205
D659,116 S * 5/2012 Iseki D14/205
D702,209 S * 4/2014 Lee D14/205
D707,201 S * 6/2014 Arjomand D14/205
2007/0036383 A1 * 2/2007 Romero H04R 1/1016
381/380

* cited by examiner

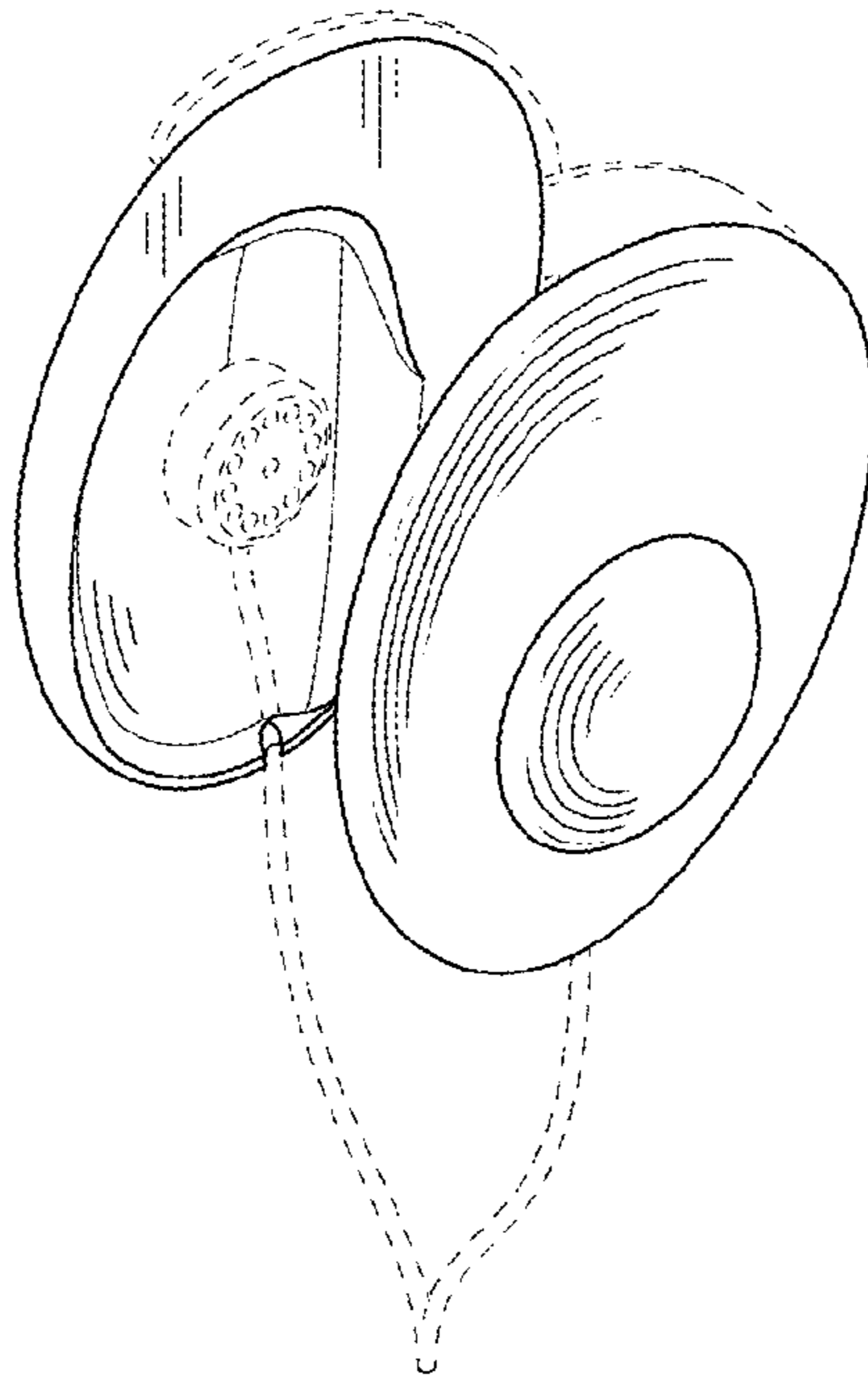


FIG. 1

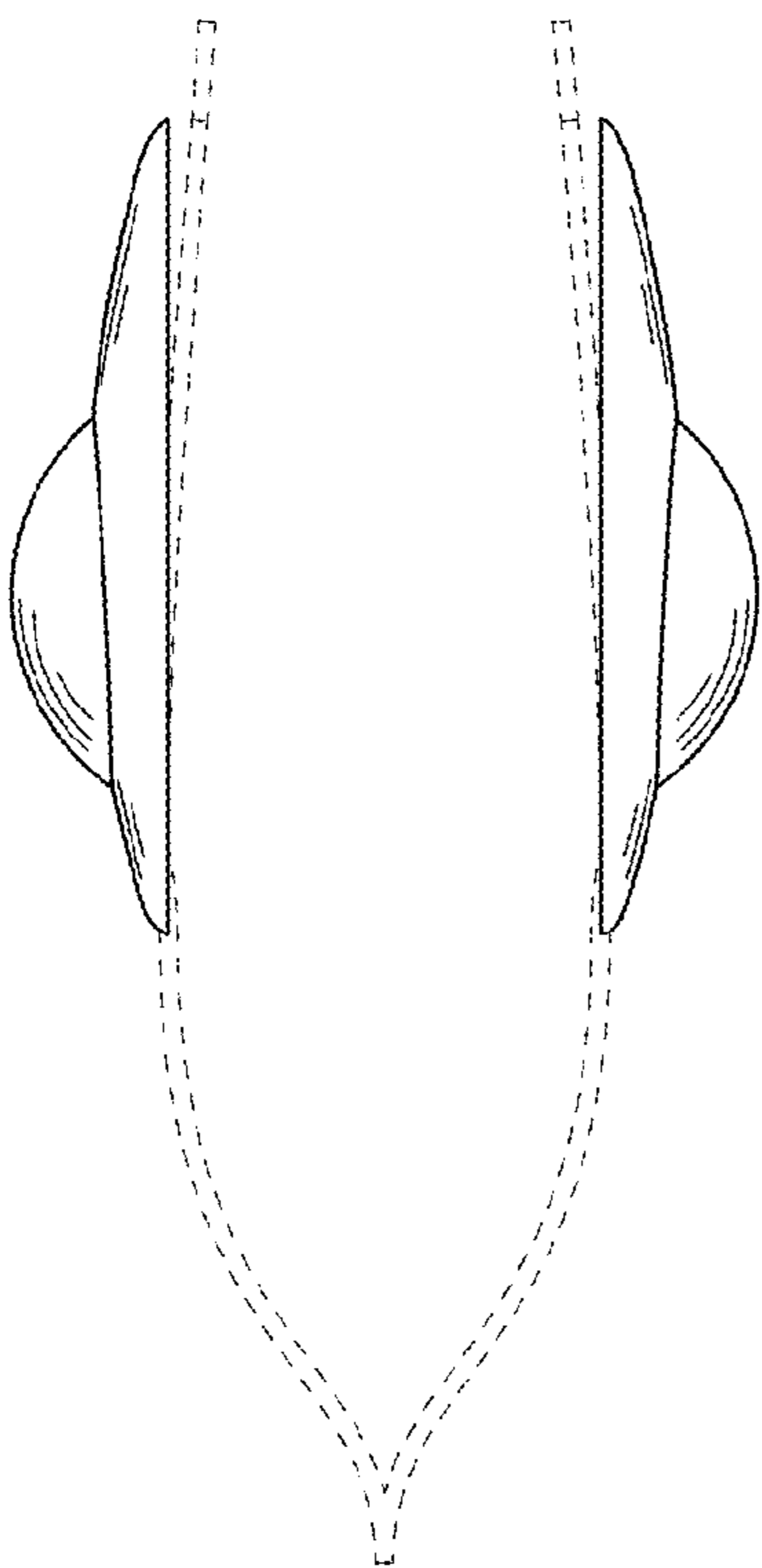


FIG. 2

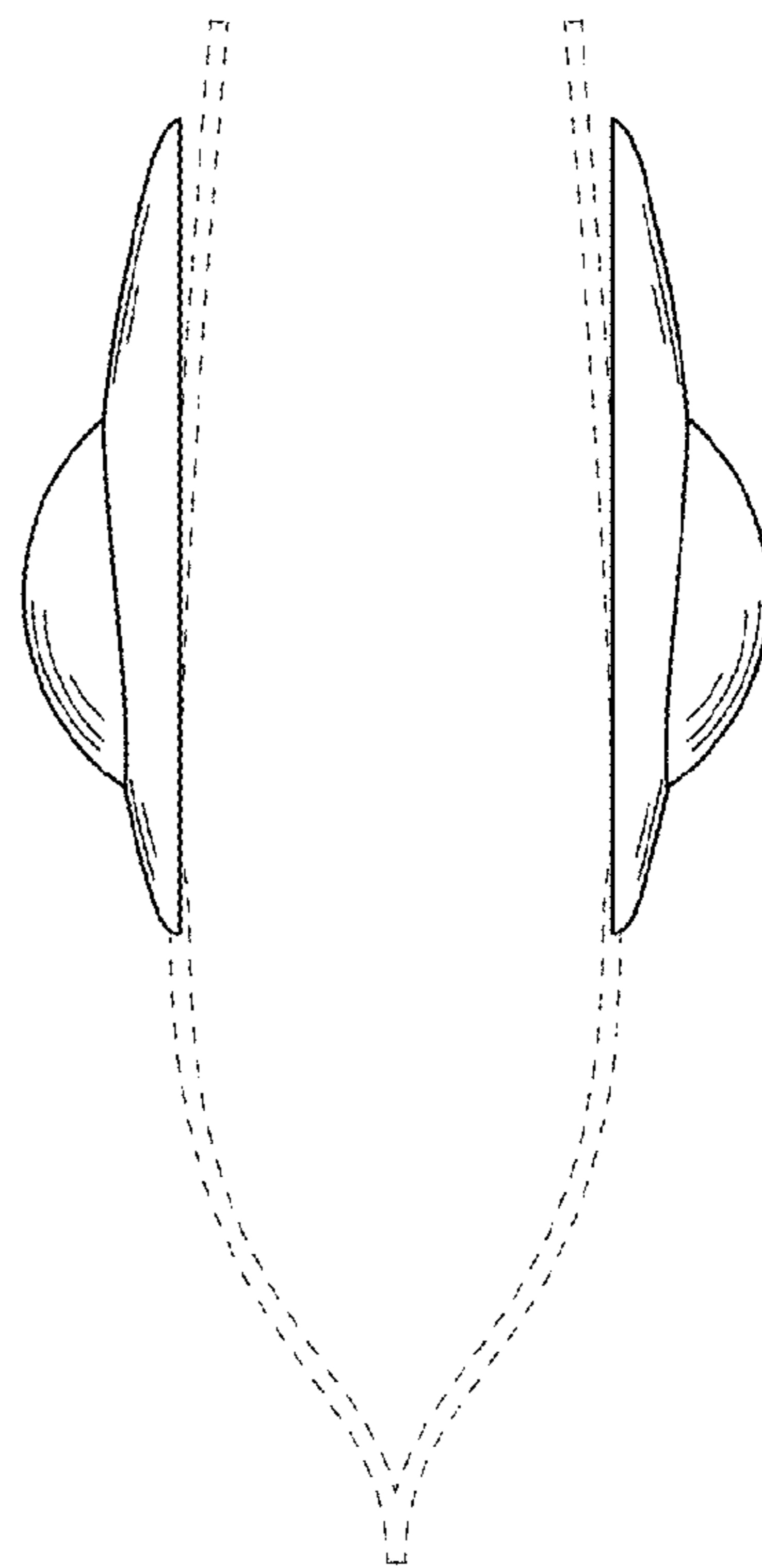


FIG. 3

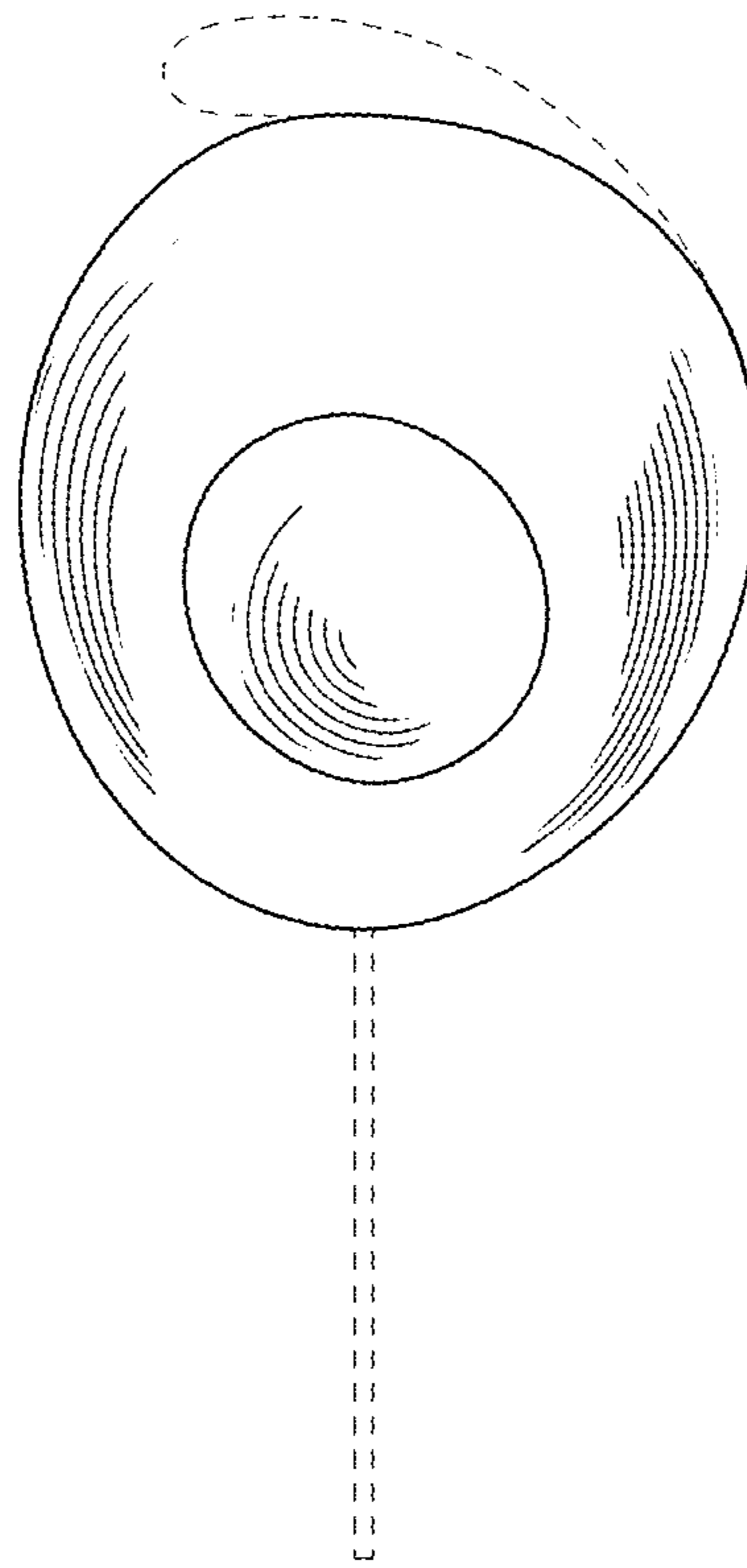


FIG. 4

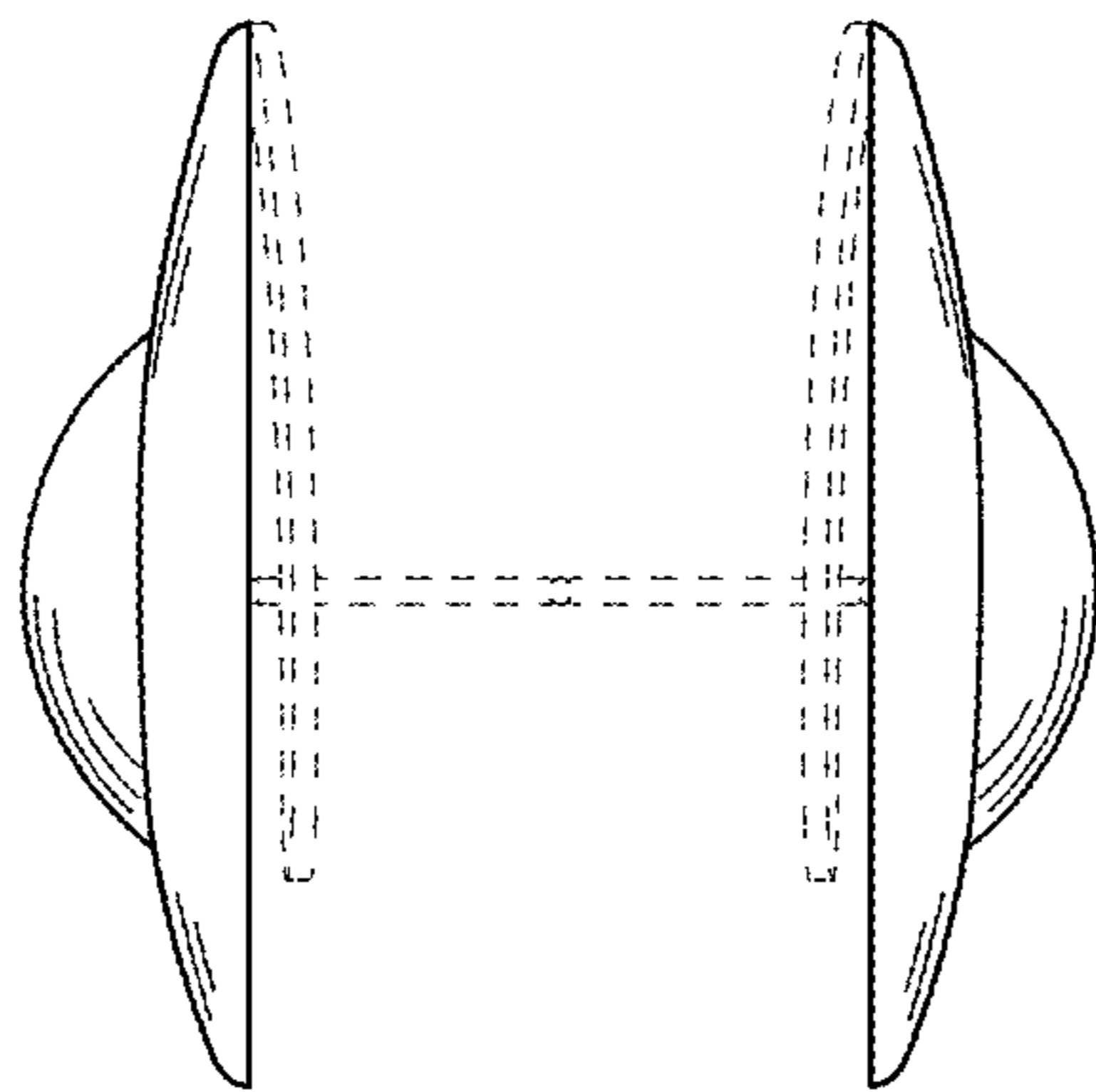


FIG. 5

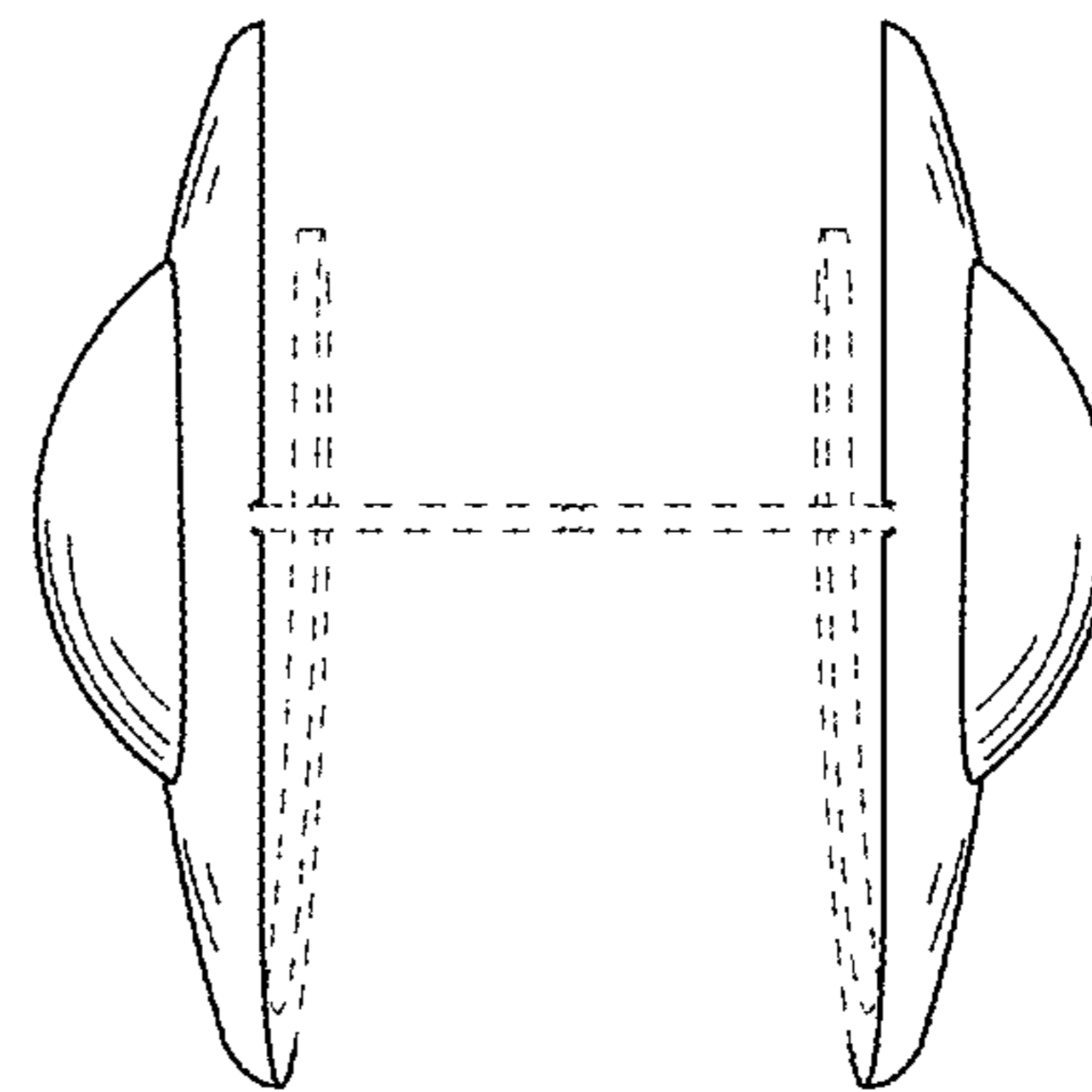


FIG. 6