



US00D760187S

(12) **United States Design Patent**  
**Kouthoofd**

(10) **Patent No.:** **US D760,187 S**  
(45) **Date of Patent:** **\*\* Jun. 28, 2016**

(54) **SPEAKER**

(71) Applicant: **Teenage Engineering AB**, Stockholm (SE)

(72) Inventor: **Jesper Kouthoofd**, Stockholm (SE)

(73) Assignee: **Teenage Engineering AB**, Stockholm (SE)

(\*\*) Term: **14 Years**

(21) Appl. No.: **29/493,704**

(22) Filed: **Jun. 12, 2014**

(30) **Foreign Application Priority Data**

Dec. 20, 2013 (EM) ..... 002375642-0010  
Dec. 20, 2013 (EM) ..... 002375642-0011

(51) **LOC (10) Cl.** ..... **14-01**

(52) **U.S. Cl.**  
USPC ..... **D14/204**

(58) **Field of Classification Search**  
USPC ..... D3/20, 200, 201, 273, 276;  
D7/601-603, 615, 629, 630, 709;  
D9/414, 416, 420, 423, 432, 435, 443;  
D14/189, 196, 203.1, 203.2, 204, 207,  
D14/210, 212, 214, 215, 216, 220-222, 314,  
D14/348, 365, 385; D18/50, 54, 54.1, 55;  
181/143, 144, 147, 148, 150, 153, 157,  
181/198, 199; 358/474, 497, 498;  
381/300-302, 336, 345, 361-364,  
381/386-388; 369/6-11  
CPC ..... B65D 1/42; B65D 79/005; H04R 1/02;  
H04R 1/021; H04R 1/023; H04R 5/00;  
H04R 9/06; H04R 2420/07

See application file for complete search history.

(56) **References Cited**

U.S. PATENT DOCUMENTS

D308,636	S	*	6/1990	Dinand	.....	D9/529
D462,212	S	*	9/2002	Kureghian	.....	D6/515
6,565,444	B2	*	5/2003	Nagata et al.	.....	463/46
D505,069	S	*	5/2005	Keberlein	.....	D9/416
D514,437	S	*	2/2006	Kim	.....	D9/416
D514,928	S	*	2/2006	Keberlein	.....	D9/416
D586,777	S	*	2/2009	Joseph	.....	D10/2
D624,114	S	*	9/2010	Ausems	.....	D18/4.6
D669,500	S	*	10/2012	Dangerfield	.....	D14/496
D676,902	S	*	2/2013	Gilbert	.....	D18/50
D678,941	S	*	3/2013	Gilbert	.....	D18/55
D682,830	S	*	5/2013	Taunay da Graca Couto	.....	D14/385

OTHER PUBLICATIONS

Zooka Bluetooth Wireless Speaker, announced Sep. 2012, [online], site visited Nov. 13, 2015. Available from Internet, <URL: <http://www.imore.com>>.\*

\* cited by examiner

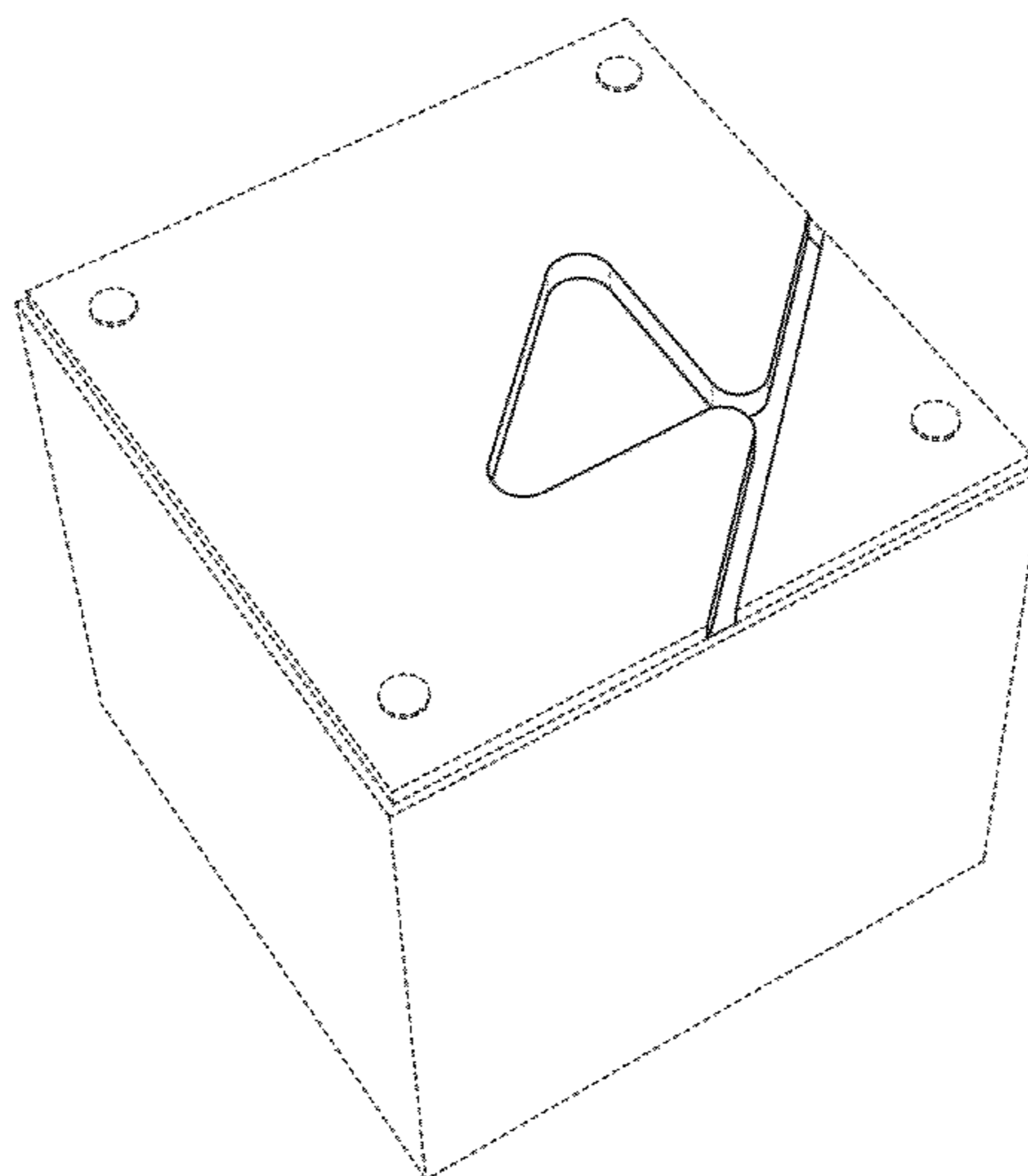
*Primary Examiner* — Derrick Holland  
*Assistant Examiner* — Janice Lim  
(74) *Attorney, Agent, or Firm* — Remarck Law Group PLC

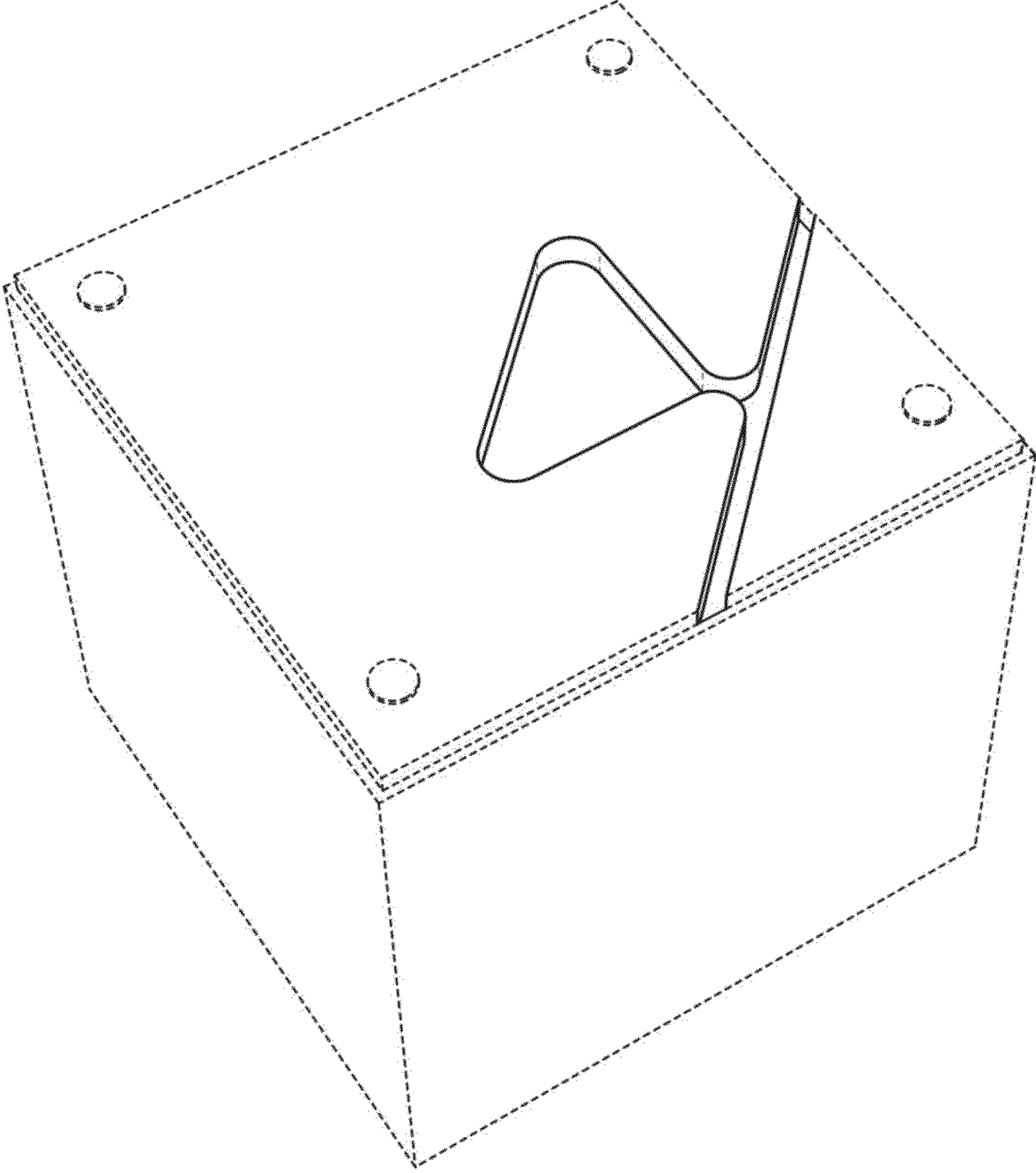
(57) **CLAIM**  
The ornamental design for a speaker, as shown and described.

**DESCRIPTION**

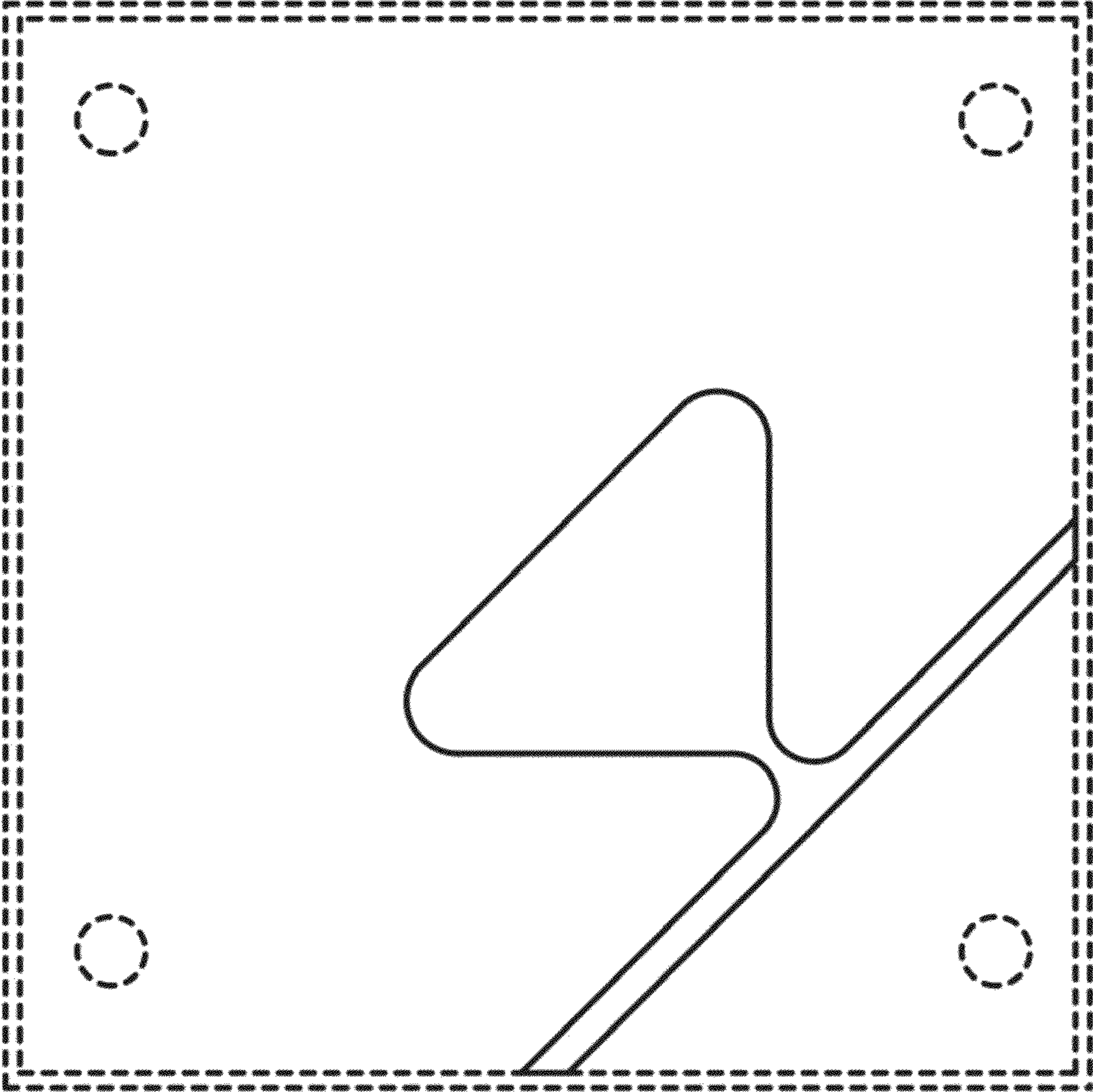
FIG. 1 is a bottom perspective view of a speaker showing my new design;  
FIG. 2 is a bottom plan view thereof;  
FIG. 3 is a top plan view thereof;  
FIG. 4 is a front elevational view thereof;  
FIG. 5 is a side elevational view thereof;  
FIG. 6 is an opposite side elevational view thereof; and,  
FIG. 7 is a rear elevational view thereof.  
The broken line portions of FIGS. 1-7 are included to show unclaimed subject matter only and form no part of the claimed design.

**1 Claim, 7 Drawing Sheets**

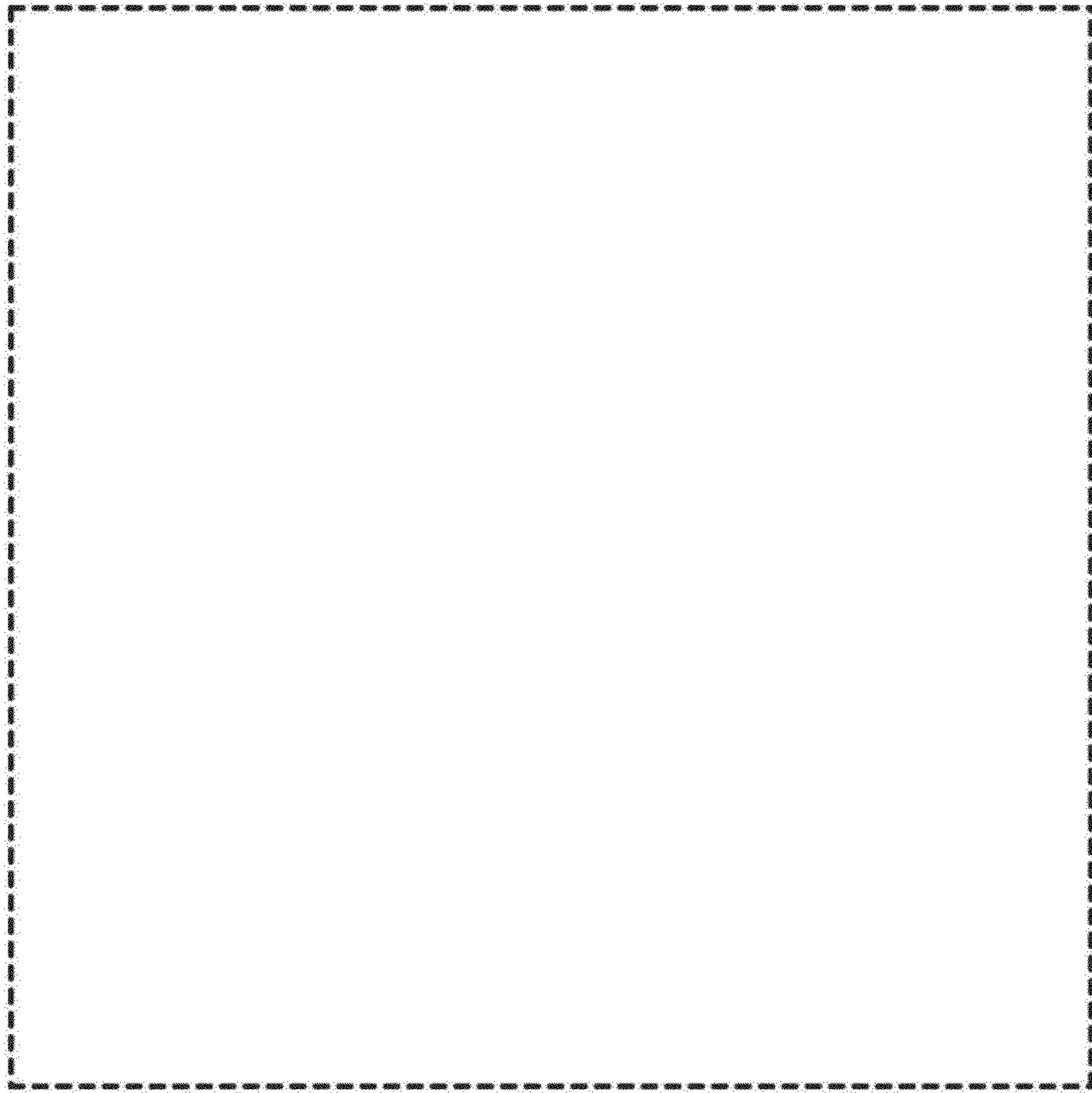




**FIG. 1**

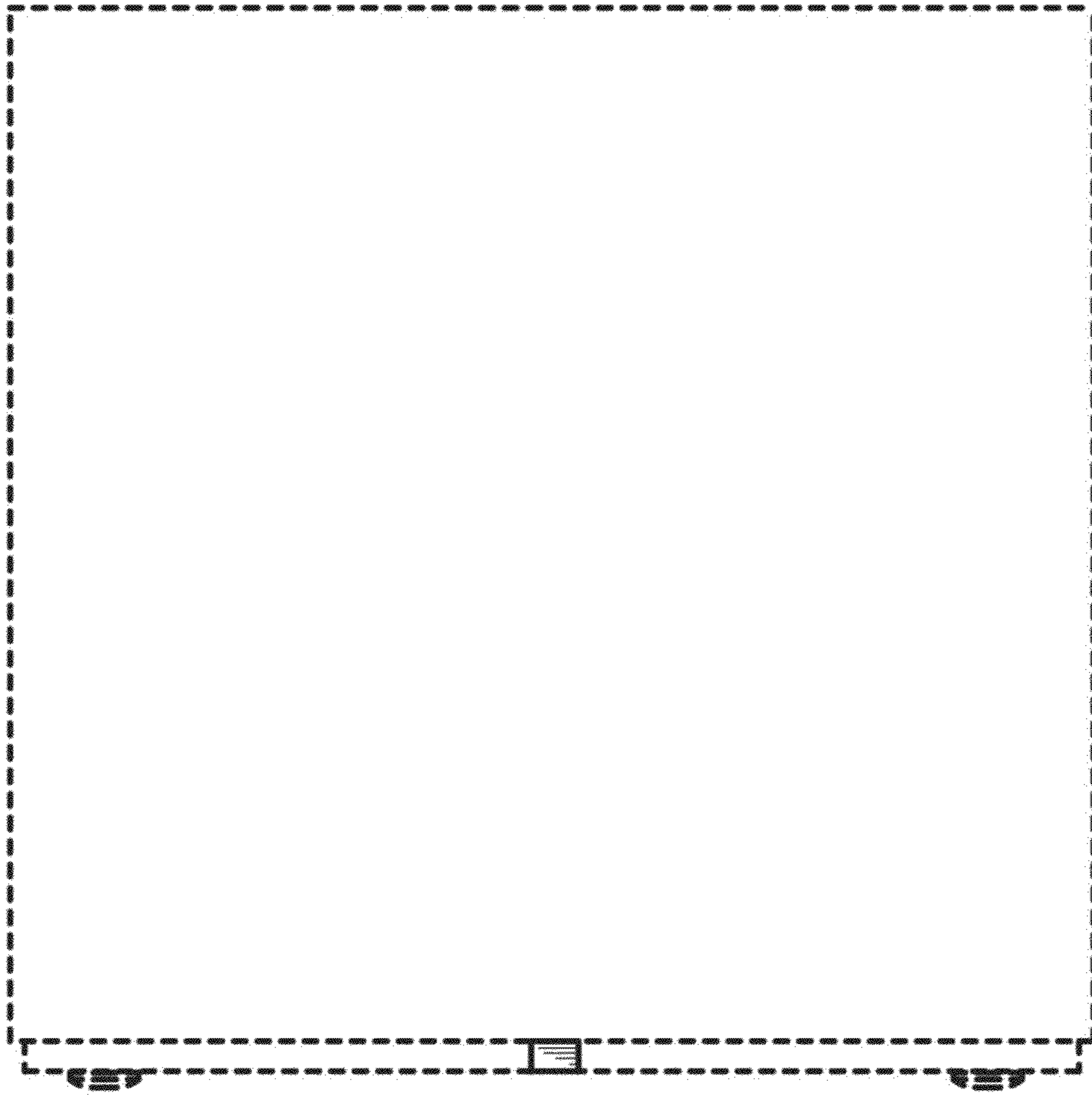


**FIG. 2**

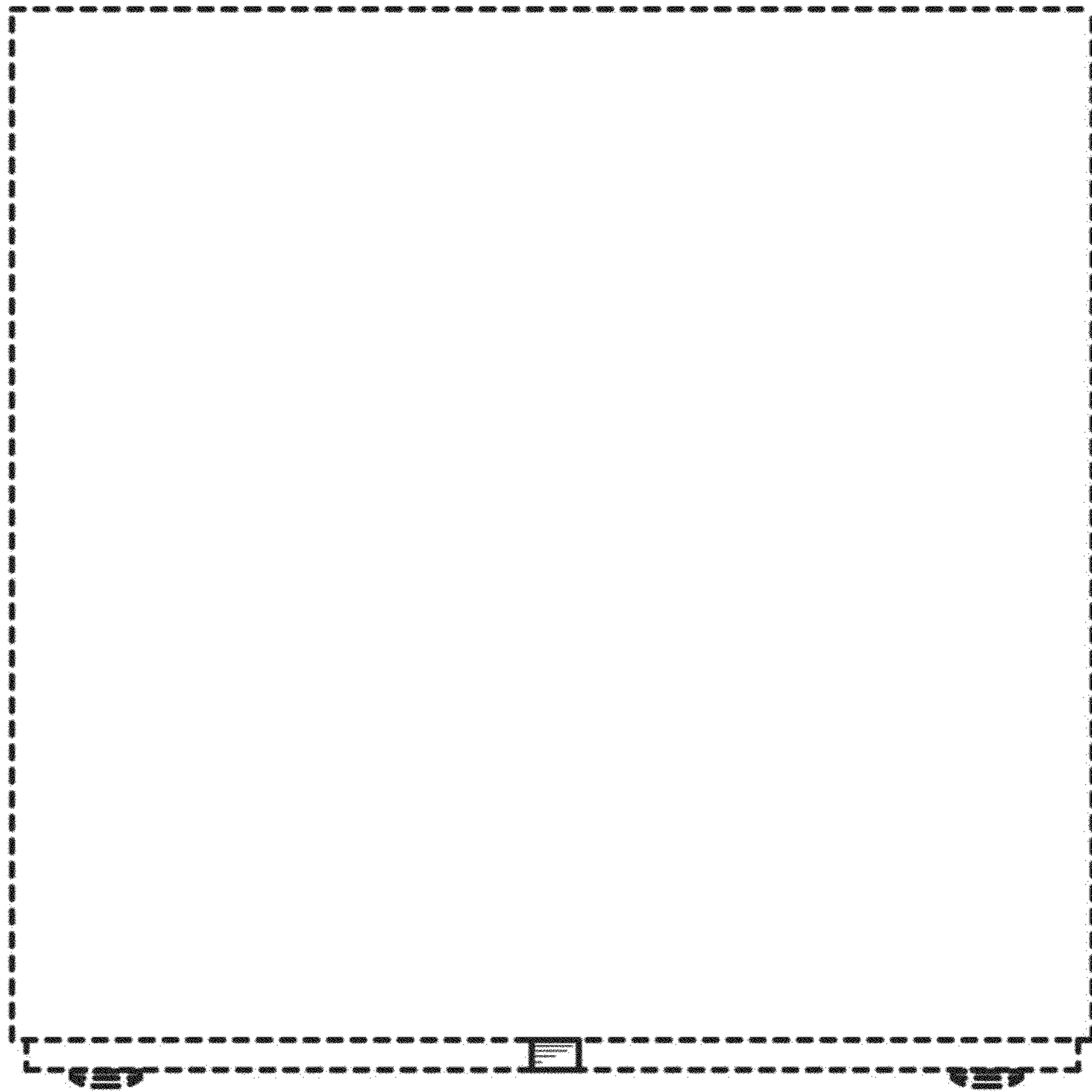


**FIG. 3**

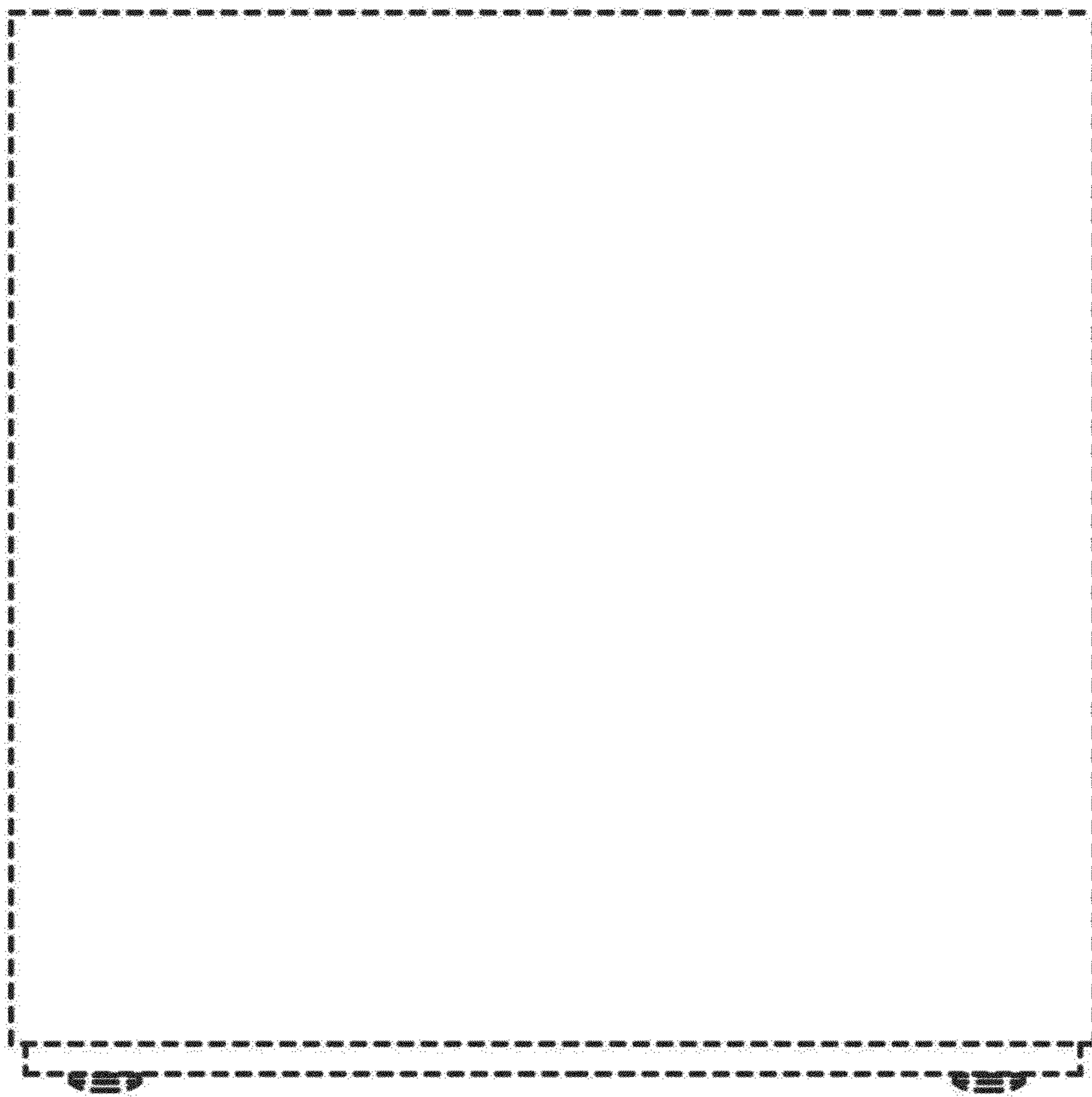




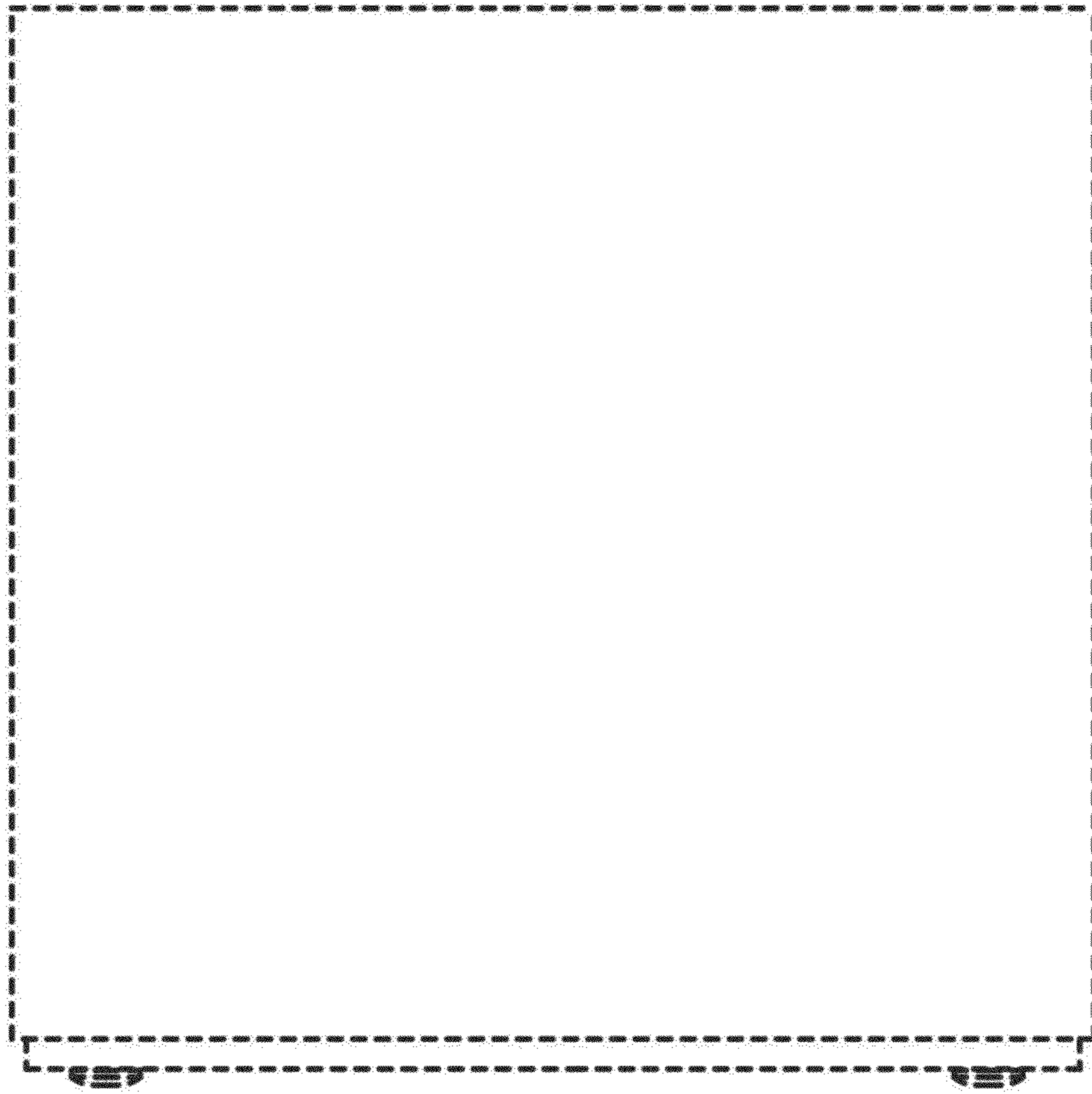
**FIG. 4**



**FIG. 5**



**FIG. 6**



**FIG. 7**