



US00D760186S

(12) **United States Design Patent**
Wen et al.

(10) **Patent No.:** **US D760,186 S**
(45) **Date of Patent:** **** Jun. 28, 2016**

(54) **PART OF ROOF-MOUNTED MEDIA PLAYER**

(71) Applicant: **JET OPTOELECTRONICS CO., LTD.**, Taipei (TW)

(72) Inventors: **Michael Tai-Hao Wen**, Taipei (TW);
Hsin-Ying Lu, Taipei (TW)

(73) Assignee: **JET OPTOELECTRONICS CO., LTD.**, Taipei (TW)

(**) Term: **15 Years**

(21) Appl. No.: **29/530,872**

(22) Filed: **Jun. 19, 2015**

(51) **LOC (10) Cl.** **14-03**

(52) **U.S. Cl.**
USPC **D14/203.4**; D21/330; D21/333

(58) **Field of Classification Search**
USPC D21/324–333, 369, 385; 273/148 B,
273/148 R, 461; D14/495, 338, 339, 348,
D14/356, 432, 433, 471, 474, 137, 160, 168,
D14/188–181, 219, 265, 257, 509, 510, 183,
D14/184; 345/156–161, 1.1; 455/344–351;
369/6–12; 463/1, 29–35, 46, 47;
16/321, 337; 248/176.1, 915, 921;
285/188, 231–234, 304, 330
CPC G06F 1/00; G06F 1/1633; G06F 1/1613;
G05F 1/16; H05K 5/00; A63F 9/00
See application file for complete search history.

(56) **References Cited**

U.S. PATENT DOCUMENTS

5,898,600 A * 4/1999 Isashi G06F 1/1618
345/169
6,085,204 A * 7/2000 Chijiwa G06F 15/0225
715/246

6,400,351 B1 * 6/2002 Ishizawa G06F 1/1616
345/156
6,512,497 B1 * 1/2003 Kondo G06F 3/147
345/1.1
6,771,494 B2 * 8/2004 Shimano G06F 1/1616
345/173
D559,327 S * 1/2008 Luk D21/330
D577,018 S * 9/2008 Lin D14/345
D614,183 S * 4/2010 Mason D14/345
D669,541 S * 10/2012 Mercier D21/330
D682,264 S * 5/2013 Kim D14/345
D711,369 S * 8/2014 Eriksson D14/341
D716,800 S * 11/2014 Lee D14/345

* cited by examiner

Primary Examiner — Prabhakar Deshmukh

(74) *Attorney, Agent, or Firm* — Li & Cai Intellectual Property (USA) Office

(57) **CLAIM**

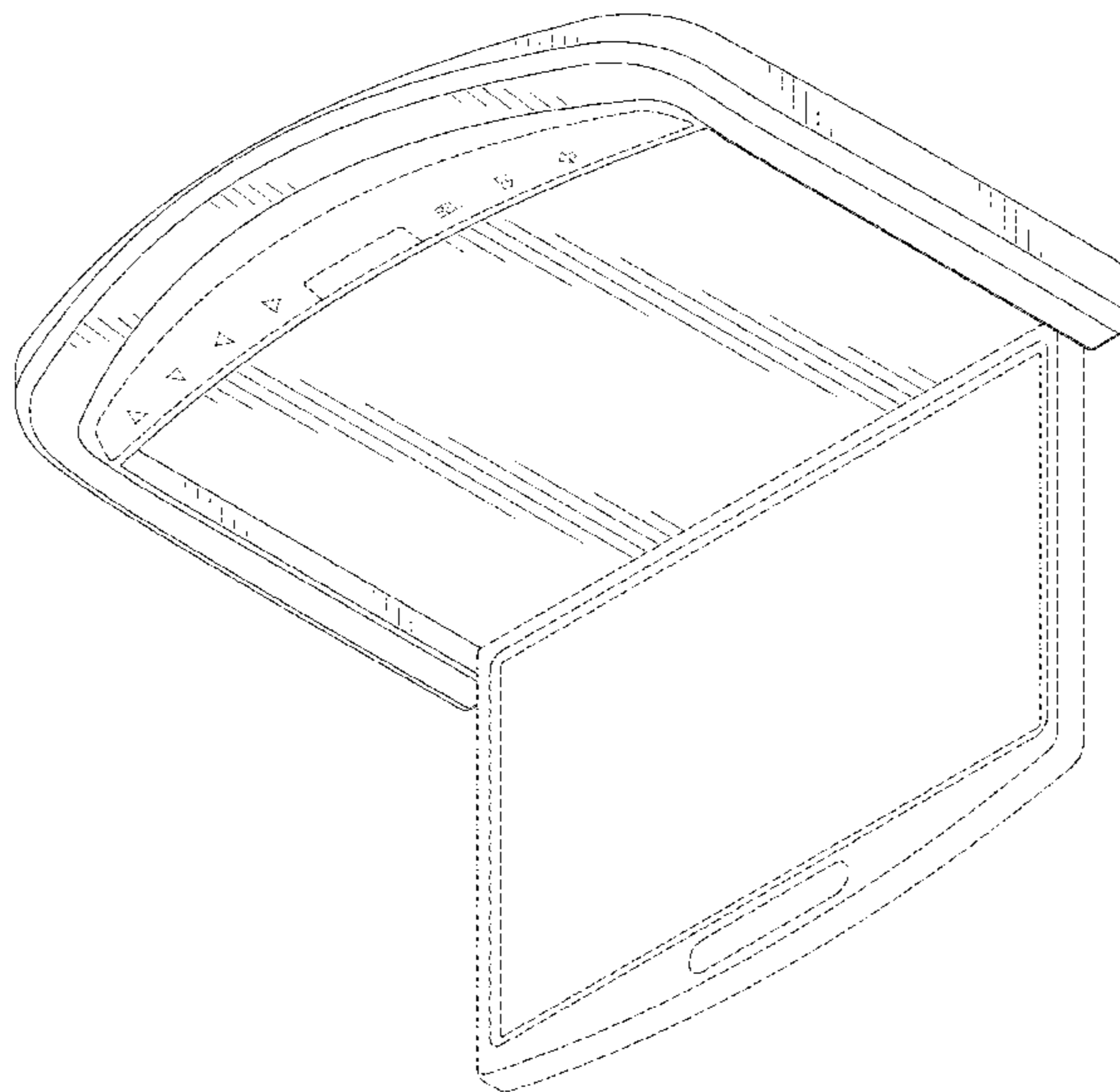
The ornamental design for a “part of roof-mounted media player,” as shown and described.

DESCRIPTION

FIG. 1 is a perspective view of a part of roof-mounted media player showing our new design;
FIG. 2 is a front view thereof;
FIG. 3 is a rear view thereof;
FIG. 4 is a left side view thereof;
FIG. 5 is a right side view thereof;
FIG. 6 is a top view thereof;
FIG. 7 is a bottom view thereof; and,
FIG. 8 is a perspective view viewed from another visual angle thereof.

The broken line showing of the environment is for illustrative purposes only and forms no part of the claimed design.

1 Claim, 8 Drawing Sheets



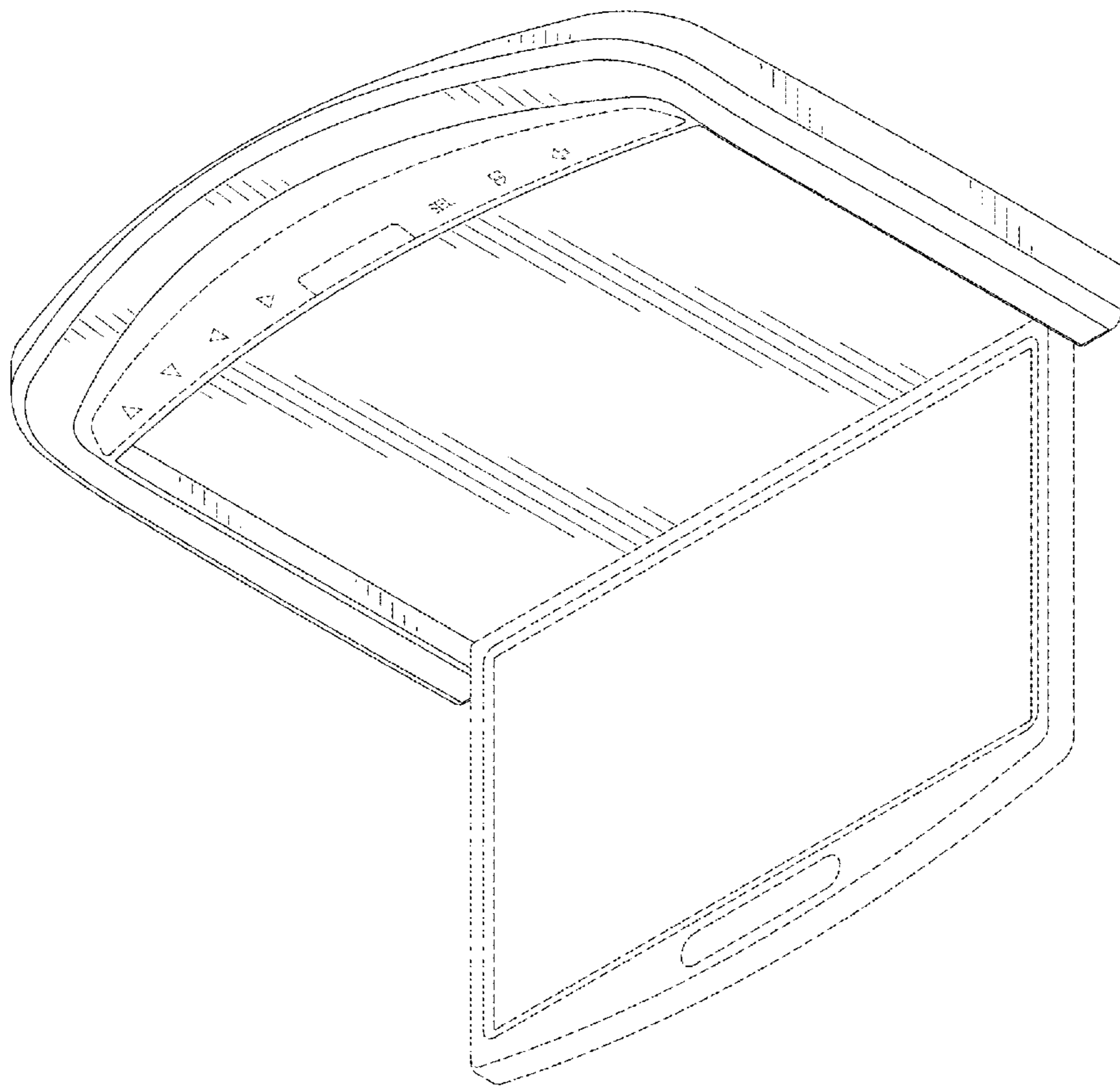


FIG.1

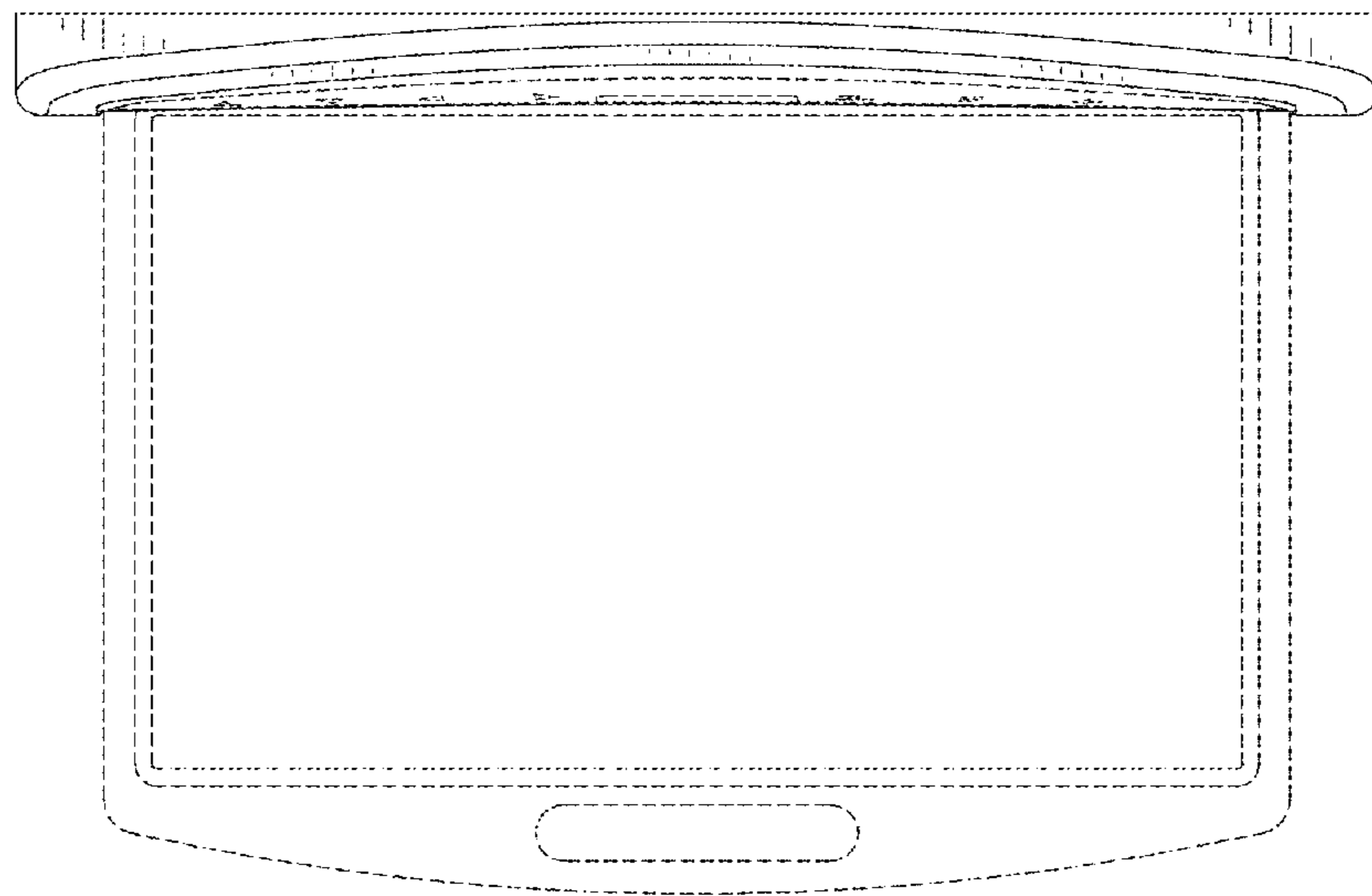


FIG.2

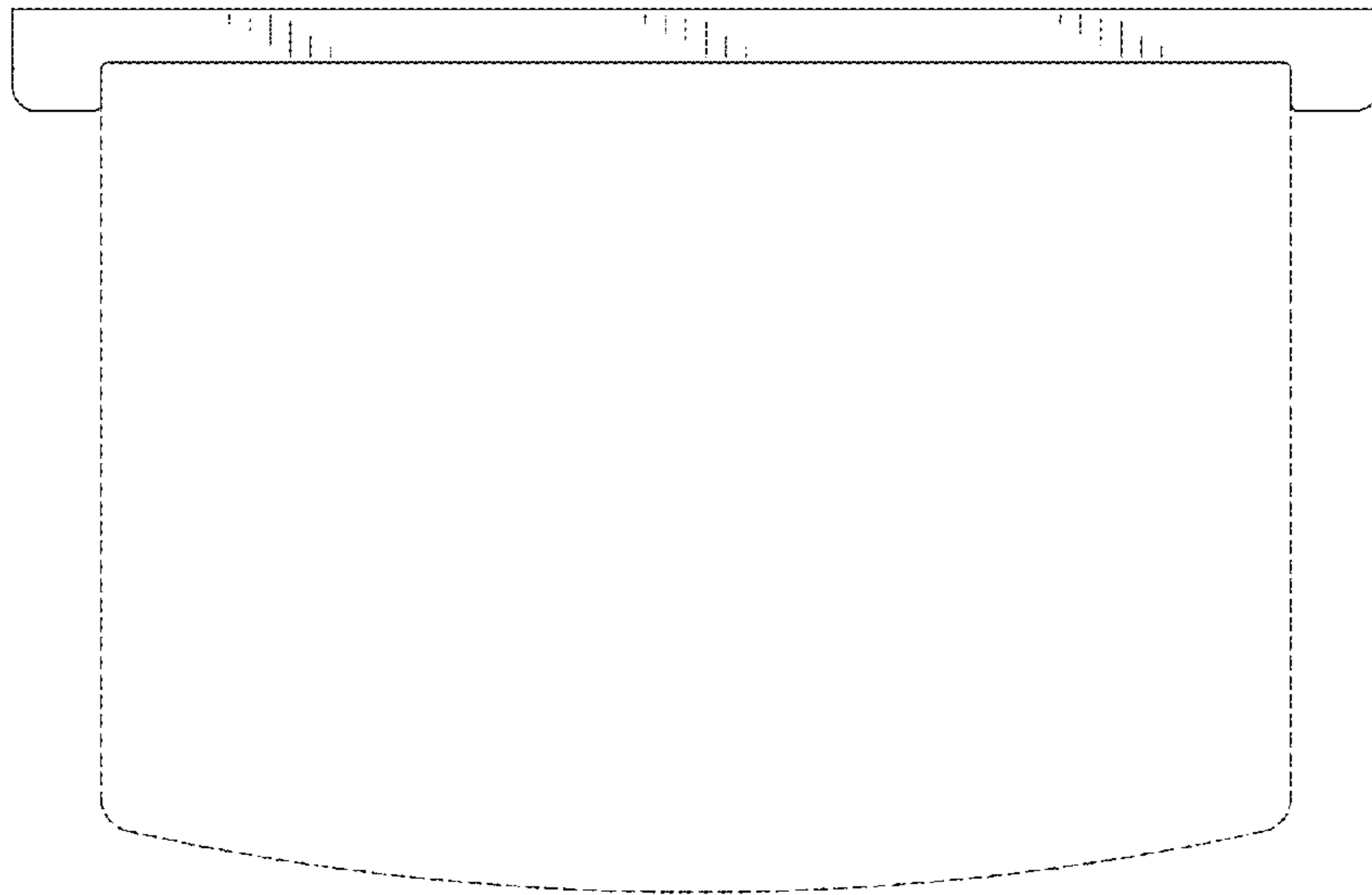


FIG.3

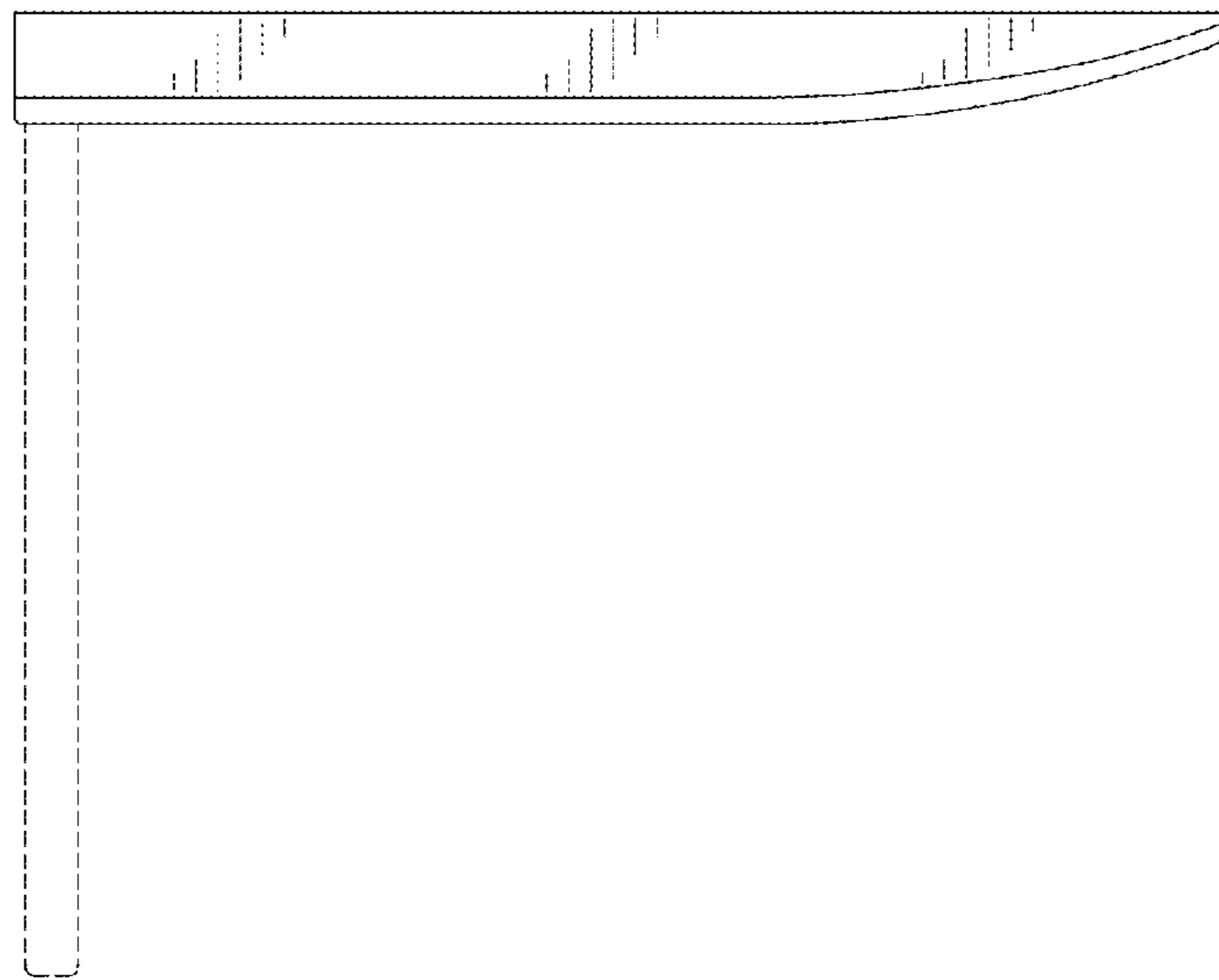


FIG.4

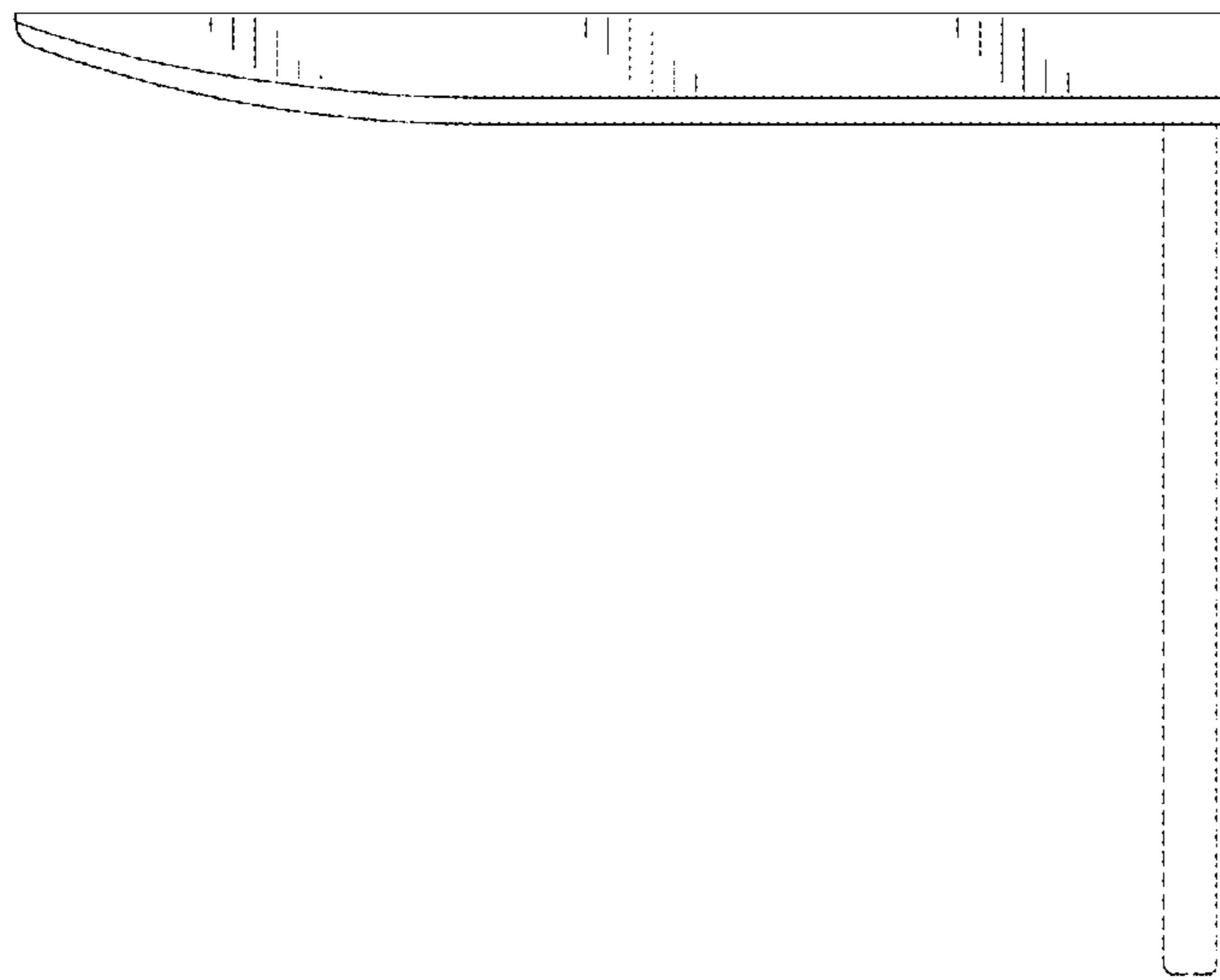


FIG.5

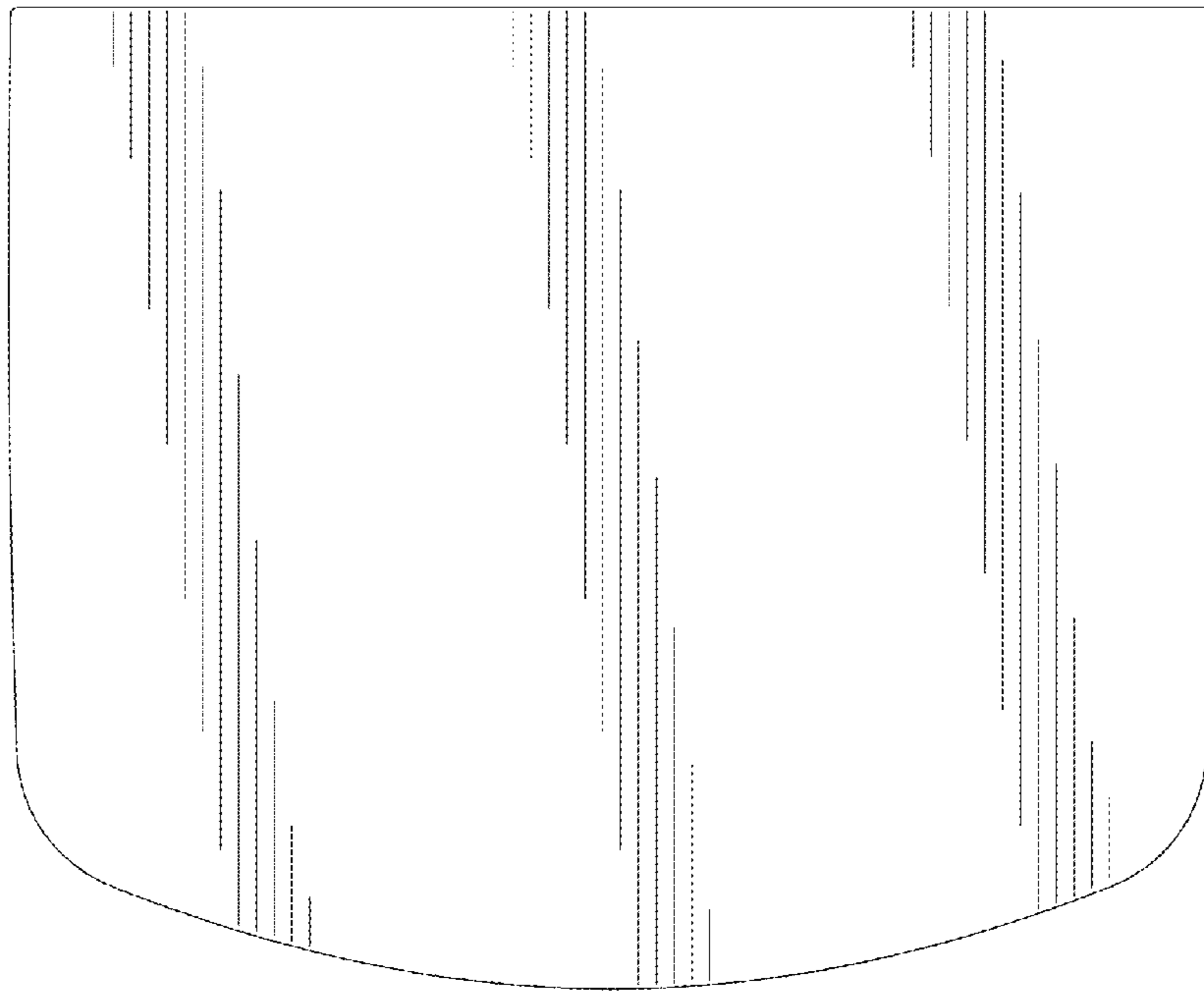


FIG.6

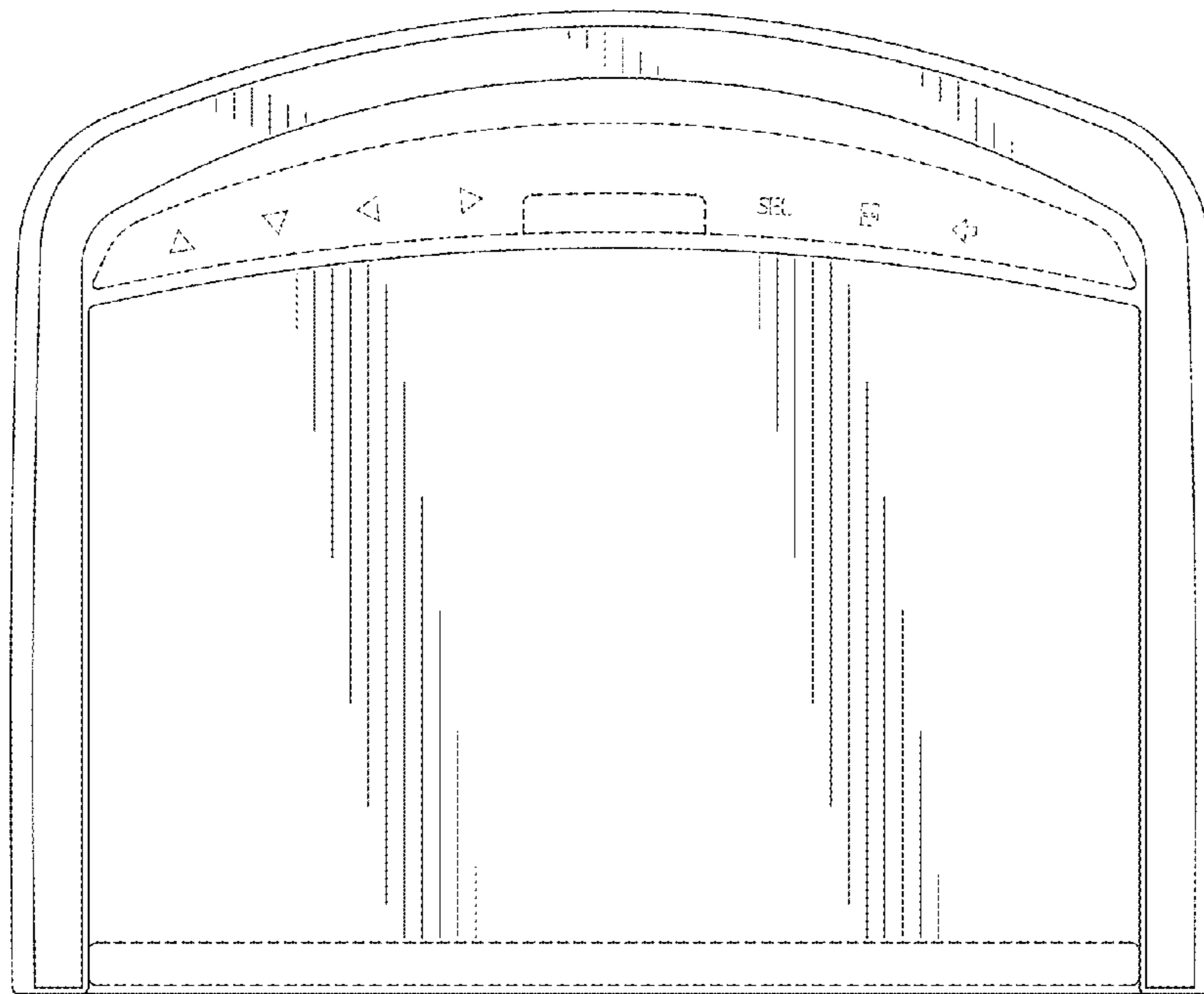


FIG. 7

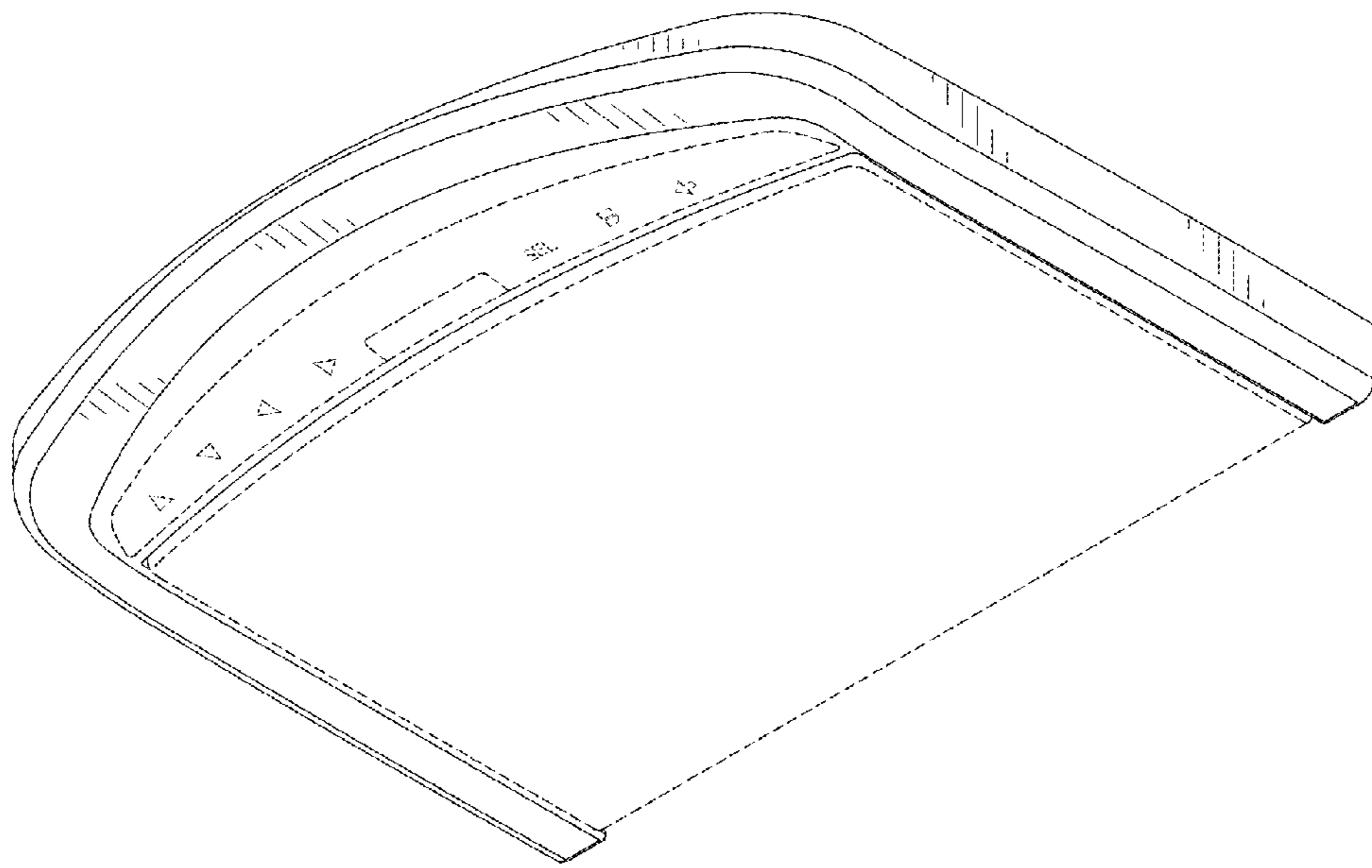


FIG.8