



US00D760185S

(12) **United States Design Patent**  
**Lu**

(10) **Patent No.:** **US D760,185 S**  
(45) **Date of Patent:** **\*\* Jun. 28, 2016**

(54) **PART OF ROOF-MOUNTED MEDIA PLAYER WITH SLIDING RAILS**

(71) Applicant: **JET OPTOELECTRONICS CO., LTD.**, Taipei (TW)

(72) Inventor: **Hsin-Ying Lu**, Taipei (TW)

(73) Assignee: **JET OPTOELECTRONICS CO., LTD.**, Taipei (TW)

(\*\*) Term: **14 Years**

(21) Appl. No.: **29/524,971**

(22) Filed: **Apr. 24, 2015**

(30) **Foreign Application Priority Data**

Apr. 8, 2015 (TW) ..... 104301815

(51) **LOC (10) Cl.** ..... **14-03**

(52) **U.S. Cl.**  
USPC ..... **D14/203.4; D21/330; D21/333**

(58) **Field of Classification Search**  
USPC ..... D21/324–333, 369, 385; 273/148 B, 273/148 R, 461; D14/495, 338, 339, 348, D14/356, 432, 433, 471, 474, 137, 160, 168, D14/188–181, 219, 265, 257, 509, 510, 183, D14/184; 345/156–161, 1.1; 455/344–351; 369/6–12; 463/1, 29–35, 46, 47; 16/321, 337; 248/176.1, 915, 921; 285/188, 231–234, 304, 330  
CPC ..... G06F 1/00; G06F 1/1633; G06F 1/1613; G05F 1/16; H05K 5/00; A63F 9/00

See application file for complete search history.

(56) **References Cited**

U.S. PATENT DOCUMENTS

5,898,600	A *	4/1999	Isashi .....	G06F 1/1618 345/169
6,085,204	A *	7/2000	Chijiwa .....	G06F 15/0225 715/246
6,400,351	B1 *	6/2002	Ishizawa .....	G06F 1/1616 345/156
6,512,497	B1 *	1/2003	Kondo .....	G06F 3/147 345/1.1
6,771,494	B2 *	8/2004	Shimano .....	G06F 1/1616 345/173
D559,327	S *	1/2008	Luk .....	D21/330
D577,018	S *	9/2008	Lin .....	D14/345
D614,183	S *	4/2010	Mason .....	D14/345
D669,541	S *	10/2012	Mercier .....	D21/330
D682,264	S *	5/2013	Kim .....	D14/345
D711,369	S *	8/2014	Eriksson .....	D14/341
D716,800	S *	11/2014	Lee .....	D14/345

\* cited by examiner

*Primary Examiner* — Prabhakar Deshmukh

(74) *Attorney, Agent, or Firm* — Li & Cai Intellectual Property (USA) Office

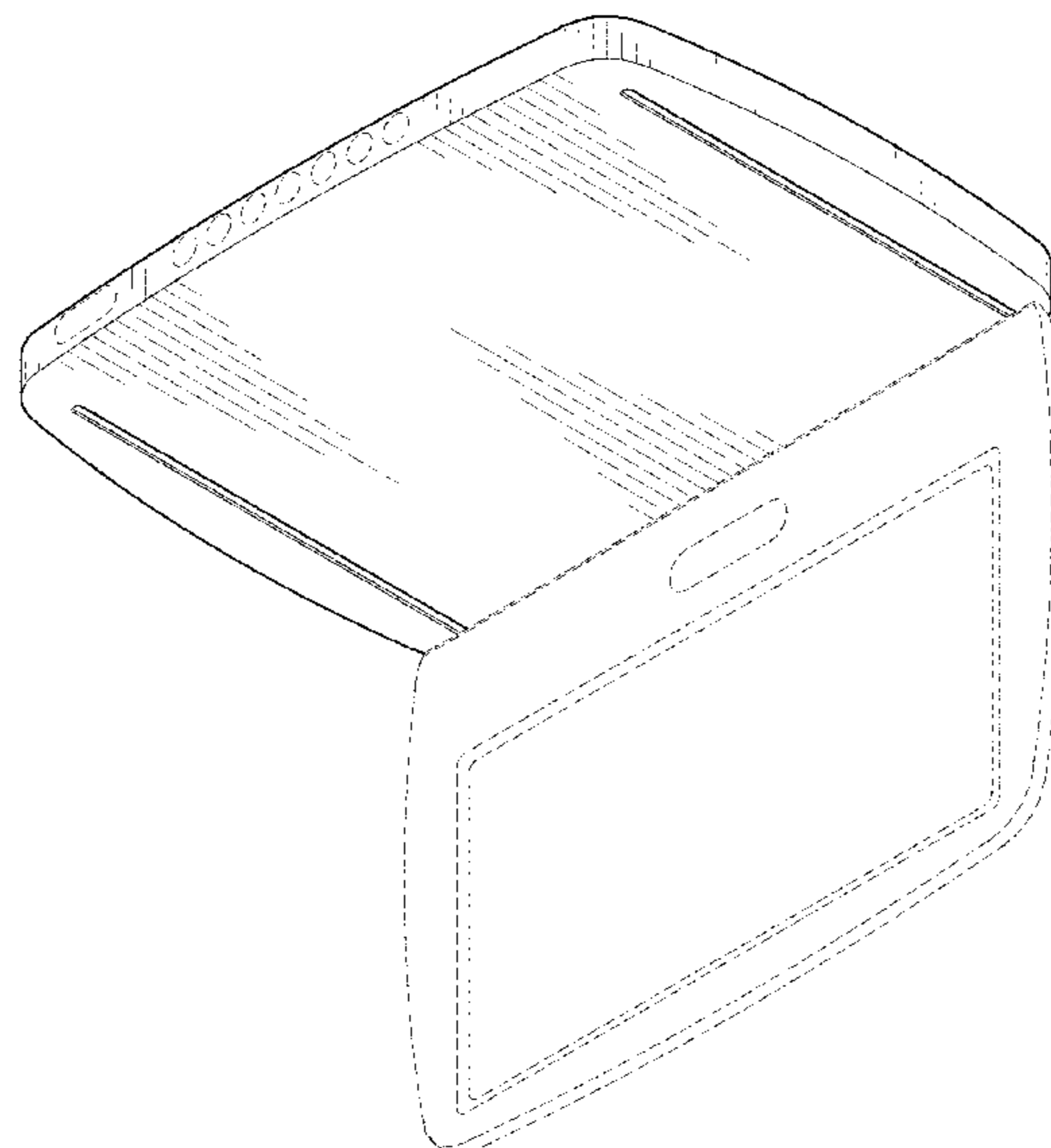
(57) **CLAIM**

The ornamental design for a “part of roof-mounted media player with sliding rails,” as shown and described.

**DESCRIPTION**

FIG. 1 is a perspective view of a part of roof-mounted media player with sliding rails showing our new design; FIG. 2 is a front view thereof; FIG. 3 is a rear view thereof; FIG. 4 is a left side view thereof; FIG. 5 is a right side view thereof; FIG. 6 is a top view thereof; FIG. 7 is a bottom view thereof; FIG. 8 is a perspective view in a usage condition thereof; and, FIG. 9 is a perspective view with the screen folded thereof. The broken line showing of the environment is for illustrative purposes only and forms no part of the claimed design.

**1 Claim, 9 Drawing Sheets**



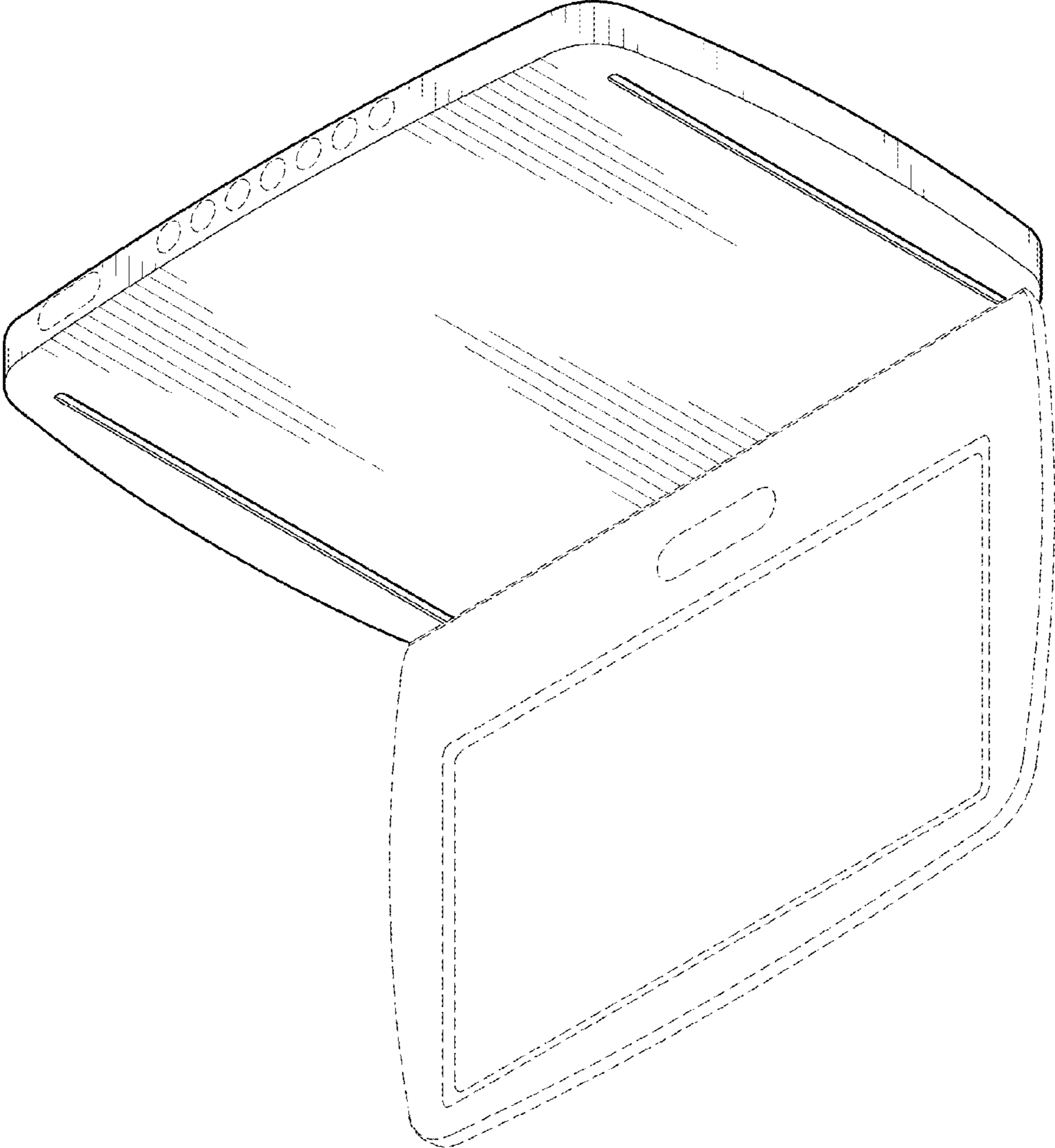


FIG.1

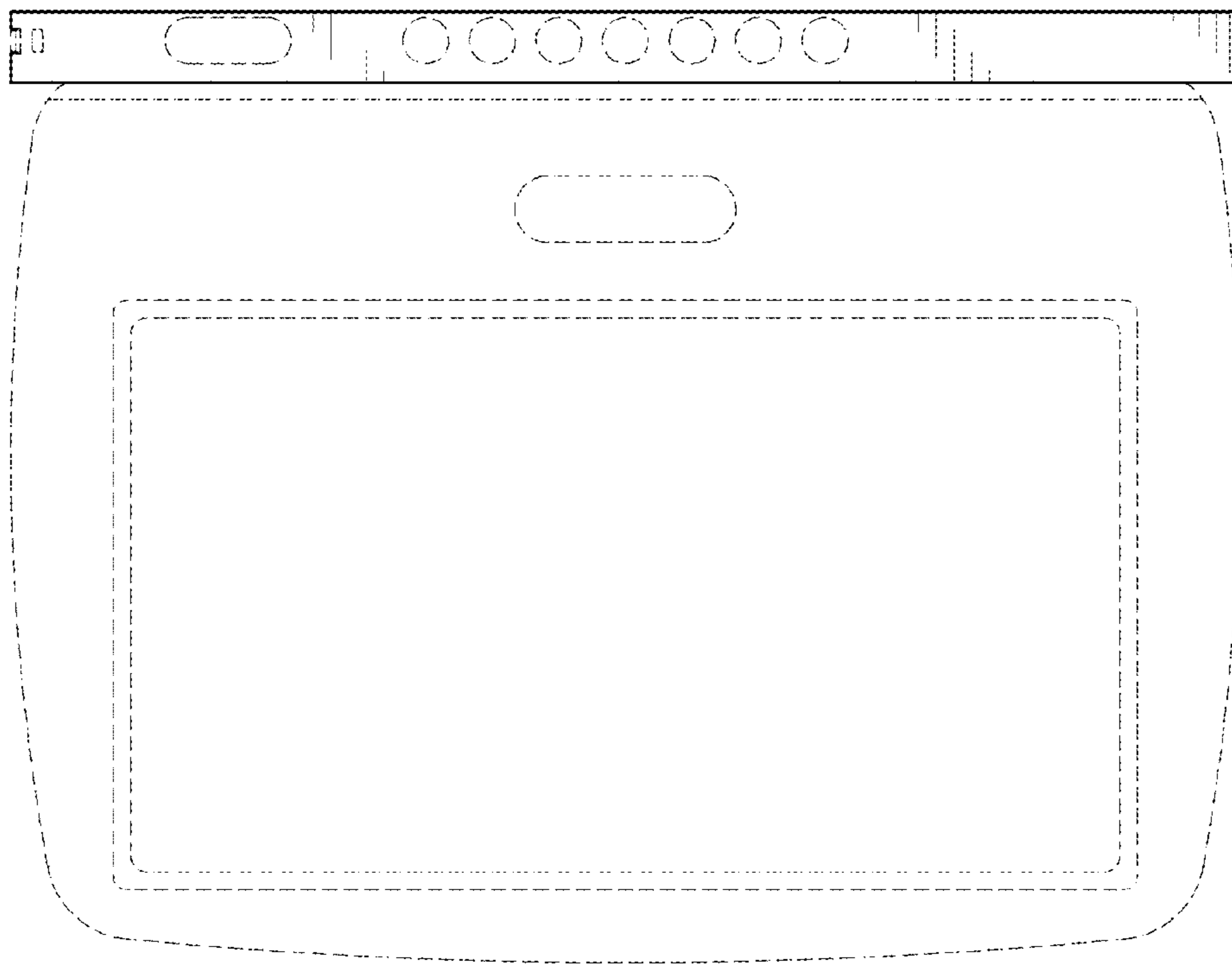


FIG.2

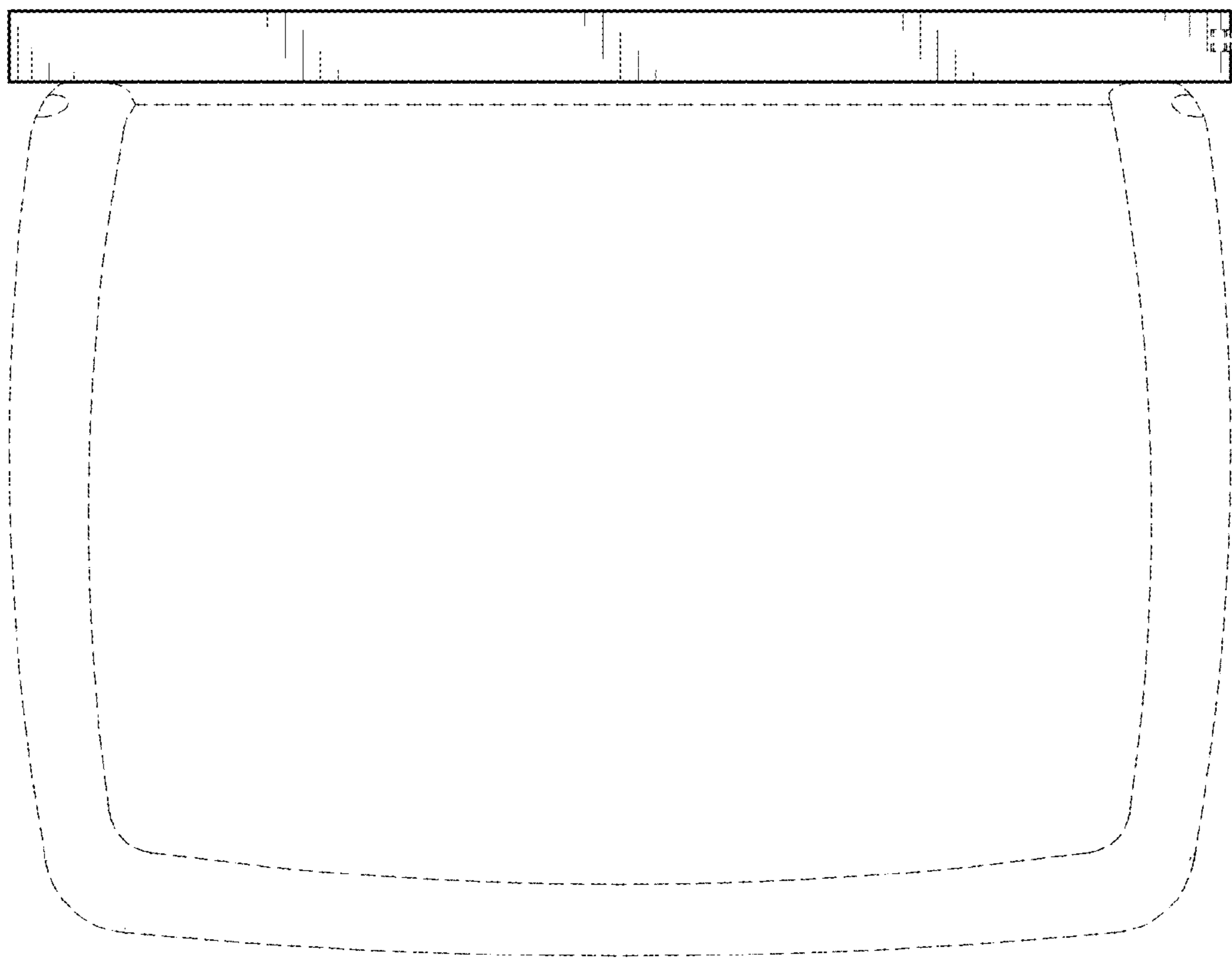


FIG.3

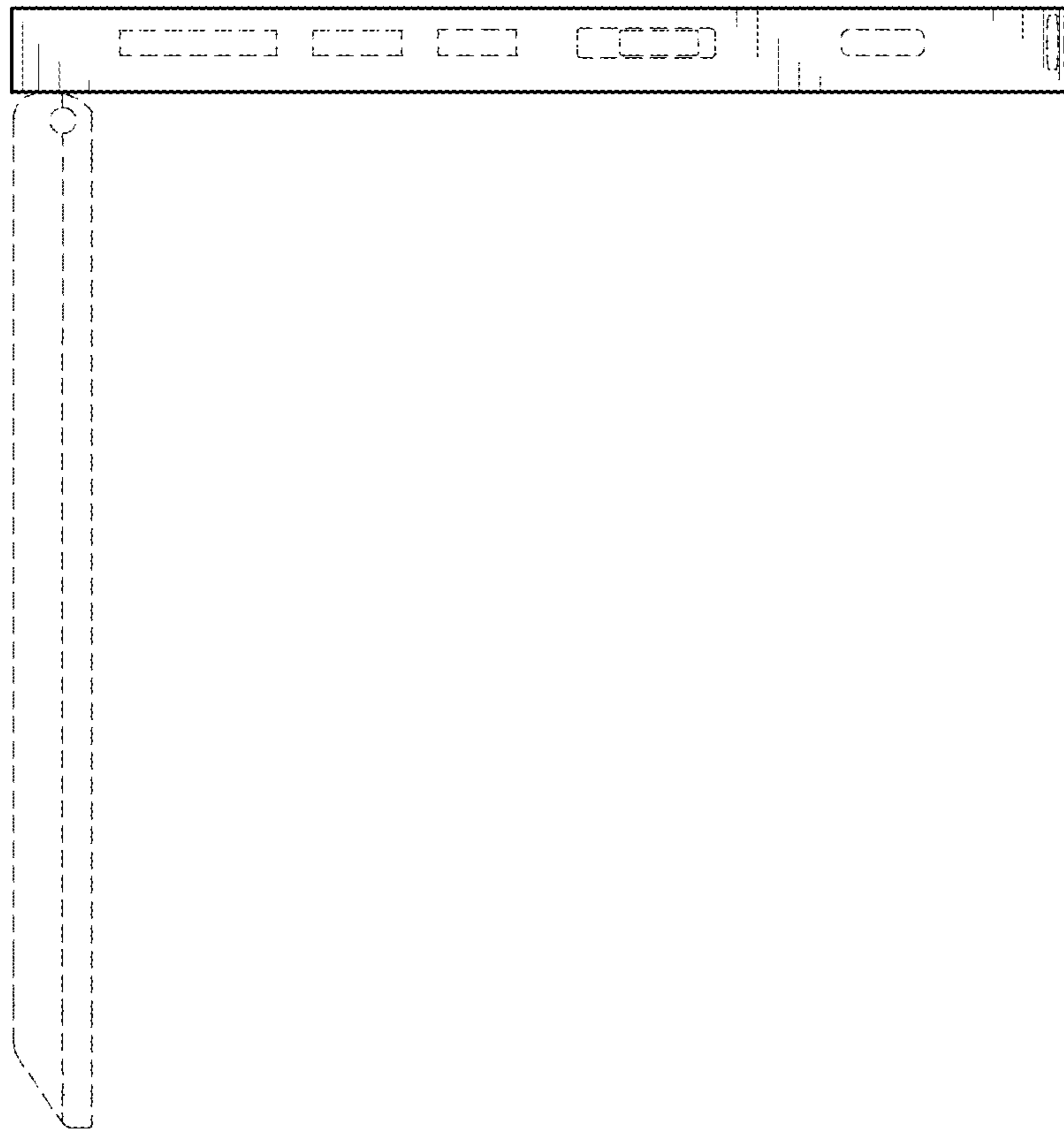


FIG.4

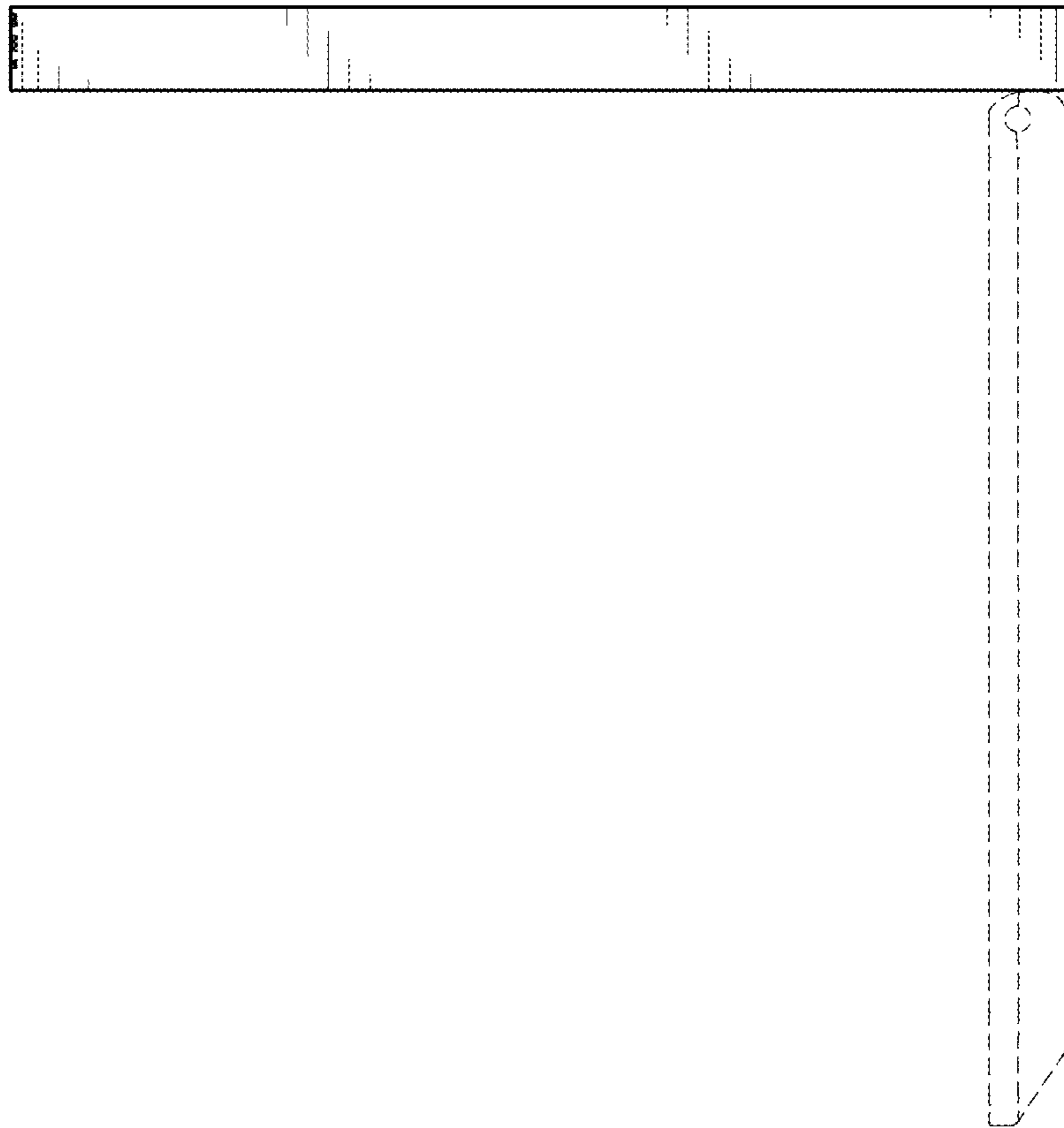


FIG.5

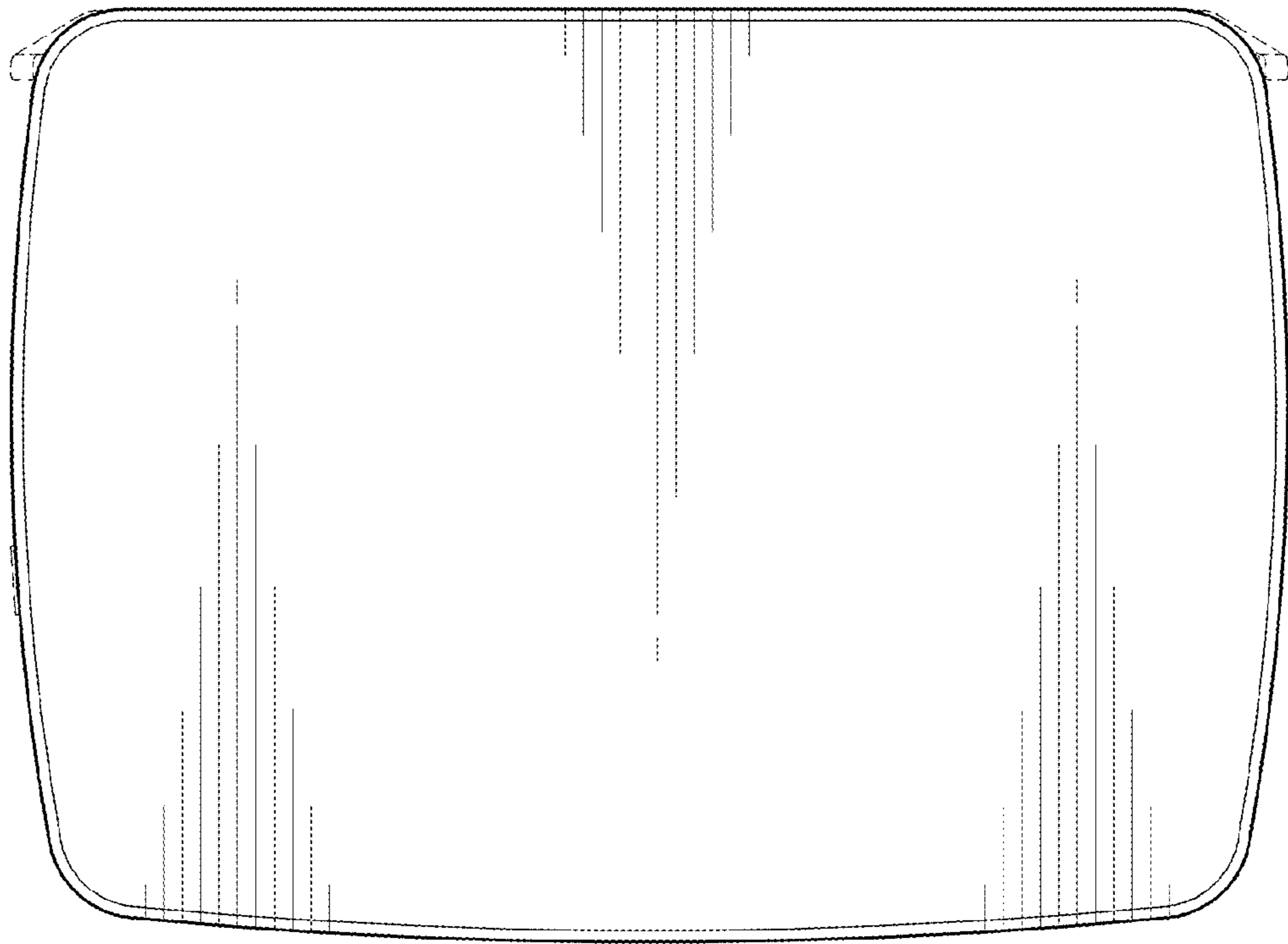


FIG. 6

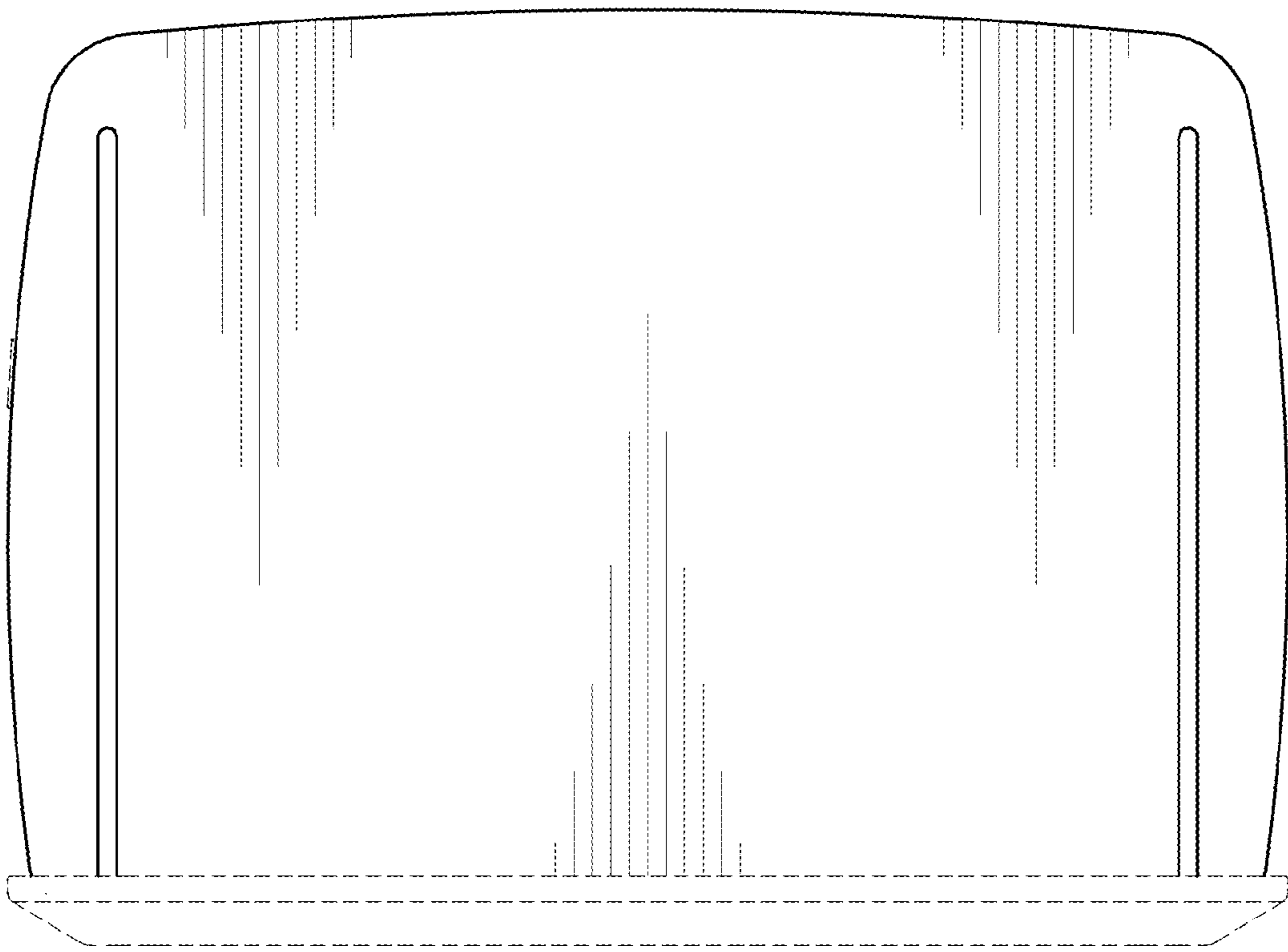


FIG. 7



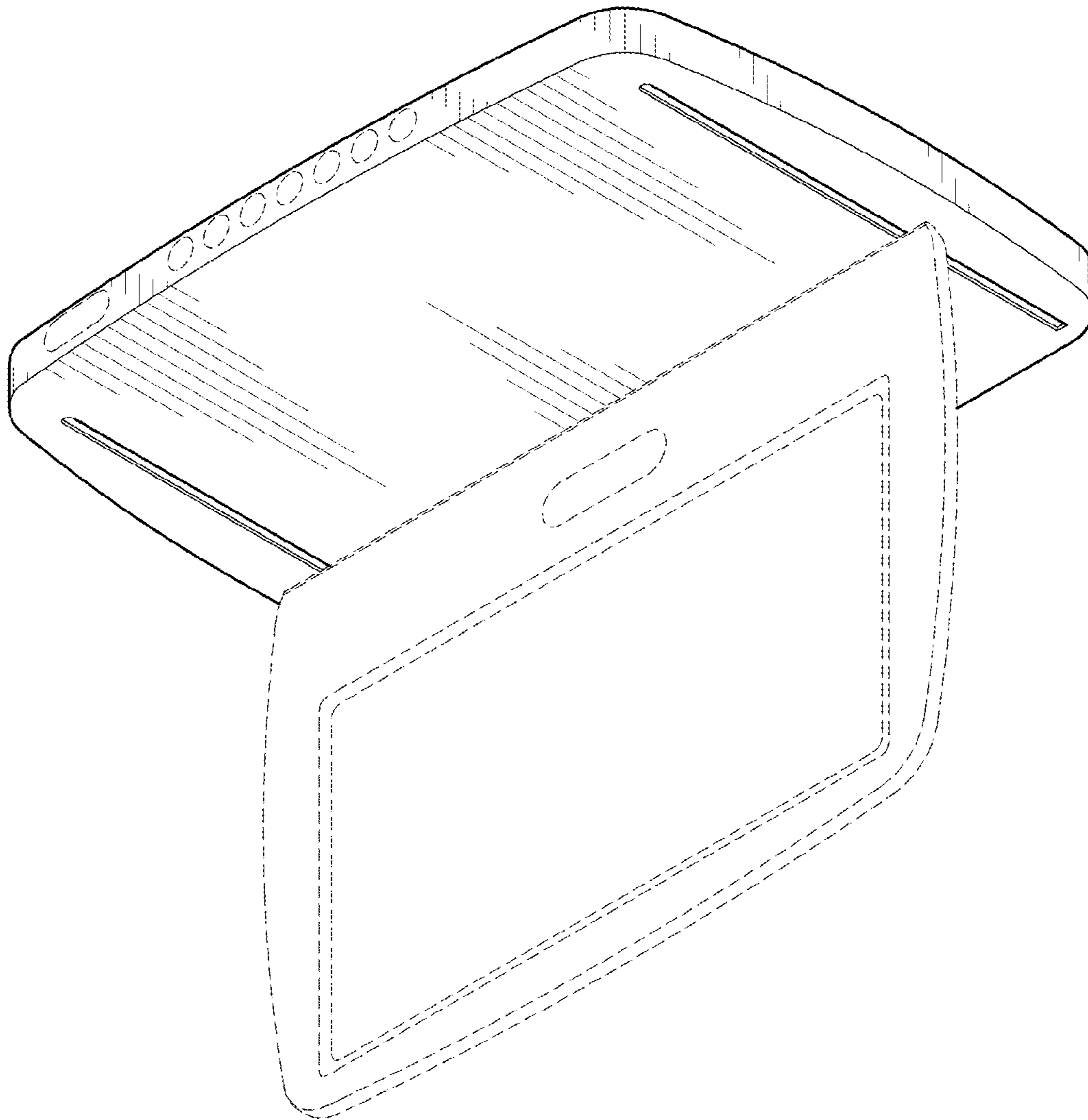


FIG.8

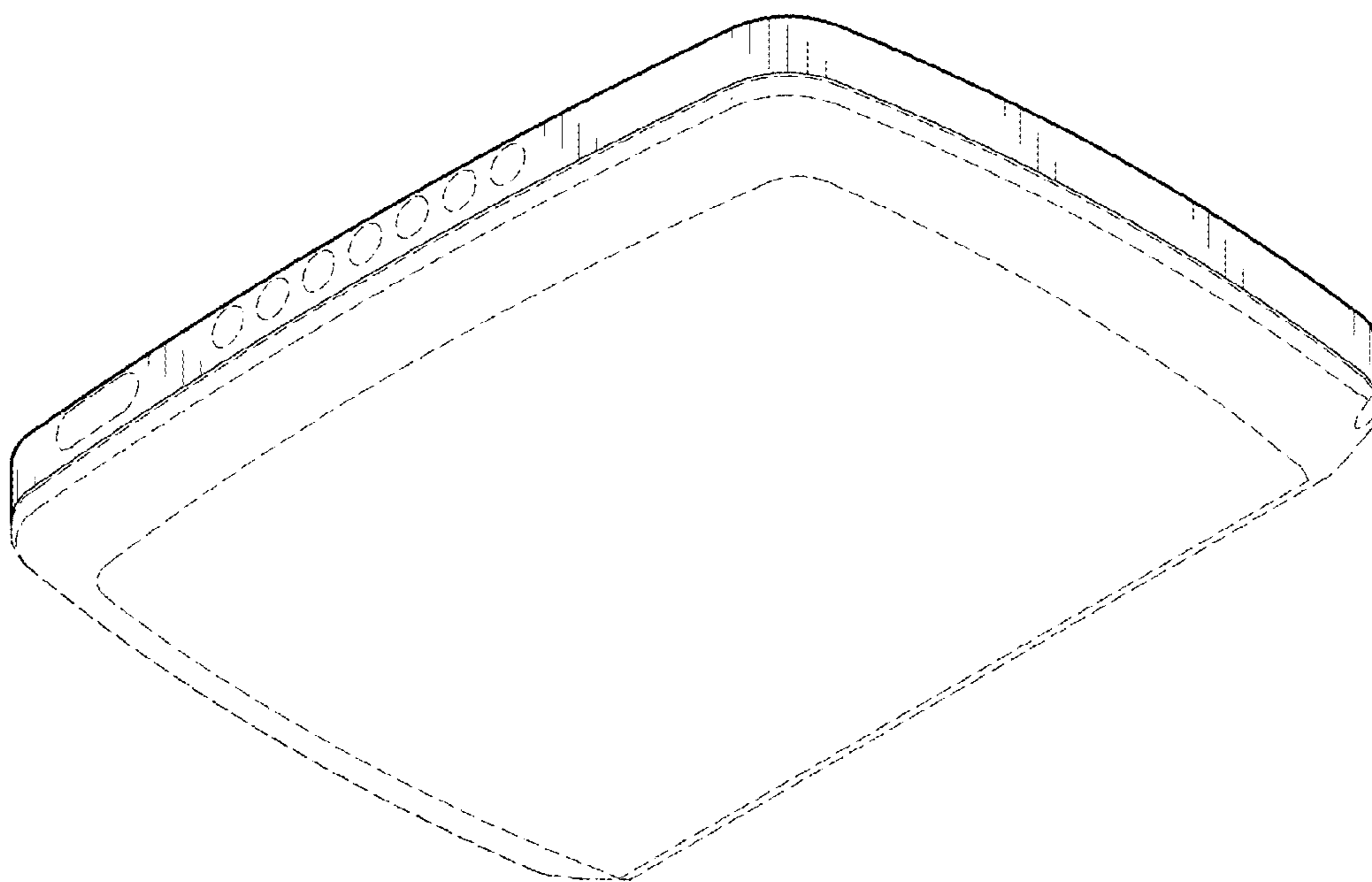


FIG.9