



US00D760184S

(12) **United States Design Patent**
Lu et al.

(10) **Patent No.:** **US D760,184 S**
(45) **Date of Patent:** **** Jun. 28, 2016**

(54) **PART OF ROOF-MOUNTED MEDIA PLAYER WITH A LIGHT STRIP**

(56) **References Cited**

U.S. PATENT DOCUMENTS

(71) Applicant: **JET OPTOELECTRONICS CO., LTD.**, Taipei (TW)

5,898,600 A * 4/1999 Isashi G06F 1/1618
345/169

(72) Inventors: **Hsin-Ying Lu**, Taipei (TW); **Michael Tai-Hao Wen**, Taipei (TW)

6,085,204 A * 7/2000 Chijiwa G06F 15/0225
715/246

(73) Assignee: **JET OPTOELECTRONICS CO., LTD.**, Taipei (TW)

6,400,351 B1 * 6/2002 Ishizawa G06F 1/1616
345/156

(**) Term: **14 Years**

6,512,497 B1 * 1/2003 Kondo G06F 3/147
345/1.1

(21) Appl. No.: **29/524,909**

6,771,494 B2 * 8/2004 Shimano G06F 1/1616
345/173

(22) Filed: **Apr. 24, 2015**

D559,327 S * 1/2008 Luk D21/330

D577,018 S * 9/2008 Lin D14/345

D614,183 S * 4/2010 Mason D14/345

D669,541 S * 10/2012 Mercier D21/330

D682,264 S * 5/2013 Kim D14/345

D711,369 S * 8/2014 Eriksson D14/341

D716,800 S * 11/2014 Lee D14/345

* cited by examiner

(30) **Foreign Application Priority Data**

Mar. 13, 2015 (TW) 104301276

Primary Examiner — Prabhakar Deshmukh

(74) *Attorney, Agent, or Firm* — Li & Cai Intellectual Property (USA) Office

(51) **LOC (10) Cl.** **14-03**

(52) **U.S. Cl.**
USPC **D14/203.4**; D21/330; D21/333

(57) **CLAIM**

The ornamental design for a “part of roof-mounted media player with a light strip,” as shown and described.

(58) **Field of Classification Search**

USPC D21/324–333, 369, 385; 273/148 B, 273/148 R, 461; D14/495, 338, 339, 348, D14/356, 432, 433, 471, 474, 137, 160, 168, D14/188–181, 219, 265, 257, 509, 510, 183, D14/184; 345/156–161, 1.1; 455/344–351; 369/6–12; 463/1, 29–35, 46, 47; 16/321, 337; 248/176.1, 915, 921; 285/188, 231–234, 304, 330

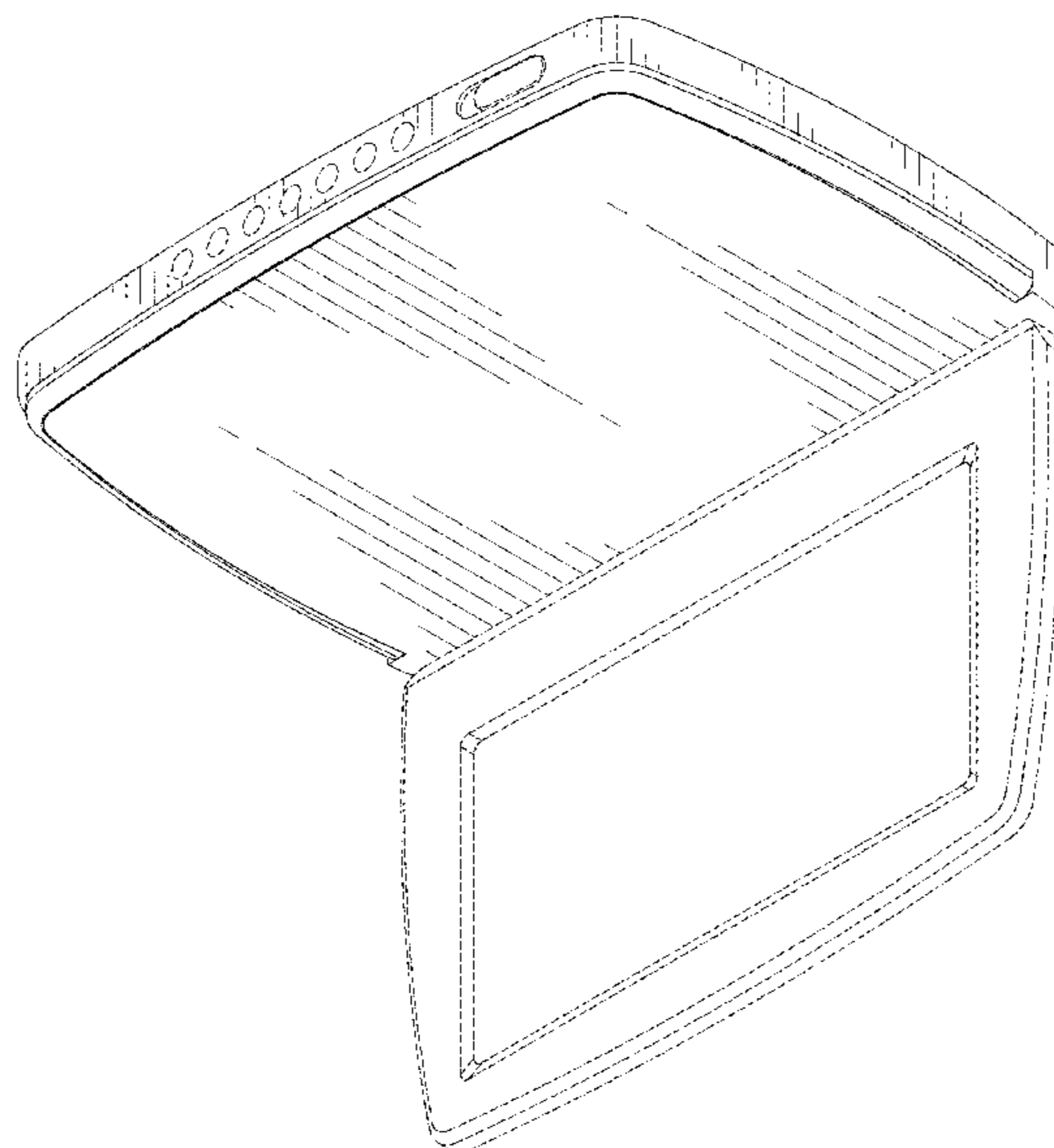
CPC G06F 1/00; G06F 1/1633; G06F 1/1613; G05F 1/16; H05K 5/00; A63F 9/00

See application file for complete search history.

DESCRIPTION

FIG. 1 is a perspective view of a part of roof-mounted media player with a light strip showing our new design; FIG. 2 is a front view thereof; FIG. 3 is a rear view thereof; FIG. 4 is a left side view thereof; FIG. 5 is a right side view thereof; FIG. 6 is a top view thereof; FIG. 7 is a bottom view thereof; and, FIG. 8 is a perspective view with the screen folded thereof. The broken line showing of the environment is for illustrative purposes only and forms no part of the claimed design.

1 Claim, 8 Drawing Sheets



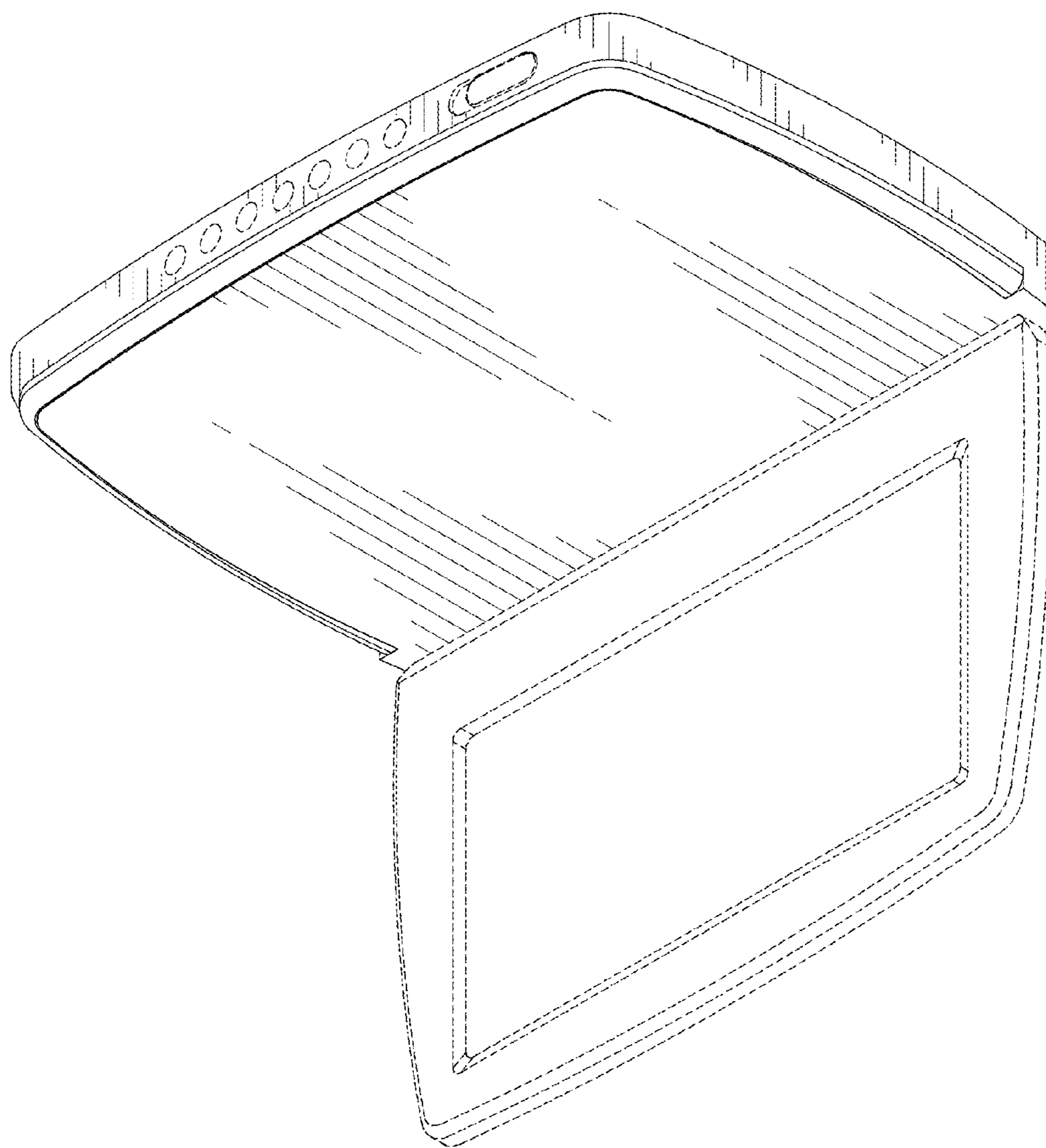


FIG.1

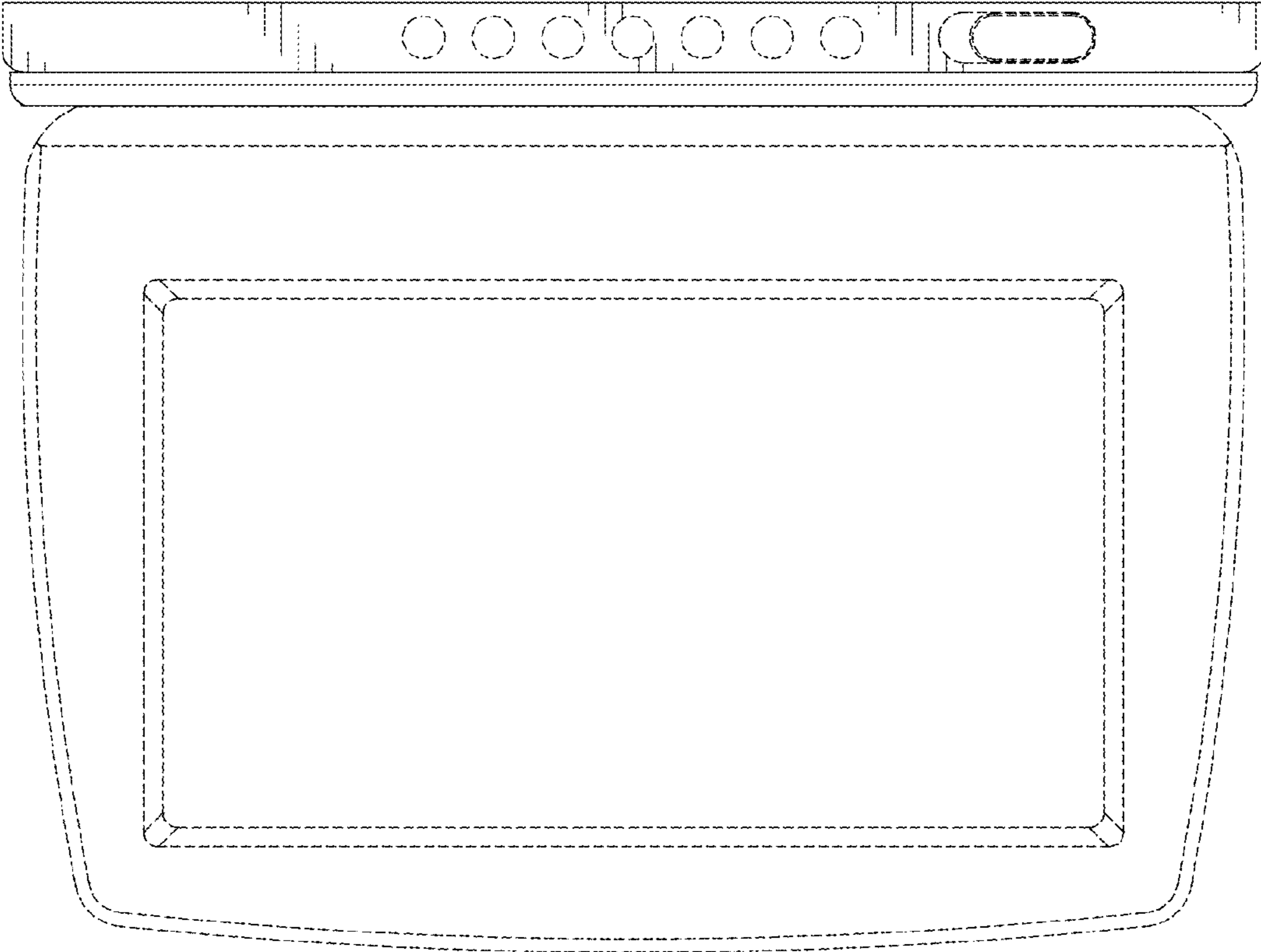


FIG.2

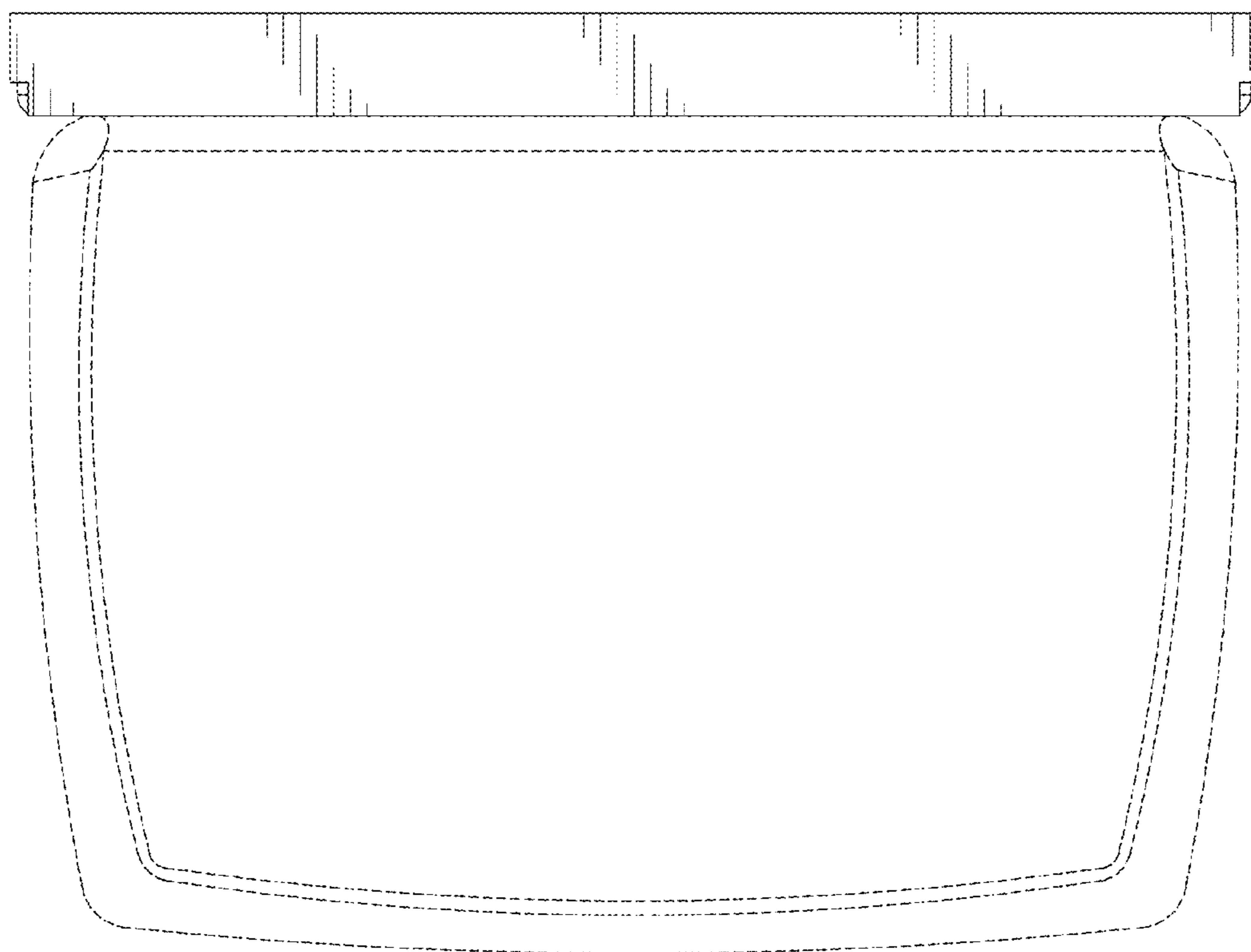


FIG.3

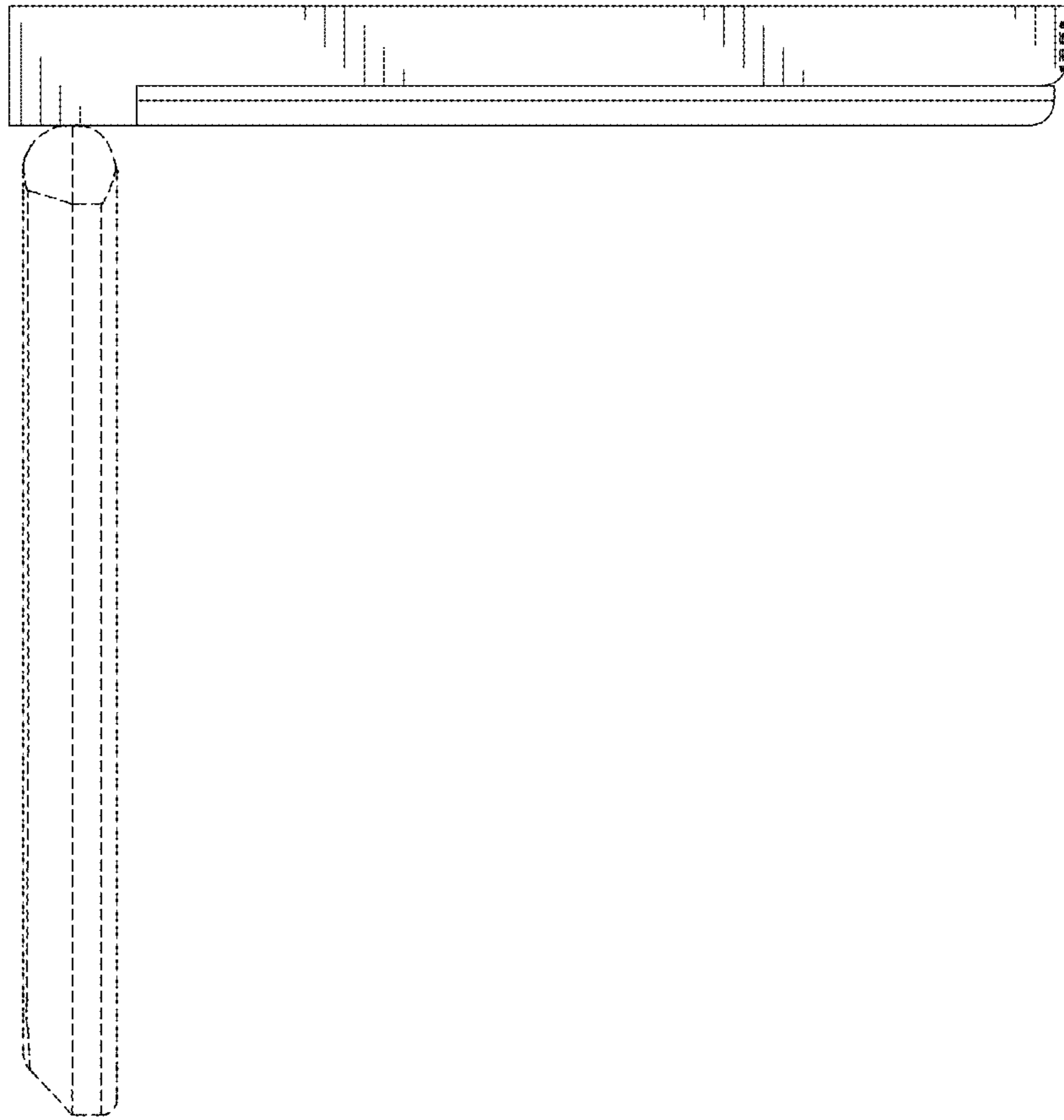


FIG.4

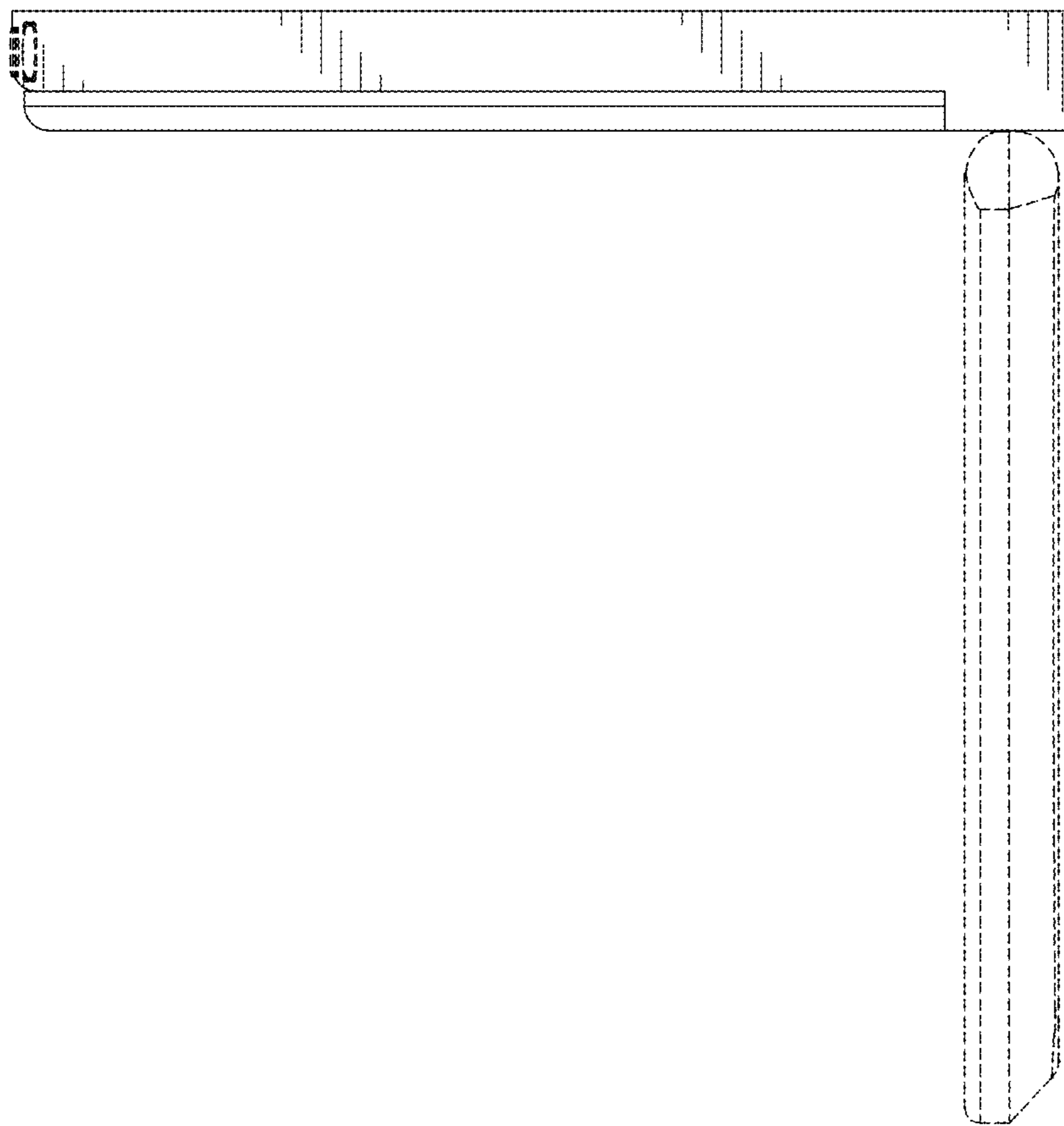


FIG.5

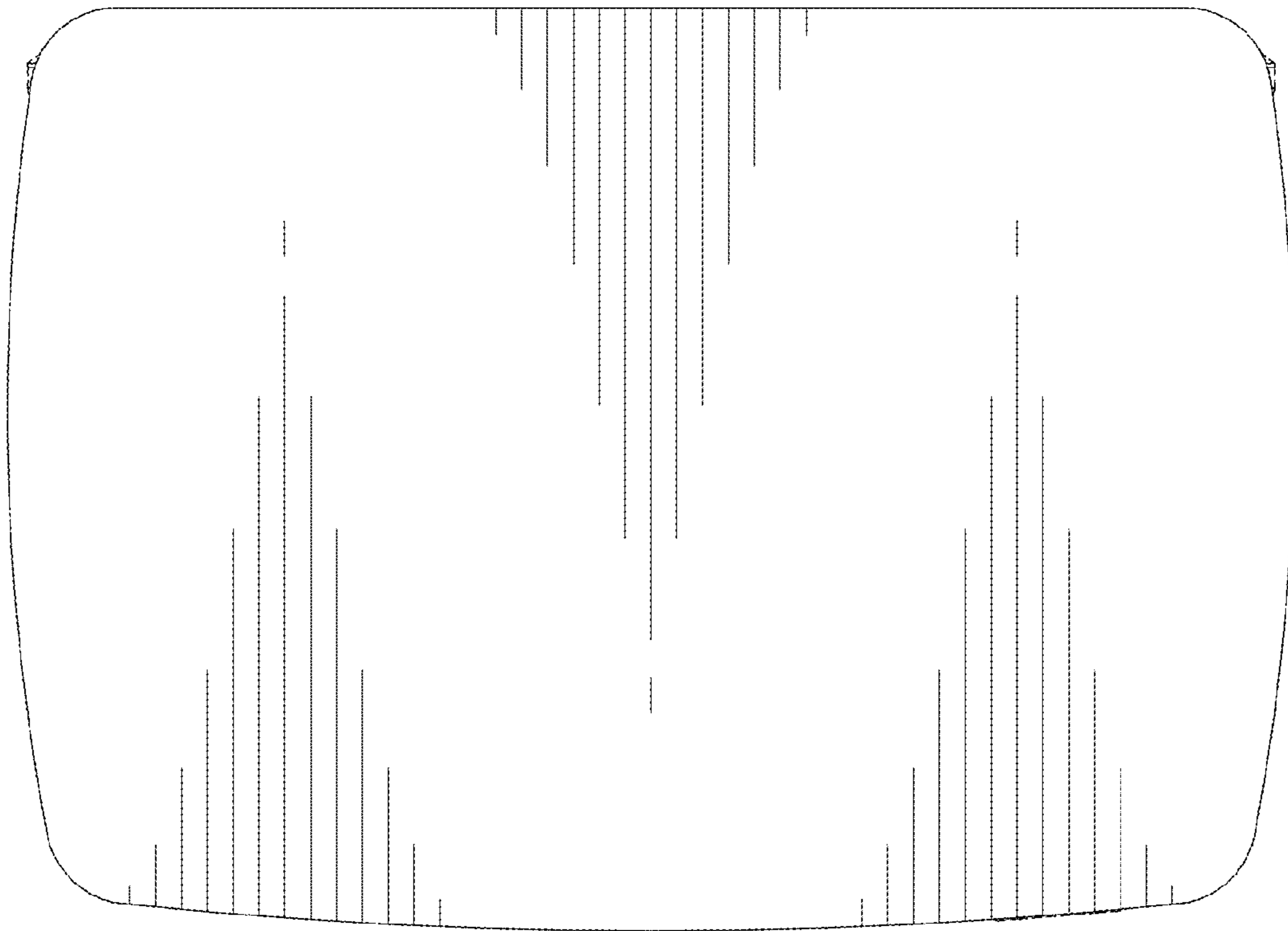


FIG.6

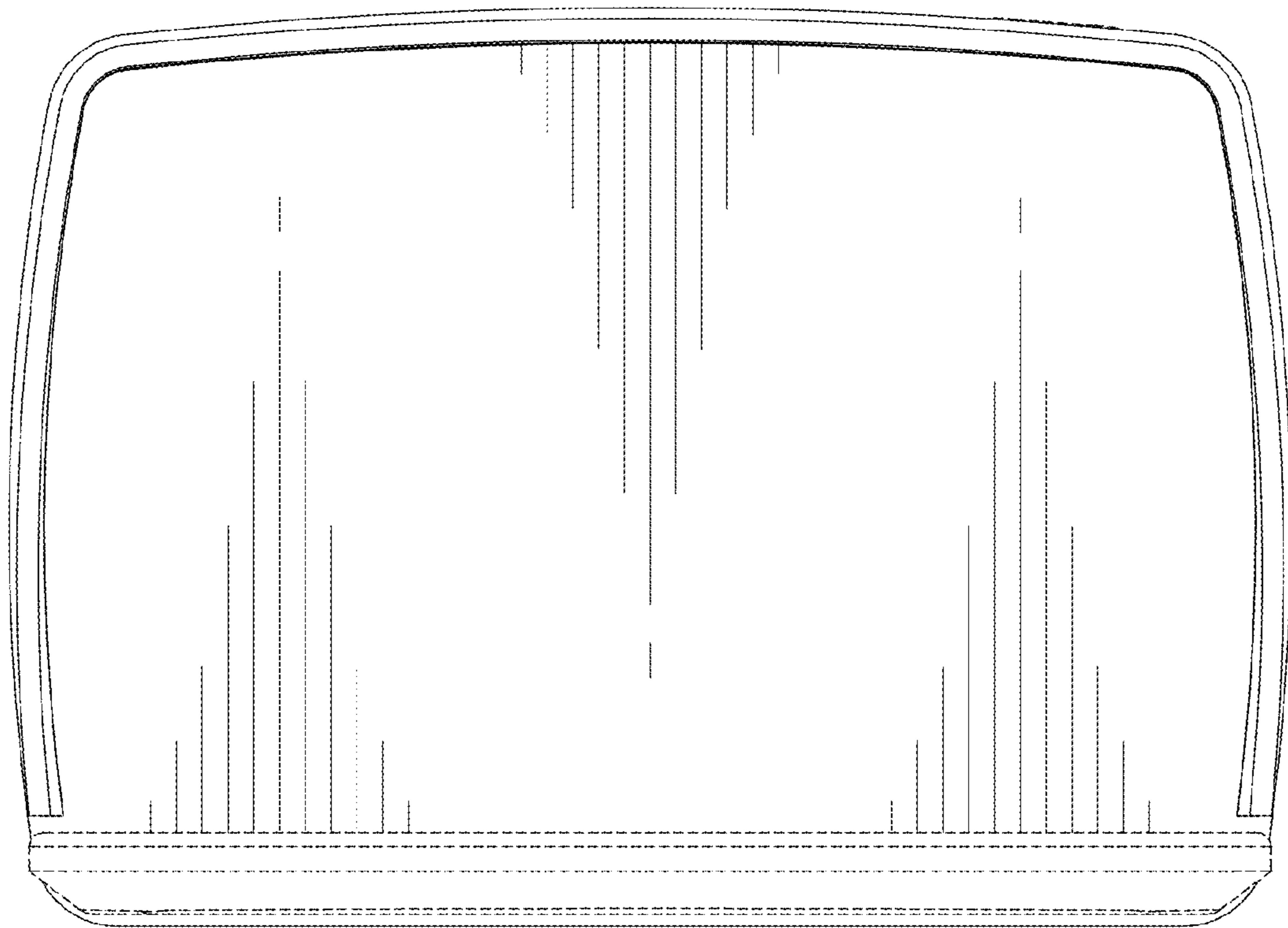


FIG.7

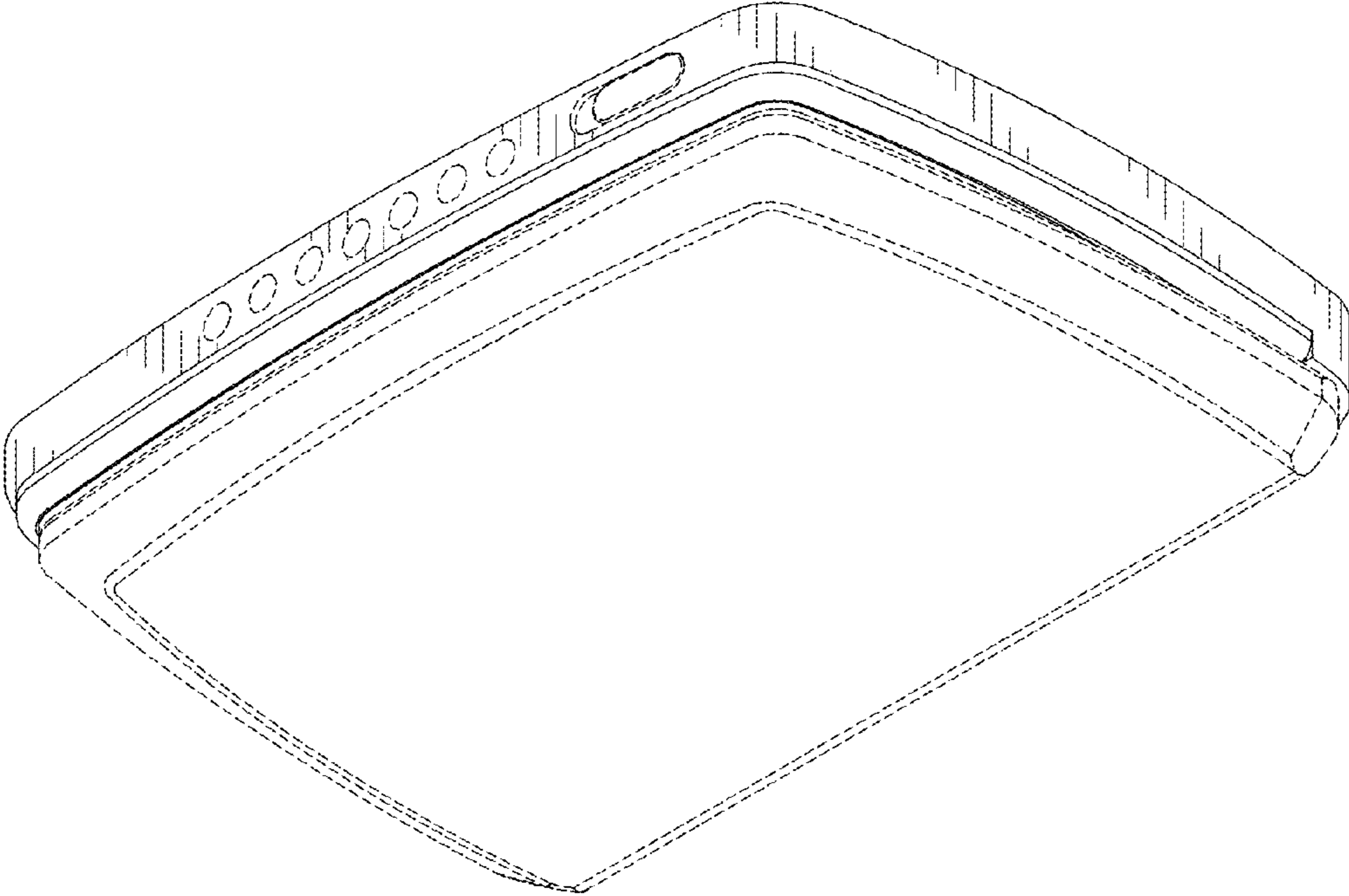


FIG.8