



US00D760183S

(12) **United States Design Patent**  
**Lu et al.**

(10) **Patent No.:** **US D760,183 S**  
(45) **Date of Patent:** **\*\* Jun. 28, 2016**

(54) **PART OF ROOF-MOUNTED MEDIA PLAYER**

(56) **References Cited**

(71) Applicant: **JET OPTOELECTRONICS CO., LTD.**, Taipei (TW)

U.S. PATENT DOCUMENTS

(72) Inventors: **Hsin-Ying Lu**, Taipei (TW); **Michael Tai-Hao Wen**, Taipei (TW)

5,898,600	A *	4/1999	Isashi .....	G06F 1/1618 345/169
6,085,204	A *	7/2000	Chijiwa .....	G06F 15/0225 715/246
6,400,351	B1 *	6/2002	Ishizawa .....	G06F 1/1616 345/156
6,512,497	B1 *	1/2003	Kondo .....	G06F 3/147 345/1.1
6,771,494	B2 *	8/2004	Shimano .....	G06F 1/1616 345/173
D559,327	S *	1/2008	Luk .....	D21/330
D577,018	S *	9/2008	Lin .....	D14/345
D614,183	S *	4/2010	Mason .....	D14/345
D669,541	S *	10/2012	Mercier .....	D21/330
D682,264	S *	5/2013	Kim .....	D14/345
D711,369	S *	8/2014	Eriksson .....	D14/341
D716,800	S *	11/2014	Lee .....	D14/345

(73) Assignee: **JET OPTOELECTRONICS CO., LTD.**, Taipei (TW)

(\*\*) Term: **14 Years**

(21) Appl. No.: **29/524,899**

(22) Filed: **Apr. 24, 2015**

(30) **Foreign Application Priority Data**

Mar. 13, 2015 (TW) ..... 104301275

(51) **LOC (10) Cl.** ..... **14-03**

(52) **U.S. Cl.**  
USPC ..... **D14/203.4**; D21/330; D21/333

(58) **Field of Classification Search**  
USPC ..... D21/324-333, 369, 385; 273/148 B,  
273/148 R, 461; D14/495, 338, 339, 348,  
D14/356, 432, 433, 471, 474, 137, 160, 168,  
D14/188-181, 219, 265, 257, 509, 510, 183,  
D14/184; 345/156-161, 1.1; 455/344-351;  
369/6-12; 463/1, 29-35, 46, 47;  
16/321, 337; 248/176.1, 915, 921;  
285/188, 231-234, 304, 330  
CPC ..... G06F 1/00; G06F 1/1633; G06F 1/1613;  
G05F 1/16; H05K 5/00; A63F 9/00

See application file for complete search history.

\* cited by examiner

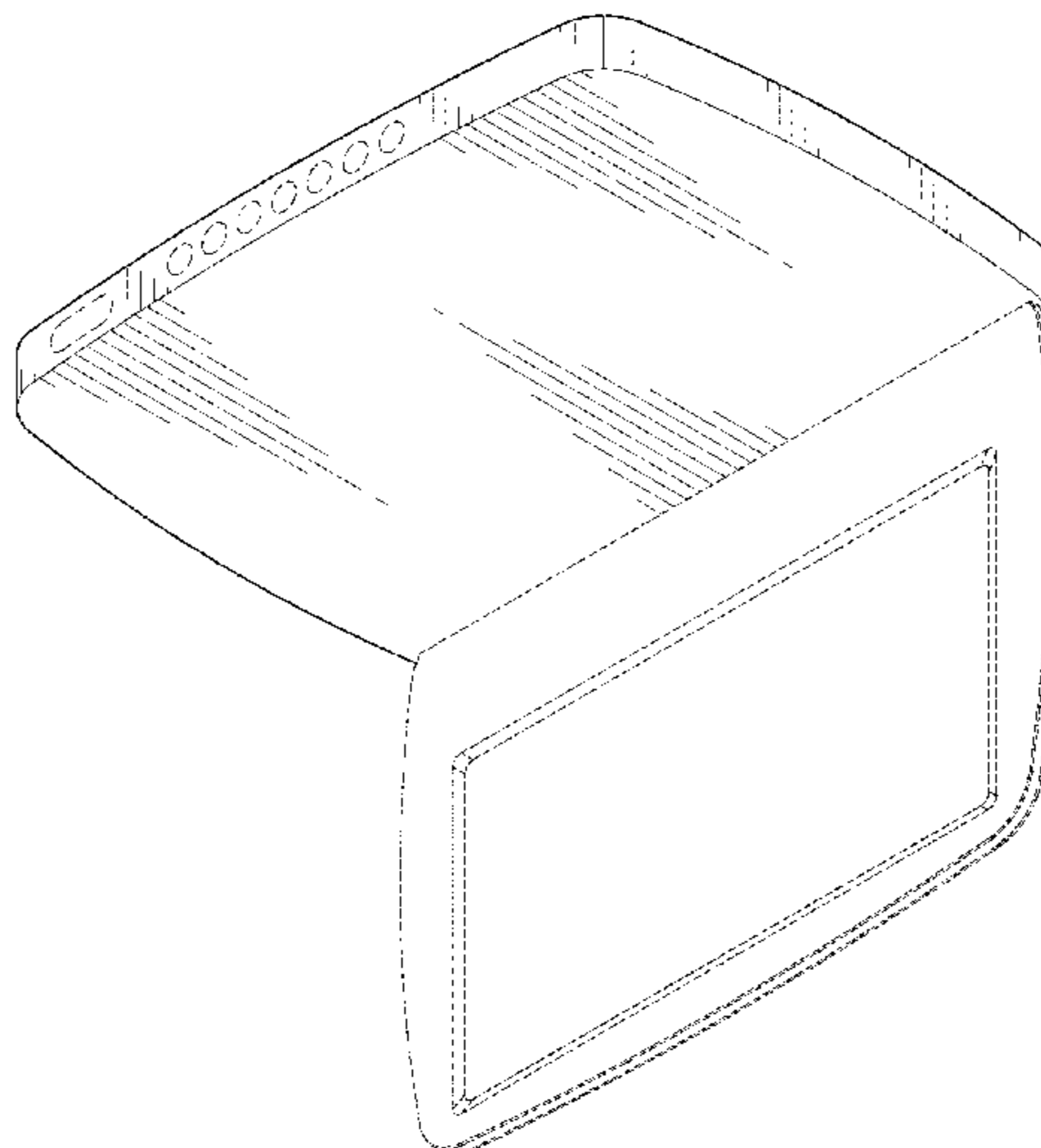
*Primary Examiner* — Prabhakar Deshmukh  
(74) *Attorney, Agent, or Firm* — Li & Cai Intellectual Property (USA) Office

(57) **CLAIM**  
The ornamental design for a “part of roof-mounted media player,” as shown and described.

**DESCRIPTION**

FIG. 1 is a perspective view of a part of roof-mounted media player showing our new design;  
FIG. 2 is a front view thereof;  
FIG. 3 is a rear view thereof;  
FIG. 4 is a left side view thereof;  
FIG. 5 is a right side view thereof;  
FIG. 6 is a top view thereof;  
FIG. 7 is a bottom view thereof; and,  
FIG. 8 is a perspective view with the screen folded thereof.  
The broken line showing of the environment is for illustrative purposes only and forms no part of the claimed design.

**1 Claim, 8 Drawing Sheets**



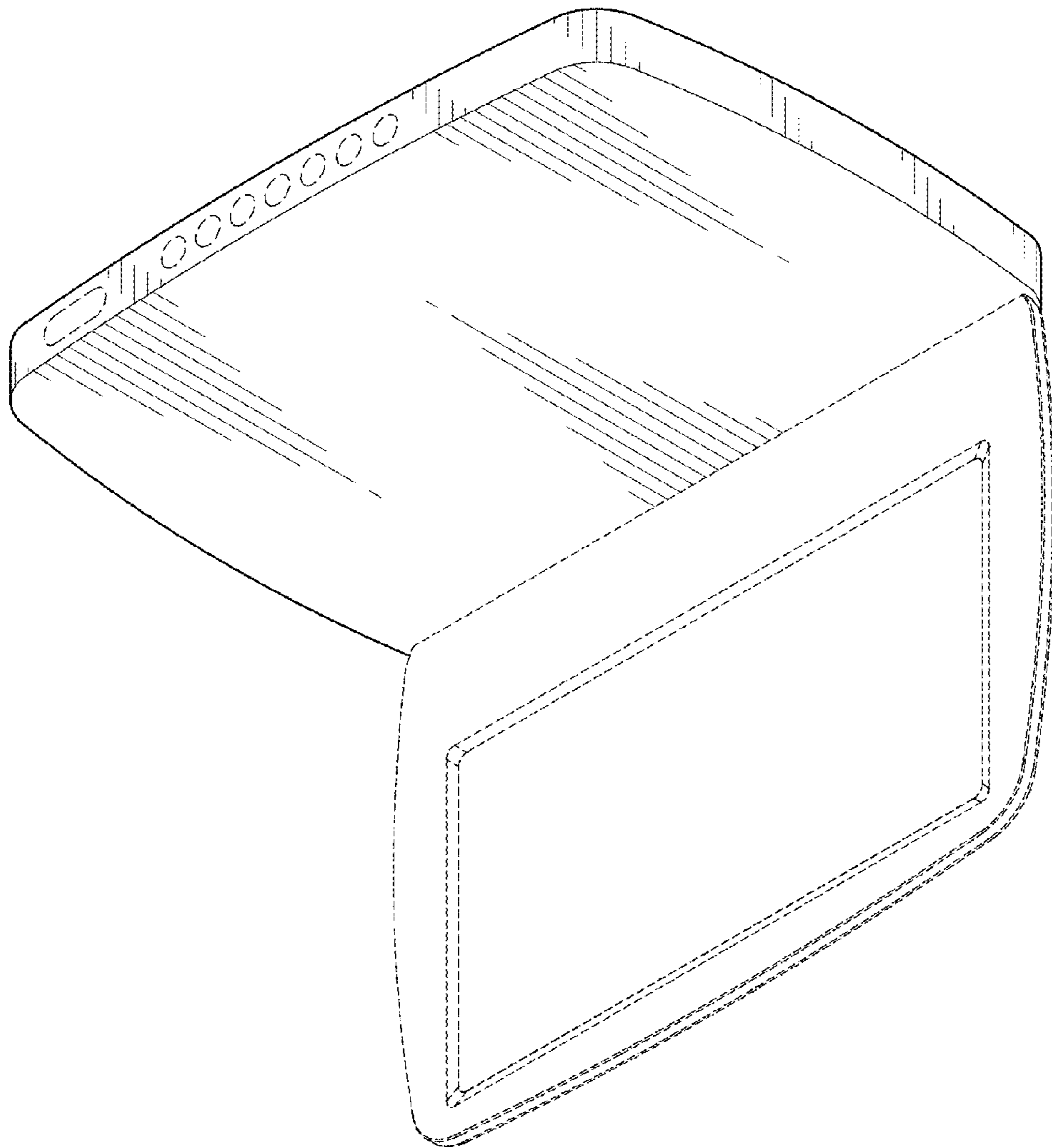


FIG. 1

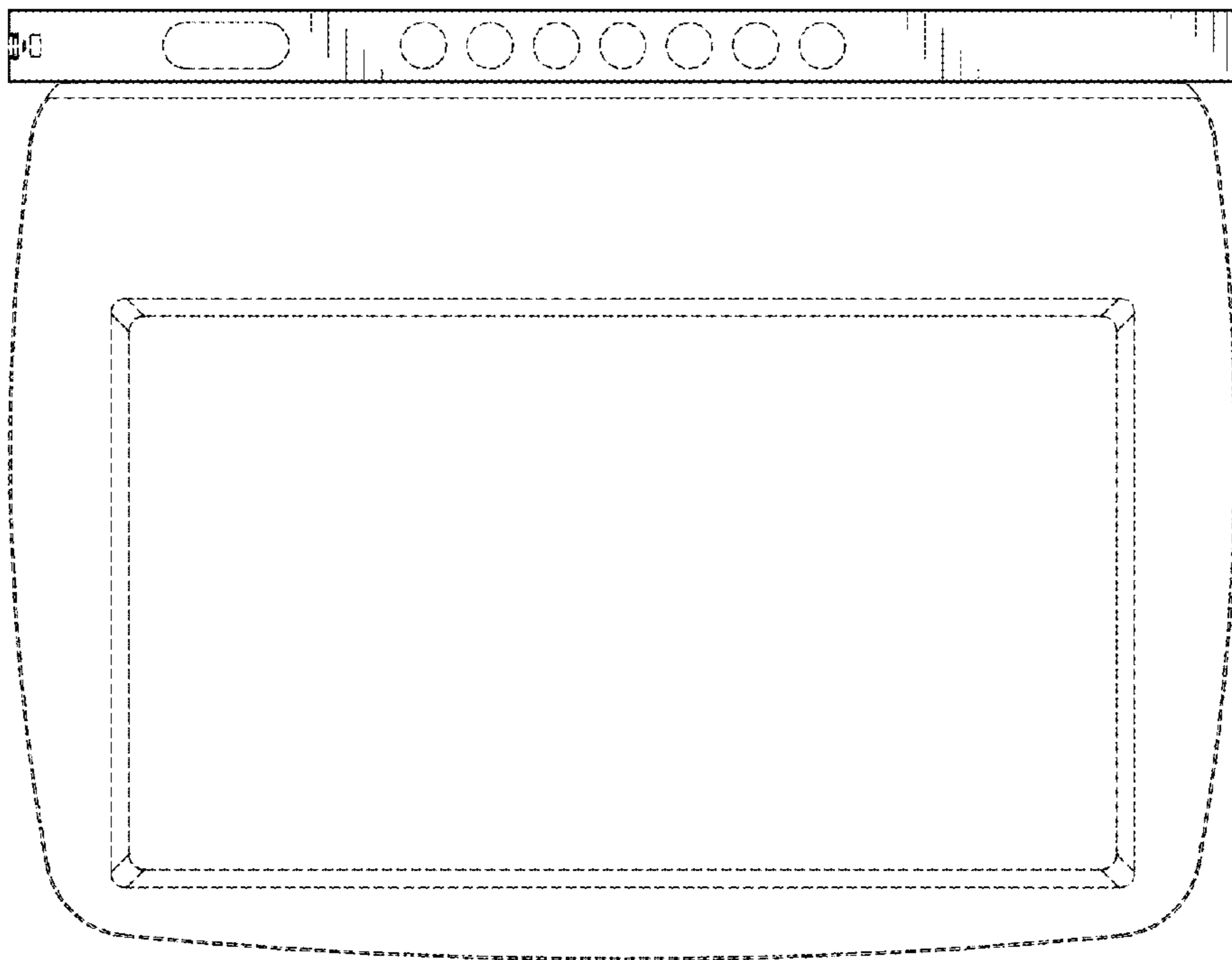


FIG.2

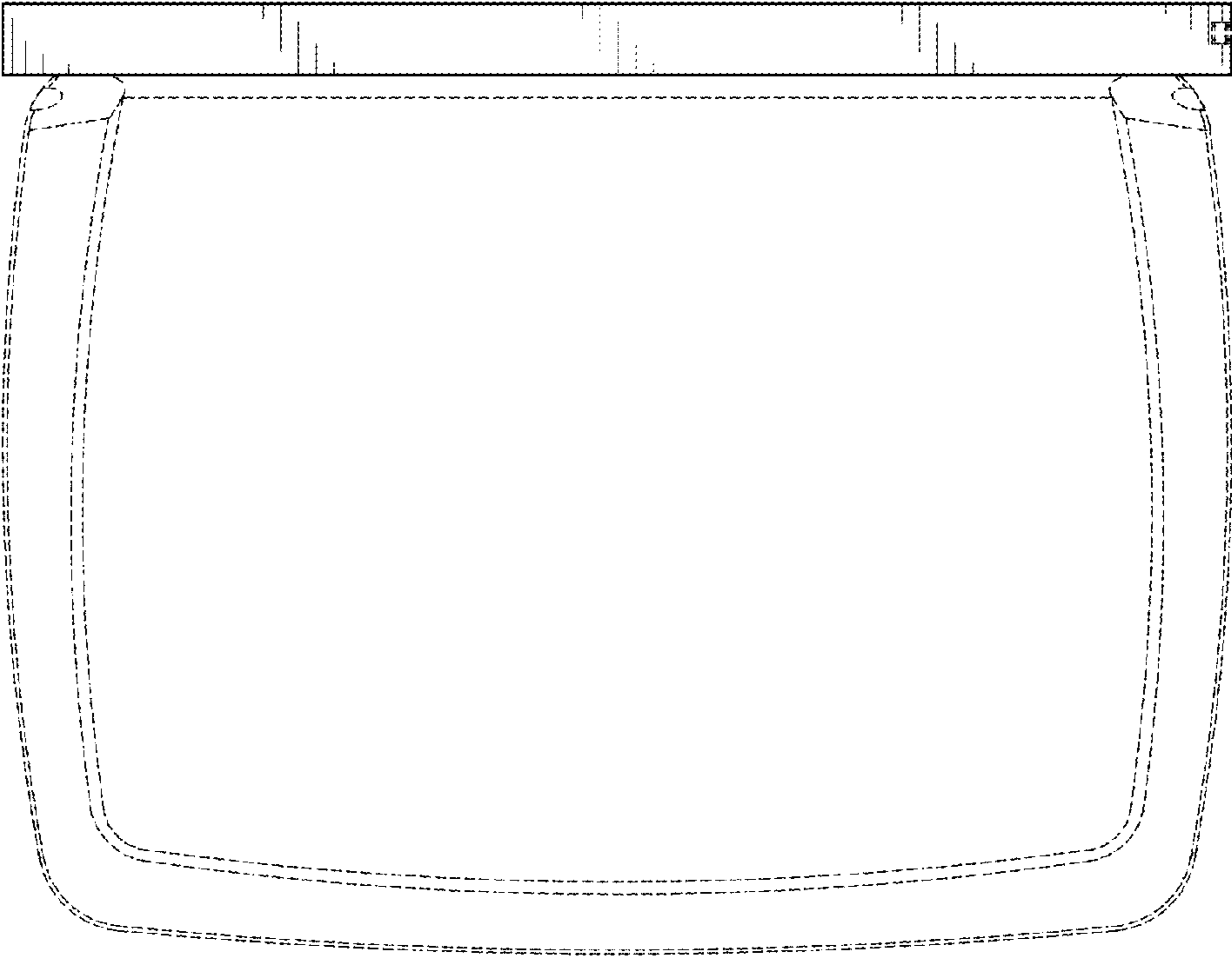


FIG.3

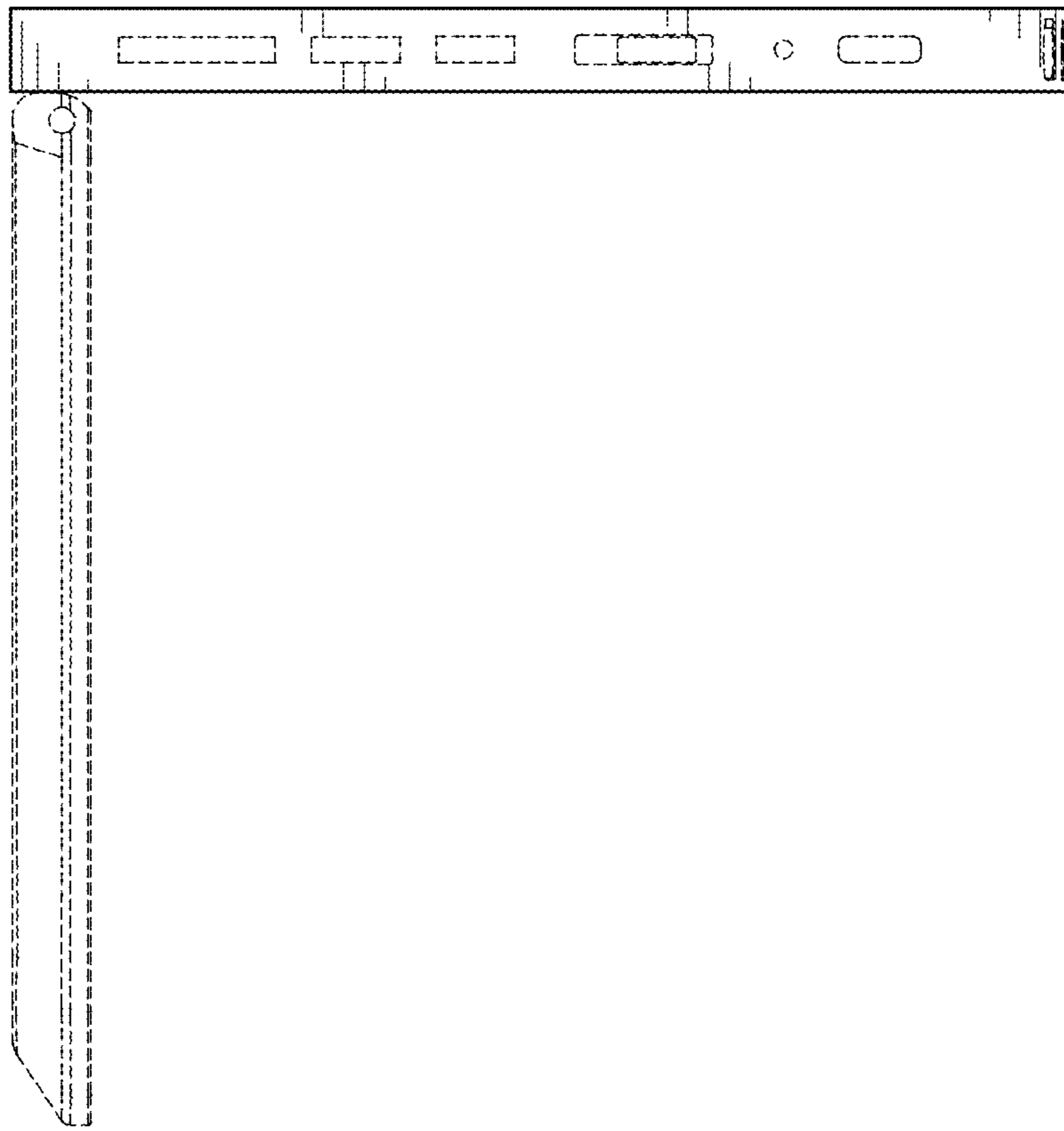


FIG.4

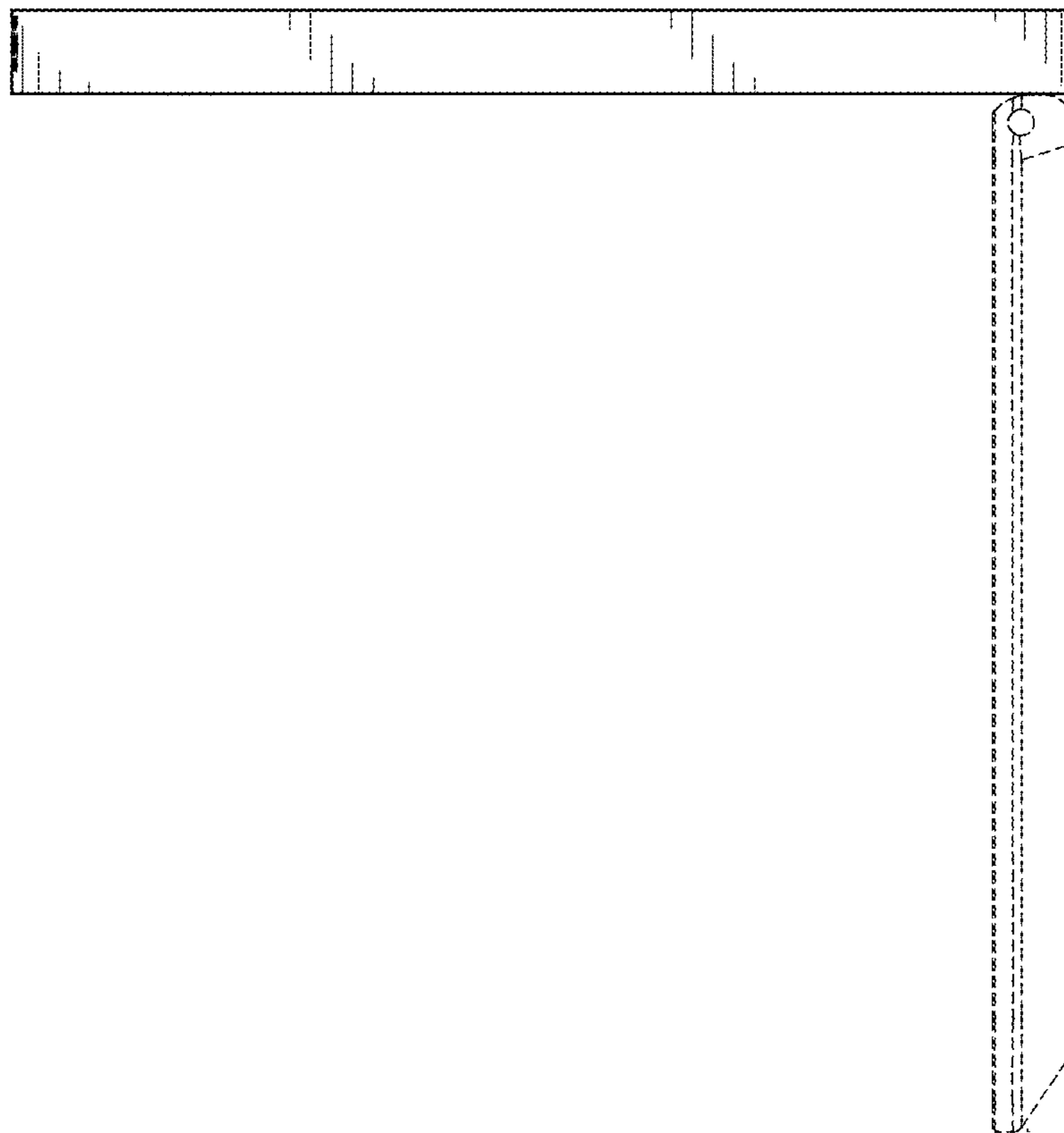


FIG.5

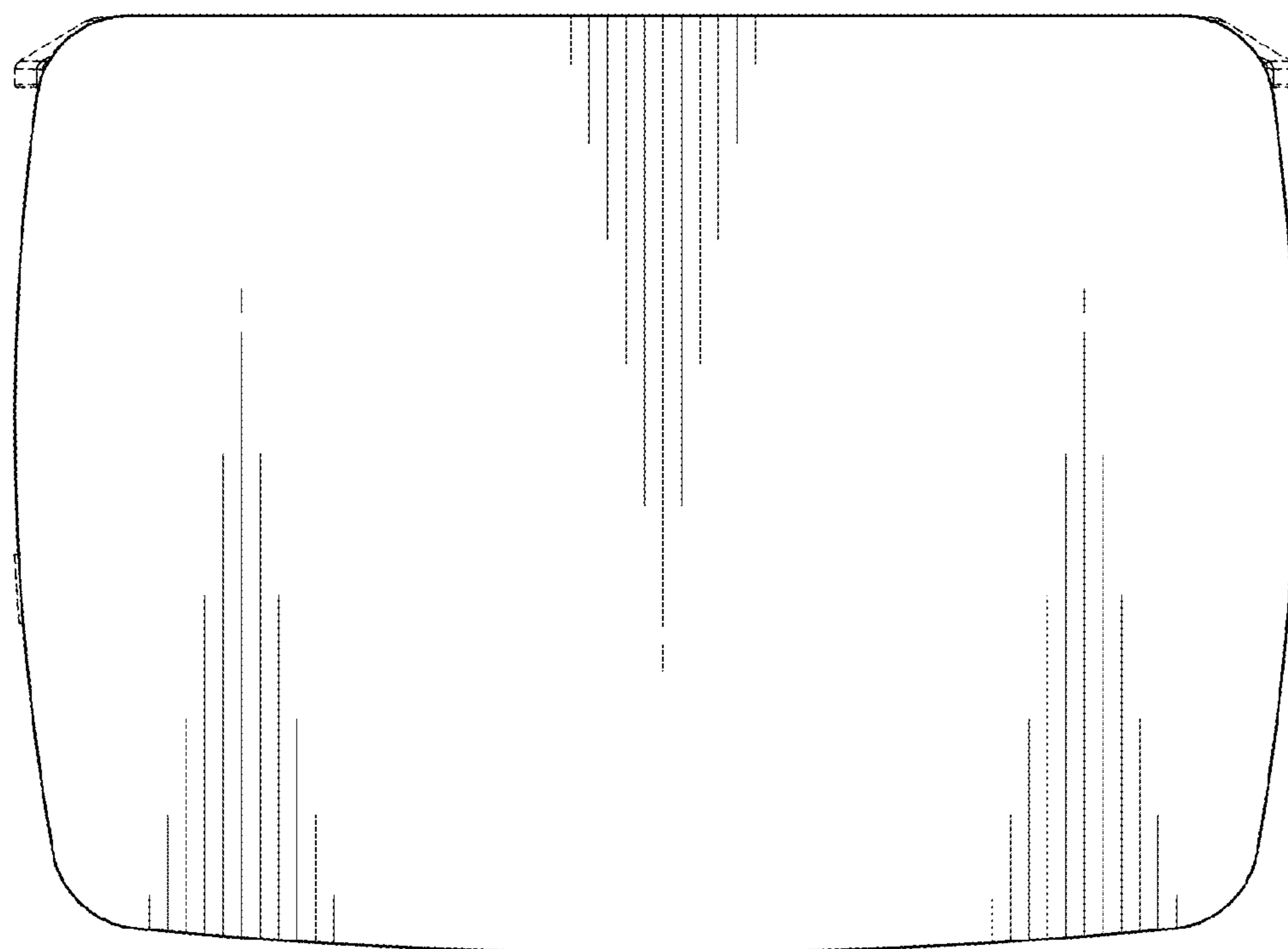


FIG. 6

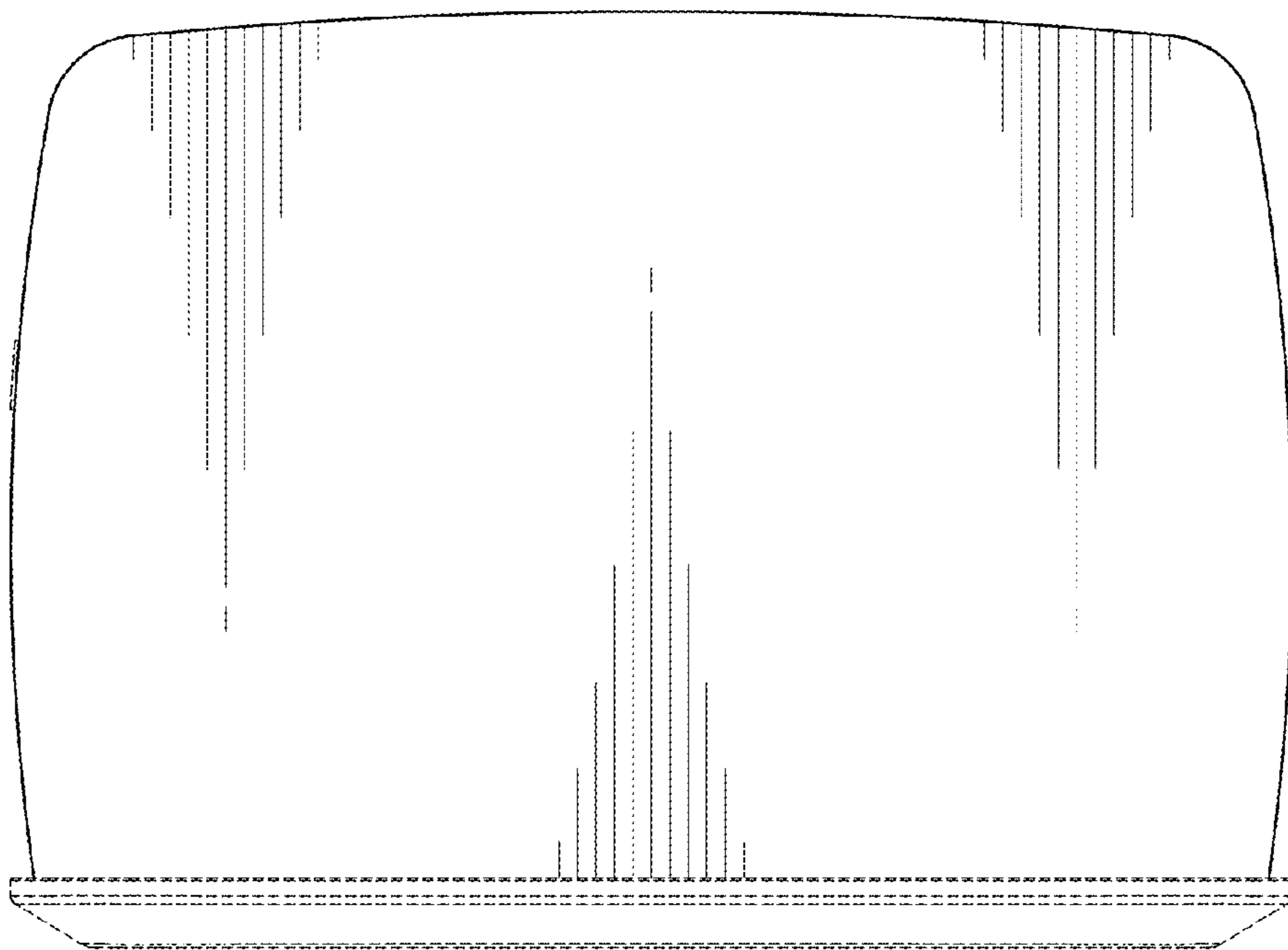


FIG.7



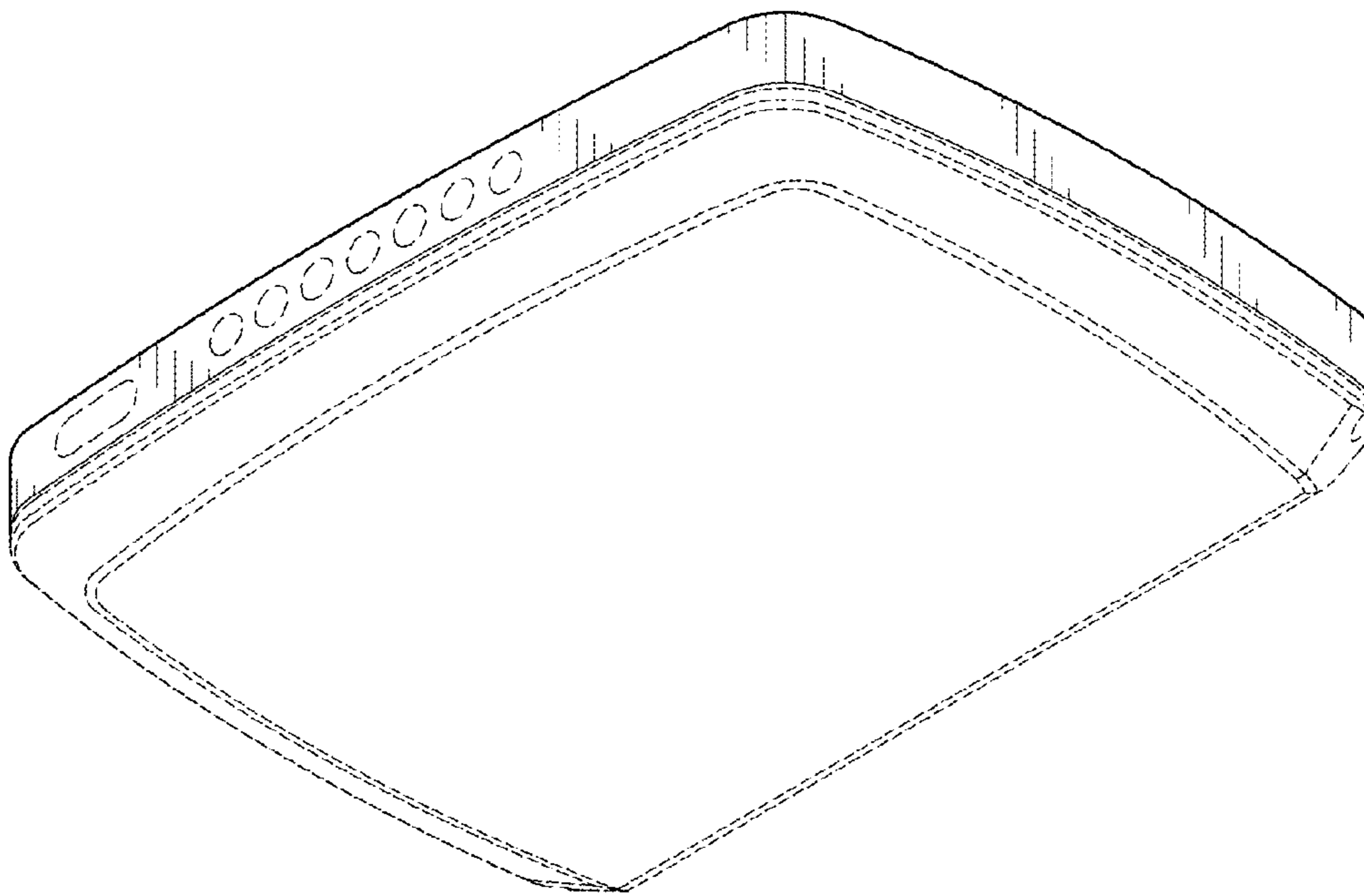


FIG.8