



US00D760182S

(12) **United States Design Patent**
Zhu

(10) **Patent No.:** **US D760,182 S**
(45) **Date of Patent:** **** Jun. 28, 2016**

(54) **AUDIO EQUIPMENT**

(56) **References Cited**

(71) Applicant: **Xiamen Clarion Electrical Enterprise Co., Ltd.**, Xiamen (CN)

U.S. PATENT DOCUMENTS

(72) Inventor: **Fubin Zhu**, Xiamen (CN)

D496,648 S *	9/2004	Uehara	D14/168
D593,989 S *	6/2009	Endo	D14/157
D637,993 S *	5/2011	Yamamoto	D14/157
D671,906 S *	12/2012	Kimura	D14/157
D672,743 S *	12/2012	Suzuki	D14/157
D680,094 S *	4/2013	Kanou	D14/157
D711,367 S *	8/2014	Endo	D14/258
D719,147 S *	12/2014	Murakami	D14/258

(73) Assignee: **XIAMEN CLARION ELECTRICAL ENTERPRISE CO., LTD.**, Xiamen (CN)

* cited by examiner

(**) Term: **15 Years**

Primary Examiner — Sandra Morris

(21) Appl. No.: **29/531,754**

(74) *Attorney, Agent, or Firm* — McDermott Will & Emery LLP

(22) Filed: **Jun. 29, 2015**

(57) **CLAIM**

I claim the ornamental design for audio equipment, as shown and described.

(30) **Foreign Application Priority Data**

DESCRIPTION

Dec. 29, 2014 (CN) 2014 3 0558077

(51) **LOC (10) Cl.** **14-03**

(52) **U.S. Cl.**
USPC **D14/157**

(58) **Field of Classification Search**
USPC D12/192, 195, 415, 420; D14/157, 168,
D14/218, 224, 257–258, 265, 498–511;
248/27.1, 27.3, 558; 455/347, 350
CPC B60K 37/04; B60K 37/06; H04B 1/08;
H04B 1/082; B60R 11/02

FIG. 1 is a perspective view of audio equipment showing the new design;
FIG. 2 is a front view thereof;
FIG. 3 is a rear view thereof;
FIG. 4 is a left side view thereof;
FIG. 5 is a right side view thereof;
FIG. 6 is a top view thereof;
FIG. 7 is a bottom view thereof; and,
FIG. 8 is an enlarged view of Portion A, demarked as a broken line in FIG. 1.

See application file for complete search history.

1 Claim, 8 Drawing Sheets

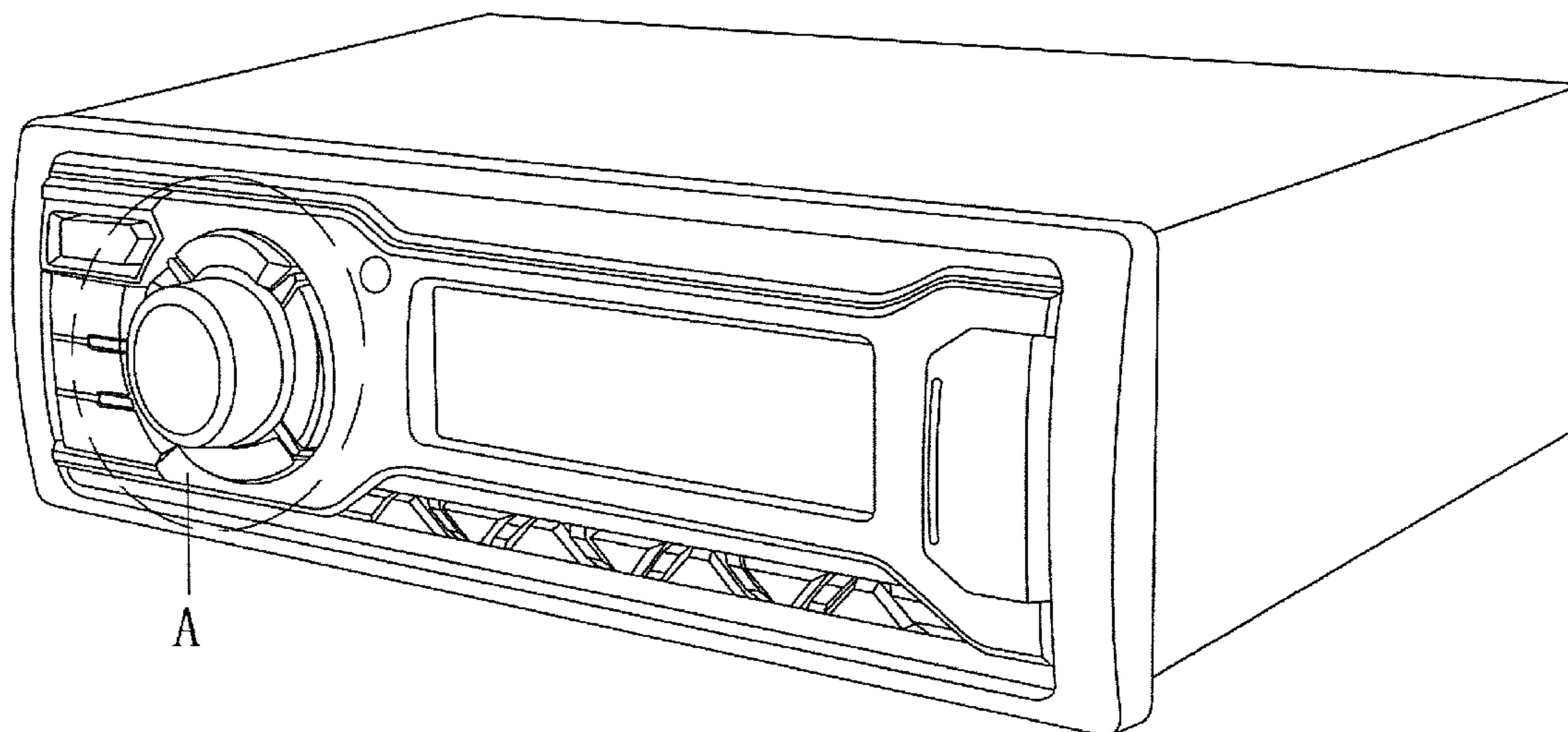


FIG. 1

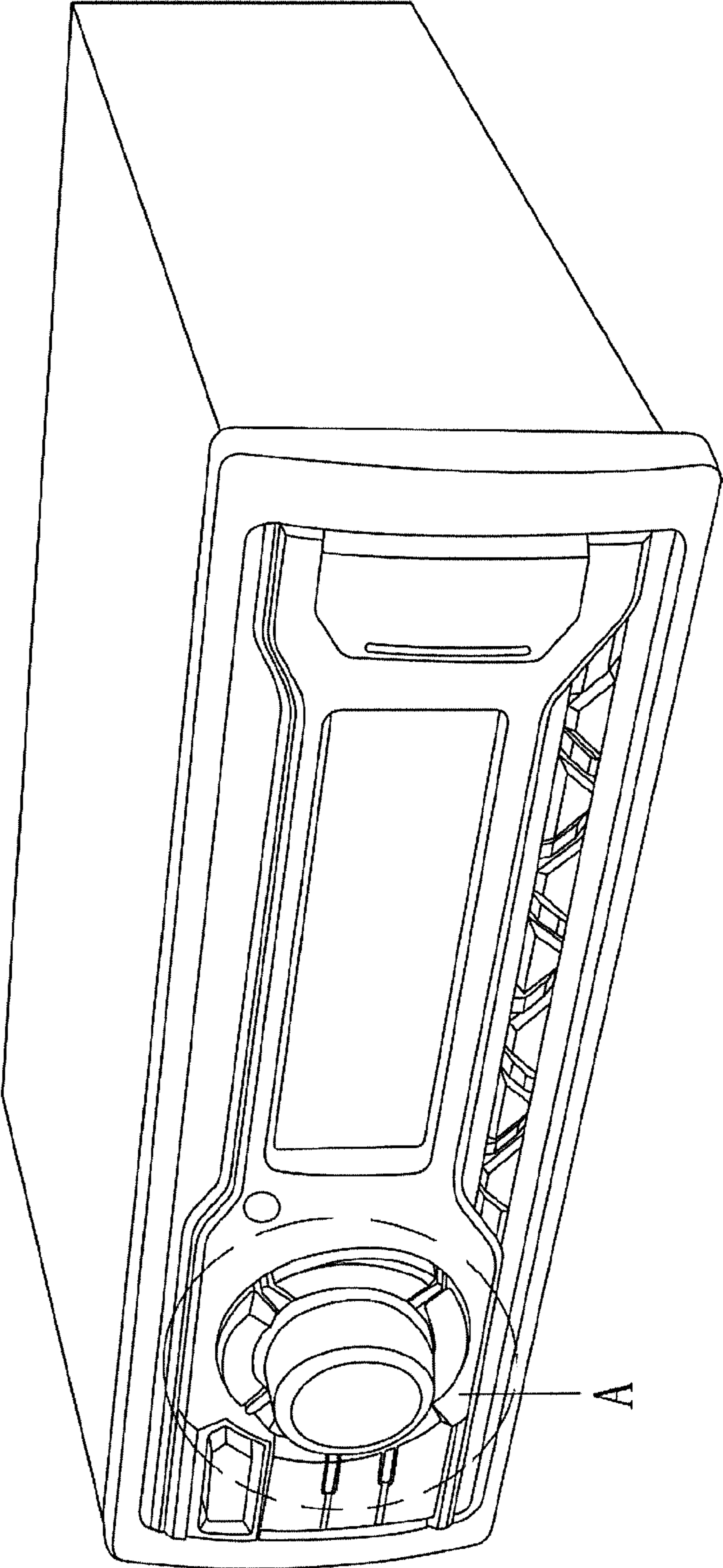


FIG. 2

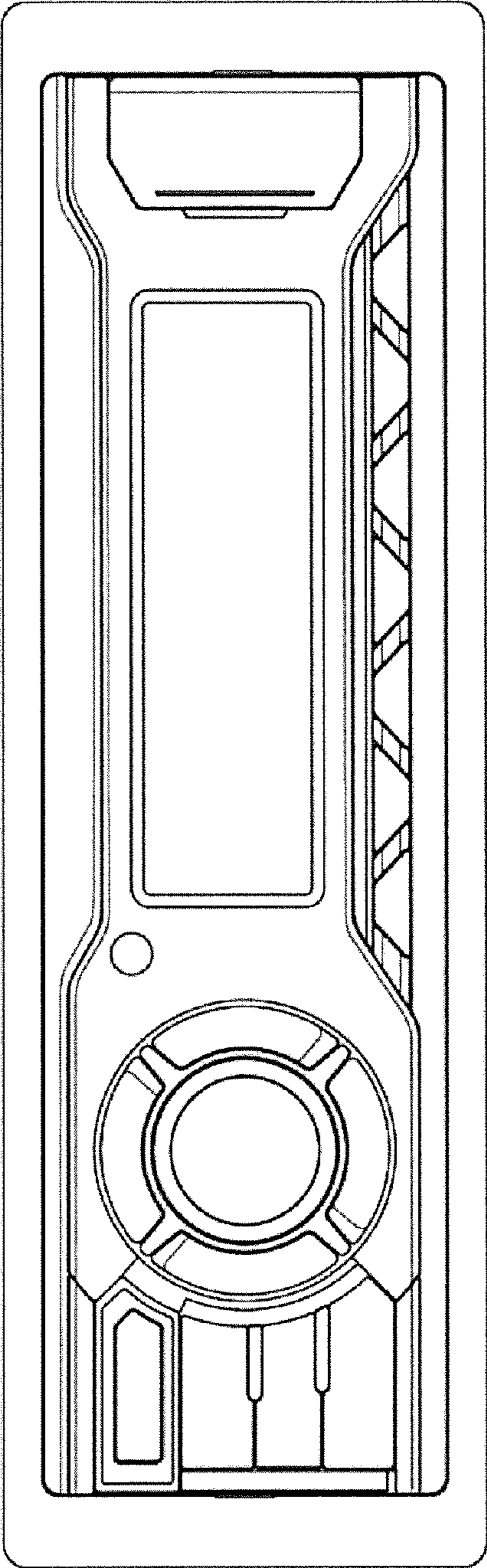
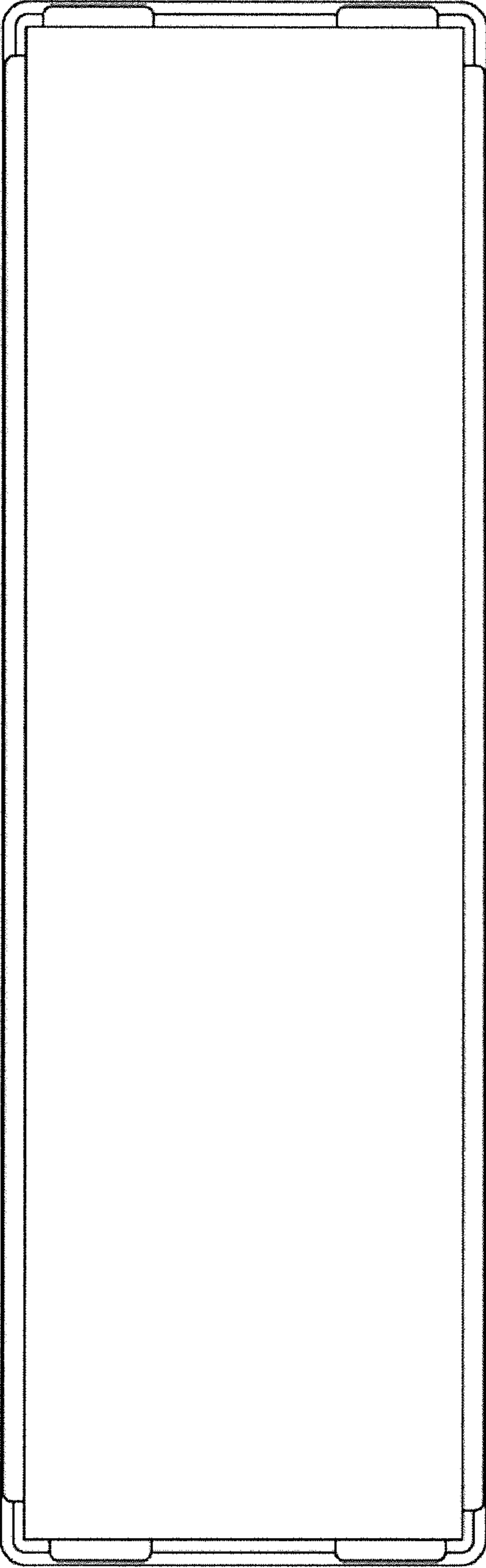


FIG. 3



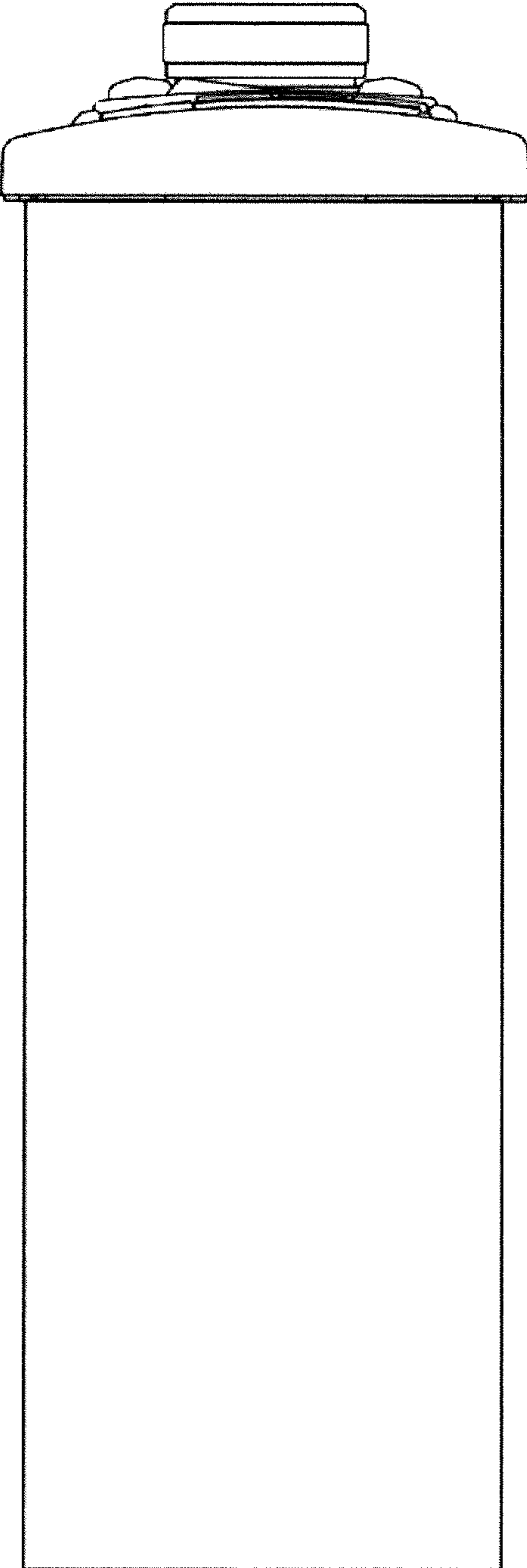


FIG. 4

FIG. 5

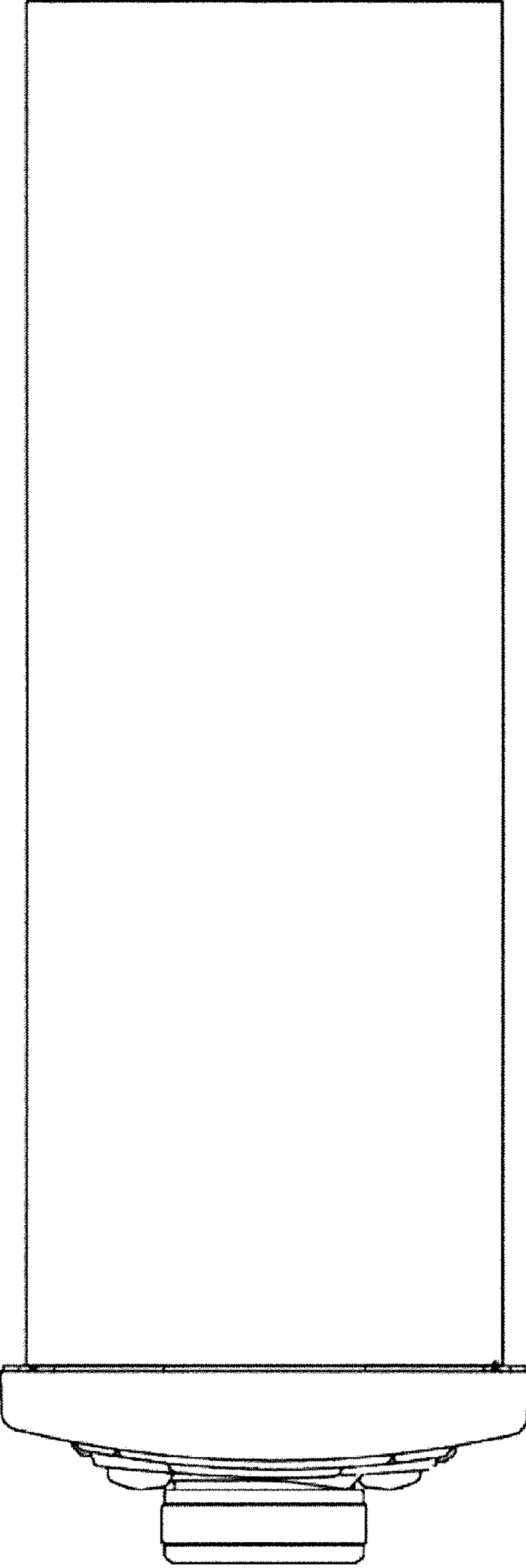


FIG. 6

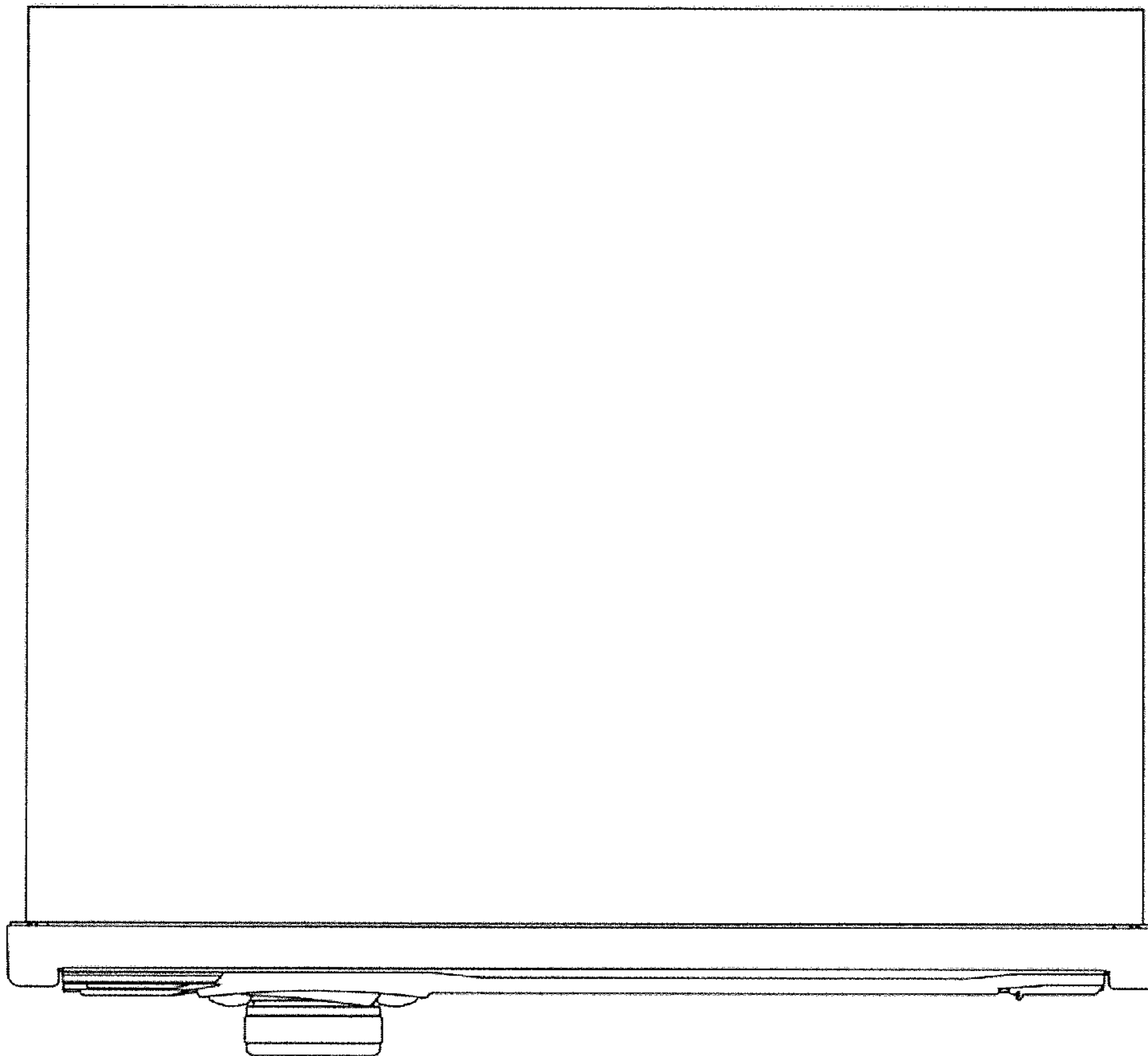


FIG. 7

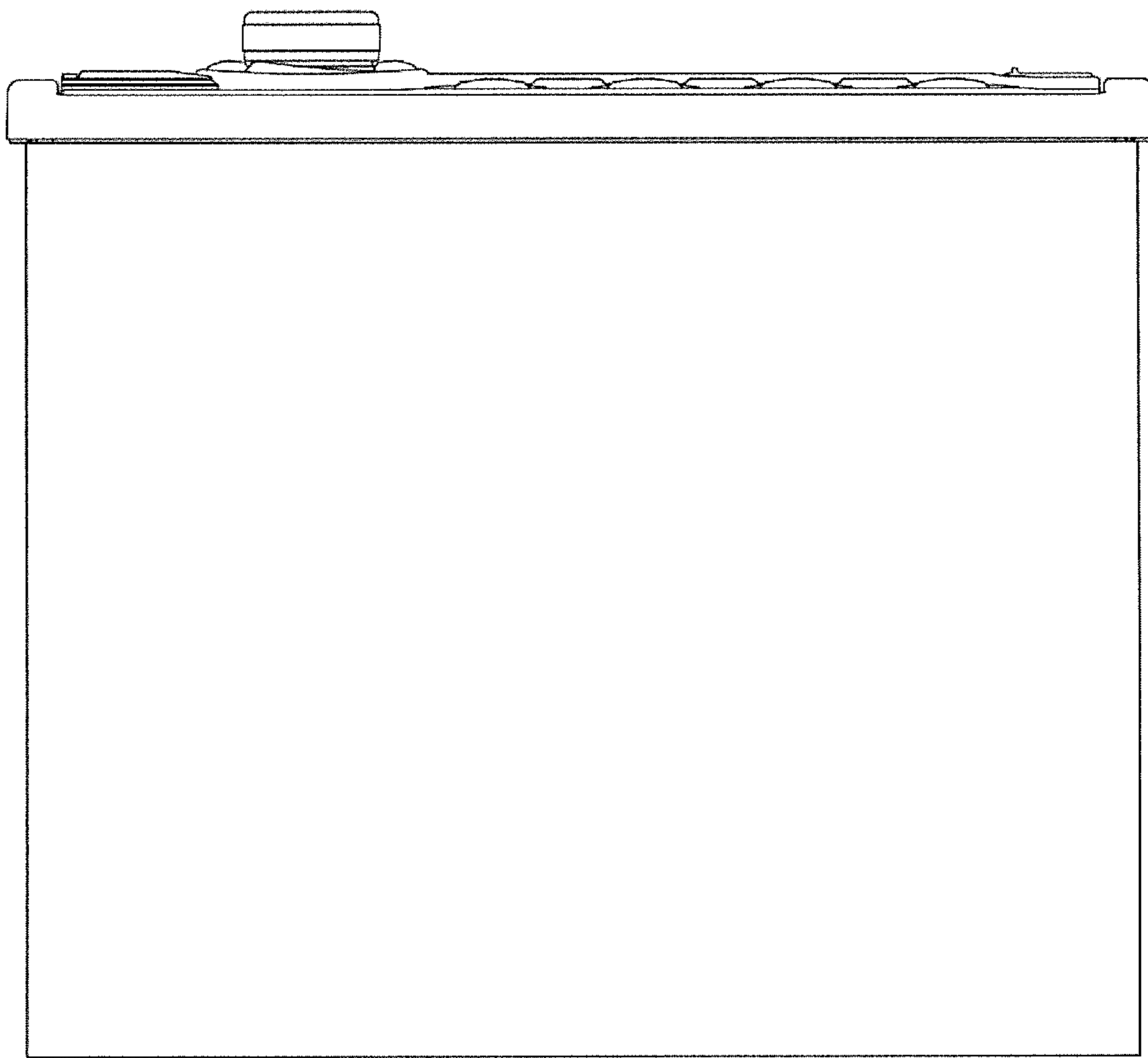


FIG. 8

