



US00D760179S

(12) **United States Design Patent**  
**Chen et al.**

(10) **Patent No.:** **US D760,179 S**  
(45) **Date of Patent:** **\*\* \*Jun. 28, 2016**

(54) **LIGHT-EMITTING DIODE DEVICE**

(71) Applicant: **EPISTAR CORPORATION**, Hsinchu (TW)

(72) Inventors: **Chao Hsing Chen**, Hsinchu (TW); **Tsun Kai Ko**, Hsinchu (TW); **Chien Fu Shen**, Hsinchu (TW); **Jia Kuen Wang**, Hsinchu (TW); **Hung Che Chen**, Hsinchu (TW); **Chun Teng Ko**, Hsinchu (TW); **Chien Chih Liao**, Hsinchu (TW)

(73) Assignee: **EPISTAR CORPORATION**, Hsinchu (TW)

(\*) Notice: This patent is subject to a terminal disclaimer.

(\*\*) Term: **14 Years**

(21) Appl. No.: **29/506,940**

(22) Filed: **Oct. 22, 2014**

**Related U.S. Application Data**

(63) Continuation of application No. 29/464,136, filed on Aug. 13, 2013, now Pat. No. Des. 718,259.

(51) **LOC (10) Cl.** ..... **13-03**

(52) **U.S. Cl.**  
USPC ..... **D13/180**

(58) **Field of Classification Search**  
USPC ..... D13/180; D26/1  
CPC ... H01L 25/167; H01L 25/0753; H01L 27/15;  
H01L 27/156; H01L 31/02; H01L 33/00;  
H01L 33/04; H01L 33/08; H01L 33/10;  
H01L 33/20; H01L 33/38; H01L 33/42;  
H01L 33/483; H01L 33/4868

See application file for complete search history.

(56) **References Cited**

U.S. PATENT DOCUMENTS

D579,019 S 10/2008 Lei et al.  
7,884,379 B2 \* 2/2011 Sakamoto ..... H01L 33/38  
257/85  
D648,287 S 11/2011 Hsu et al.  
D656,908 S 4/2012 Hsu et al.  
8,188,504 B2 5/2012 Lee

(Continued)

*Primary Examiner* — Selina Sikder

(74) *Attorney, Agent, or Firm* — Muncy, Geissler, Olds & Lowe, P.C.

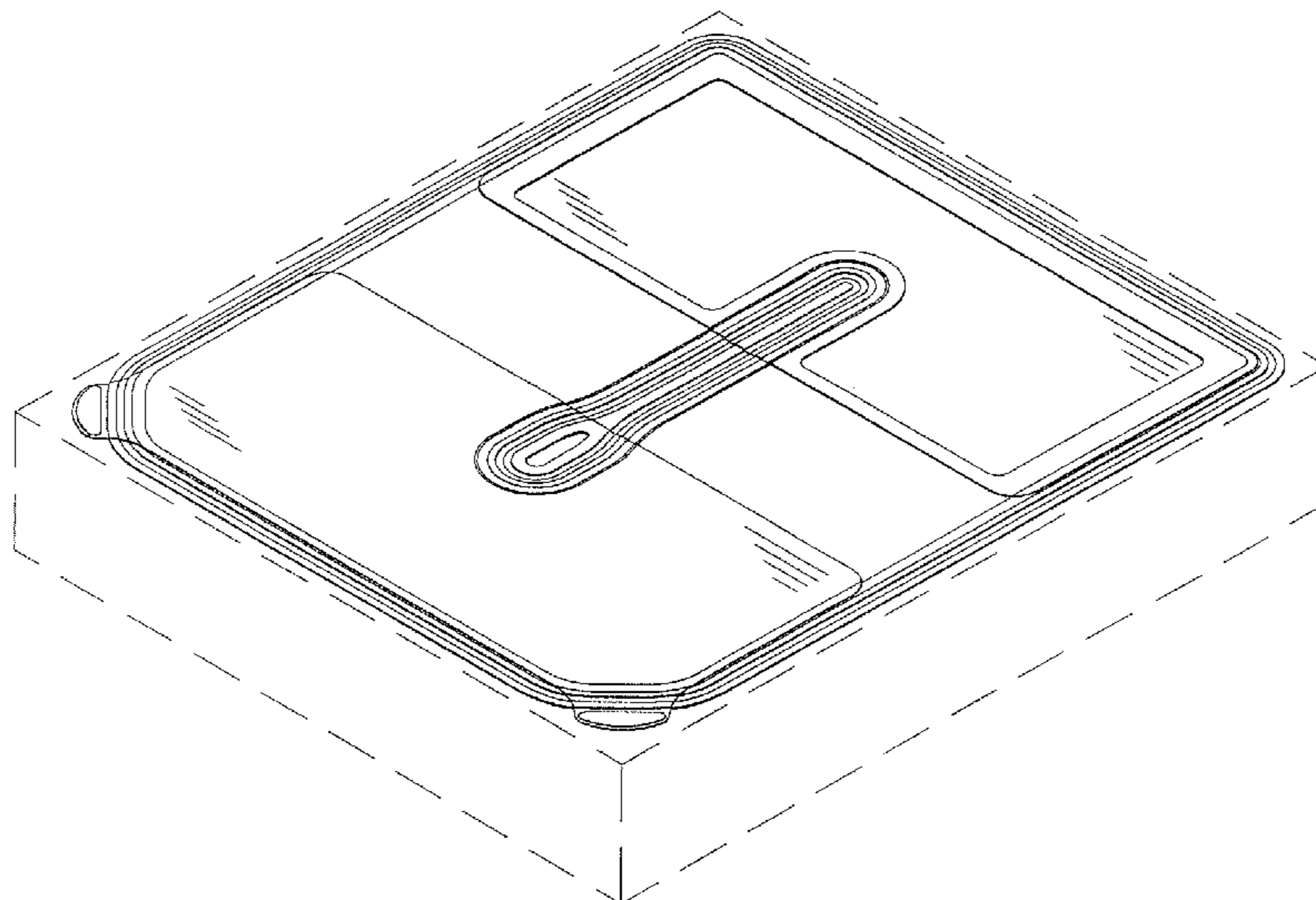
(57) **CLAIM**

The ornamental design for a light-emitting diode device, as shown and described.

**DESCRIPTION**

FIG. 1 is a perspective view of a light-emitting diode device showing our first example of the new design; FIG. 2 is another perspective view thereof; FIG. 3 is a front elevational view thereof; FIG. 4 is a rear elevational view thereof; FIG. 5 is a left side view thereof; FIG. 6 is a right side view thereof; FIG. 7 is a top plan view thereof; FIG. 8 is a bottom plan view thereof; FIG. 9 is a perspective view of a light-emitting diode device showing our second example of the new design; FIG. 10 is another perspective view thereof; FIG. 11 is a front elevational view thereof; FIG. 12 is a rear elevational view thereof; FIG. 13 is a left side view thereof; FIG. 14 is a right side view thereof; FIG. 15 is a top plan view thereof; and, FIG. 16 is a bottom plan view thereof. The broken line showing is for the purpose of illustrating environmental structure only and forms no part of the claimed design.

**1 Claim, 12 Drawing Sheets**



(56)

**References Cited**

U.S. PATENT DOCUMENTS

8,319,233 B2 *	11/2012	Beom .....	H01L 33/38 257/13	8,680,559 B2 *	3/2014	Kim .....	H01L 33/38 257/98
D672,731 S	12/2012	Bergmann et al.		D718,259 S *	11/2014	Chen .....	D13/180
D681,569 S	5/2013	Yeh et al.		D721,663 S *	1/2015	Chen .....	D13/180
D682,225 S	5/2013	Bergmann et al.		D721,664 S *	1/2015	Chen .....	D13/180
D687,396 S	8/2013	Chen et al.		8,963,177 B2 *	2/2015	Katsuno .....	H01L 33/46 257/98
8,525,212 B2 *	9/2013	Kim .....	H01L 33/38 257/623	8,969,905 B2 *	3/2015	Okabe .....	H01L 33/405 257/99
D697,490 S	1/2014	Yeh et al.		9,018,669 B2 *	4/2015	Seo .....	H01L 33/08 257/79
D698,743 S *	2/2014	Hon .....	D13/180	D733,079 S *	6/2015	Chen .....	D13/180
8,643,053 B2 *	2/2014	Beom .....	H01L 33/38 257/773	2006/0163604 A1	7/2006	Shin et al.	
				2014/0034901 A1	2/2014	Moon	

\* cited by examiner

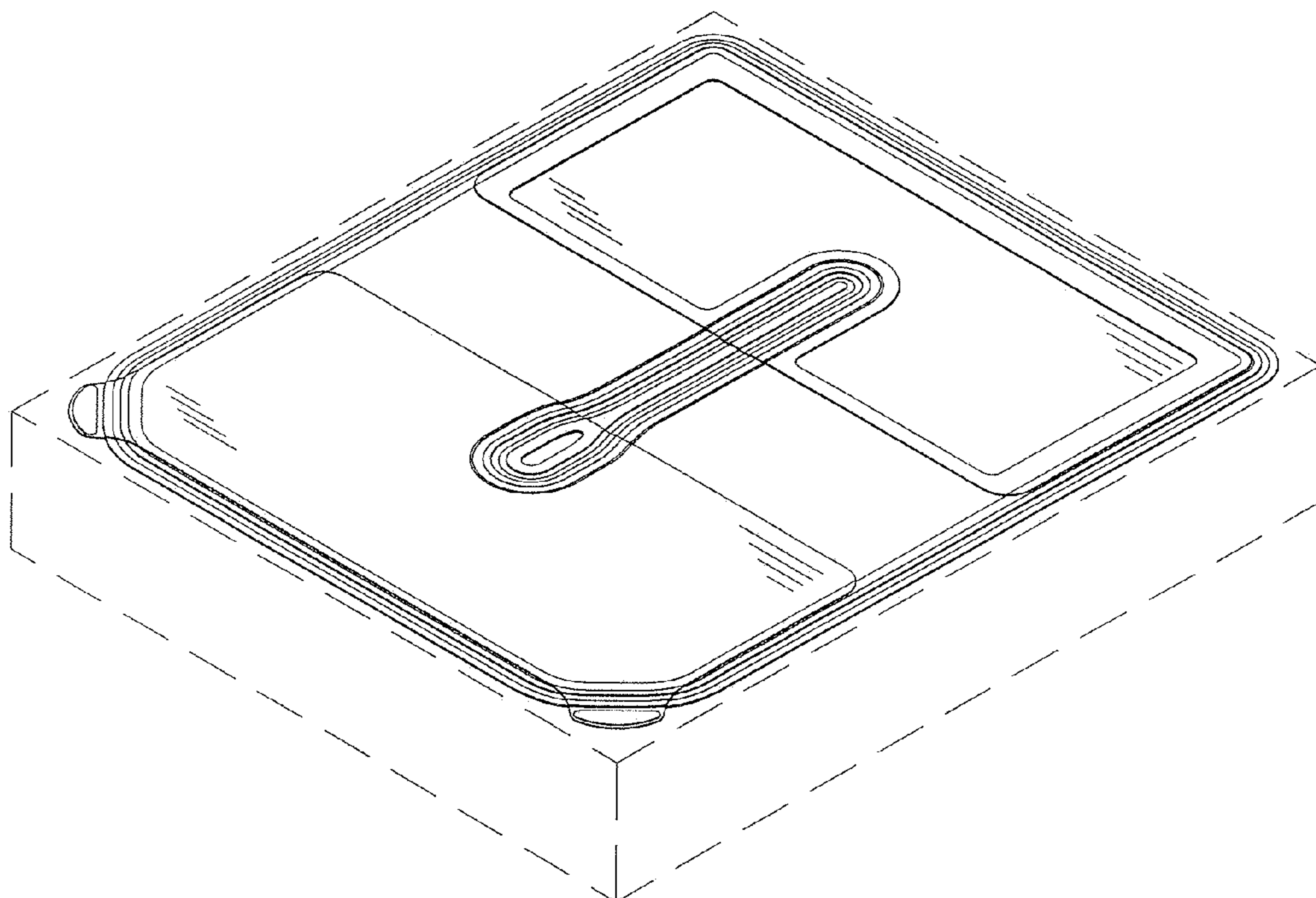


FIG. 1

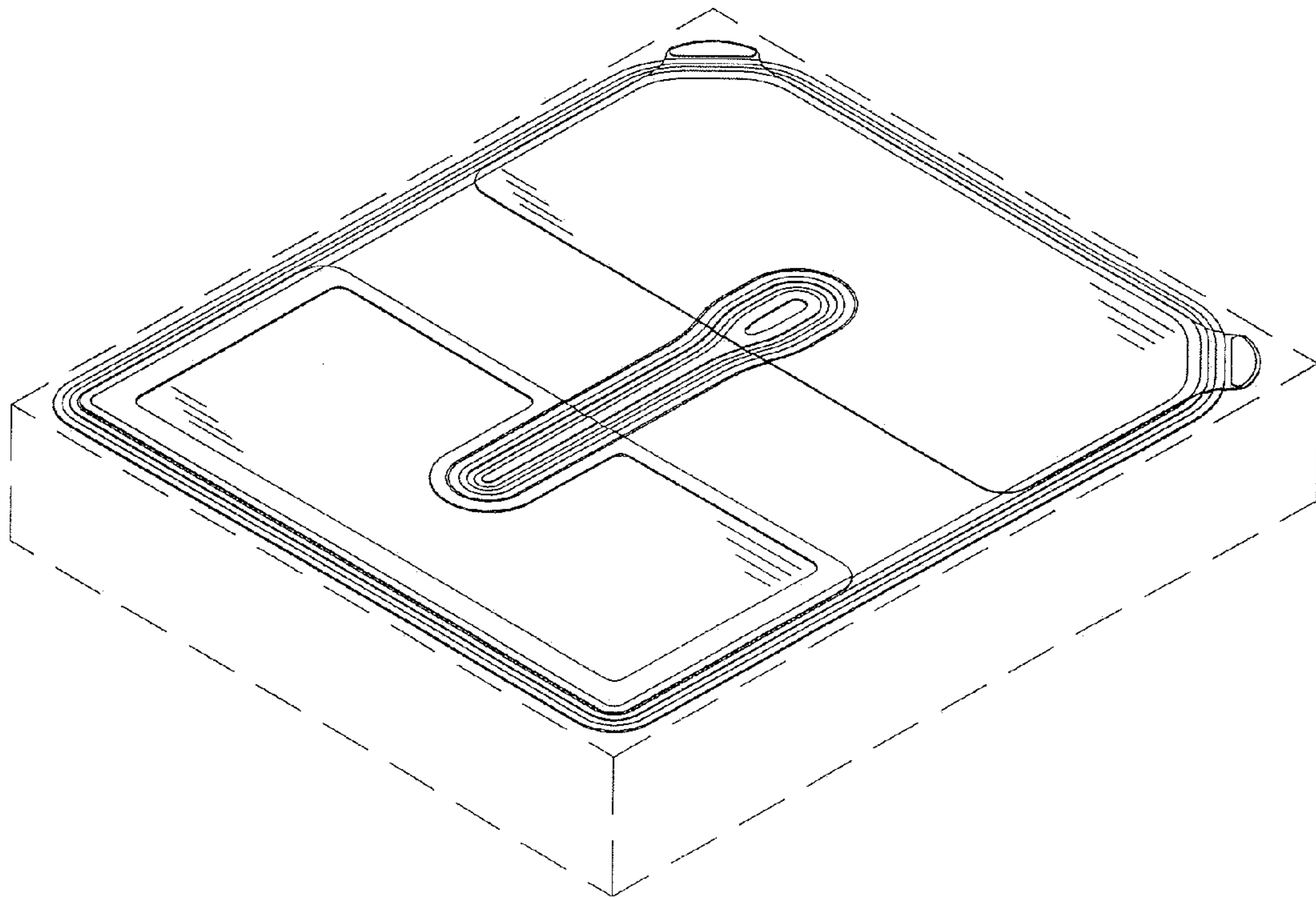


FIG. 2

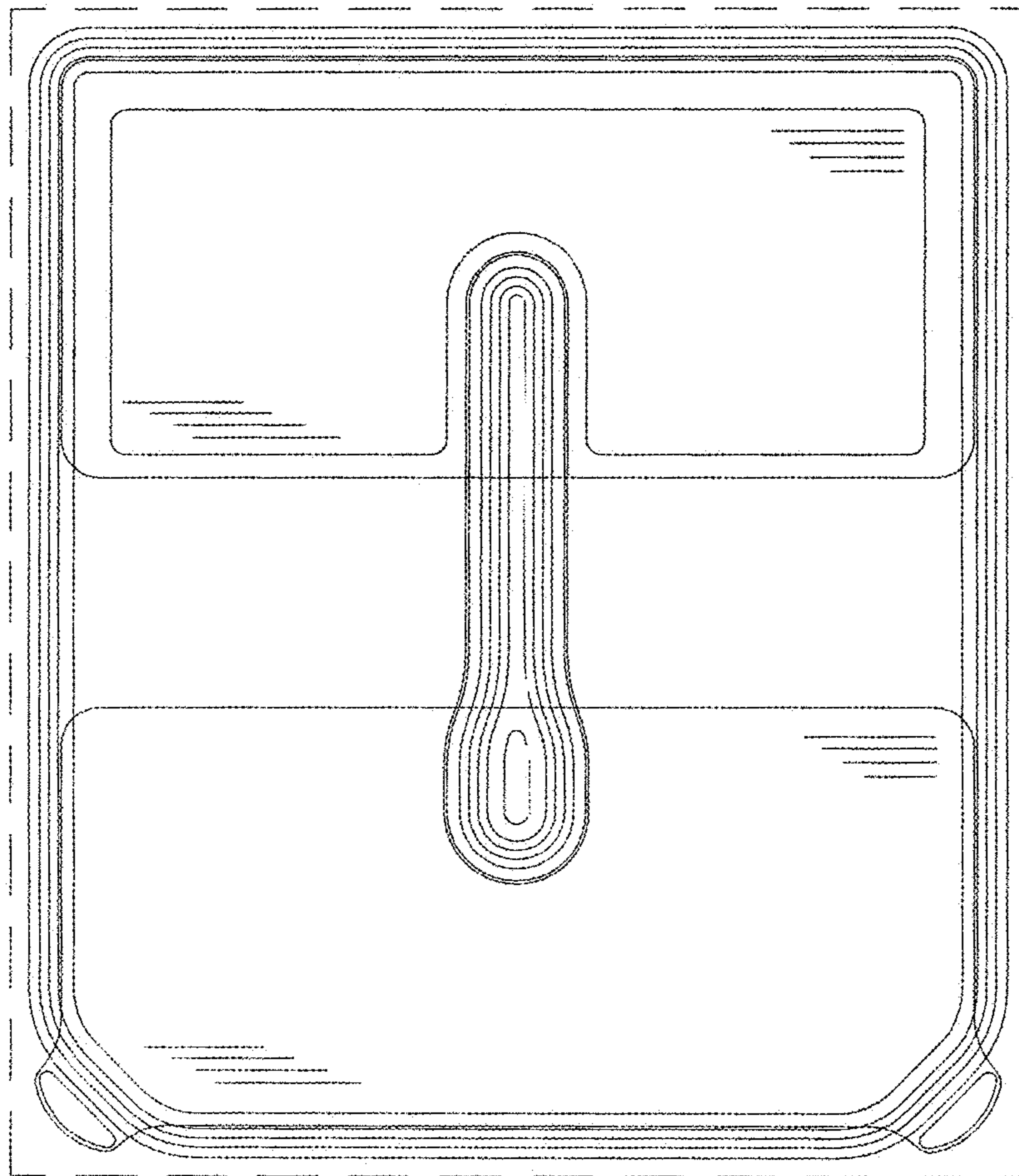


FIG. 3



**FIG. 4**

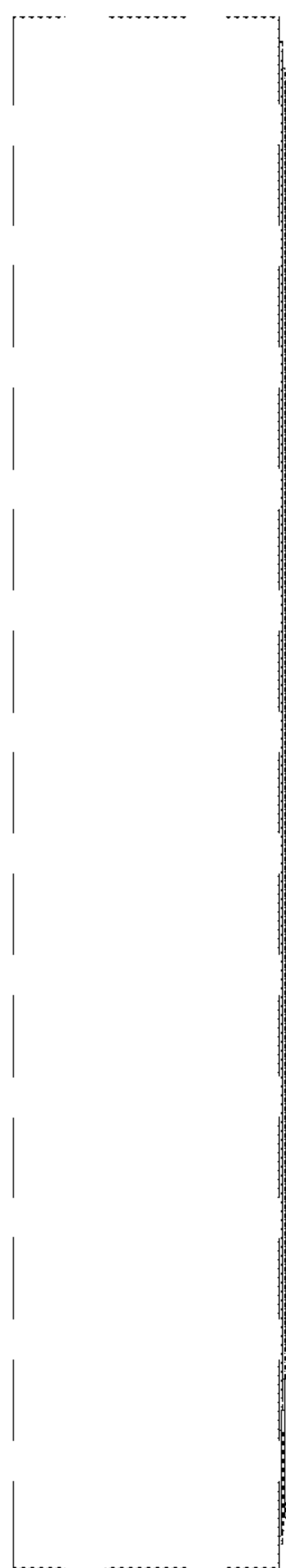


FIG. 5

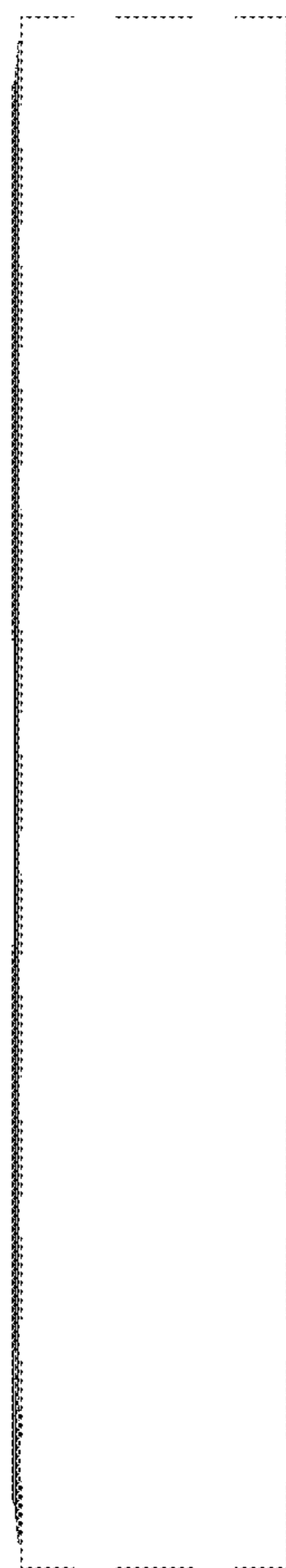


FIG. 6

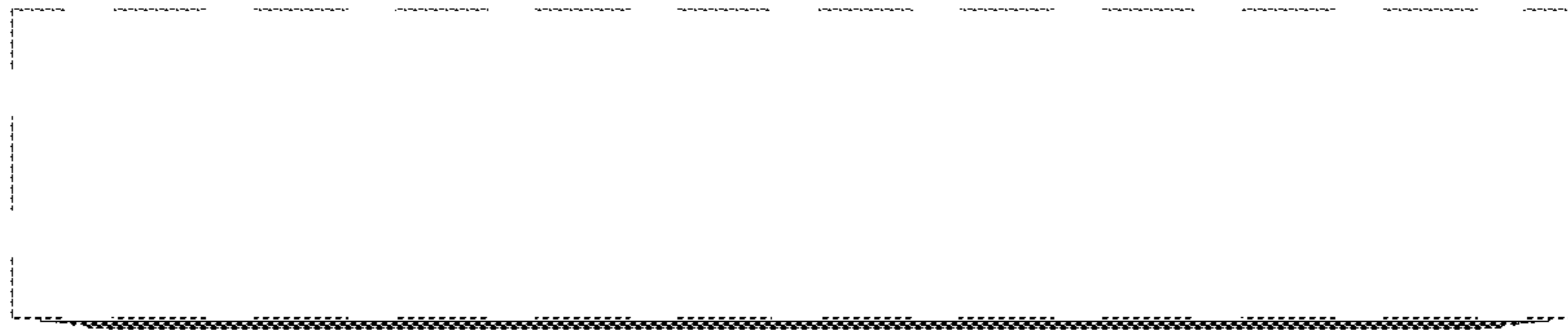


FIG. 7



FIG. 8



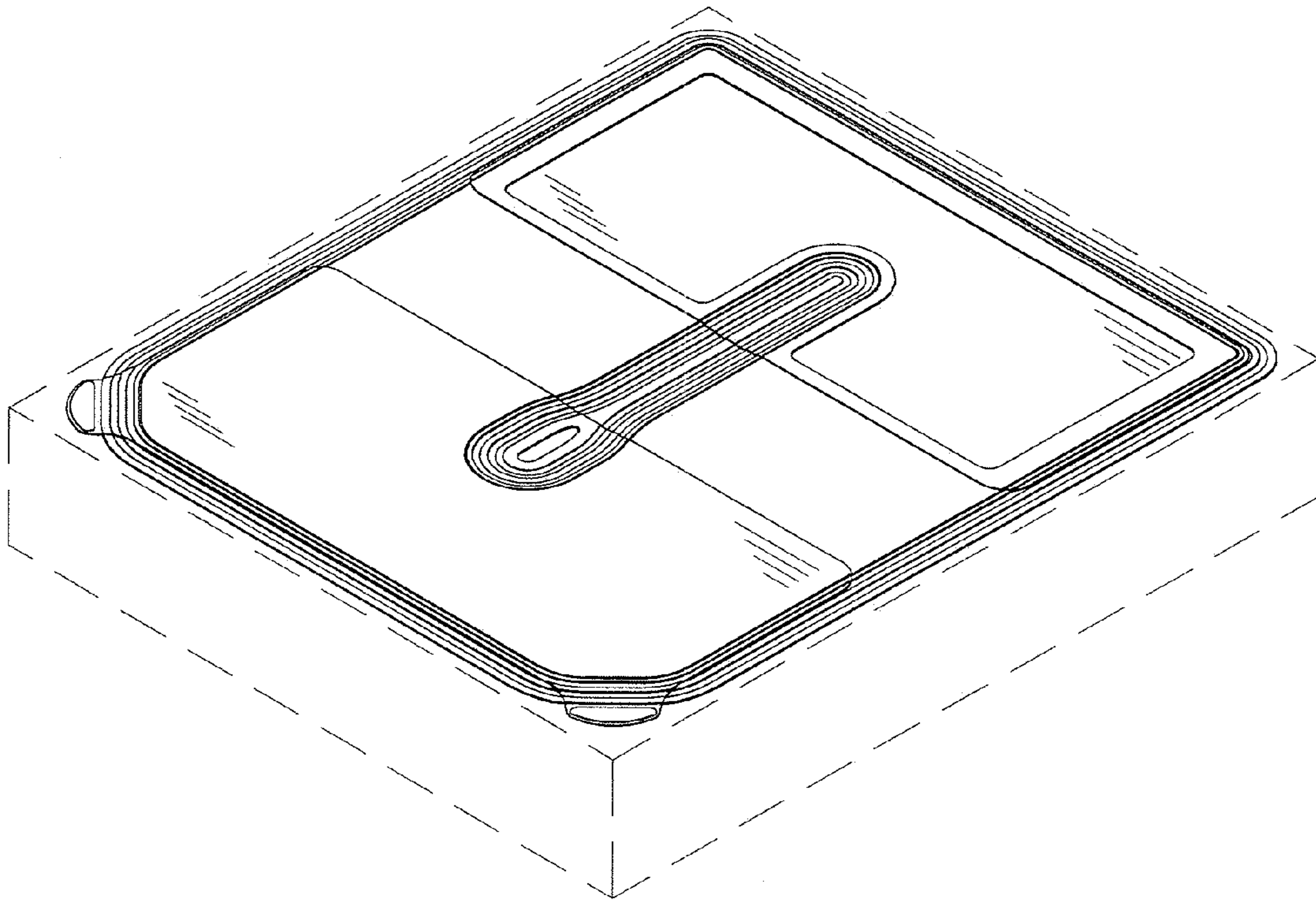


FIG. 9

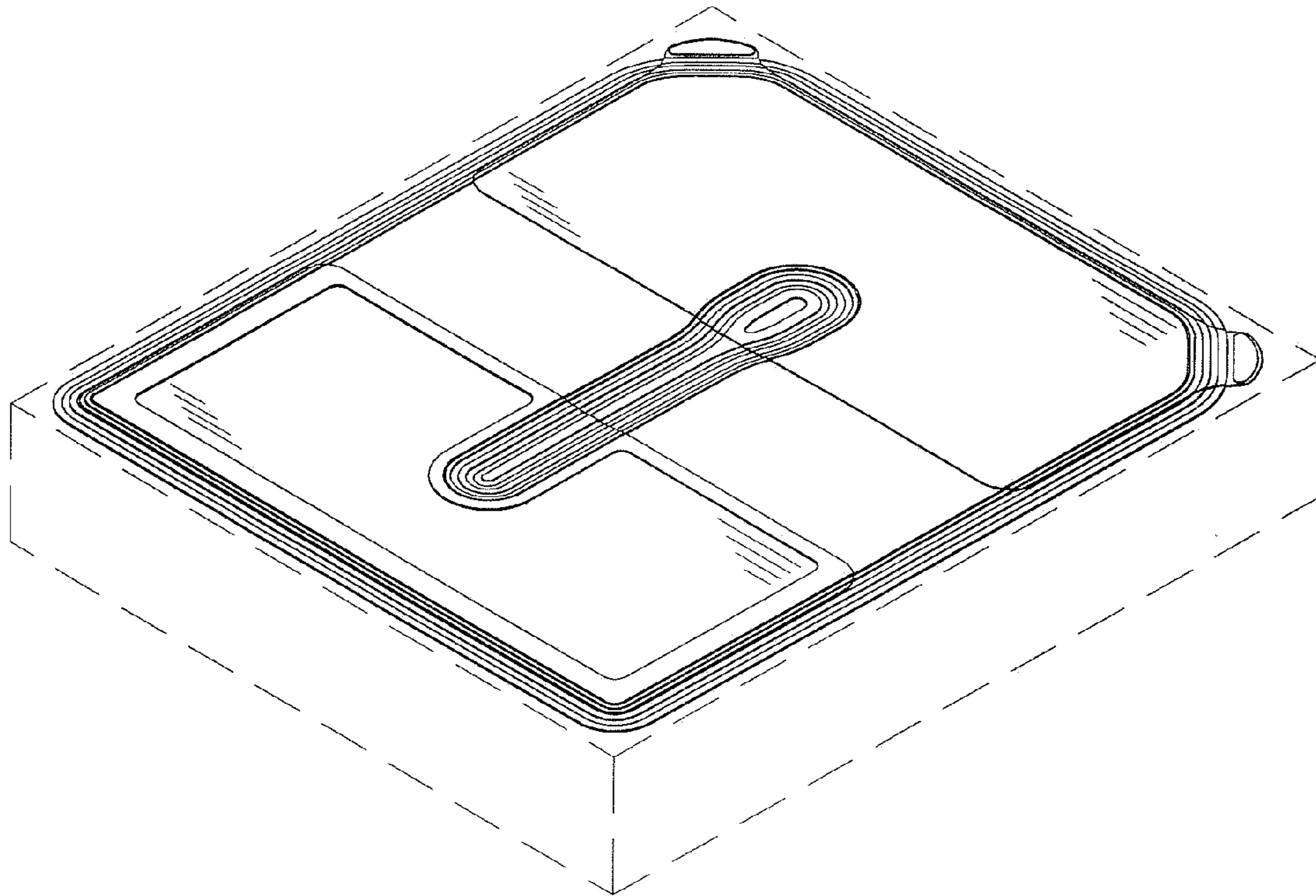


FIG. 10

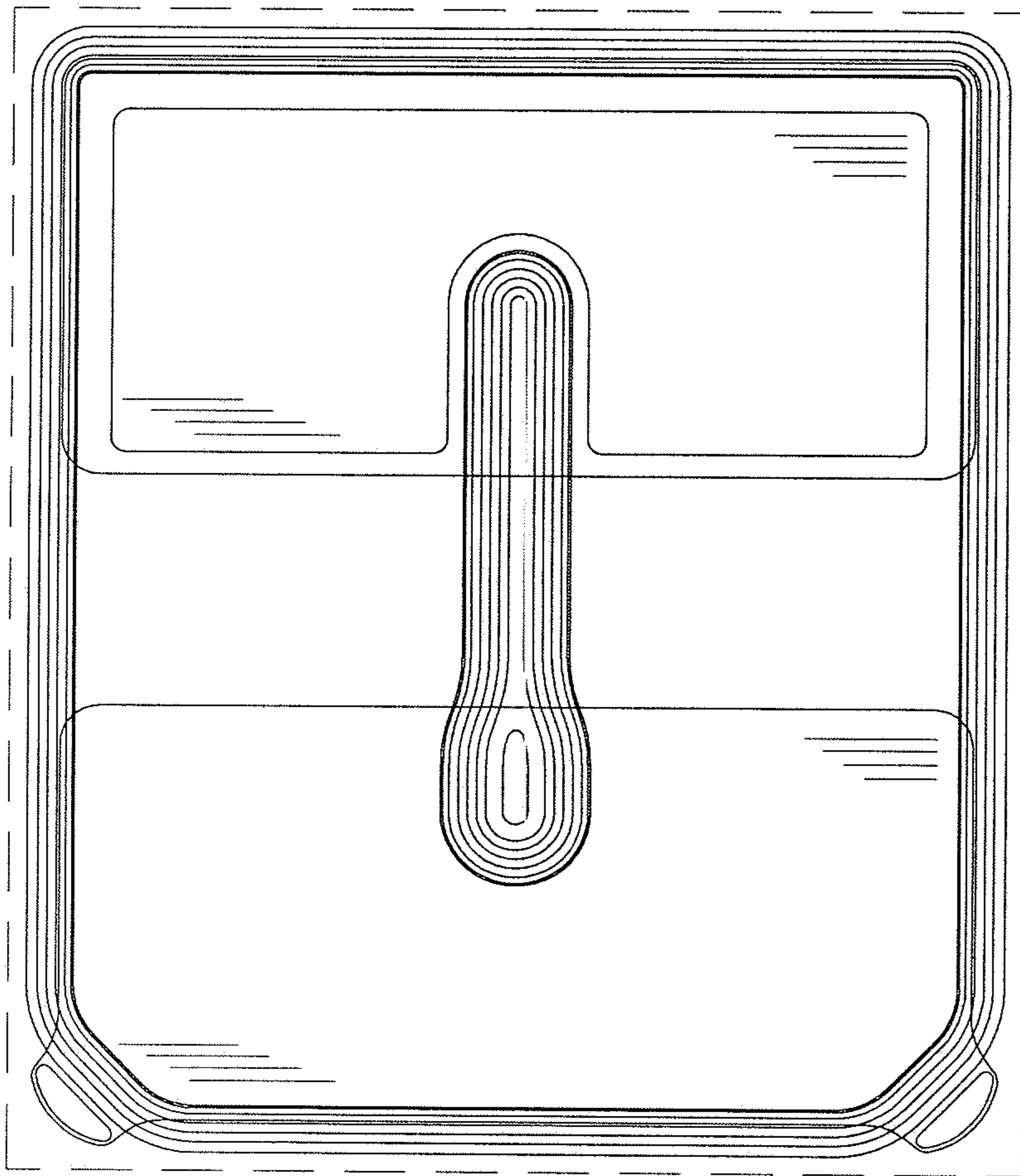


FIG. 11



**FIG. 12**

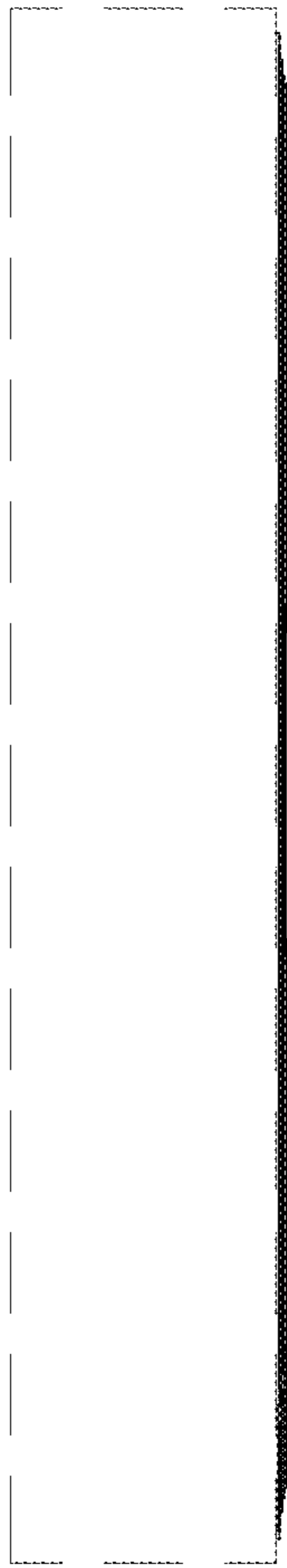


FIG. 13

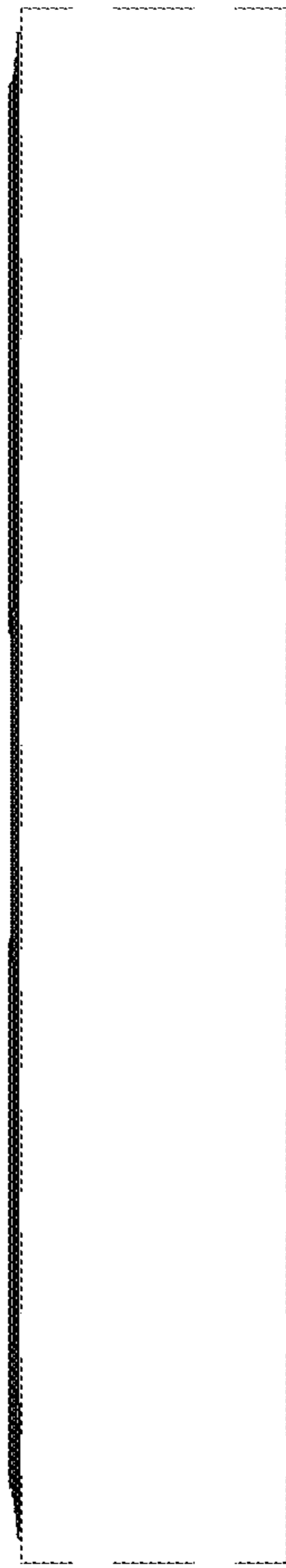


FIG. 14



FIG. 15



FIG. 16