



US00D760174S

(12) **United States Design Patent**
Rizzi et al.

(10) **Patent No.:** **US D760,174 S**
(45) **Date of Patent:** **** Jun. 28, 2016**

(54) **SWITCHING DEVICE FOR AN ELECTRICAL SWITCHGEAR**

(71) Applicant: **ABB Technology AG**, Zurich (CH)

(72) Inventors: **Corrado Rizzi**, Forno S. Guiovanni (IT); **Francesco Belloni**, Bergamo (IT)

(73) Assignee: **ABB Technology AG**, Zurich (CH)

(**) Term: **14 Years**

(21) Appl. No.: **29/516,959**

(22) Filed: **Feb. 9, 2015**

D583,332 S 12/2008 Shang
8,440,930 B2 5/2013 Lee
D686,165 S 7/2013 Bullock et al.
D692,839 S 11/2013 Shang
D693,313 S 11/2013 Bullock et al.
D698,321 S 1/2014 Arioka et al.
D703,152 S 4/2014 Holaus et al.
8,729,985 B2 5/2014 Bullock et al.

(Continued)

FOREIGN PATENT DOCUMENTS

CN 200720305137.3 12/2008
CN 201020127364.3 4/2011

(Continued)

OTHER PUBLICATIONS

ABB Catalogue, "SFG Gas-insulated indoor switch disconnecter", Release date 2009.

Primary Examiner — Thomas Johannes
Assistant Examiner — Shawn T Gingrich
(74) *Attorney, Agent, or Firm* — Polsinelli PC

Related U.S. Application Data

(62) Division of application No. 29/444,382, filed on Jan. 30, 2013, now Pat. No. Des. 726,126.

Foreign Application Priority Data

Jul. 31, 2012 (EM) 002081570

(51) **LOC (10) Cl.** **13-03**

(52) **U.S. Cl.**
USPC **D13/158**

(58) **Field of Classification Search**
USPC D13/110, 123, 133, 147, 149, 158-161,
D13/174, 184, 199
CPC H01H 9/02; H01H 33/666; H01H 33/02;
H01H 31/28; H01H 77/00; H02B 13/075;
H02B 13/01
See application file for complete search history.

References Cited

U.S. PATENT DOCUMENTS

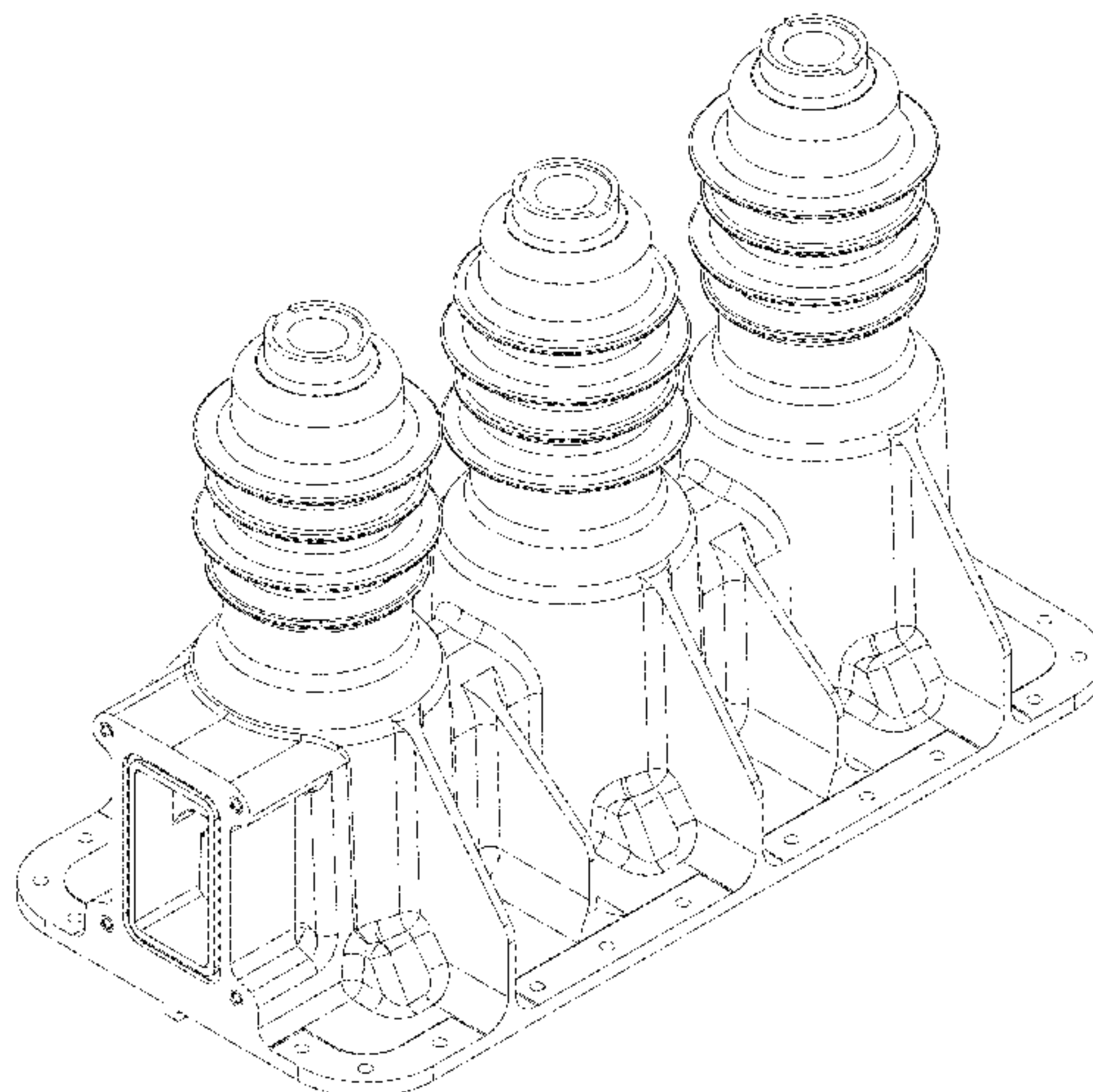
4,527,028 A 7/1985 Luehring
5,600,112 A * 2/1997 Opfer H01H 33/02
218/154
6,198,062 B1 3/2001 Mather et al.

(57) **CLAIM**
The ornamental design for switching device for an electrical switchgear, as shown and described.

DESCRIPTION

FIG. 1 is an isometric view of a switching device for an electrical switchgear showing the new design;
FIG. 2 is a front view thereof;
FIG. 3 is a rear view thereof;
FIG. 4 is a left view thereof;
FIG. 5 is a right view thereof;
FIG. 6 is a top view thereof; and,
FIG. 7 is a bottom view thereof.
The broken line portion of the figure drawings is included to show portions of the article that forms no part of the claimed design.

1 Claim, 7 Drawing Sheets



(56)

References Cited

FOREIGN PATENT DOCUMENTS

U.S. PATENT DOCUMENTS

D726,126 S * 4/2015 Rizzi D13/158
2007/0261946 A1 11/2007 Yu
2011/0155697 A1 6/2011 Lee
2013/0187733 A1 7/2013 Bullock et al.
2013/0248338 A1 9/2013 Belloni et al.

DE 202010005246 U1 9/2010
EP 1928065 A1 6/2008
RU 99899 U1 11/2010

* cited by examiner

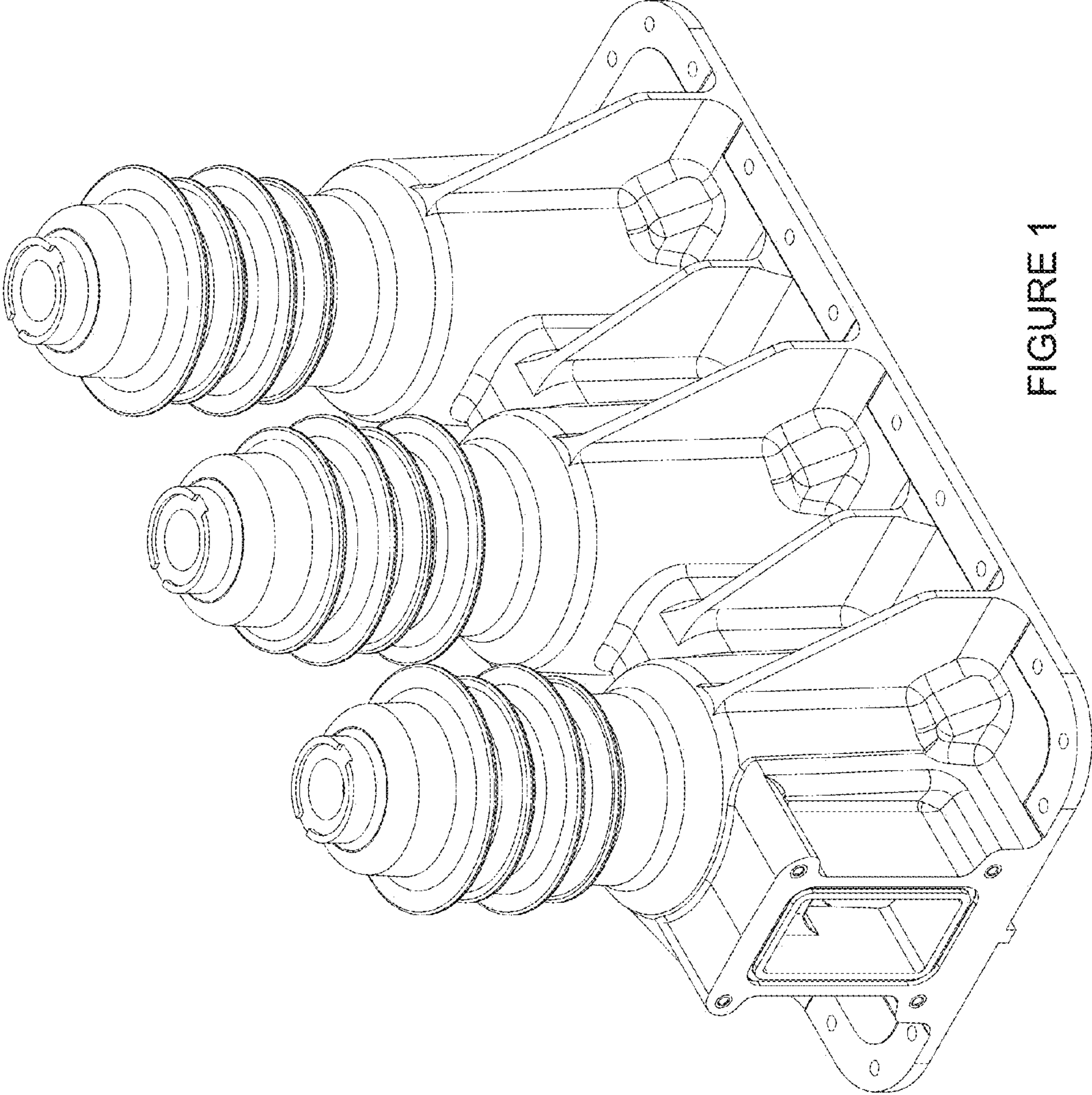


FIGURE 1

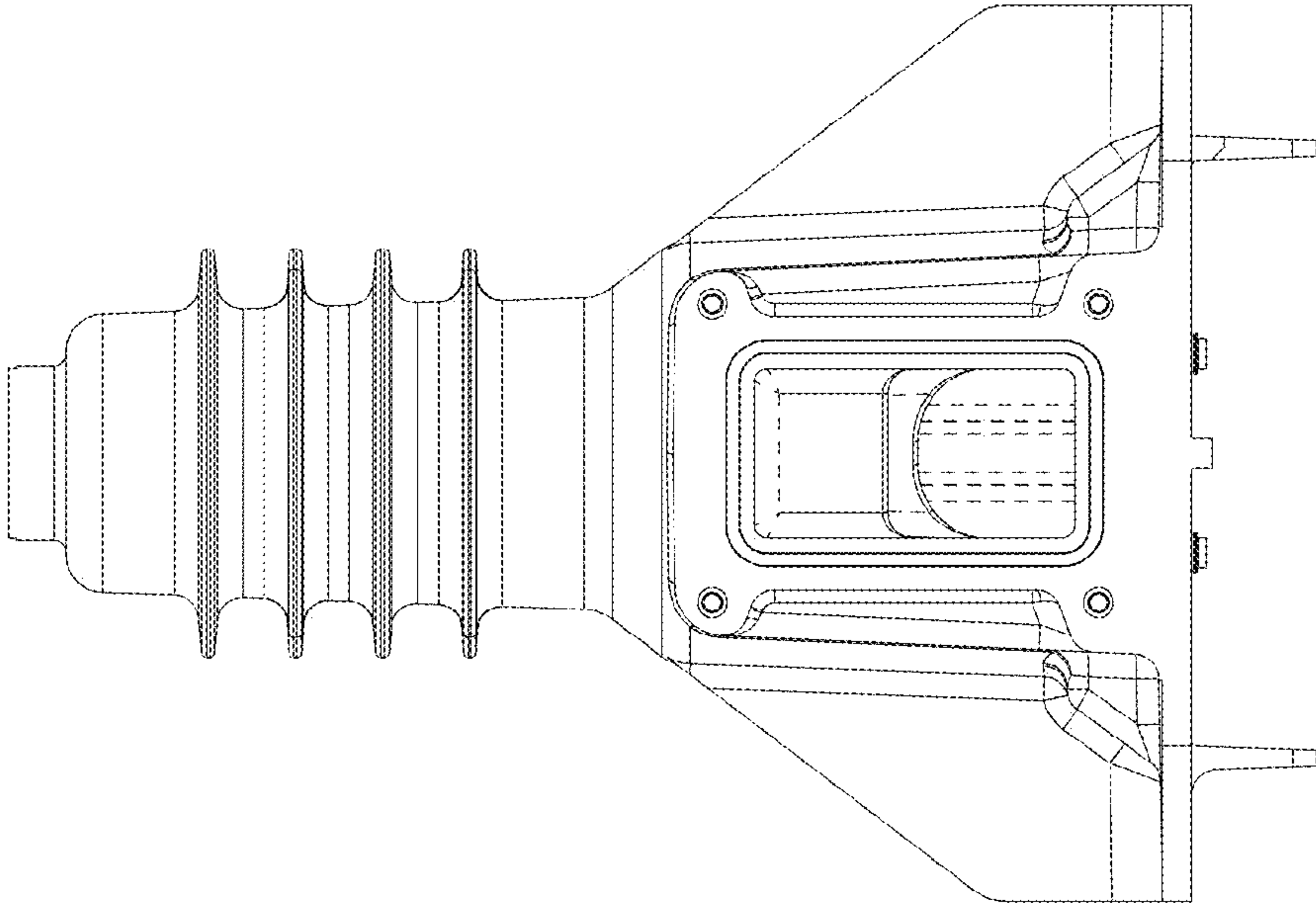


FIGURE 2

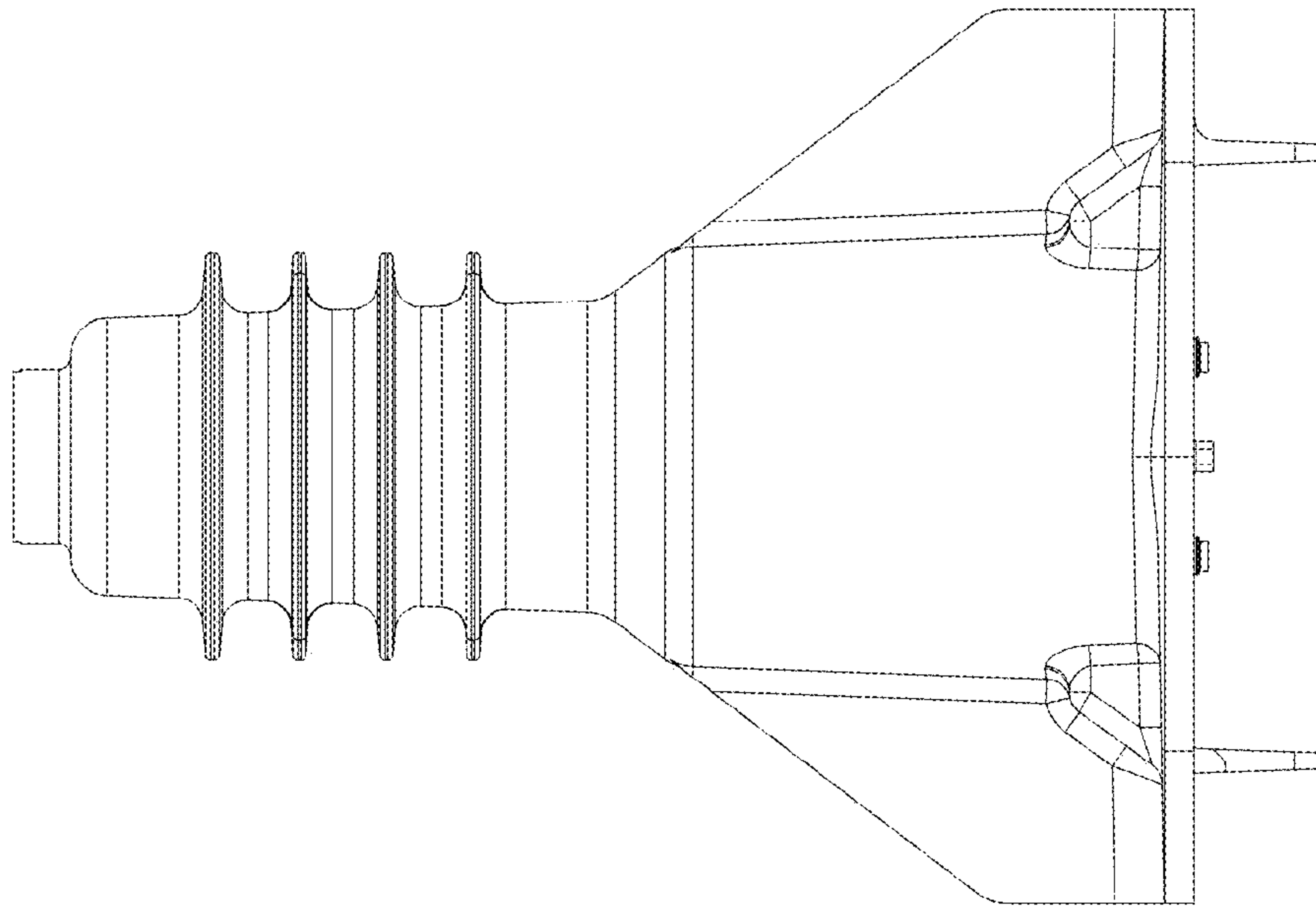


FIGURE 3

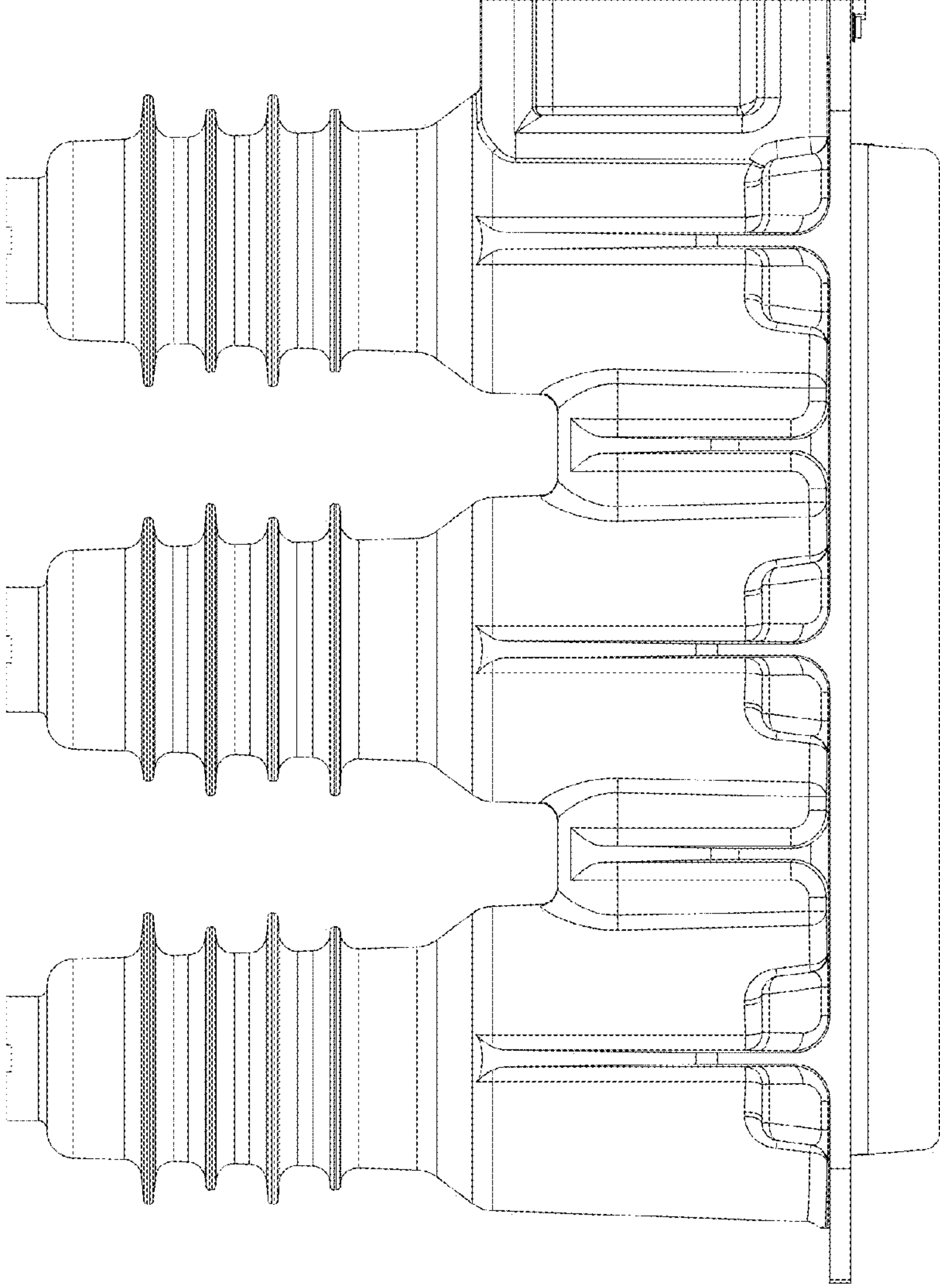


FIGURE 4

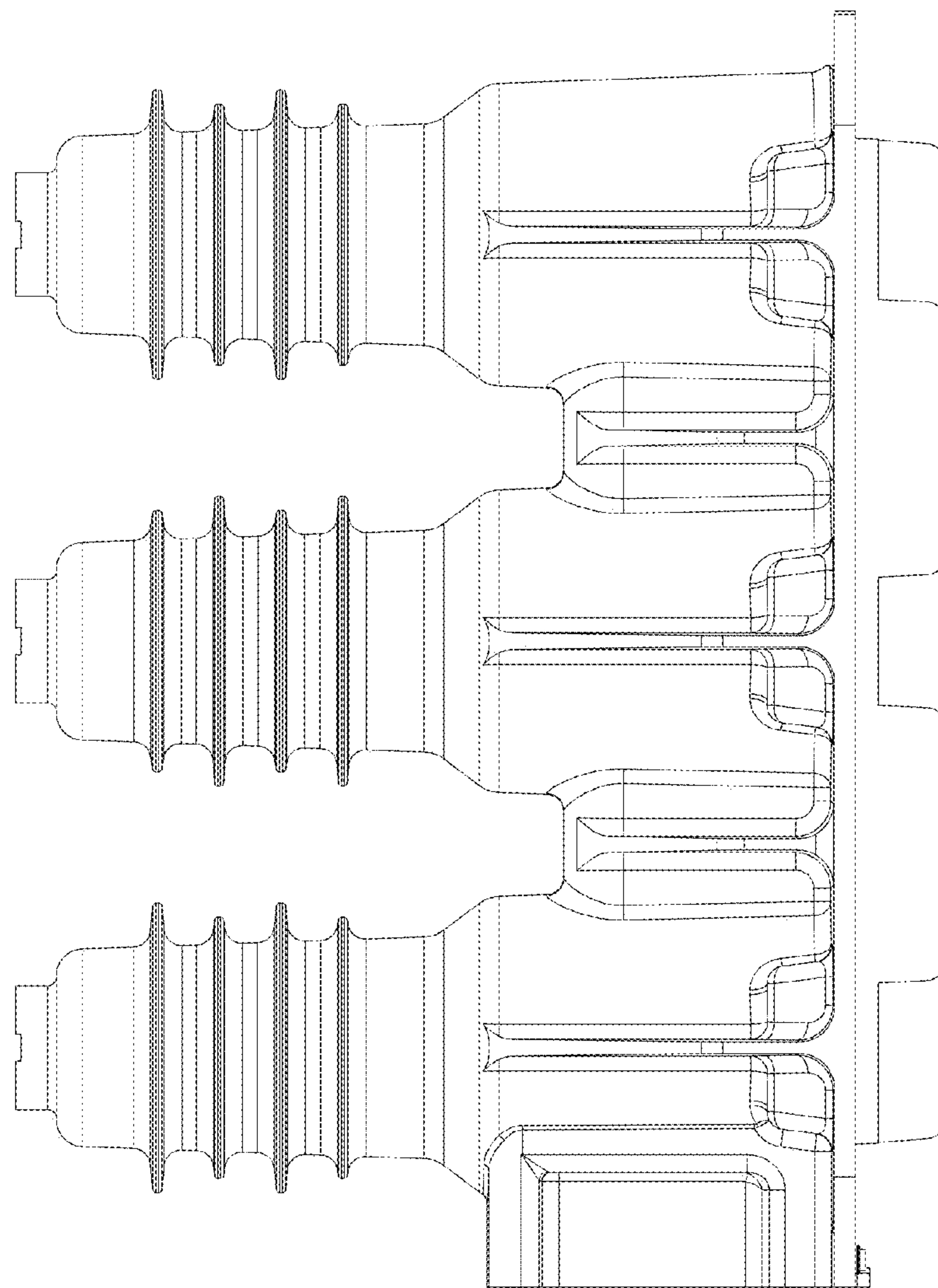


FIGURE 5

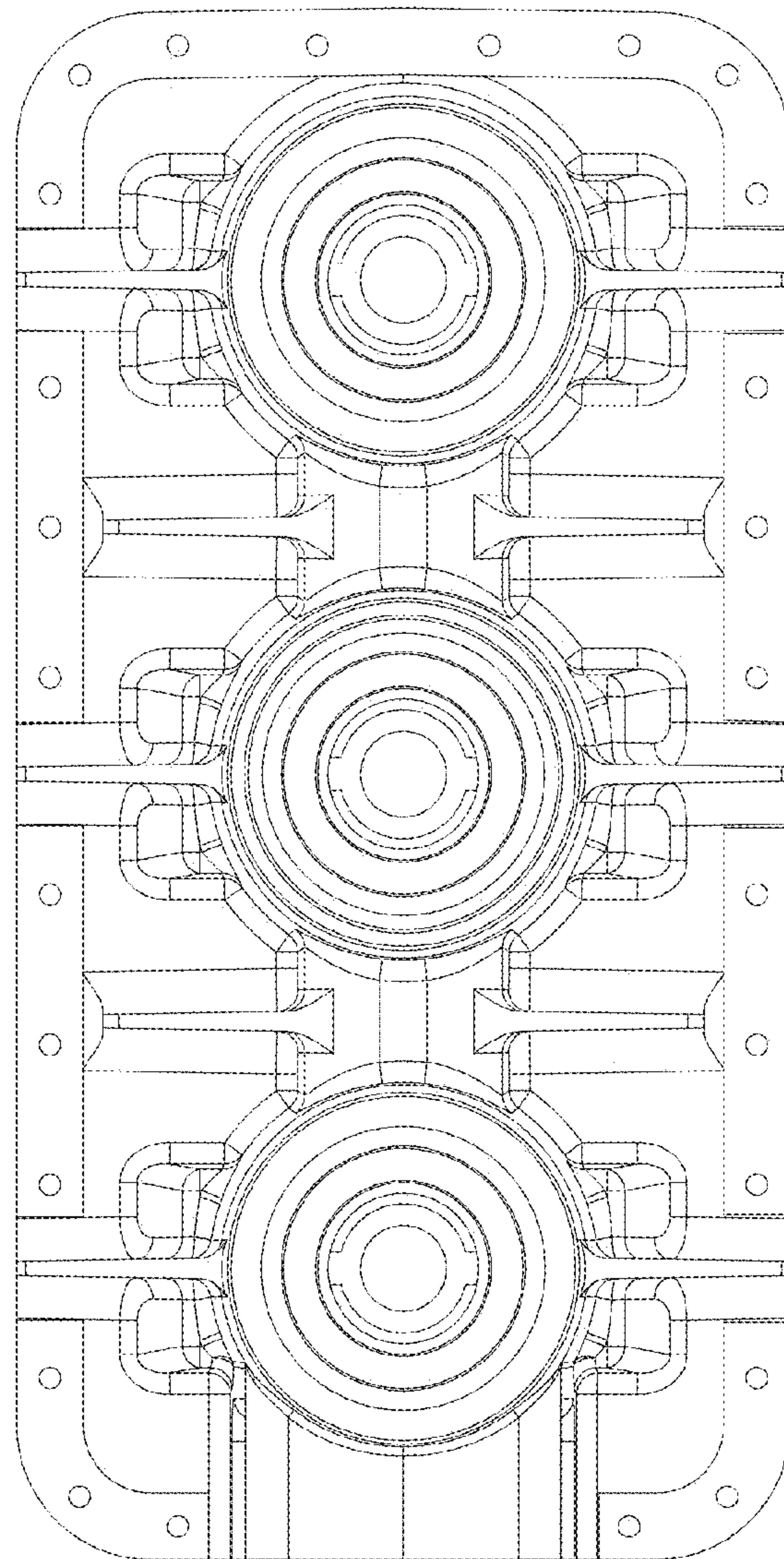


FIGURE 6

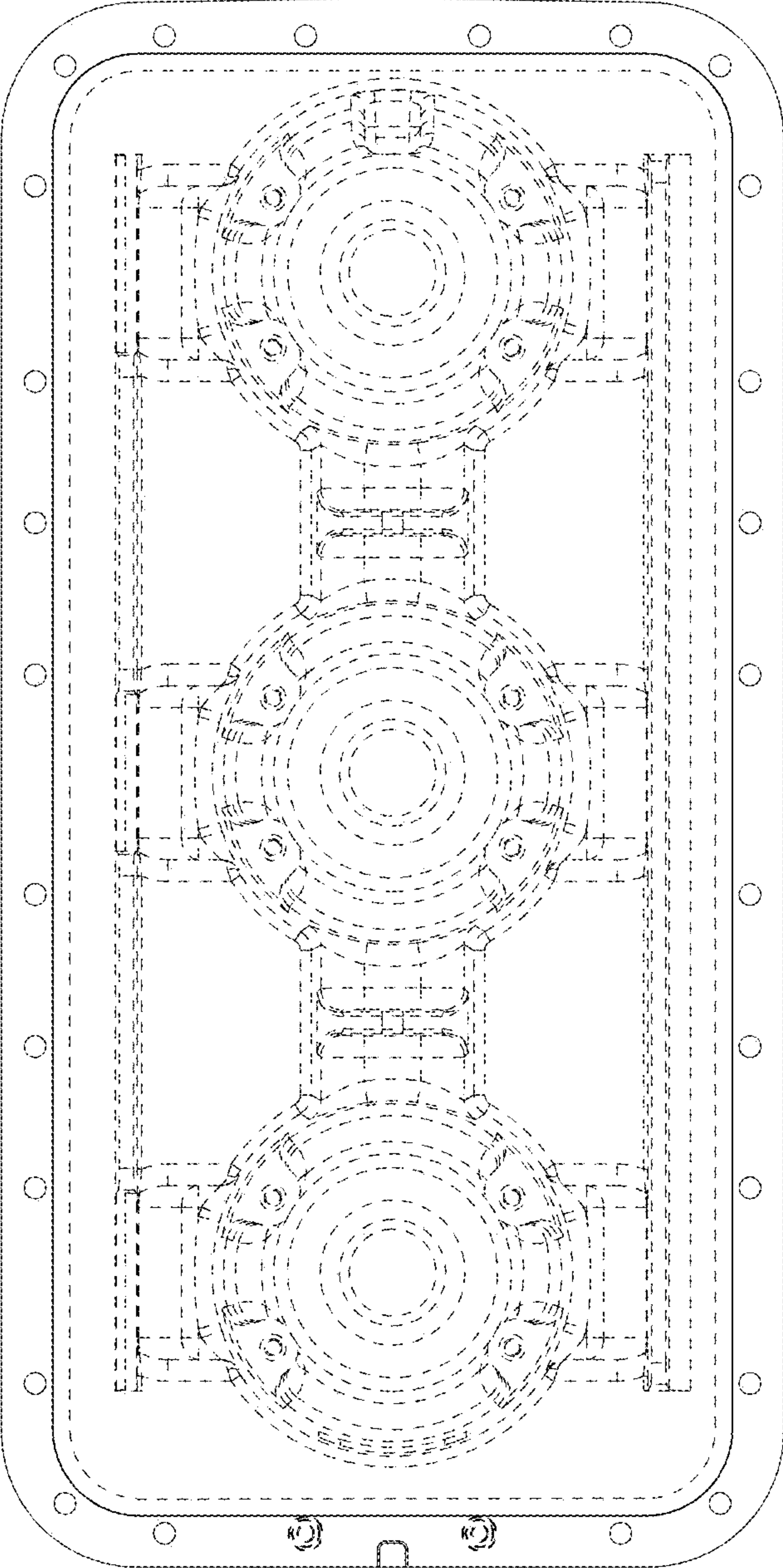


FIGURE 7