



US00D760173S

(12) **United States Design Patent**
Baker

(10) **Patent No.:** **US D760,173 S**
(45) **Date of Patent:** **** Jun. 28, 2016**

- (54) **OUTLET COVER**
- (71) Applicant: **Jeffrey Baker**, Mullica Hill, NJ (US)
- (72) Inventor: **Jeffrey Baker**, Mullica Hill, NJ (US)
- (**) Term: **14 Years**
- (21) Appl. No.: **29/526,686**
- (22) Filed: **May 12, 2015**
- (51) **LOC (10) Cl.** **13-03**
- (52) **U.S. Cl.**
USPC **D13/156**
- (58) **Field of Classification Search**
USPC D13/156, 139.1, 152, 155, 154; 174/53,
174/55, 67; 220/3.3, 3.5, 3.8; 439/92, 536,
439/650; D8/349-351, 353
CPC H01R 13/443; H01R 13/447; H02G 3/14
See application file for complete search history.

6,803,522 B2 * 10/2004 Skakun H02G 3/14
174/50
D510,256 S * 10/2005 Genelle D8/353
D577,986 S * 10/2008 Jarvis D8/353
D644,895 S * 9/2011 Erdfarb D8/14
8,212,146 B1 * 7/2012 Moore H01R 13/447
174/66
D735,678 S * 8/2015 Wyatt D13/156
2003/0056968 A1 * 3/2003 Skakun H02G 3/14
174/66

* cited by examiner

Primary Examiner — Derrick Holland
Assistant Examiner — Jennifer O King
(74) *Attorney, Agent, or Firm* — Stuart M. Goldstein

(57) **CLAIM**

The ornamental design for an outlet cover, as shown and described.

DESCRIPTION

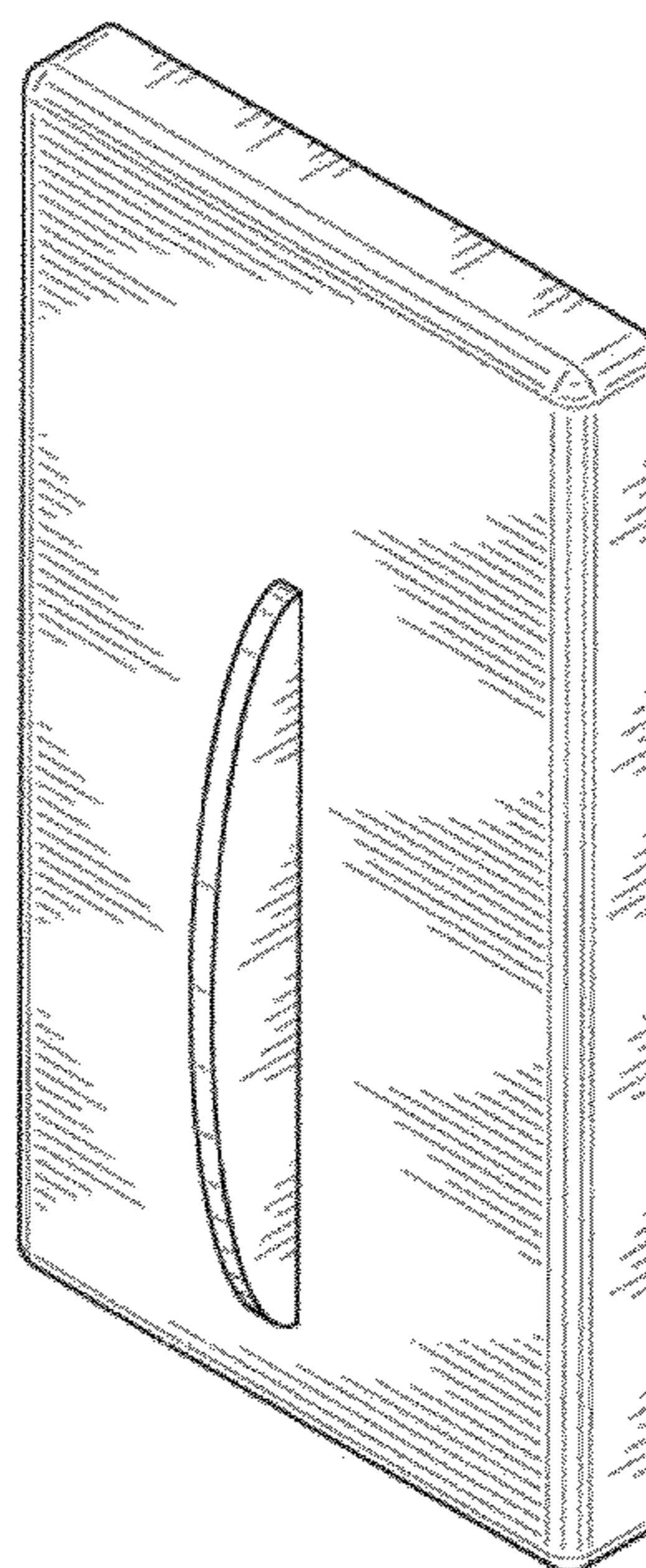
FIG. 1 is a top perspective view of the outlet cover of the present invention;
FIG. 2 is a bottom perspective view thereof;
FIG. 3 is a top view thereof;
FIG. 4 is a bottom view thereof;
FIG. 5 is an elevation view thereof;
FIG. 6 is an opposite elevation view thereof;
FIG. 7 is a front view thereof;
FIG. 8 is a rear view thereof; and,
FIG. 9 is a perspective view thereof shown in context of use. The broken lines shown represent unclaimed subject matter and form no part of the claimed design.

1 Claim, 6 Drawing Sheets

(56) **References Cited**

U.S. PATENT DOCUMENTS

- 3,686,616 A * 8/1972 Bowerman H01R 13/443
24/511
- D279,860 S * 7/1985 Schwalbe D13/177
- 5,003,128 A * 3/1991 Grondin B05B 15/045
118/505
- 5,285,014 A * 2/1994 Gilchrist B05B 15/045
118/505
- 6,103,974 A * 8/2000 Erdfarb B05B 15/045
174/66
- 6,317,995 B1 * 11/2001 Hoffmann, Sr. E04F 21/00
33/528



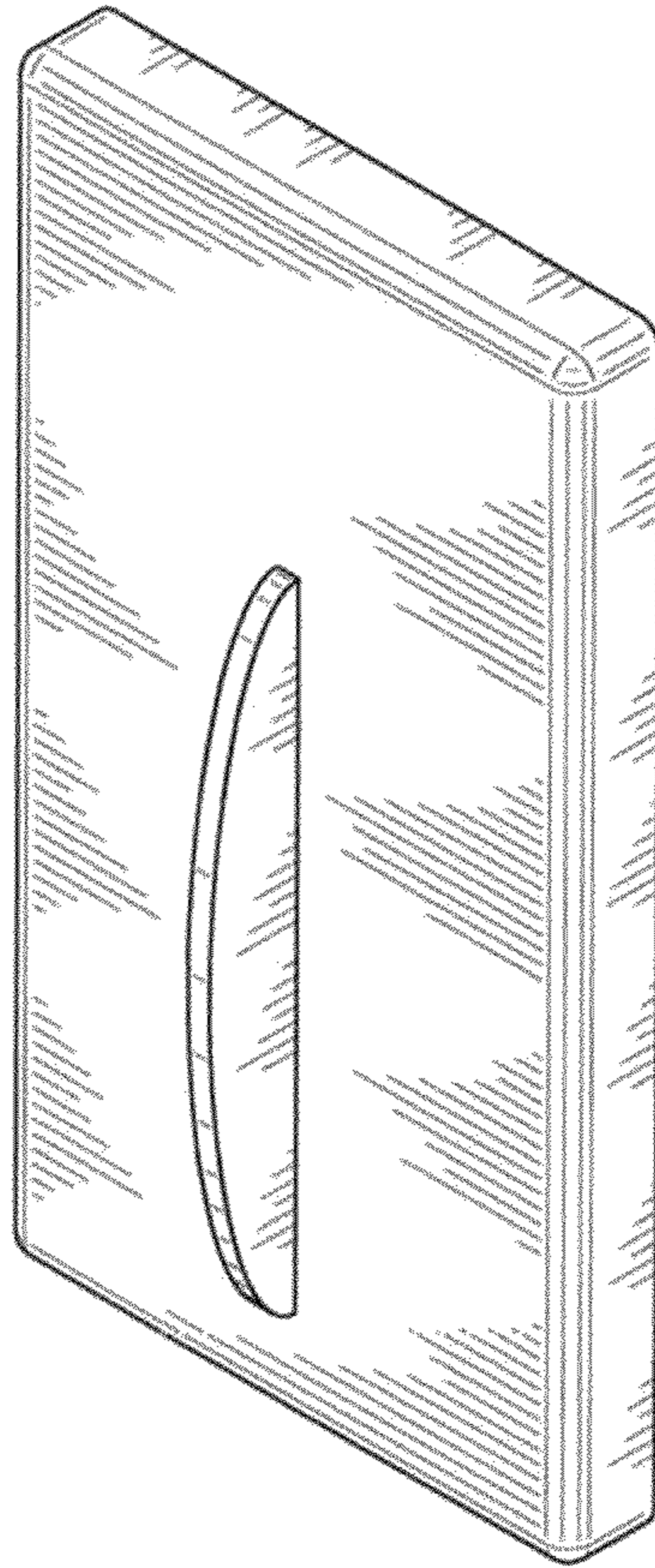


FIG. 1

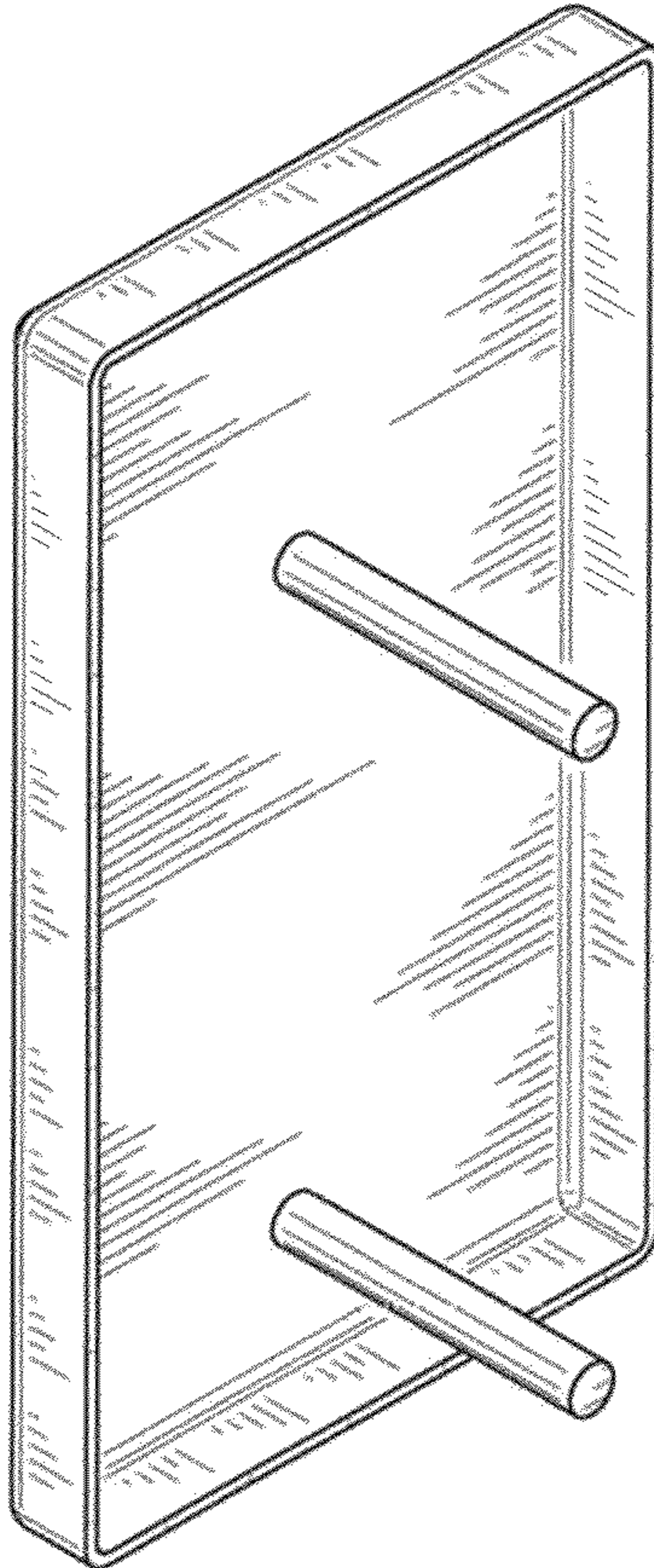


FIG. 2

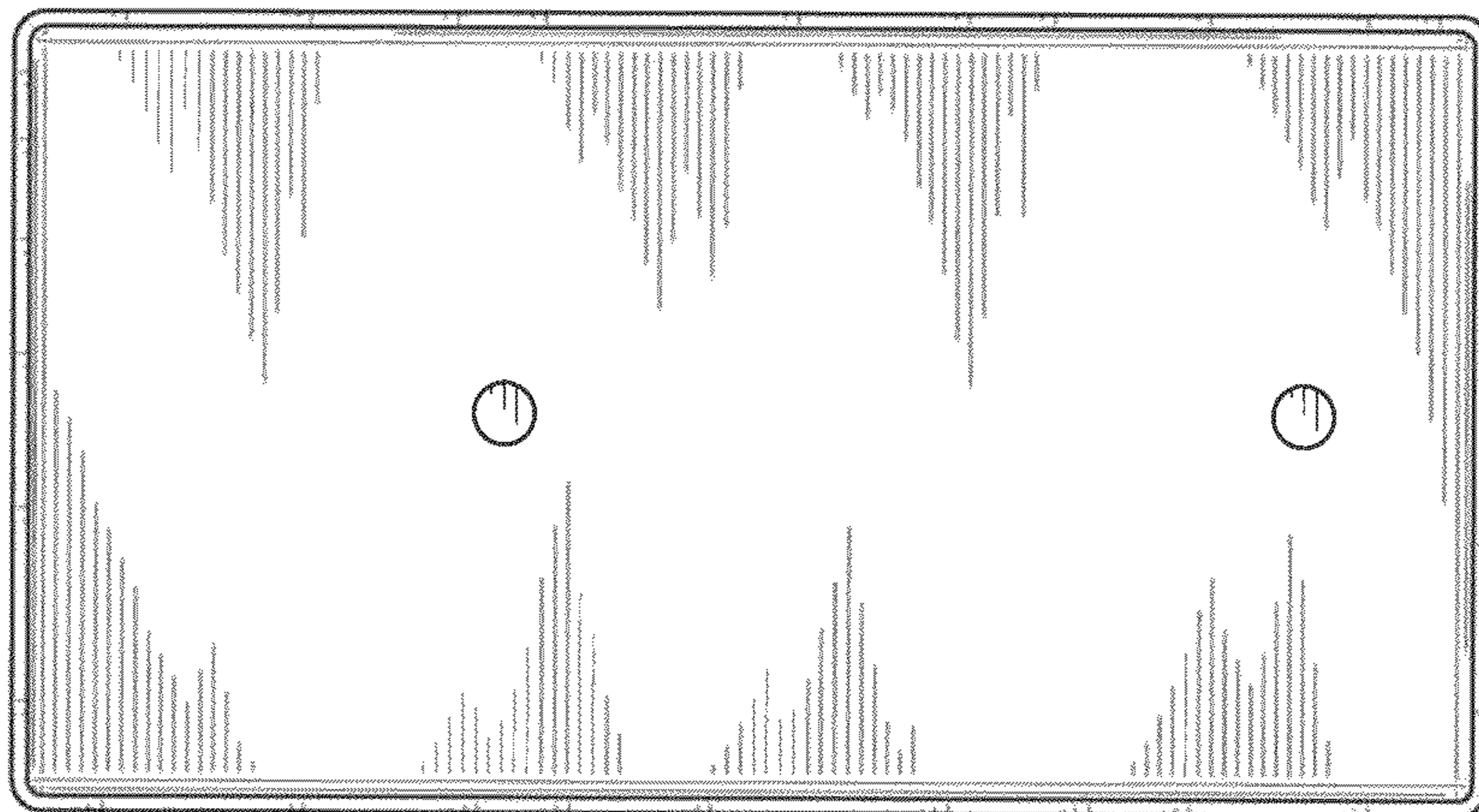


FIG. 4

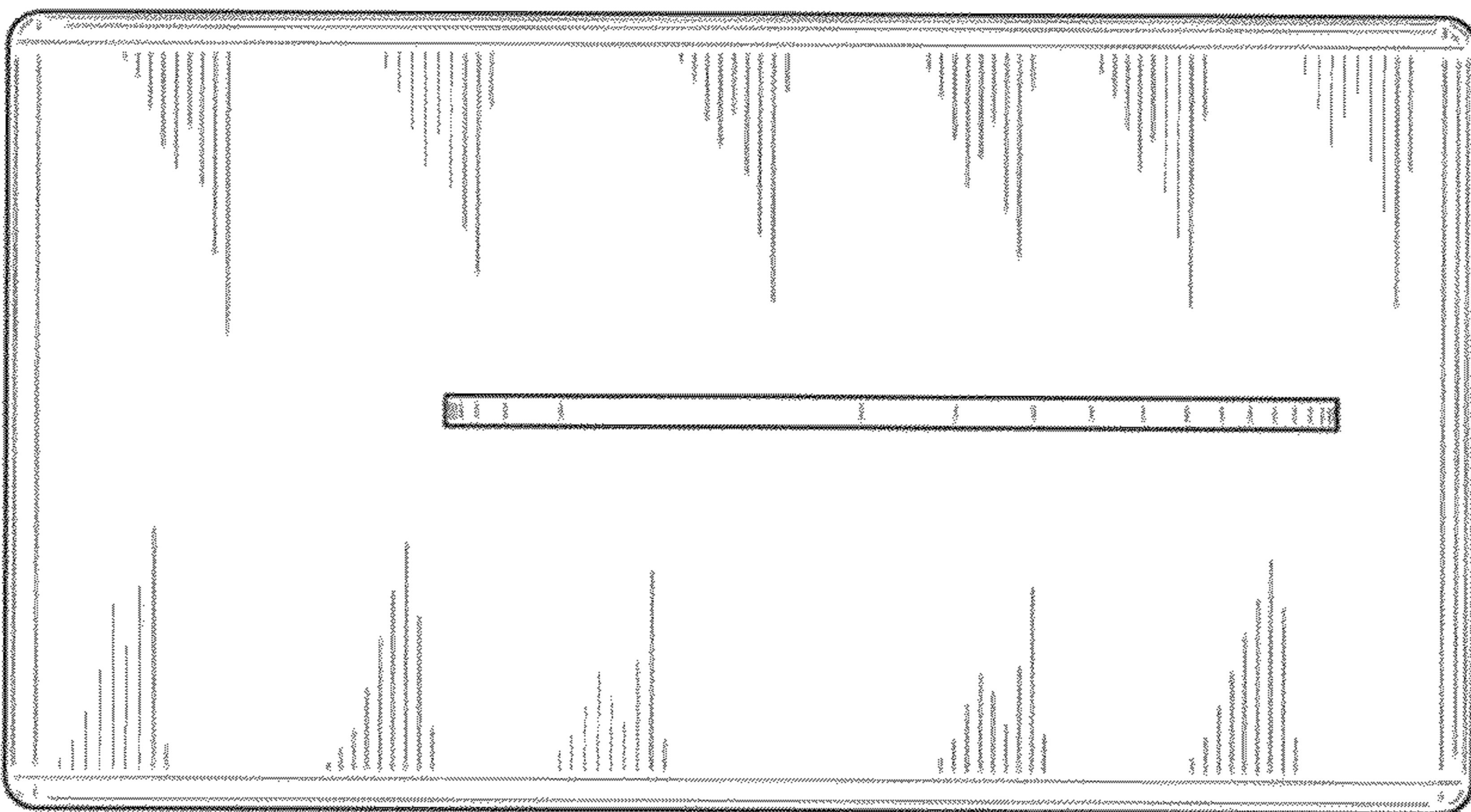


FIG. 3

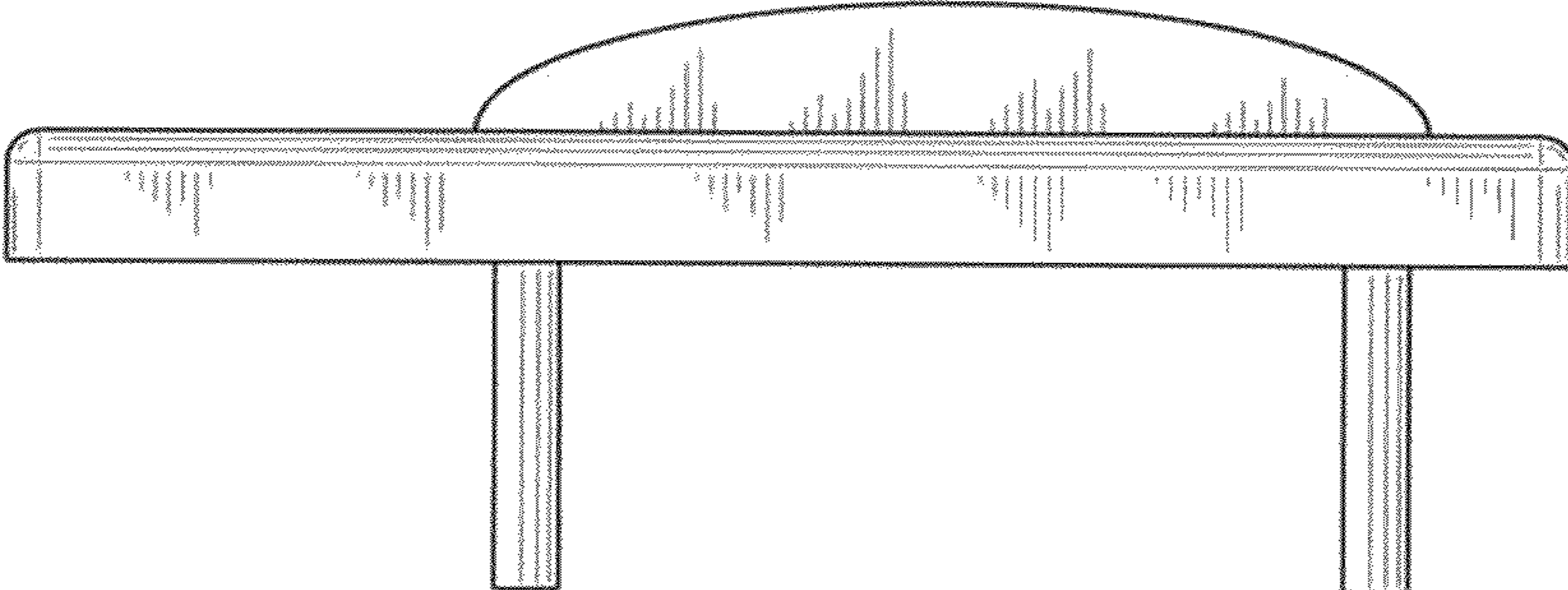


FIG. 5

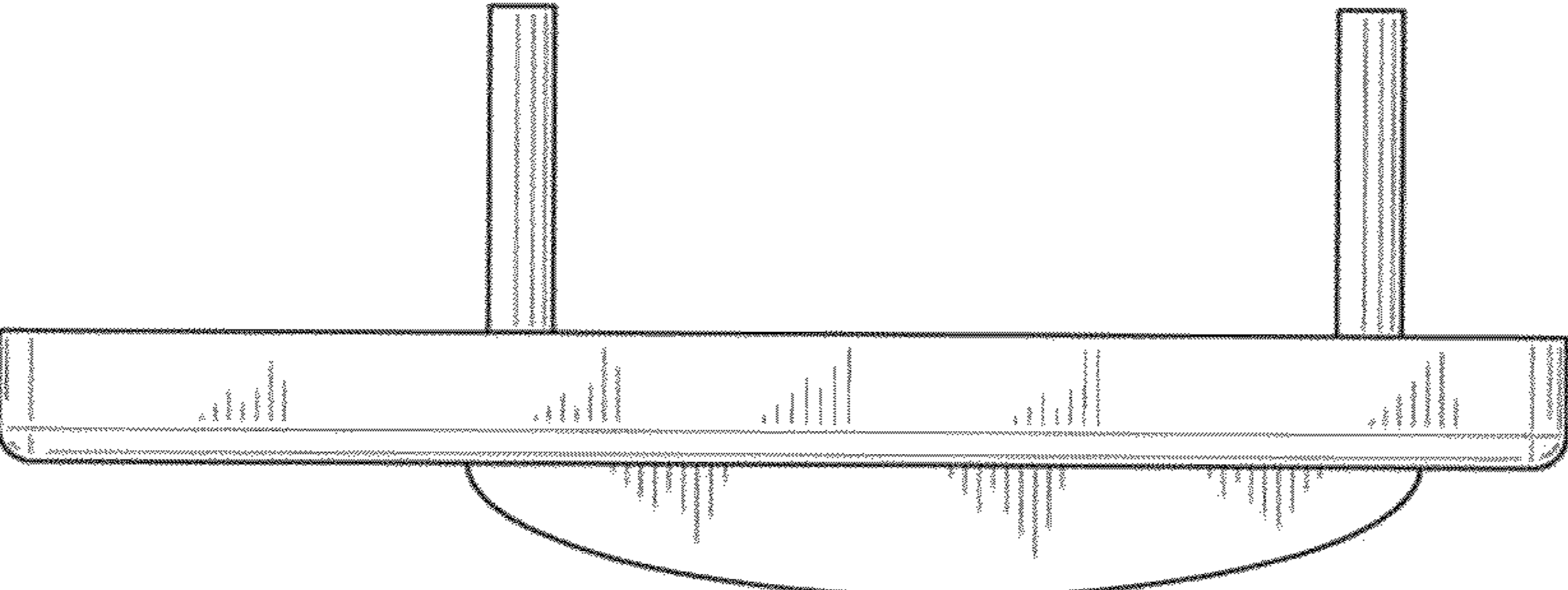


FIG. 6

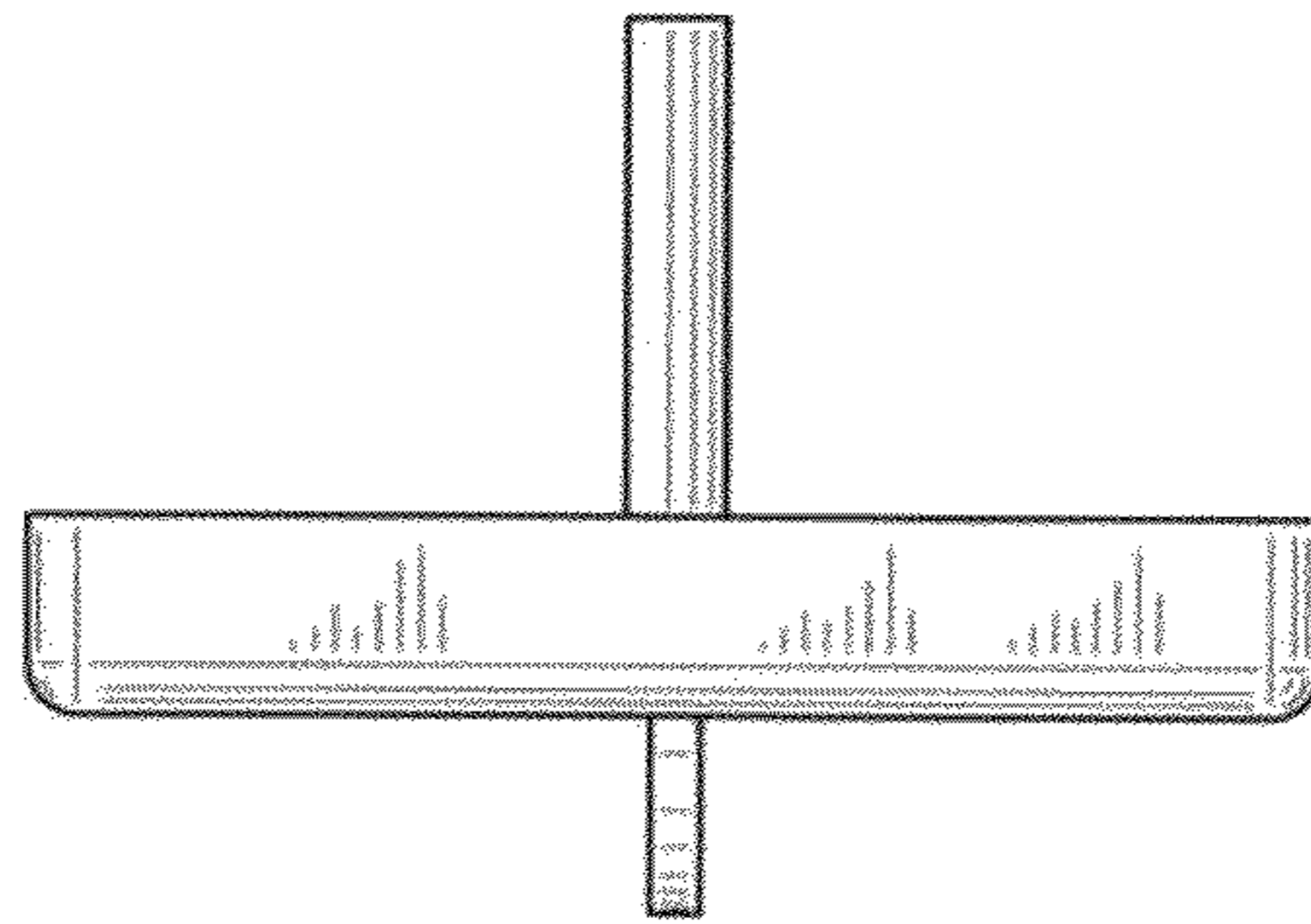


FIG. 7

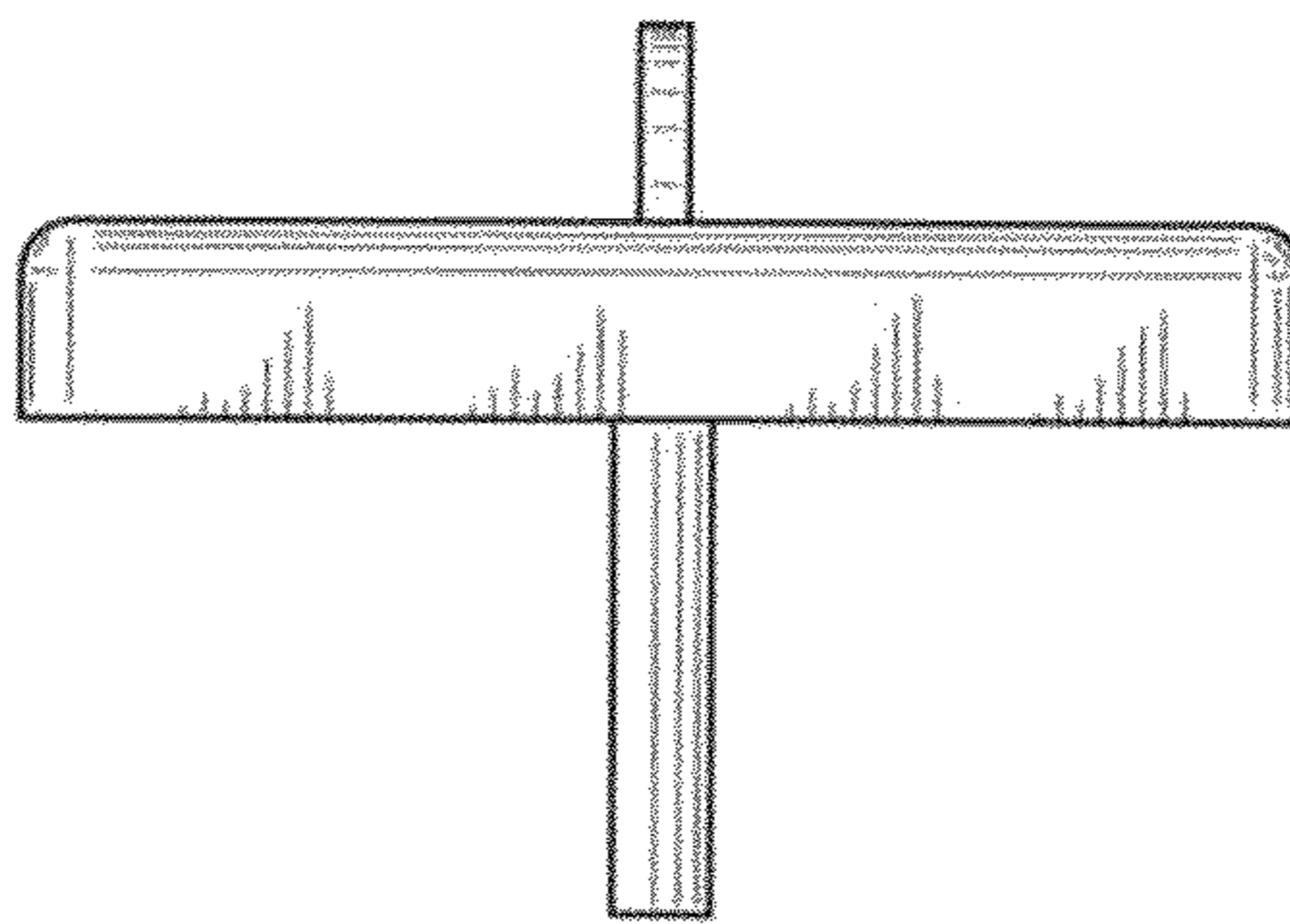


FIG. 8

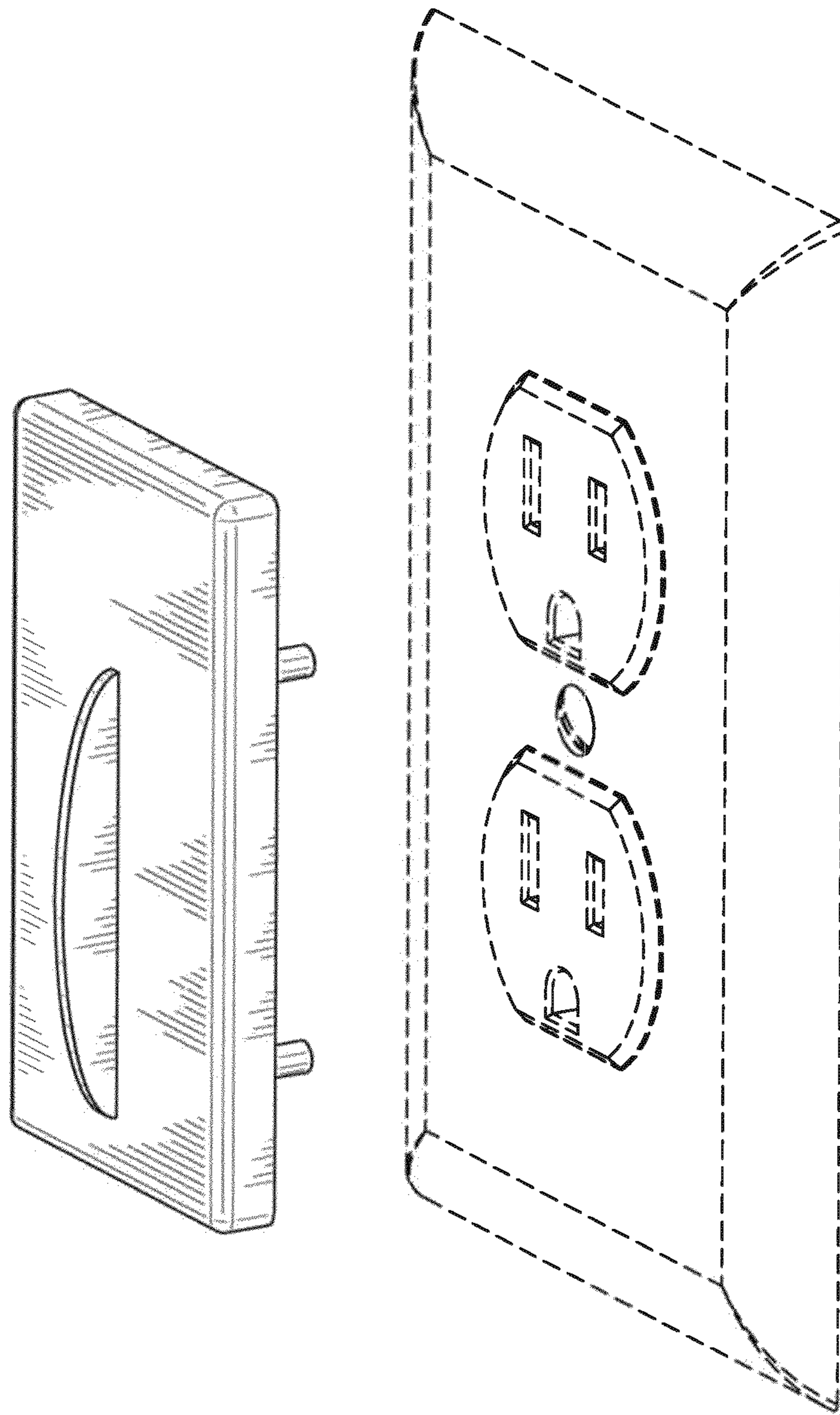


FIG. 9