



US00D760171S

(12) **United States Design Patent**
Howard et al.

(10) **Patent No.:** **US D760,171 S**
(45) **Date of Patent:** **** Jun. 28, 2016**

(54) **CABLE HANDLER**
(71) Applicant: **ACTEURO LIMITED**,
Nottinghamshire (GB)
(72) Inventors: **Peter Howard**, Lilli Pilli (AU); **Andrew McKenna**, Nottinghamshire (GB)
(73) Assignee: **ACTEURO LIMITED**,
Nottinghamshire (GB)
(**) Term: **14 Years**
(21) Appl. No.: **29/492,852**
(22) Filed: **Jun. 3, 2014**

6,065,278 A * 5/2000 Weber H02G 11/006
248/49
D526,278 S * 8/2006 Heary, Sr. D13/154
2004/0237498 A1 * 12/2004 Komiya F16G 13/16
59/78.1
2005/0056114 A1 * 3/2005 Utaki F16G 13/16
74/502.6
2005/0198937 A1 * 9/2005 Komiya F16G 13/16
59/78.1
2006/0219421 A1 * 10/2006 Kitagawa F16G 13/16
174/19
2008/0251630 A1 * 10/2008 Nehring F16G 13/16
242/615
2013/0161453 A1 * 6/2013 Hsieh H02G 3/0475
248/73
2014/0020358 A1 * 1/2014 Blase F16G 13/16
59/78.1
2015/0128556 A1 * 5/2015 Hermey H02G 11/006
59/78.1

(30) **Foreign Application Priority Data**
Dec. 3, 2013 (AU) 16310/2013
(51) **LOC (10) Cl.** **13-03**
(52) **U.S. Cl.**
USPC **D13/155**
(58) **Field of Classification Search**
USPC D8/354, 356, 394-396, 499; D13/110,
D13/123, 133, 146, 147, 154, 184, 199
CPC F16F 3/02; F16G 13/00; F16G 13/16;
F16L 3/22; H02G 11/006; G02B 6/00; G02B
6/36
See application file for complete search history.

* cited by examiner
Primary Examiner — Thomas Johannes
Assistant Examiner — Shawn T Gingrich

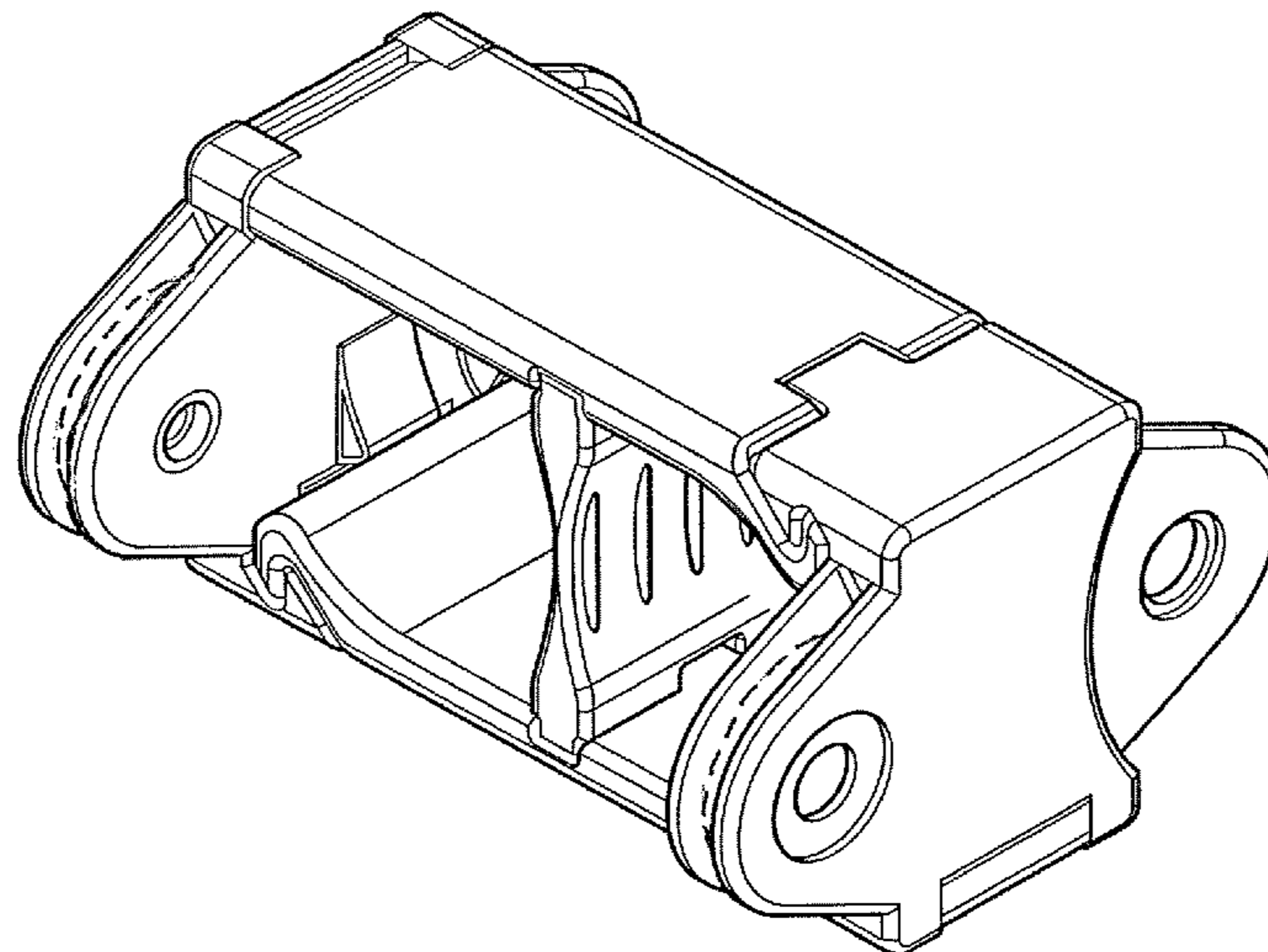
(56) **References Cited**
U.S. PATENT DOCUMENTS
4,104,871 A * 8/1978 Moritz F16G 13/16
248/49
D329,374 S * 9/1992 Kaga D8/356
5,642,612 A * 7/1997 Hughes F16G 13/16
248/49

(57) **CLAIM**
The ornamental design for the cable handler, as shown and described.

DESCRIPTION

FIG. 1 is a rear view of the cable handler;
FIG. 2 is a top view of the cable handler;
FIG. 3 is a top isometric view of the cable handler;
FIG. 4 is a bottom isometric view of the cable handler; and,
FIG. 5 is a front isometric view of the cable handler with a wing open.
The broken line portion of the figure drawings is included to show boundaries that form no part of the claimed design.

1 Claim, 3 Drawing Sheets



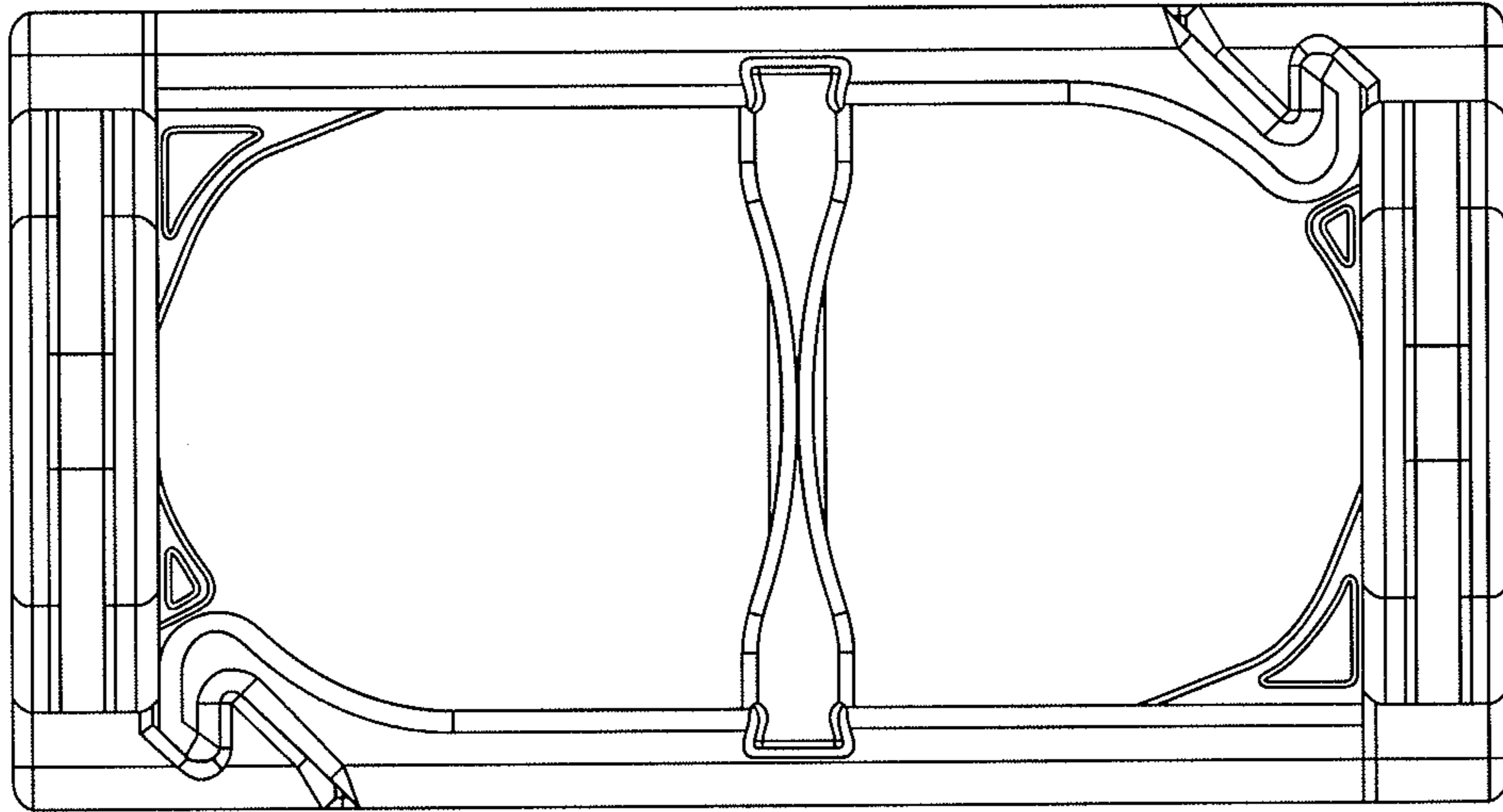


FIG. 1

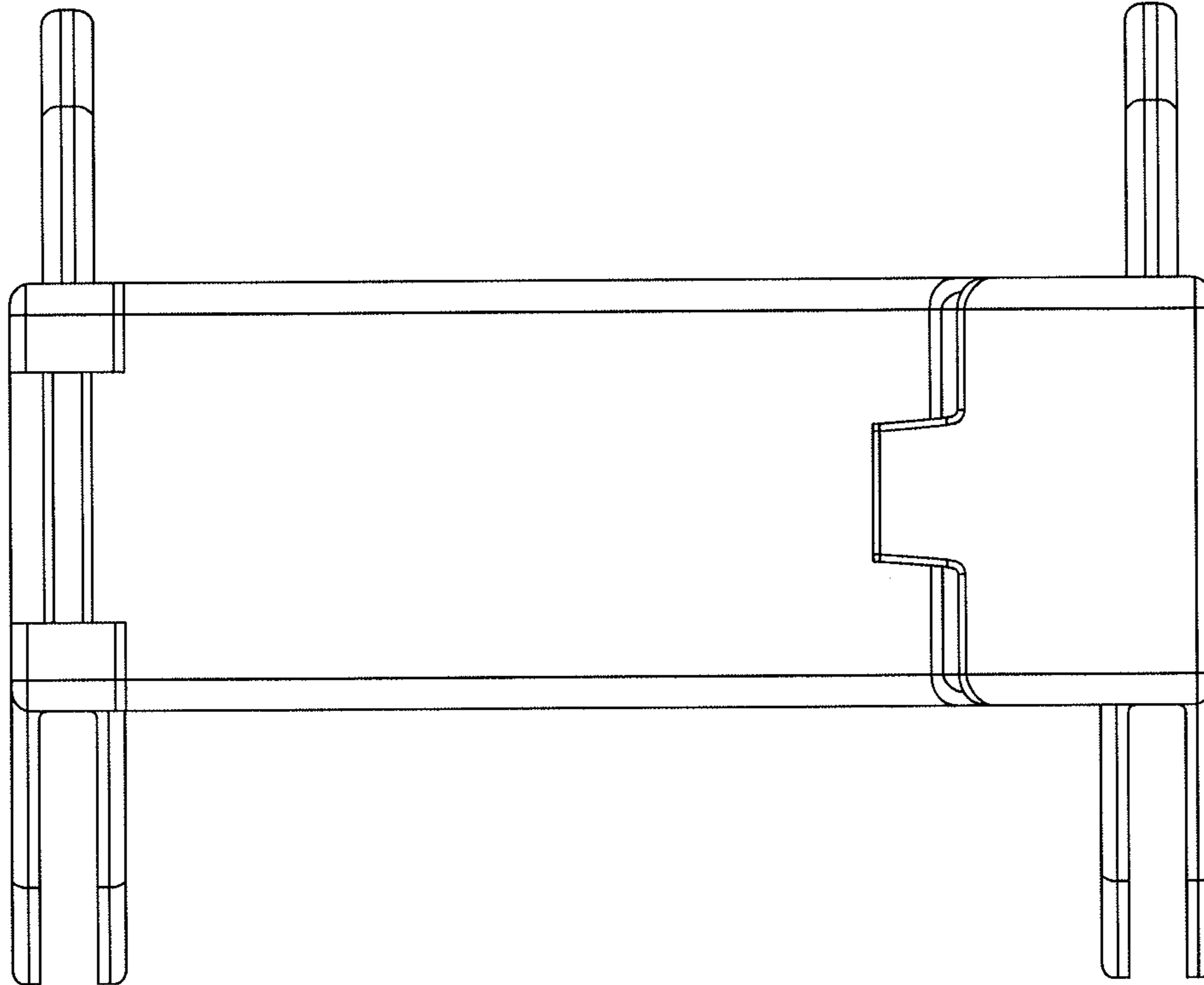


FIG. 2

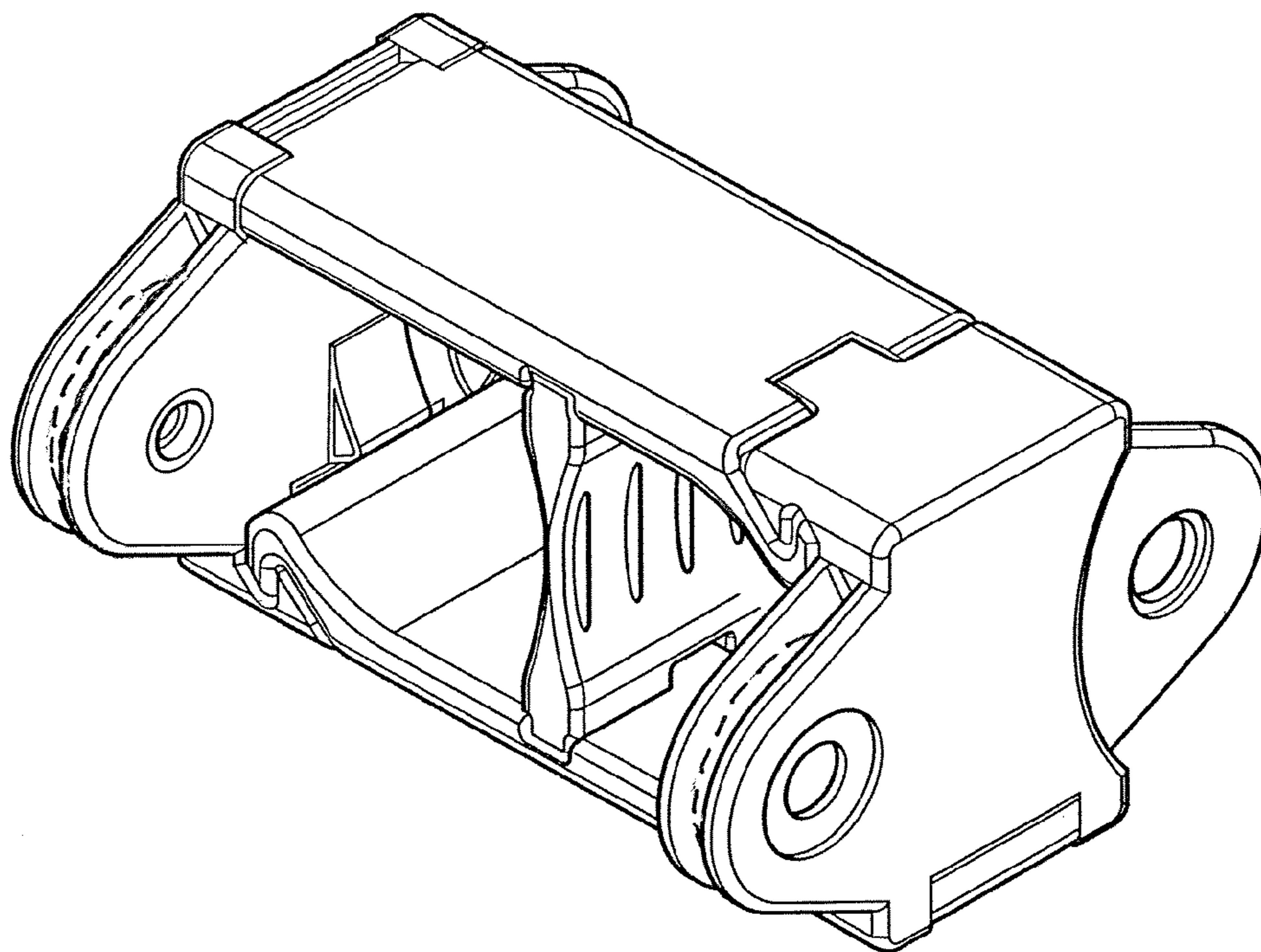


FIG. 3

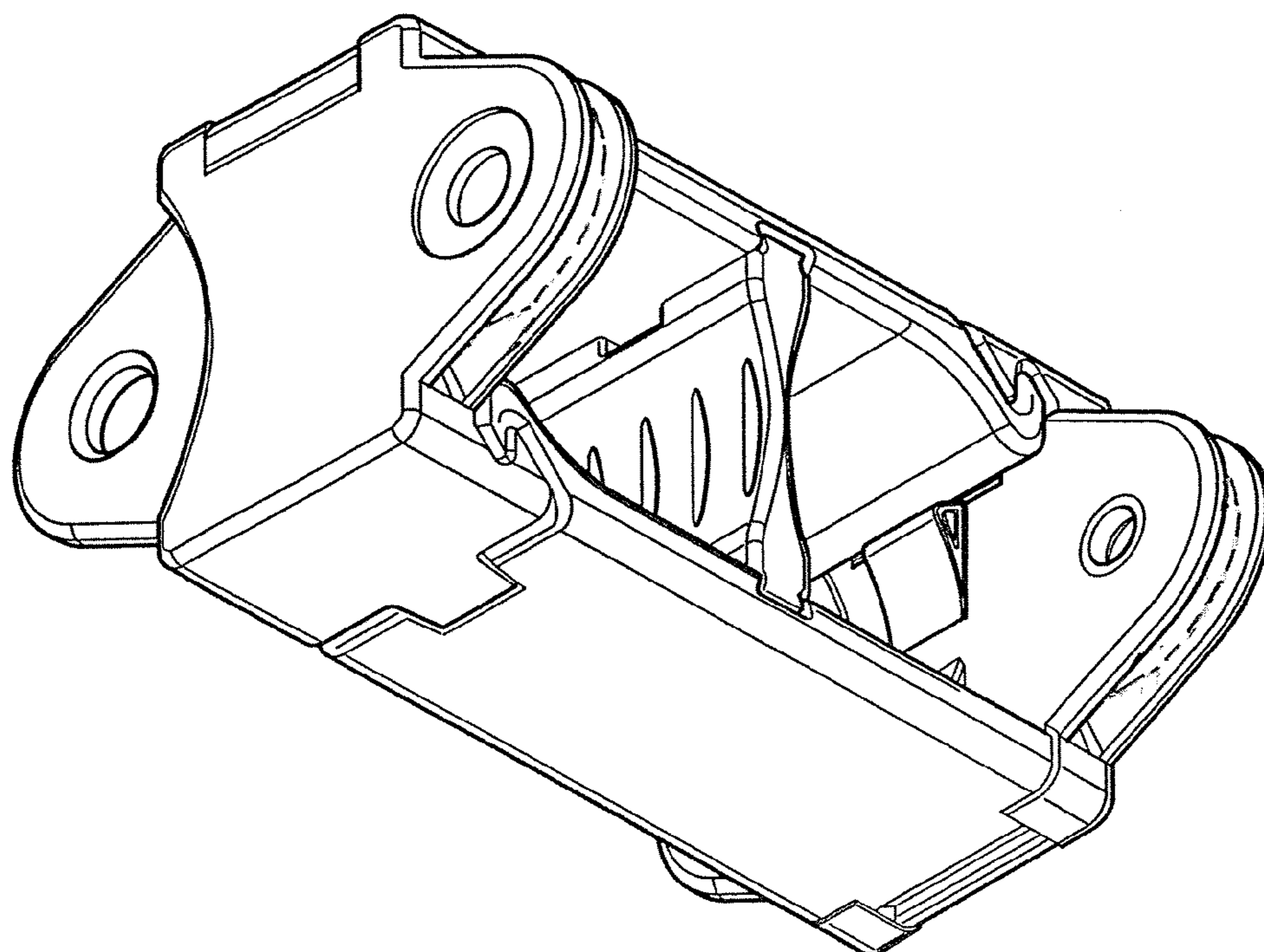


FIG. 4

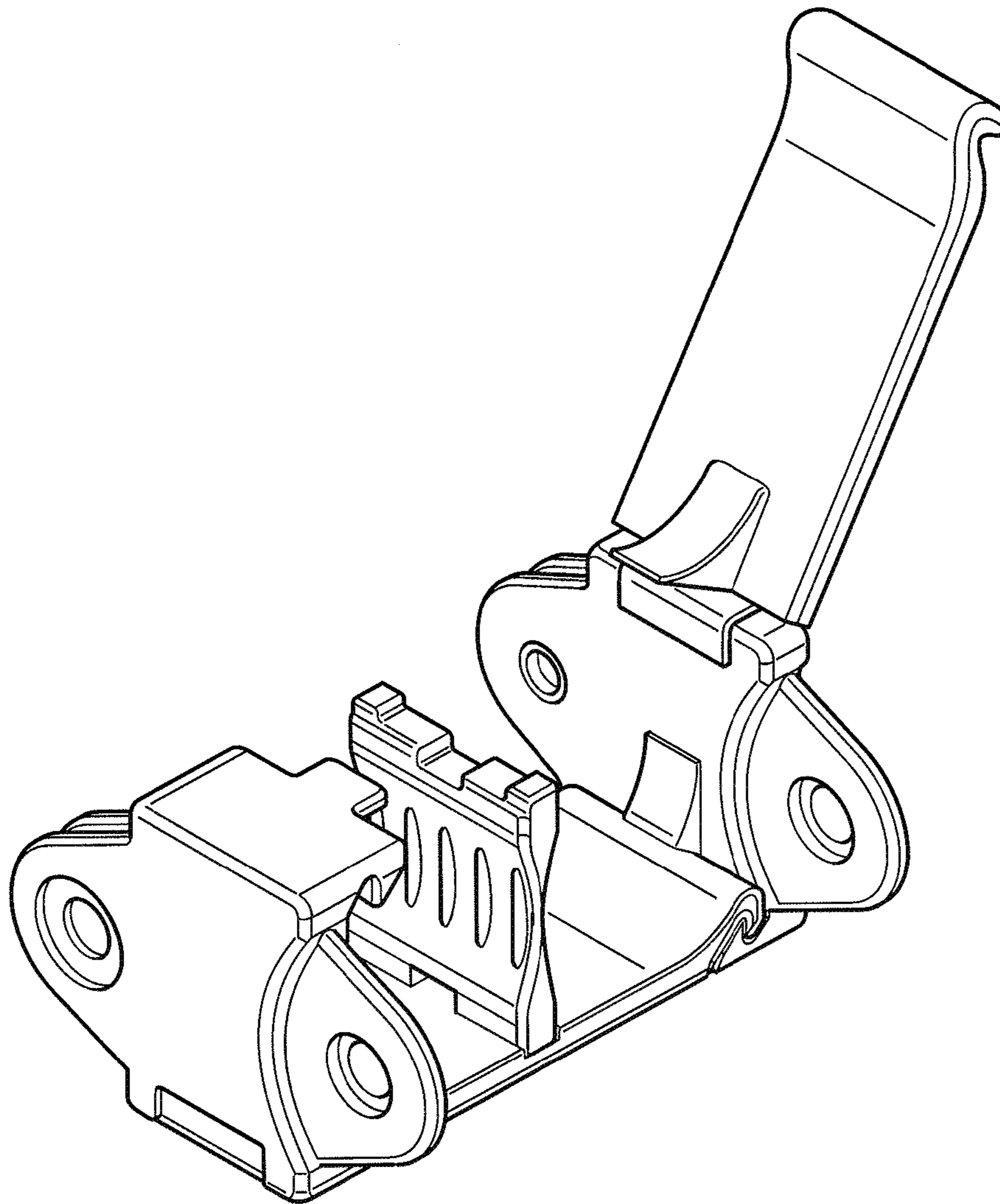


FIG. 5