

US00D760167S

(12) **United States Design Patent**
Kusano et al.

(10) **Patent No.:** **US D760,167 S**
(45) **Date of Patent:** **** Jun. 28, 2016**

(54) **ELECTRICAL PLUG-IN CONNECTOR**
(71) Applicant: **Sonos, Inc.**, Santa Barbara, CA (US)
(72) Inventors: **Mieko Kusano**, Santa Barbara, CA (US); **Roland Bird**, Eindhoven (NL); **Niels van Hoof**, Eindhoven (NL); **Lukasz Natkaniec**, Eindhoven (NL); **Wilfred Wei**, Shanghai (CN)

D339,566 S * 9/1993 Okamoto D13/138.2
D339,567 S * 9/1993 Okamoto D13/138.2
D347,621 S * 6/1994 Rinker D13/138.2
D353,362 S * 12/1994 Dolson D13/138.2
5,622,509 A * 4/1997 Smythe H01R 13/652
439/103
D484,460 S * 12/2003 Cheng D13/137.4

(Continued)

(73) Assignee: **Sonos, Inc.**, Santa Barbara, CA (US)

(**) Term: **14 Years**

(21) Appl. No.: **29/489,649**

(22) Filed: **May 1, 2014**

(51) **LOC (10) Cl.** **13-03**

(52) **U.S. Cl.**
USPC **D13/138.1**

(58) **Field of Classification Search**
USPC D13/137.1-137.4, 138.1-138.2,
D13/139.1-139.8, 110, 152, 108; 439/103,
439/644; 362/641
CPC H01R 13/20; H01R 13/717; H01R 13/652;
H01R 27/00
See application file for complete search history.

(56) **References Cited**

U.S. PATENT DOCUMENTS

D150,410 S 8/1948 Giammatteo
2,771,590 A * 11/1956 Nauslar H01R 13/20
439/644
3,382,355 A * 5/1968 Prifogle H01R 13/717
362/641
3,495,205 A * 2/1970 Ricci H01R 27/00
439/103
D243,090 S * 1/1977 Lawrence D13/139.7
D243,244 S 2/1977 Creamer
D257,035 S 9/1980 Ostrellich et al.
4,954,091 A * 9/1990 Marble H01R 13/652
439/103

FOREIGN PATENT DOCUMENTS

EM 002150193-0001 12/2012
EM 002184184-002 2/2013

OTHER PUBLICATIONS

Notification of Grant of Patent Rights for a Design Patent, issued by the State Intellectual Property Office of the P.R. China, in connection with Chinese Patent Application No. 201430416108.X, on Apr. 20, 2015, 4 pages.

Primary Examiner — Holly Baynham

Assistant Examiner — Rhea Shields

(74) *Attorney, Agent, or Firm* — KPPB LLP

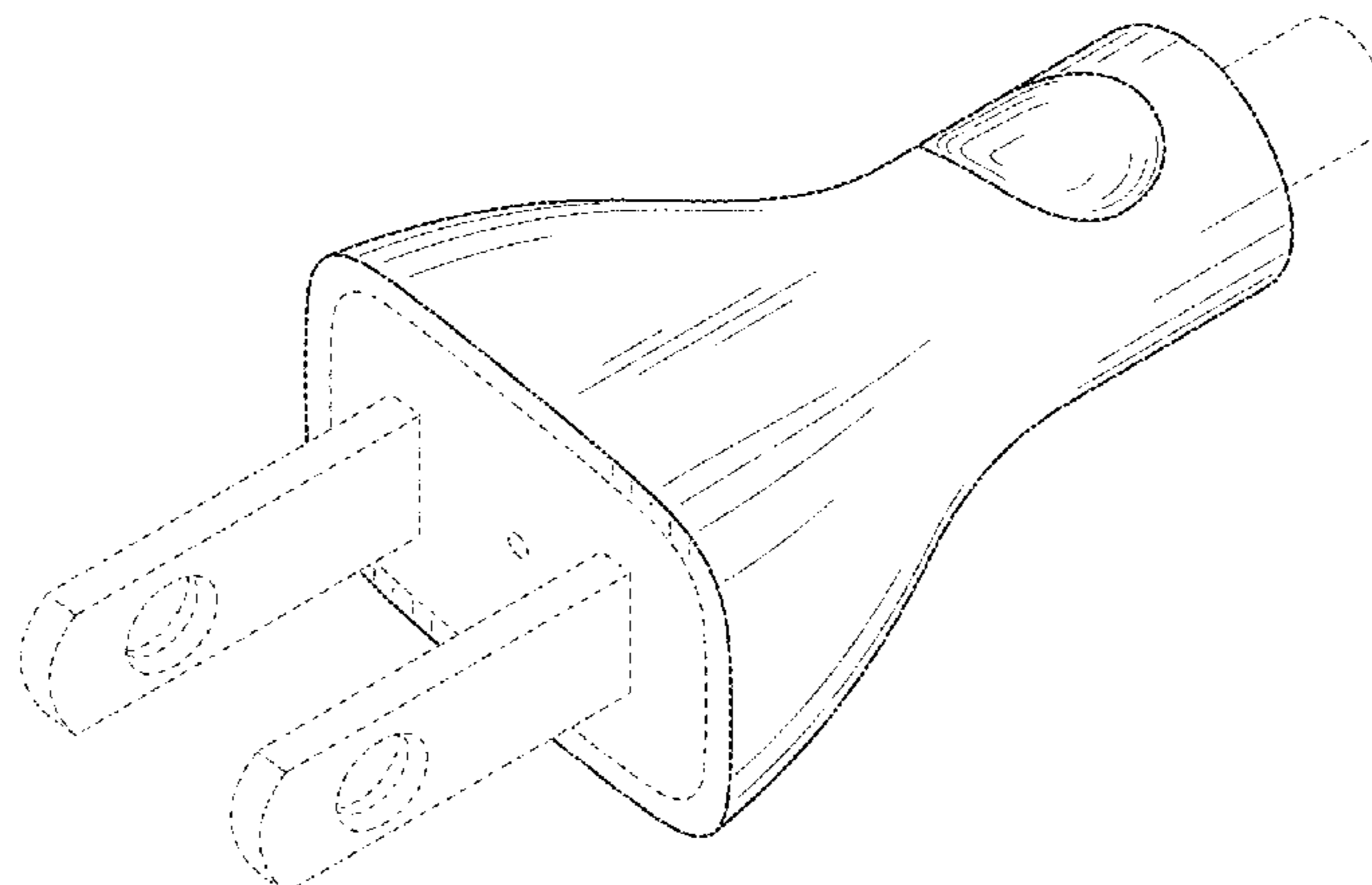
(57) **CLAIM**

The ornamental design for an electrical plug-in connector, as shown and described.

DESCRIPTION

FIG. 1 is a front perspective view of a power plug.
FIG. 2 is a front side view of the device of FIG. 1.
FIG. 3 is a rear side view of the device of FIG. 1.
FIG. 4 is a left side view of the device of FIG. 1.
FIG. 5 is a right side view of the device of FIG. 1.
FIG. 6 is a top side view of the device of FIG. 1; and,
FIG. 7 is a bottom side view of the device of FIG. 1.
In the drawings, the broken lines are for the purpose of illustrating environment only and form no part of the claimed design.

1 Claim, 3 Drawing Sheets



(56)

References Cited

U.S. PATENT DOCUMENTS

D493,142 S	7/2004	Siu	8,021,183 B2	9/2011	Early et al.	
D495,996 S	9/2004	Parel et al.	8,215,009 B2	7/2012	Early et al.	
D498,462 S	11/2004	Andre et al.	8,517,766 B2	8/2013	Golko et al.	
D509,187 S *	9/2005	Levine D13/110	D697,481 S	1/2014	Akana et al.	
D585,378 S *	1/2009	Haber D13/138.2	8,647,156 B2	2/2014	Golko et al.	
D611,409 S	3/2010	Green et al.	8,753,132 B2	6/2014	Scritzky et al.	
D623,594 S	9/2010	Akana et al.	D712,829 S *	9/2014	Huang D13/110	
D635,919 S	4/2011	Ahola et al.	D721,037 S *	1/2015	Kelly D13/137.1	
			D731,970 S *	6/2015	Kamath D13/110	
			D742,315 S *	11/2015	Dang D13/110	

* cited by examiner

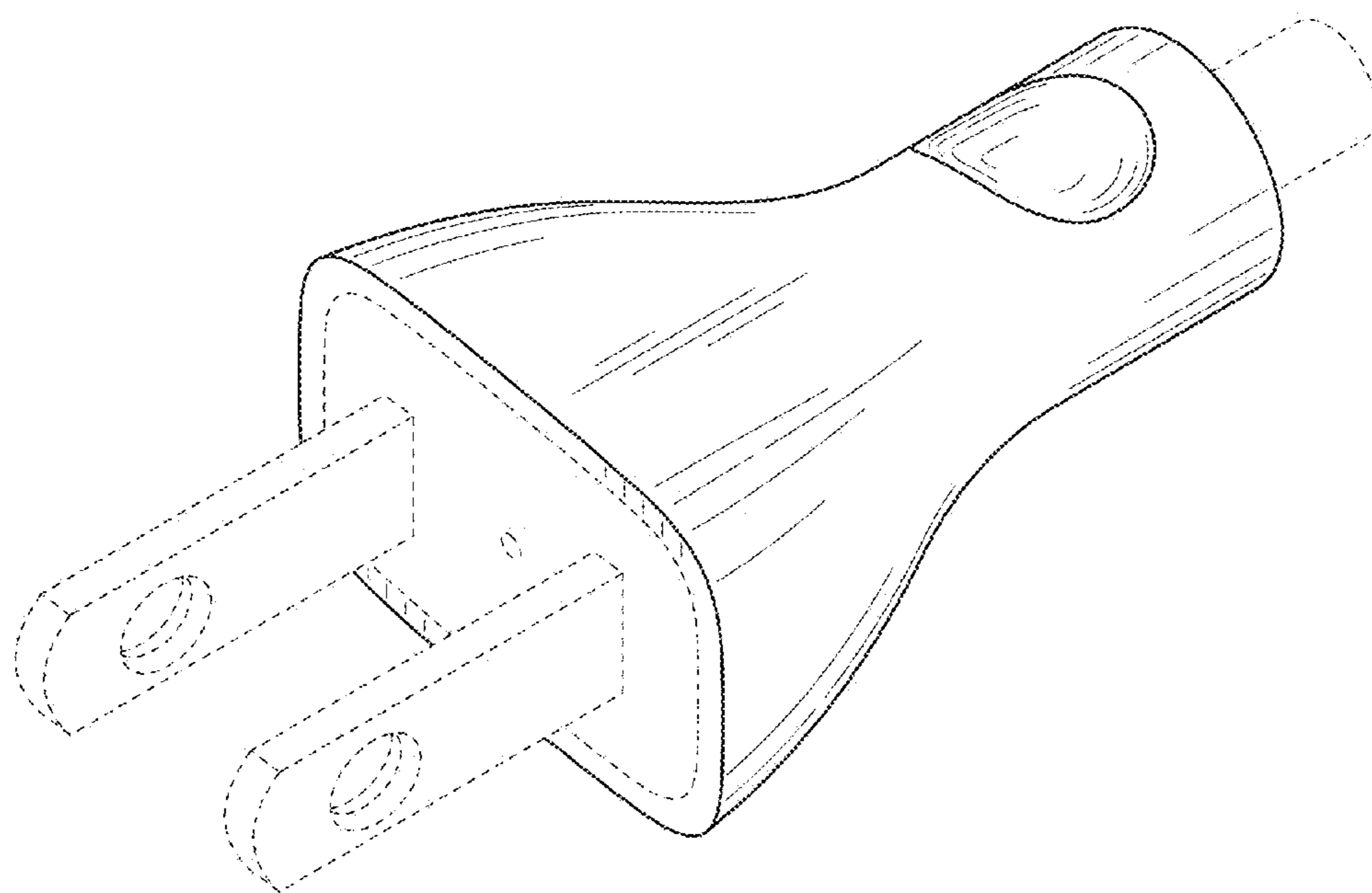


FIG. 1

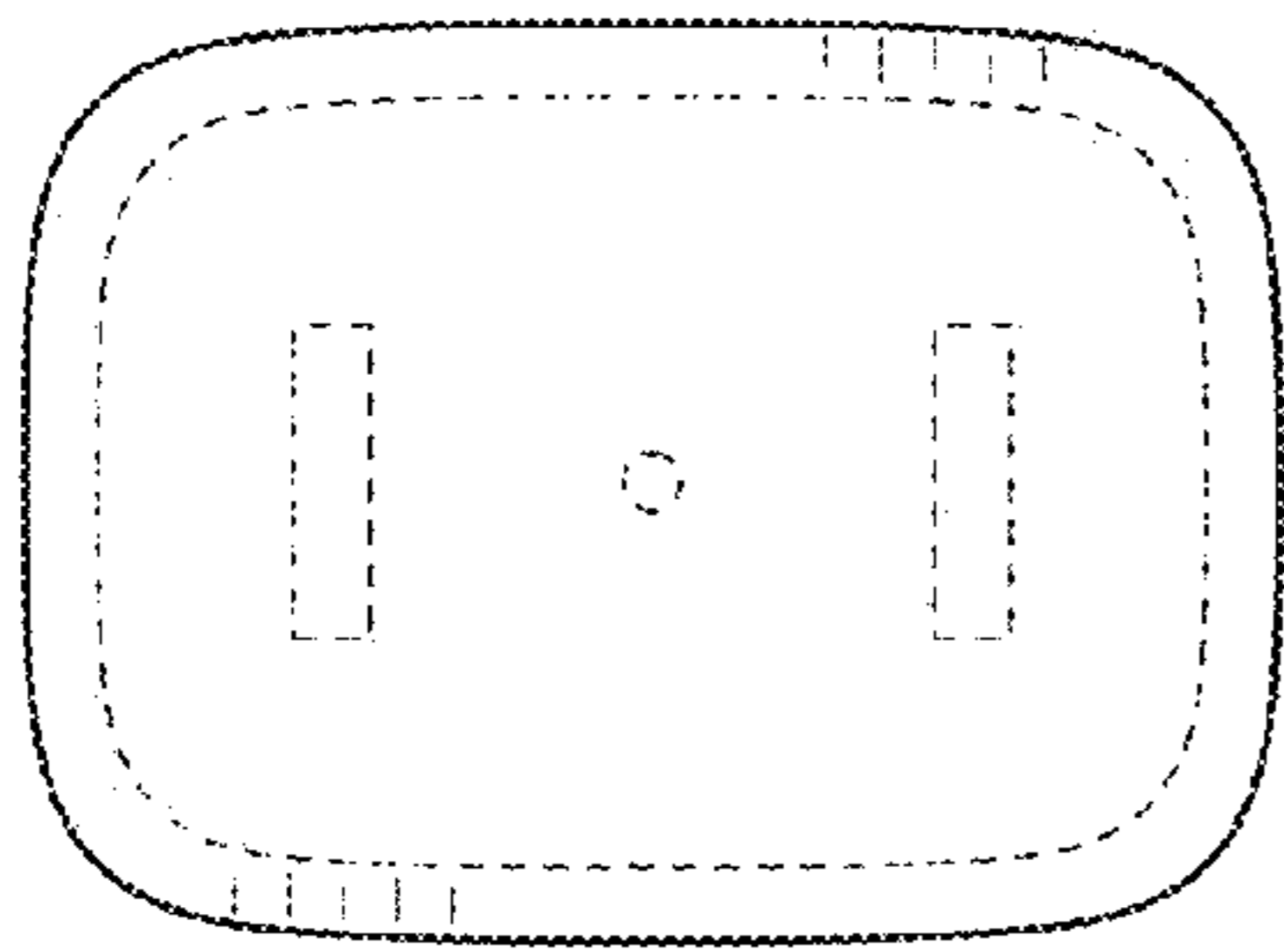


FIG. 2

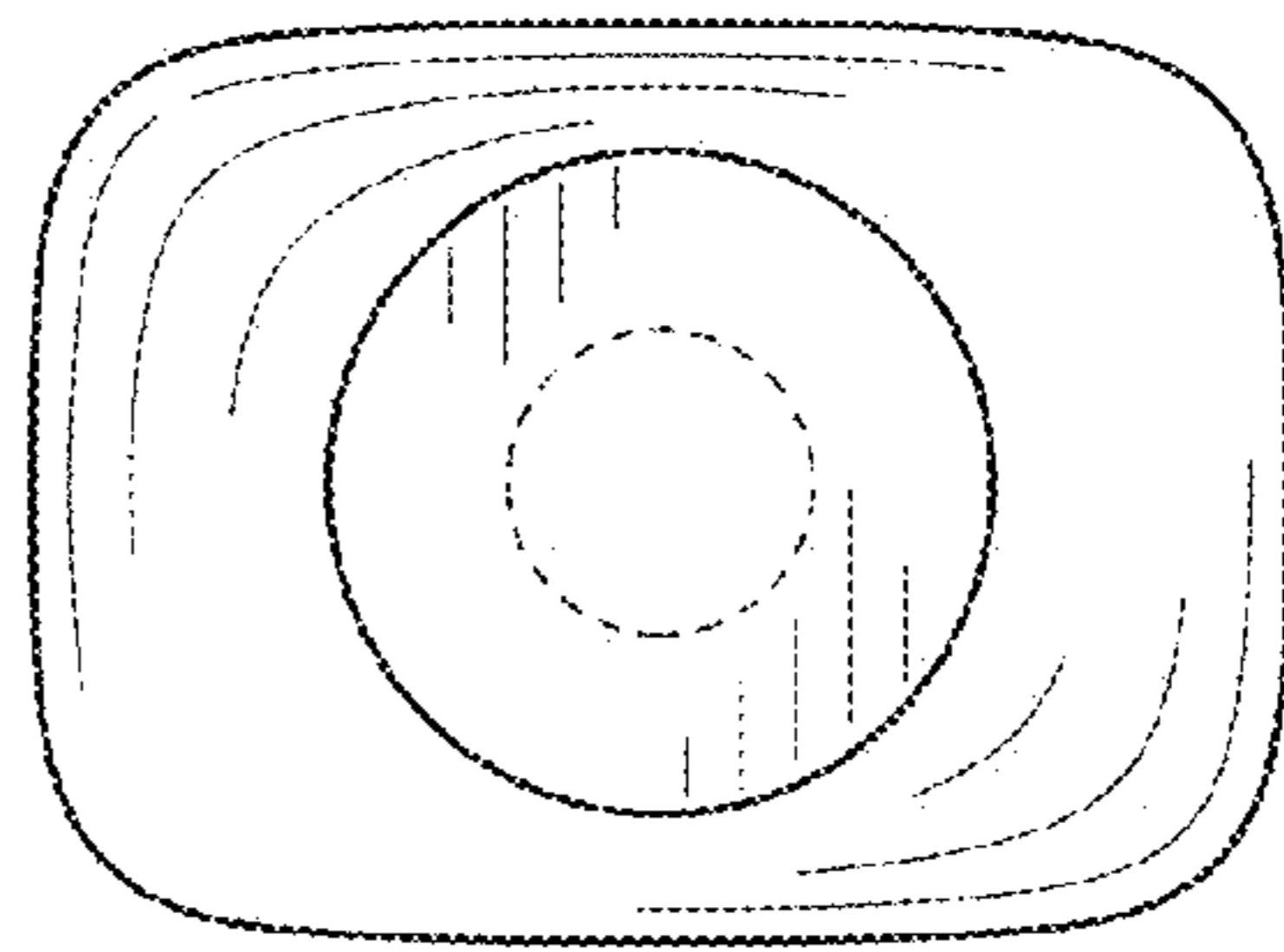


FIG. 3

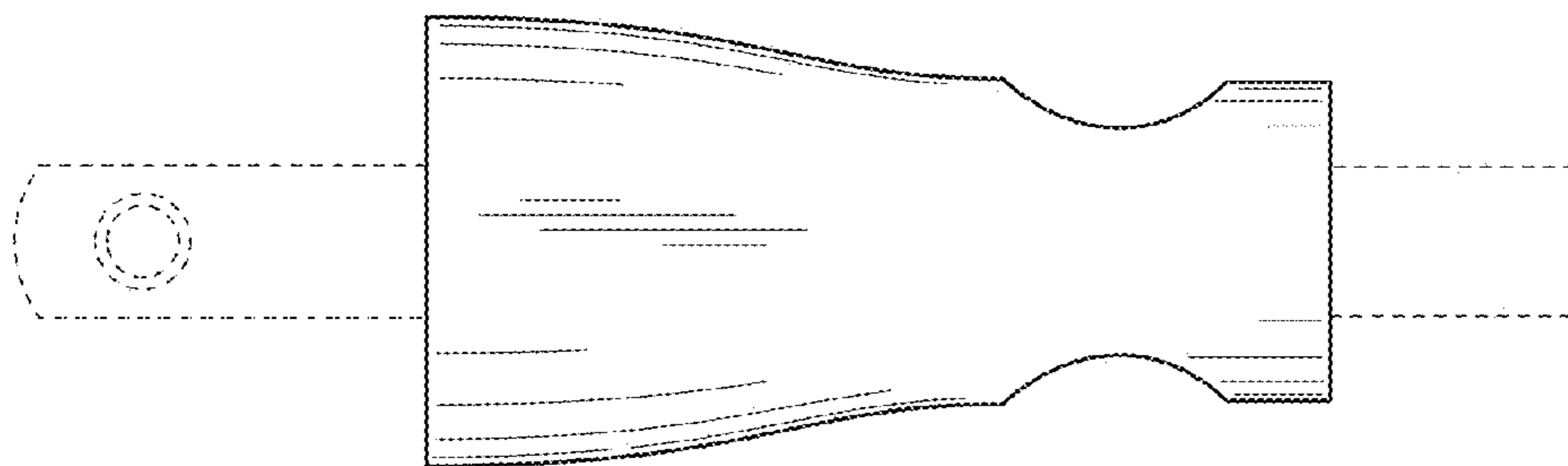


FIG. 4

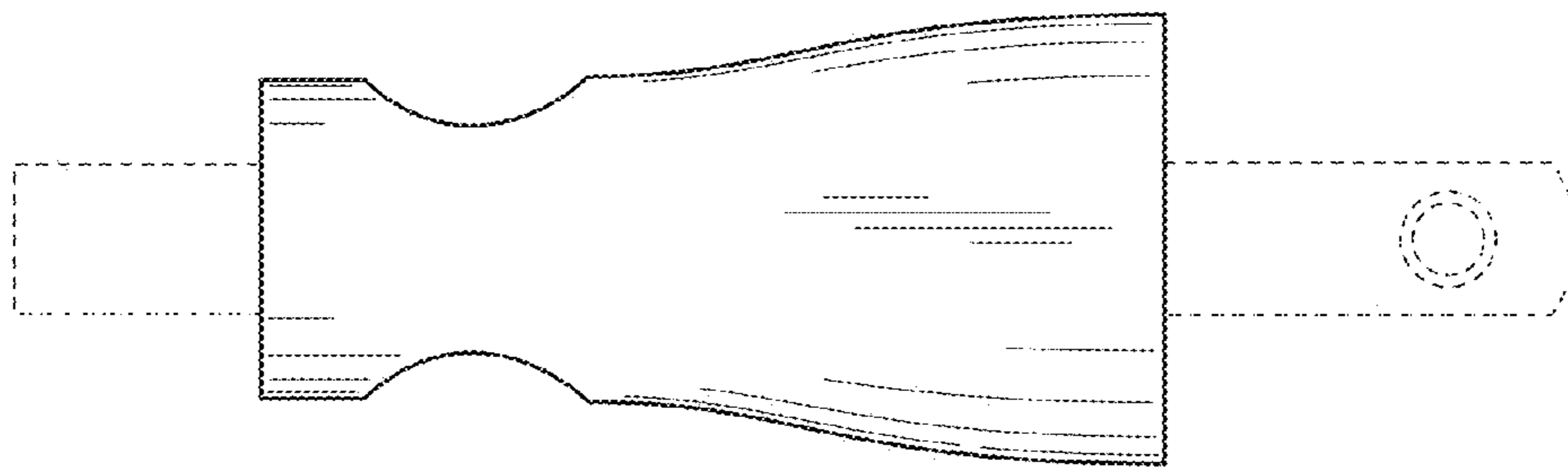


FIG. 5

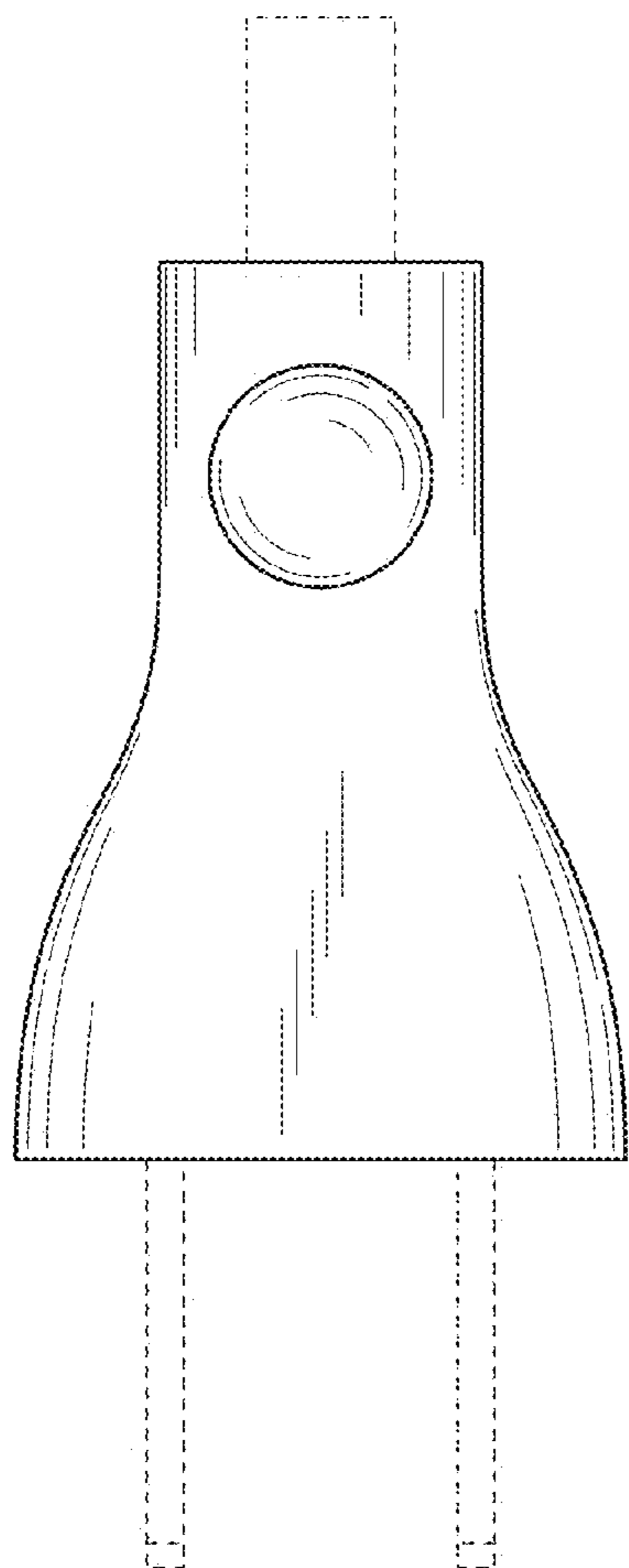


FIG. 6

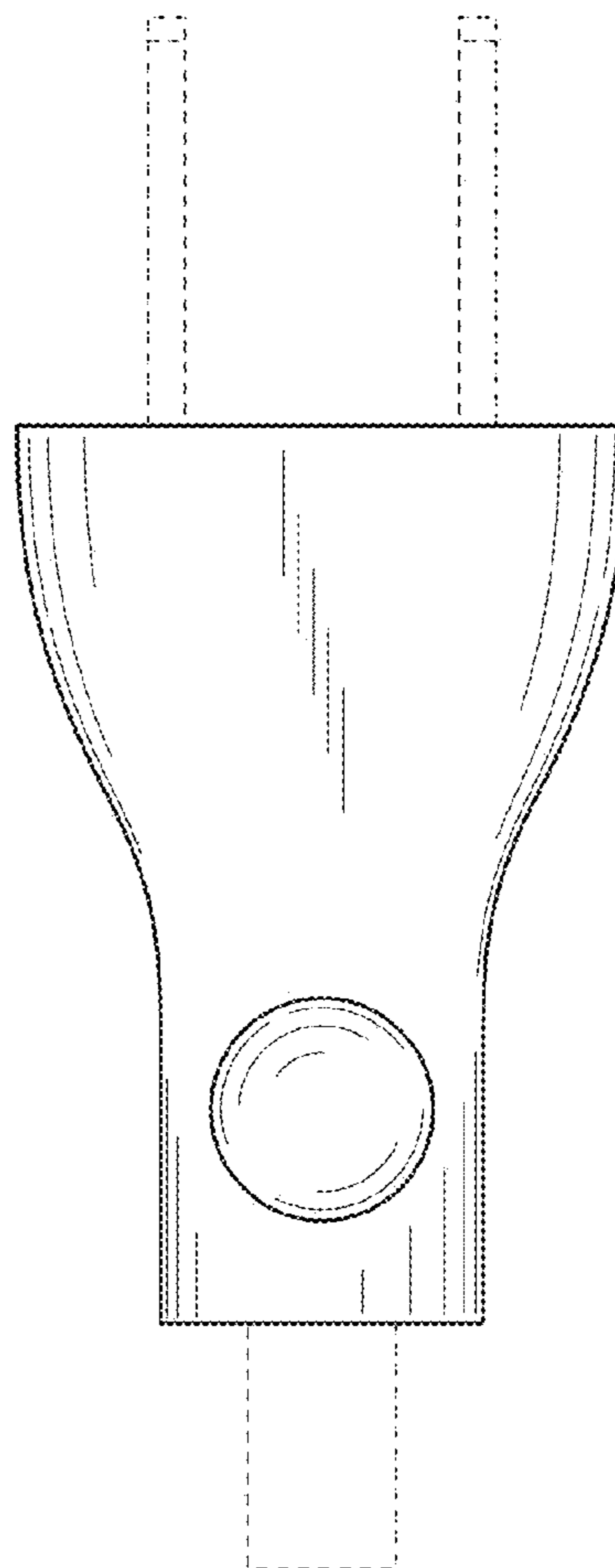


FIG. 7