



US00D760162S

(12) **United States Design Patent**  
**Park et al.**

(10) **Patent No.:** **US D760,162 S**  
(45) **Date of Patent:** **\*\* Jun. 28, 2016**

(54) **PORTABLE SUPPLEMENTARY BATTERY**  
(71) Applicant: **LG ELECTRONICS INC.**, Seoul (KR)  
(72) Inventors: **Soonhyun Park**, Seoul (KR);  
**Cheolwoong Shin**, Seoul (KR); **Hongsik Kim**, Seoul (KR); **Jinki Min**, Seoul (KR); **Seunghwan Song**, Seoul (KR); **Byunghyun Yi**, Seoul (KR); **Jiyoun Cha**, Seoul (KR)  
(73) Assignee: **LG ELECTRONICS INC.**, Seoul (KR)  
(\*\*) Term: **15 Years**  
(21) Appl. No.: **29/531,706**  
(22) Filed: **Jun. 29, 2015**

(30) **Foreign Application Priority Data**  
Dec. 31, 2014 (KR) ..... 30-2014-0064525  
(51) **LOC (10) Cl.** ..... **13-02**  
(52) **U.S. Cl.**  
USPC ..... **D13/103**  
(58) **Field of Classification Search**  
USPC ..... D13/102–110, 118, 199, 184;  
429/96–100, 149, 159, 163, 176, 177,  
429/186; 206/703–705, 461–463, 471, 485,  
206/485.1, 493; D14/203.3–203.8, 217,  
D14/240, 248, 250–253, 432, 434, 440, 450,  
D14/496; 320/101, 102, 107–115, 120;  
D3/201, 207–209, 218, 269, 212, 301,  
D3/273, 303; 361/679, 56; 379/426,  
379/433.11–433.13, 455; 455/575.1, 575.8  
CPC ..... Y02E 60/12; Y02E 60/122; Y02E 60/124;  
Y02E 60/50; H01M 2/02; H01M 2/022;  
H01M 2/0202; H01M 2/0207; H01M 2/0212;  
H01M 2/1061; H01M 2/1022; H01M 2/1055;  
H01M 2/1066; H01M 2/105; H01M 2/204;  
H01M 10/4257; H01M 10/0436; H01M 10/48  
See application file for complete search history.

(56) **References Cited**  
U.S. PATENT DOCUMENTS  
6,428,923 B1 \* 8/2002 Eichholz ..... H01M 2/105  
429/151  
8,564,243 B2 \* 10/2013 Chen ..... H02J 7/0042  
320/108  
D700,137 S \* 2/2014 Ashida ..... D13/103  
8,691,421 B2 \* 4/2014 Lee ..... H01M 2/1077  
429/120  
8,704,673 B2 \* 4/2014 Chang ..... H01R 13/6691  
320/114  
D706,752 S \* 6/2014 Myung ..... D14/240  
D738,301 S \* 9/2015 Symons ..... D13/107  
2013/0083453 A1 \* 4/2013 Kobayashi ..... H01G 2/04  
361/502  
2015/0171431 A1 \* 6/2015 Yamada ..... H01M 4/70  
429/163  
2015/0365121 A1 \* 12/2015 Smith ..... H04B 1/3888  
\* cited by examiner 455/575.8  
*Primary Examiner* — Rosemary K Tarcza  
*Assistant Examiner* — Christy Nemeth  
(74) *Attorney, Agent, or Firm* — Birch, Stewart, Kolasch & Birch, LLP  
(57) **CLAIM**

The ornamental design for a portable supplementary battery, as shown and described.

**DESCRIPTION**

FIG. 1 is a perspective view of a portable supplementary battery showing our new design;  
FIG. 2 is a front view thereof;  
FIG. 3 is a rear view thereof;  
FIG. 4 is a left side view thereof where the right side view is a mirror image;  
FIG. 5 is a top plan view thereof;  
FIG. 6 is a bottom plan view thereof;  
FIG. 7 is a front view shown in a state of use where the portable supplementary battery is connected to a mobile phone shown in broken lines; and,  
FIG. 8 is a front view shown in a state of use where the portable supplementary battery is connected to a mobile phone shown in broken lines.  
The broken lines depict portions of the portable supplementary battery that form no part of the claimed design.

**1 Claim, 7 Drawing Sheets**

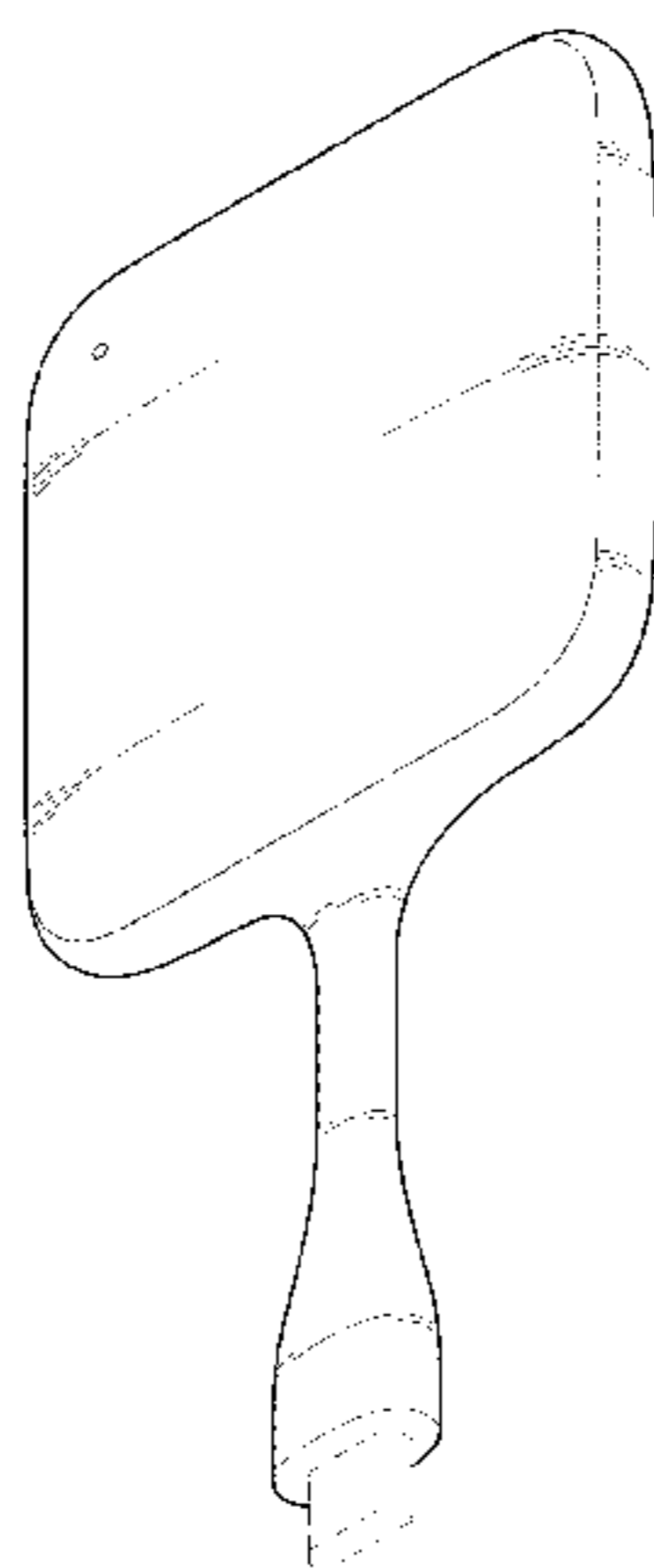


FIG. 1

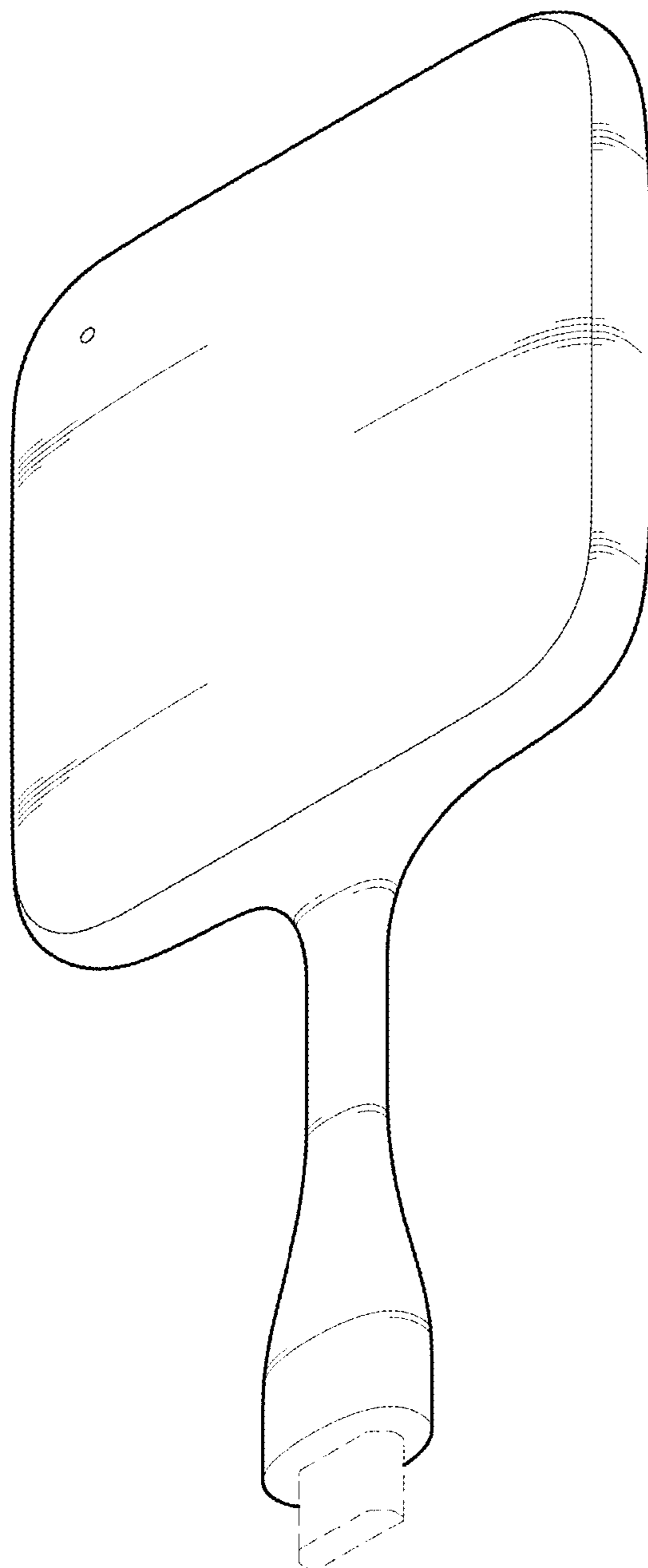


FIG. 2

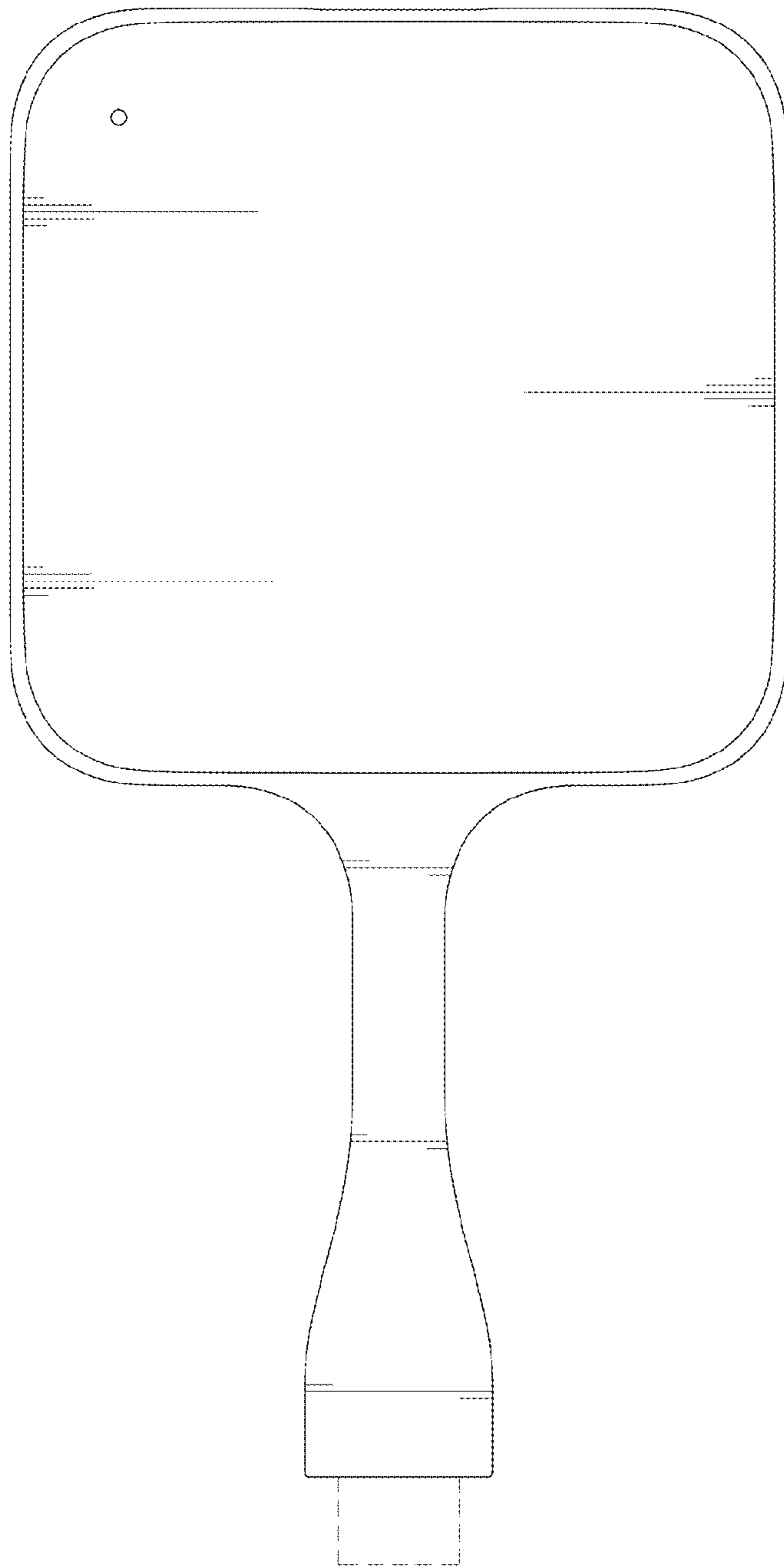


FIG. 3

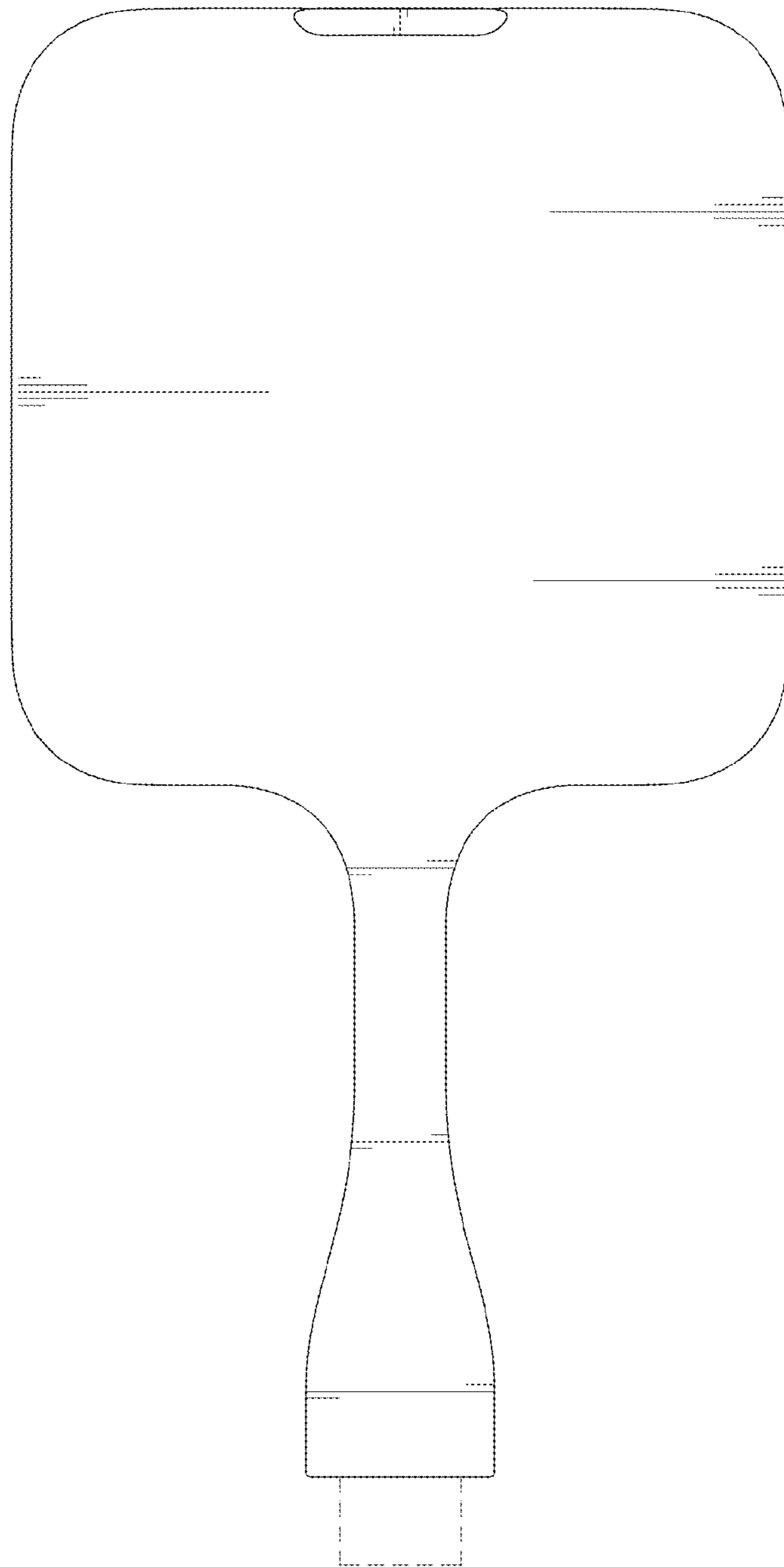


FIG. 4

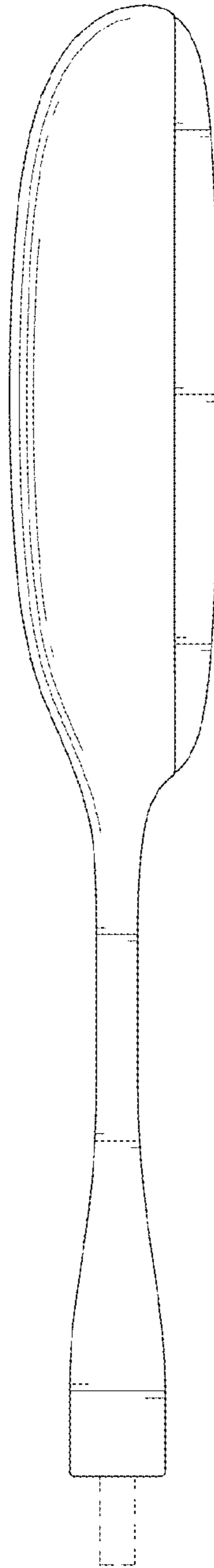


FIG. 5

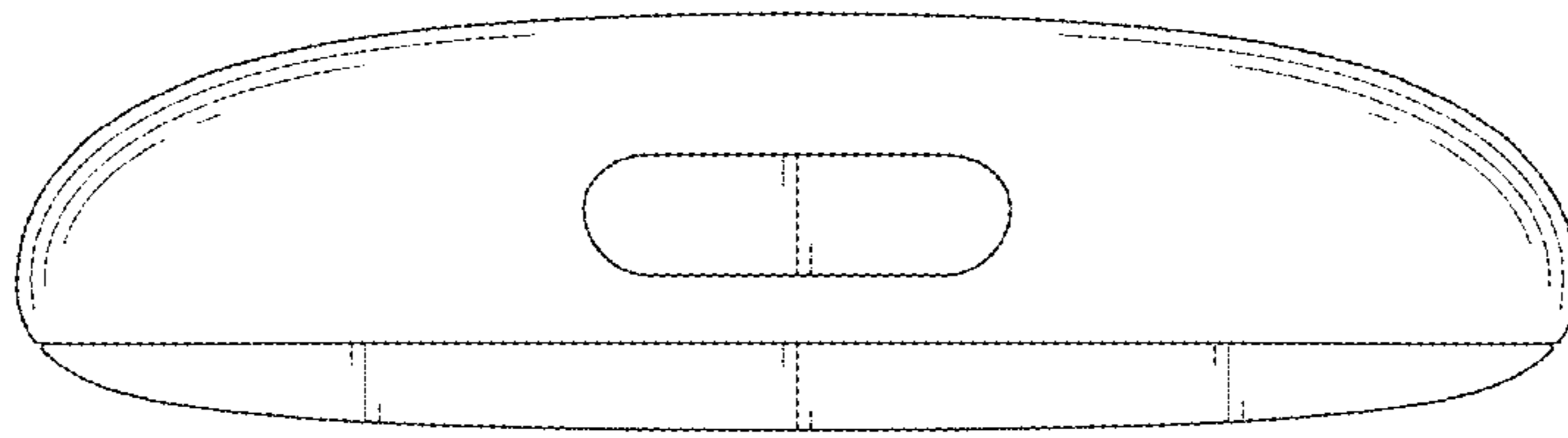


FIG. 6

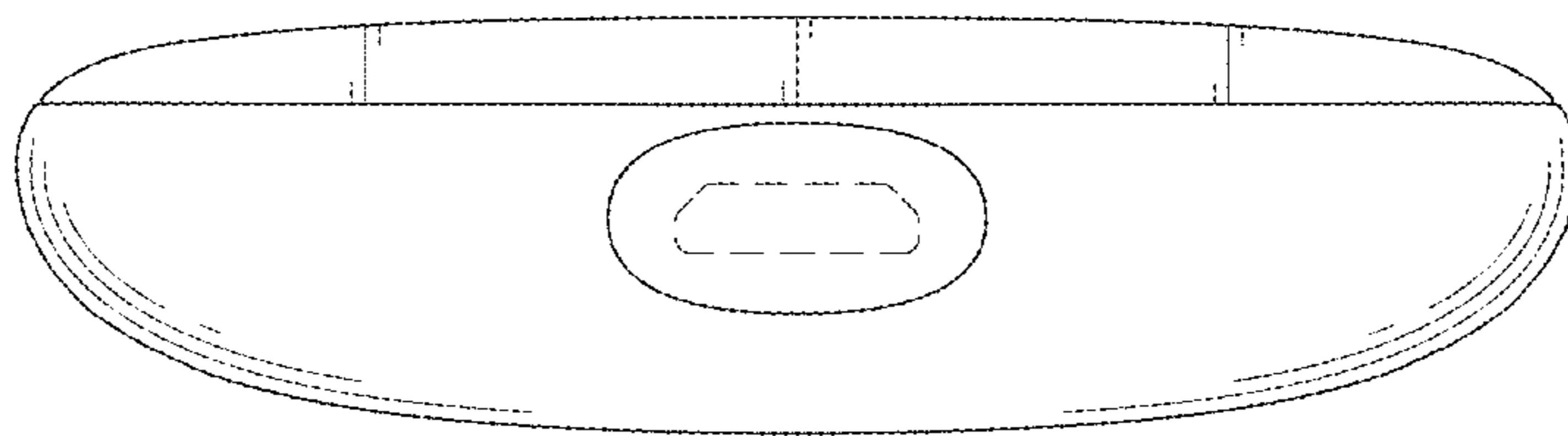


FIG. 7

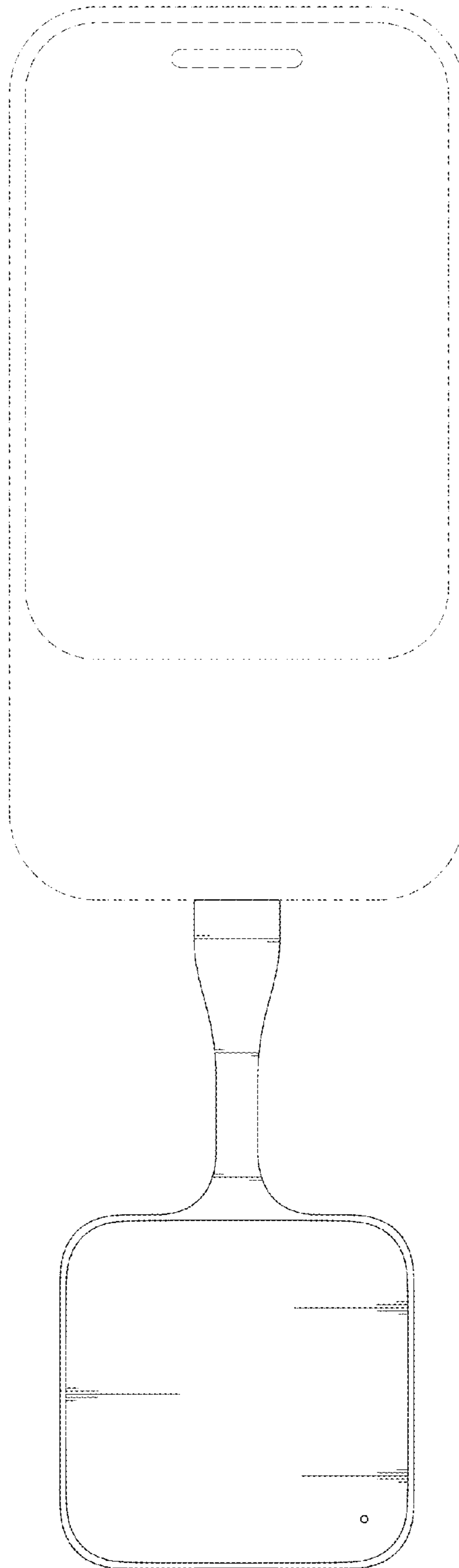


FIG. 8

