

US00D760161S

(12) **United States Design Patent**  
**DeKeuster et al.**

(10) **Patent No.:** **US D760,161 S**  
(45) **Date of Patent:** **\*\* Jun. 28, 2016**

(54) **LITHIUM ION BATTERY MODULE**

(71) Applicant: **Johnson Controls Technology Company**, Holland, MI (US)

(72) Inventors: **Richard M. DeKeuster**, Racine, WI (US); **Stephen D. Cash**, Cary, IL (US); **Robert J. Mack**, Milwaukee, WI (US)

(73) Assignee: **Johnson Controls Technology Company**, Holland, MI (US)

(\*\*) Term: **14 Years**

(21) Appl. No.: **29/503,943**

(22) Filed: **Sep. 30, 2014**

(51) **LOC (10) Cl.** ..... **13-02**

(52) **U.S. Cl.**  
USPC ..... **D13/103**

(58) **Field of Classification Search**  
USPC ..... D13/103, 102, 104, 110, 118, 119, 184, D13/105, 106, 108; 429/96, 97, 98, 99, 100, 429/176, 163  
CPC ..... Y02E 60/12; Y02E 60/122; Y02E 60/124; Y02E 60/50; H01M 2/02; H01M 2/022; H01M 2/0202; H01M 2/0207; H01M 2/0212; H01M 2/1061; H01M 2/1022; H01M 2/1055; H01M 2/1066; H01M 2/105; H01M 2/204; H01M 10/4257; H01M 10/0436; H01M 10/48  
See application file for complete search history.

(56) **References Cited**

**U.S. PATENT DOCUMENTS**

D383,434 S *	9/1997	Hooke et al.	.....	D13/103
6,572,999 B1 *	6/2003	Stocchiero	.....	429/176
D491,138 S *	6/2004	Minato	.....	D13/104
D559,777 S *	1/2008	Hu et al.	.....	D13/110
D602,428 S *	10/2009	Masuda et al.	.....	D13/103
D608,730 S *	1/2010	Gamboa et al.	.....	D13/103
D615,489 S *	5/2010	Masuda et al.	.....	D13/103
D623,127 S *	9/2010	Seyama et al.	.....	D13/104

D635,508 S *	4/2011	Seyama et al.	.....	D13/104
D657,309 S *	4/2012	Robinson et al.	.....	D13/107
D682,204 S *	5/2013	Hetzroni	.....	D13/110
D695,682 S *	12/2013	Nam et al.	.....	D13/104
D699,669 S *	2/2014	Kasaba et al.	.....	D13/103

**OTHER PUBLICATIONS**

Lithium-Ion Battery Systems posted at JohnsonControls.com, posting date not given, © 2015 JohnsonControls, [online], [site visited Oct. 15, 2015]. Available from Internet, <URL: <http://www.johnsoncontrols.com/content/us/en/products/power-solutions/products/lithium-ion.html>>.\*

\* cited by examiner

*Primary Examiner* — Karen S Acker

*Assistant Examiner* — Carmen Arellano-Lado

(74) *Attorney, Agent, or Firm* — Fletcher Yoder P.C.

(57) **CLAIM**

We claim the ornamental design for a lithium ion battery module, as shown and described.

**DESCRIPTION**

FIG. 1 is a front perspective view of an ornamental design for the lithium ion battery module;

FIG. 2 is a front view of the lithium ion battery module of FIG. 1;

FIG. 3 is a rear view of the lithium ion battery module of FIG. 1;

FIG. 4 is a right side view of the lithium ion battery module of FIG. 1;

FIG. 5 is a left side view of the lithium ion battery module of FIG. 1;

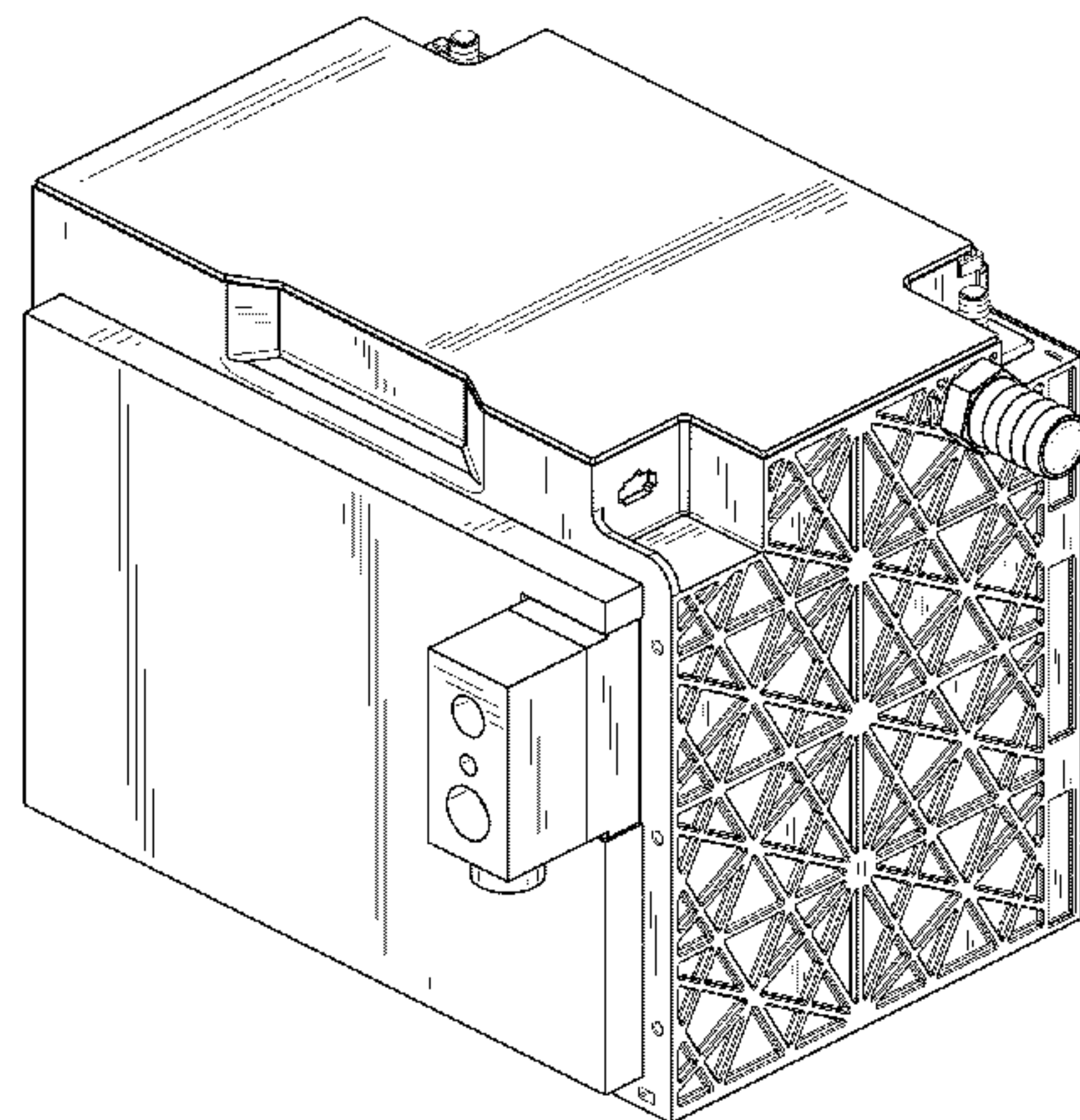
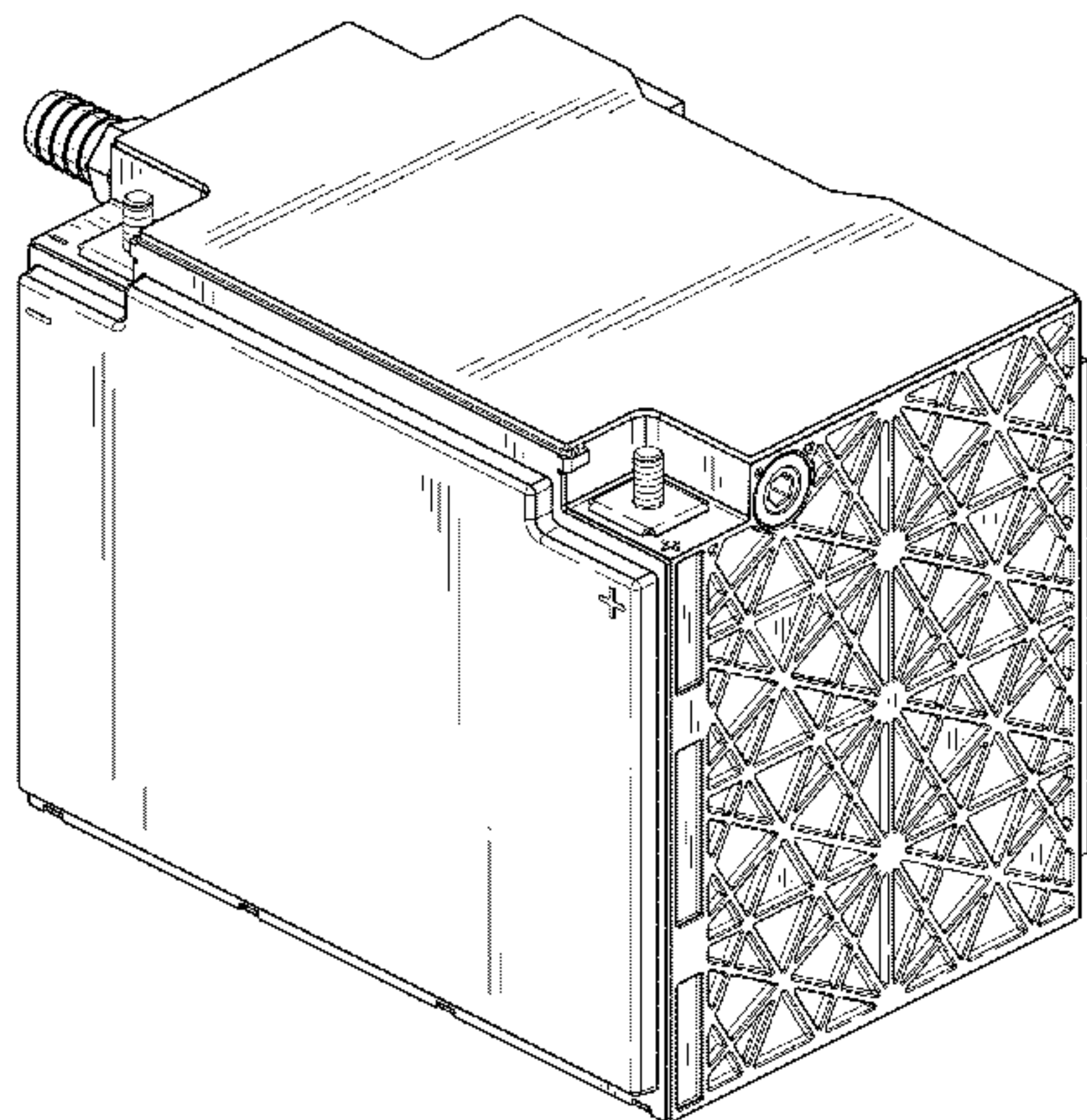
FIG. 6 is a top view of the lithium ion battery module of FIG. 1;

FIG. 7 is a bottom view of the lithium ion battery module of FIG. 1; and,

FIG. 8 is a rear perspective view of the lithium ion battery module of FIG. 1.

The broken lines in the FIG. 5 view, the FIG. 7 view, and the FIG. 8 view depict environmental subject matter that forms no part of the claimed design.

**1 Claim, 6 Drawing Sheets**



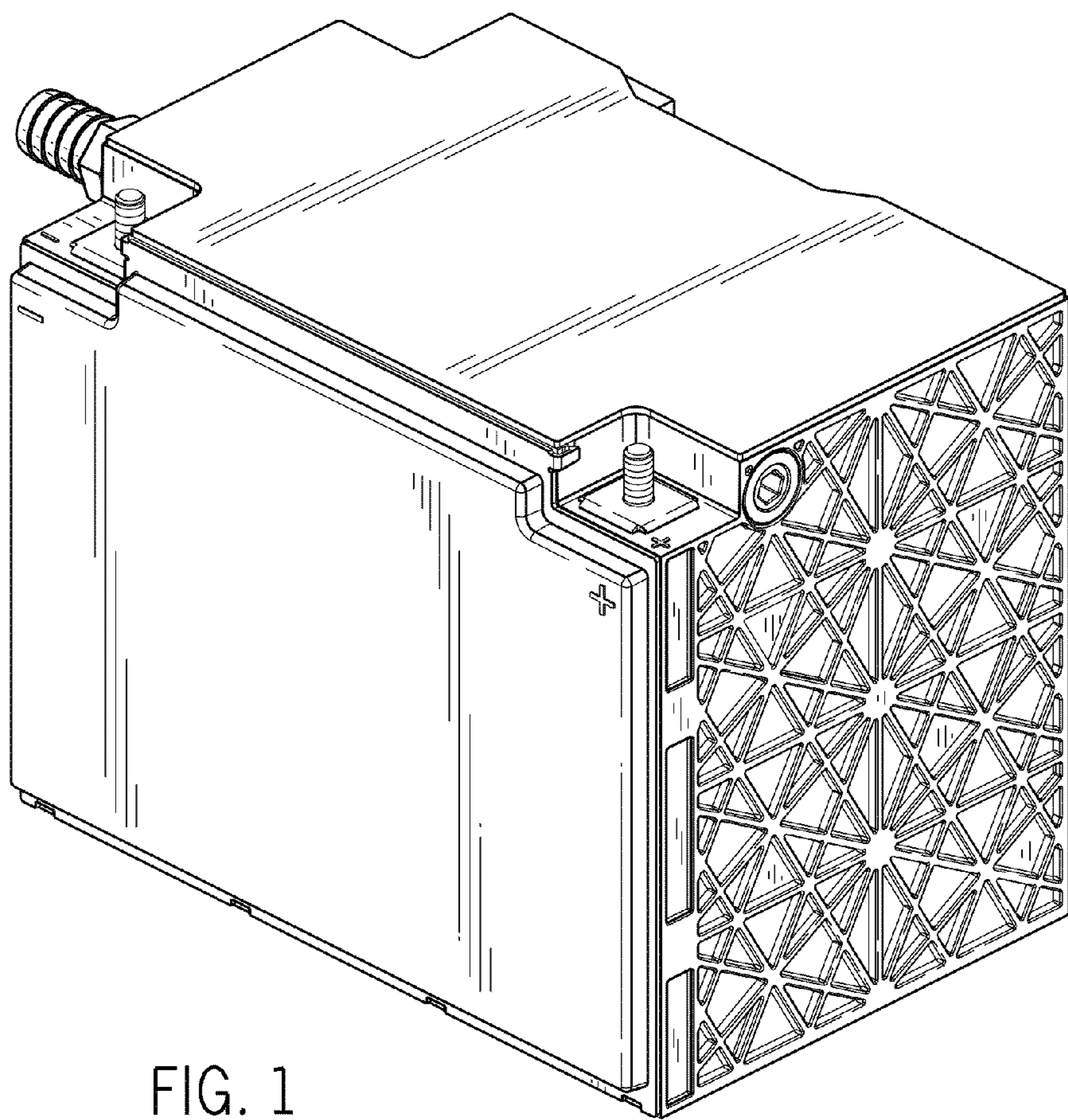


FIG. 1



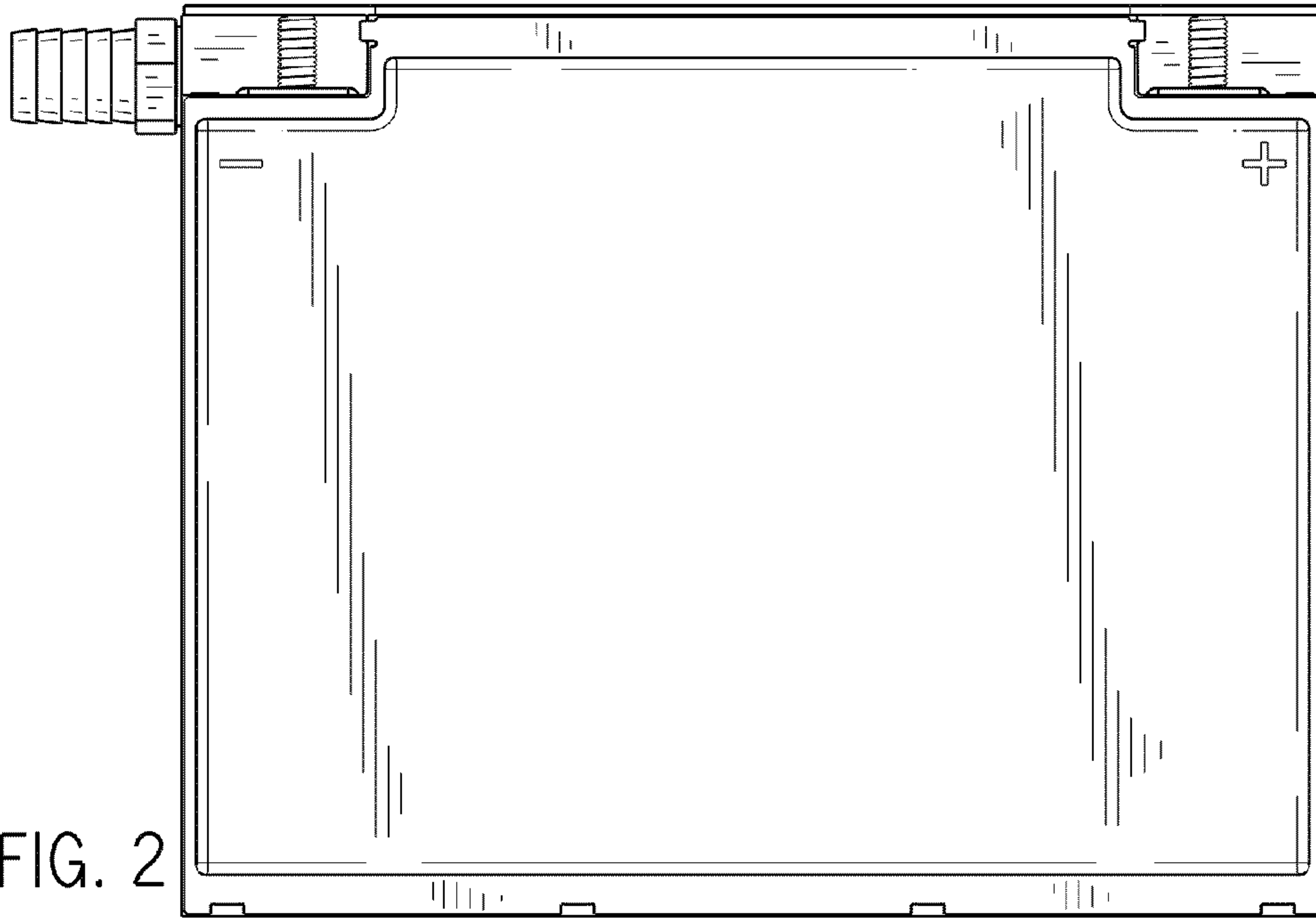


FIG. 2

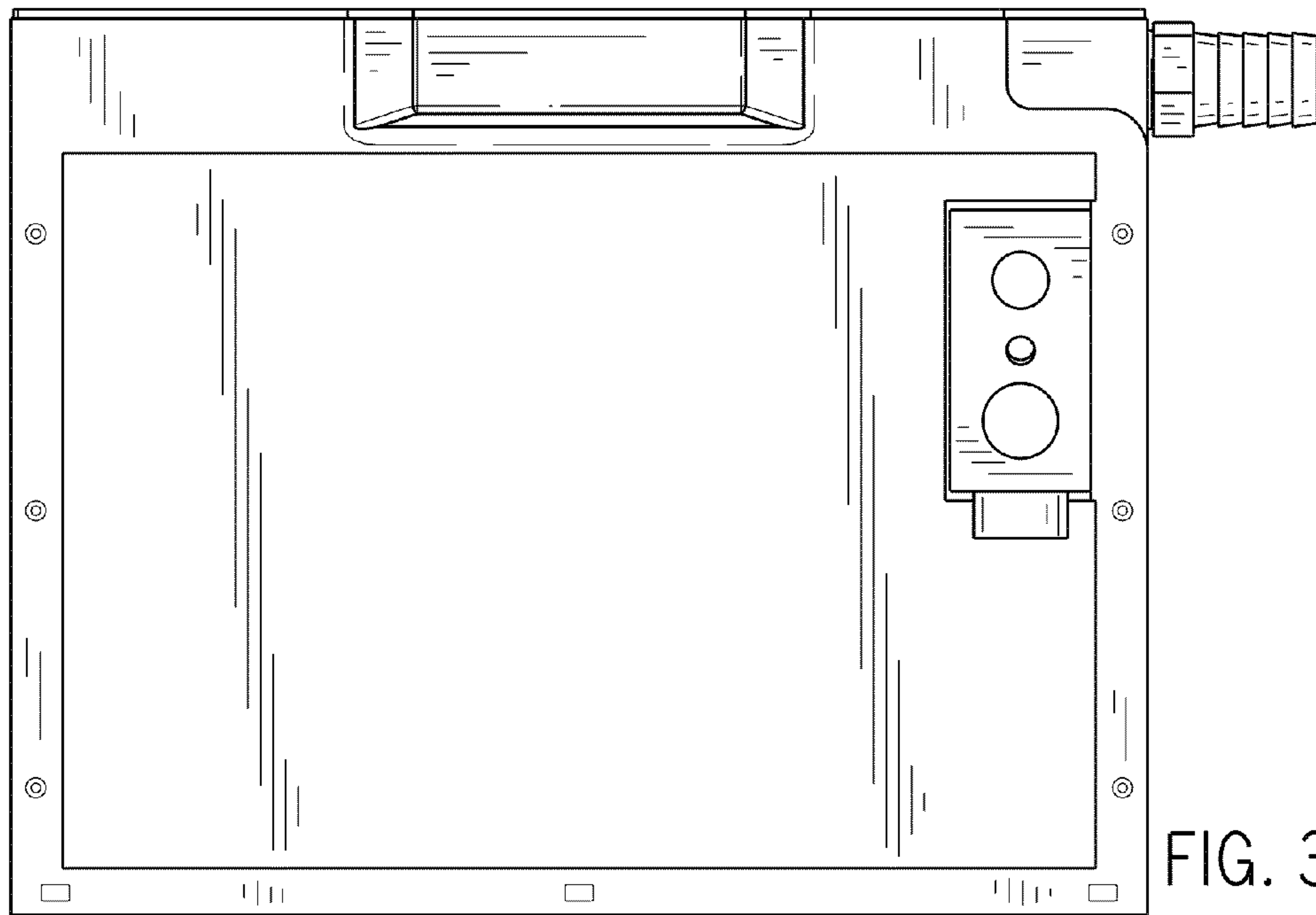
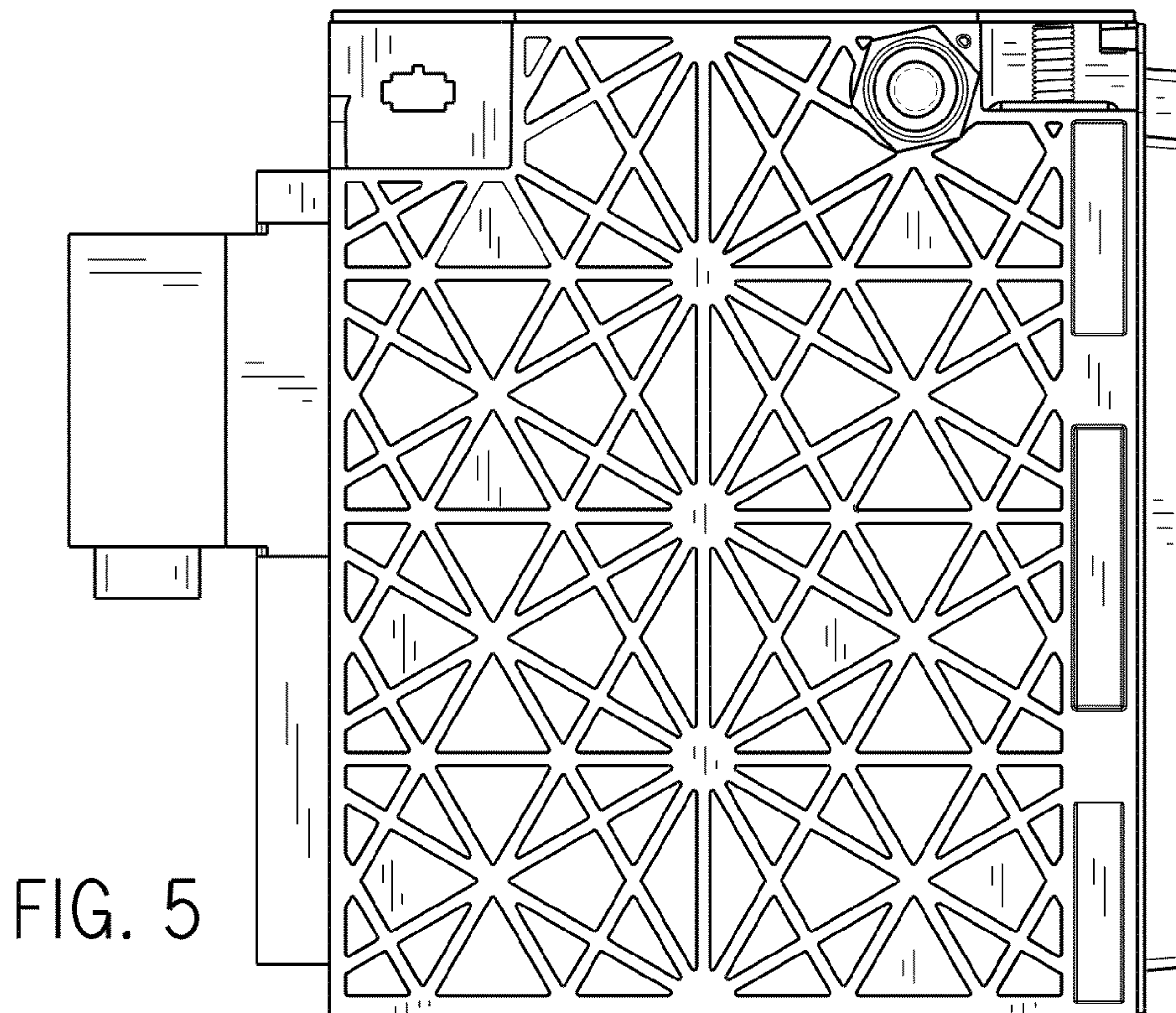
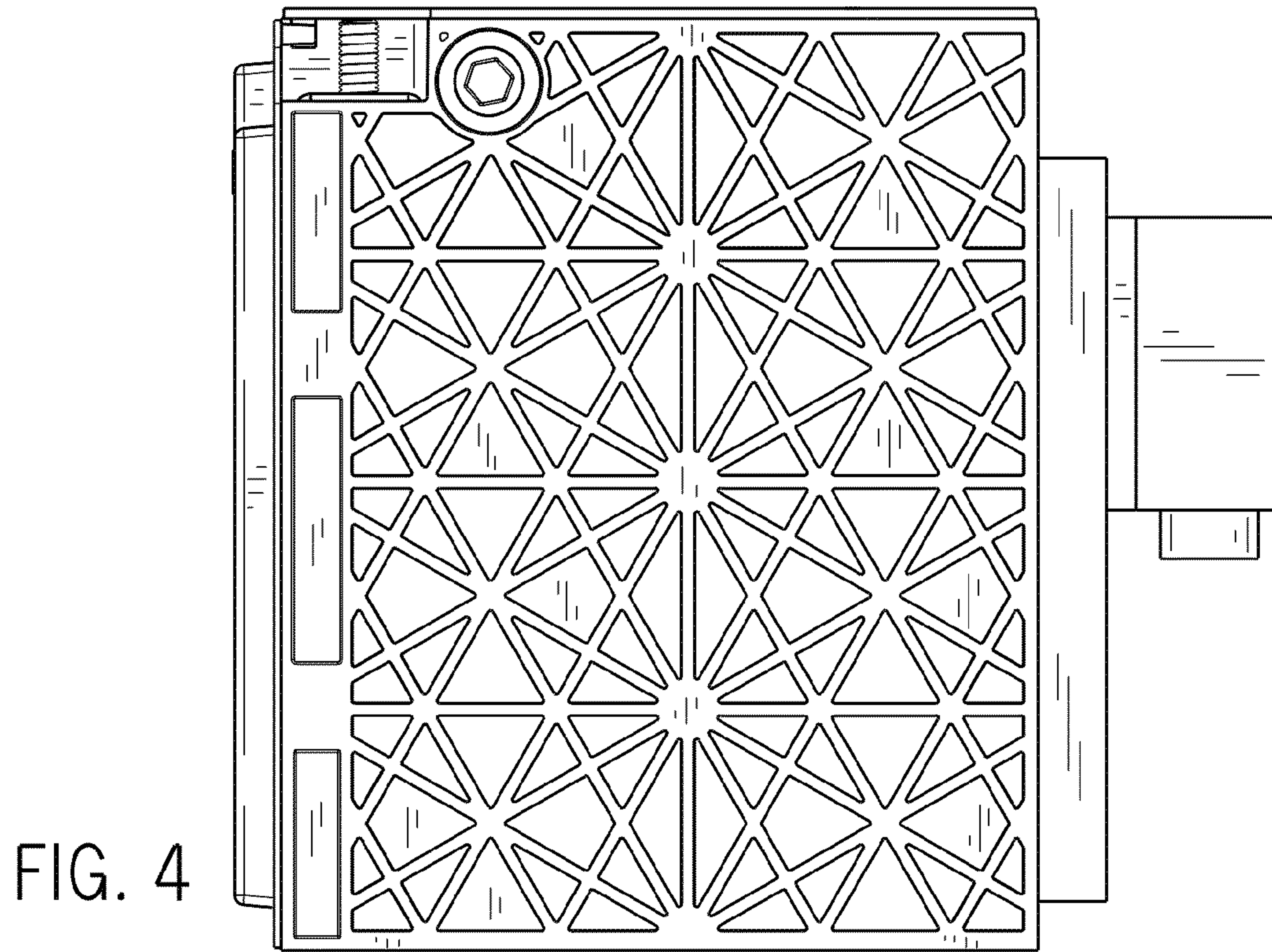


FIG. 3



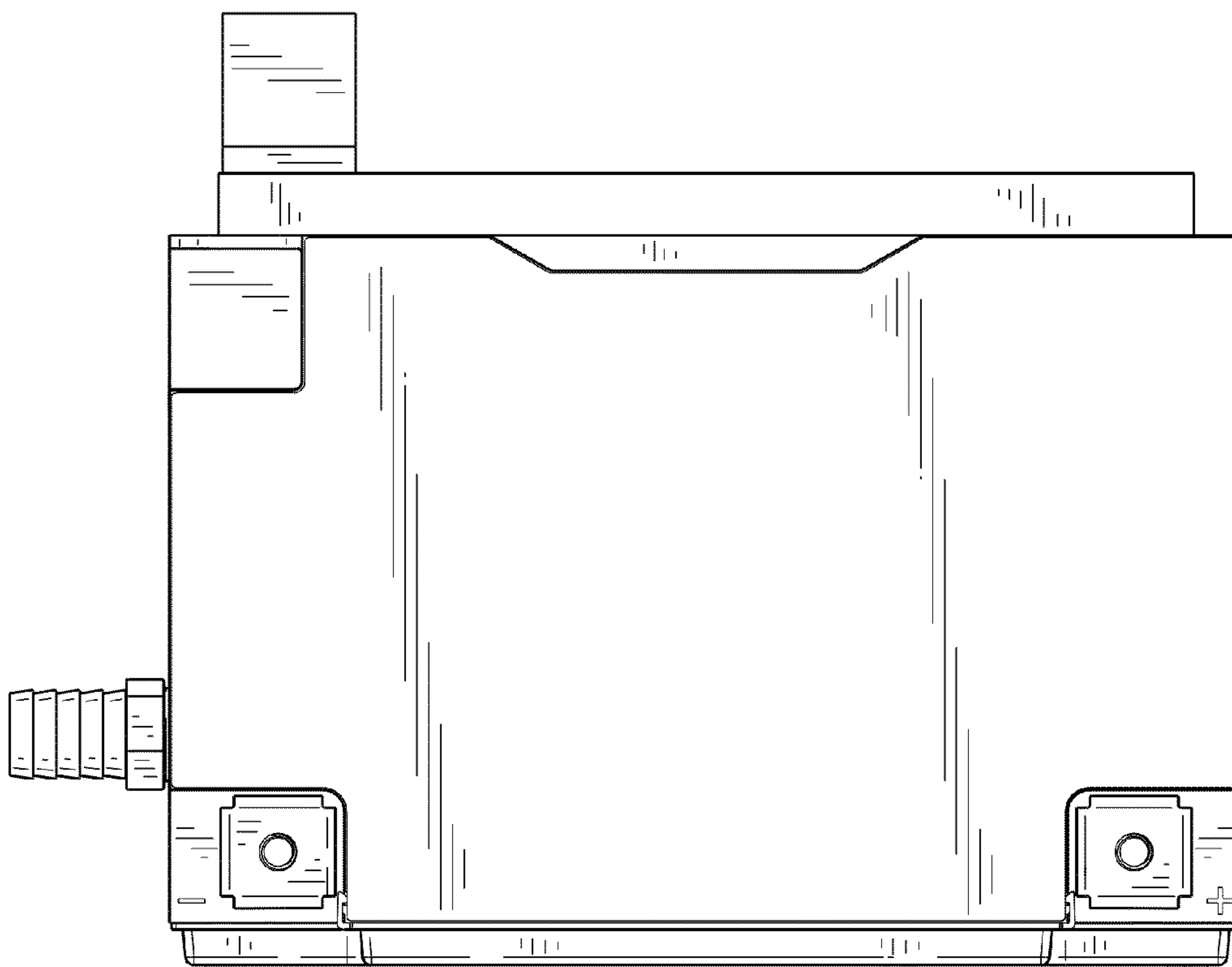


FIG. 6



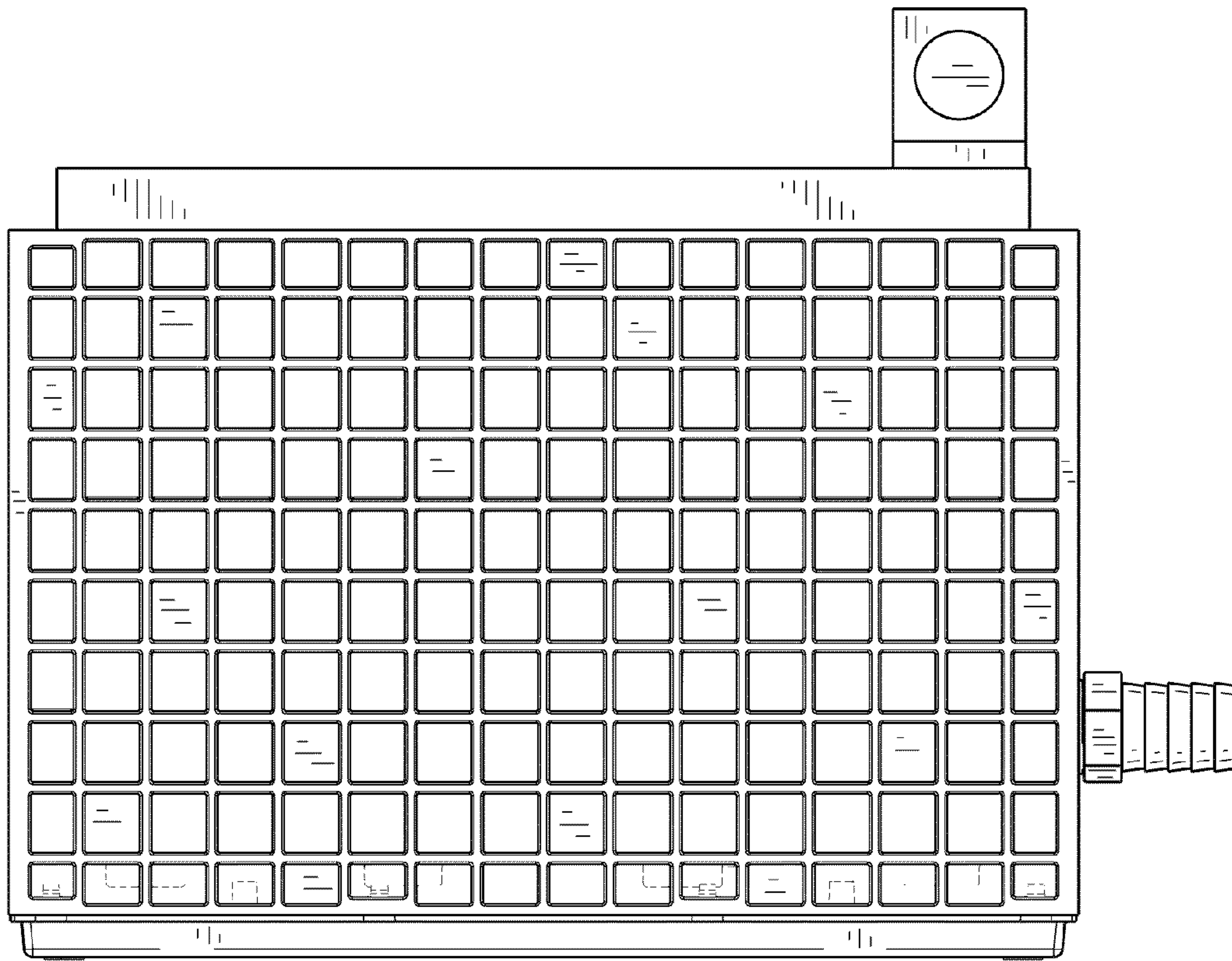


FIG. 7

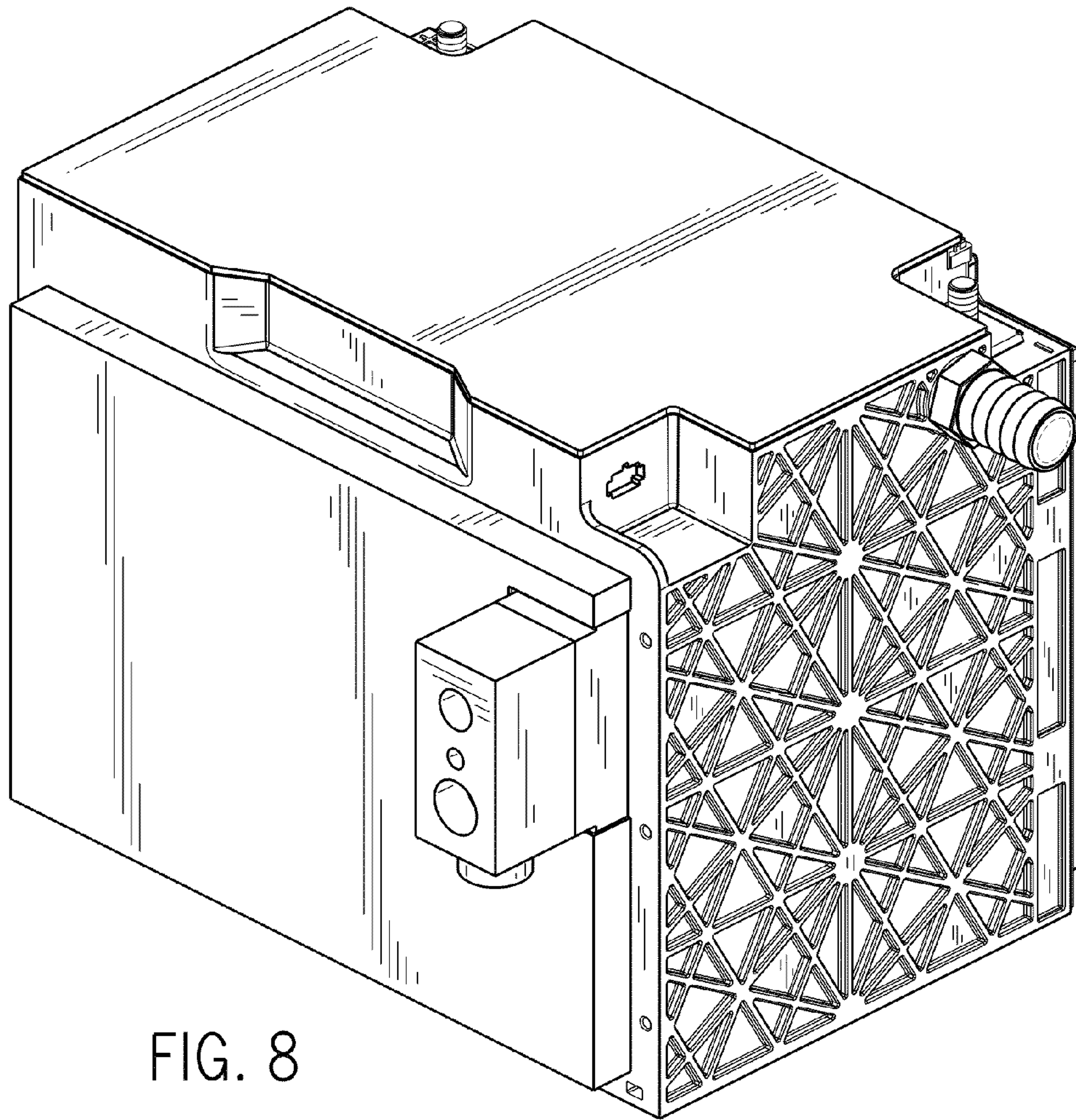


FIG. 8