



US00D760158S

(12) **United States Design Patent**
Vandaele et al.

(10) **Patent No.:** **US D760,158 S**
(45) **Date of Patent:** **** Jun. 28, 2016**

(54) **TIRE**

3/0486; G06F 3/04845; G06F 3/04847; G06F
1/1692

(71) Applicants: **Mathieu Vandaele**, Clermont-Ferrand
(FR); **Luc Delvart**, Clermont-Ferrand
(FR)

See application file for complete search history.

(72) Inventors: **Mathieu Vandaele**, Clermont-Ferrand
(FR); **Luc Delvart**, Clermont-Ferrand
(FR)

(56) **References Cited**

U.S. PATENT DOCUMENTS

(73) Assignees: **COMPAGNIE GENERALE DES
ETABLISSEMENTS MICHELIN**
(FR); **MICHELIN RECHERCHE ET
TECHNIQUE S.A.** (CH)

- 3,628,585 A * 12/1971 Pace B29C 73/163
152/37
- 4,228,839 A * 10/1980 Bohm B29D 30/0005
152/504
- D396,455 S * 7/1998 Bier D14/489
- D474,197 S * 5/2003 Nguyen D14/486
- D505,135 S * 5/2005 Sapp D14/489
- D550,700 S * 9/2007 Griffith D14/492
- D598,467 S * 8/2009 Syme D14/491
- D679,728 S * 4/2013 Umezawa D14/491
- D681,661 S * 5/2013 Koehn D14/488
- D682,880 S * 5/2013 Koehn D14/491

(**) Term: **14 Years**

(Continued)

(21) Appl. No.: **29/493,944**

Primary Examiner — Garth Rademaker

(22) Filed: **Jun. 16, 2014**

Assistant Examiner — Katie Mroczka

(30) **Foreign Application Priority Data**

(74) *Attorney, Agent, or Firm* — Dickinson Wright PLLC

Dec. 16, 2013 (EM) 002371112-0001

(51) **LOC (10) CL.** **12-15**

(57) **CLAIM**

The ornamental design for a tire, as shown and described.

(52) **U.S. Cl.**

USPC **D12/605**

DESCRIPTION

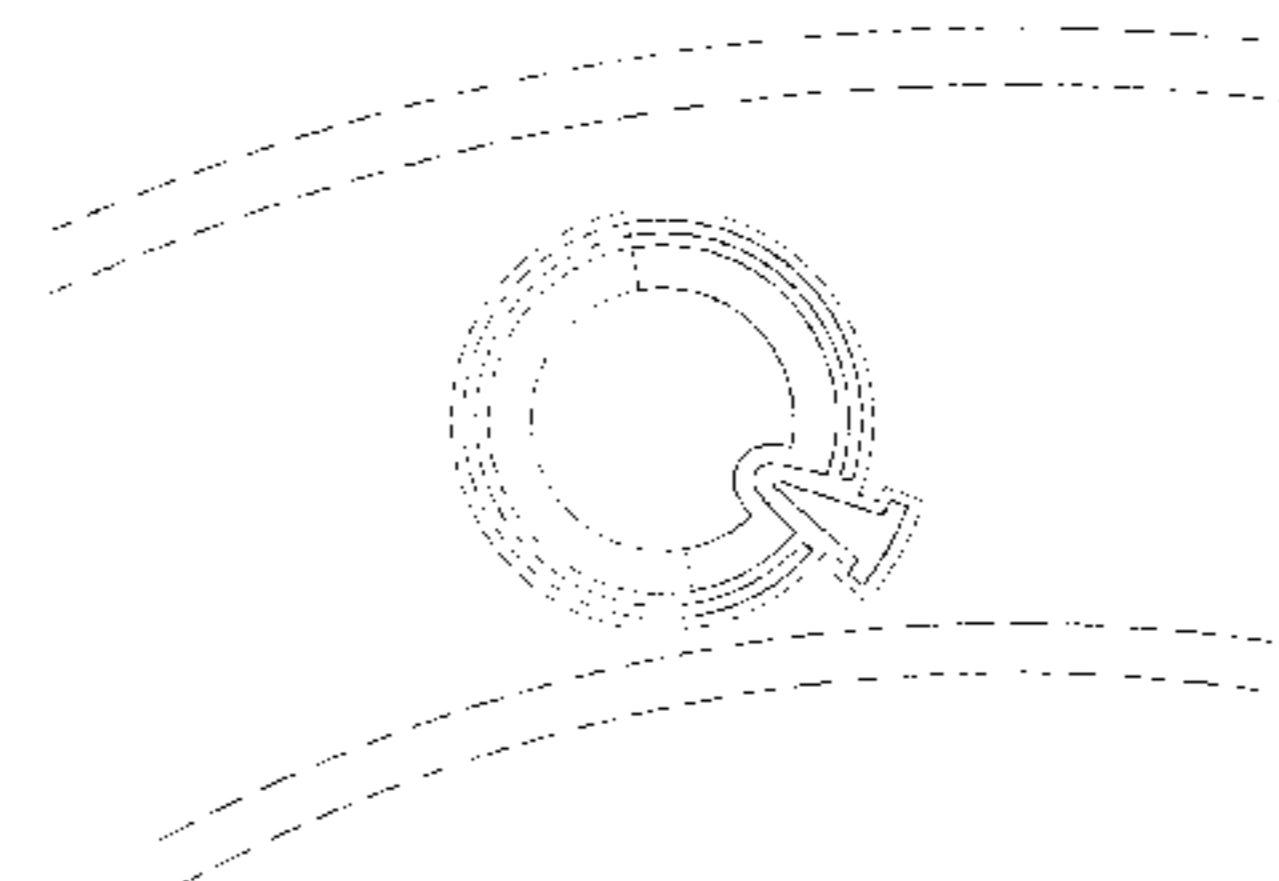
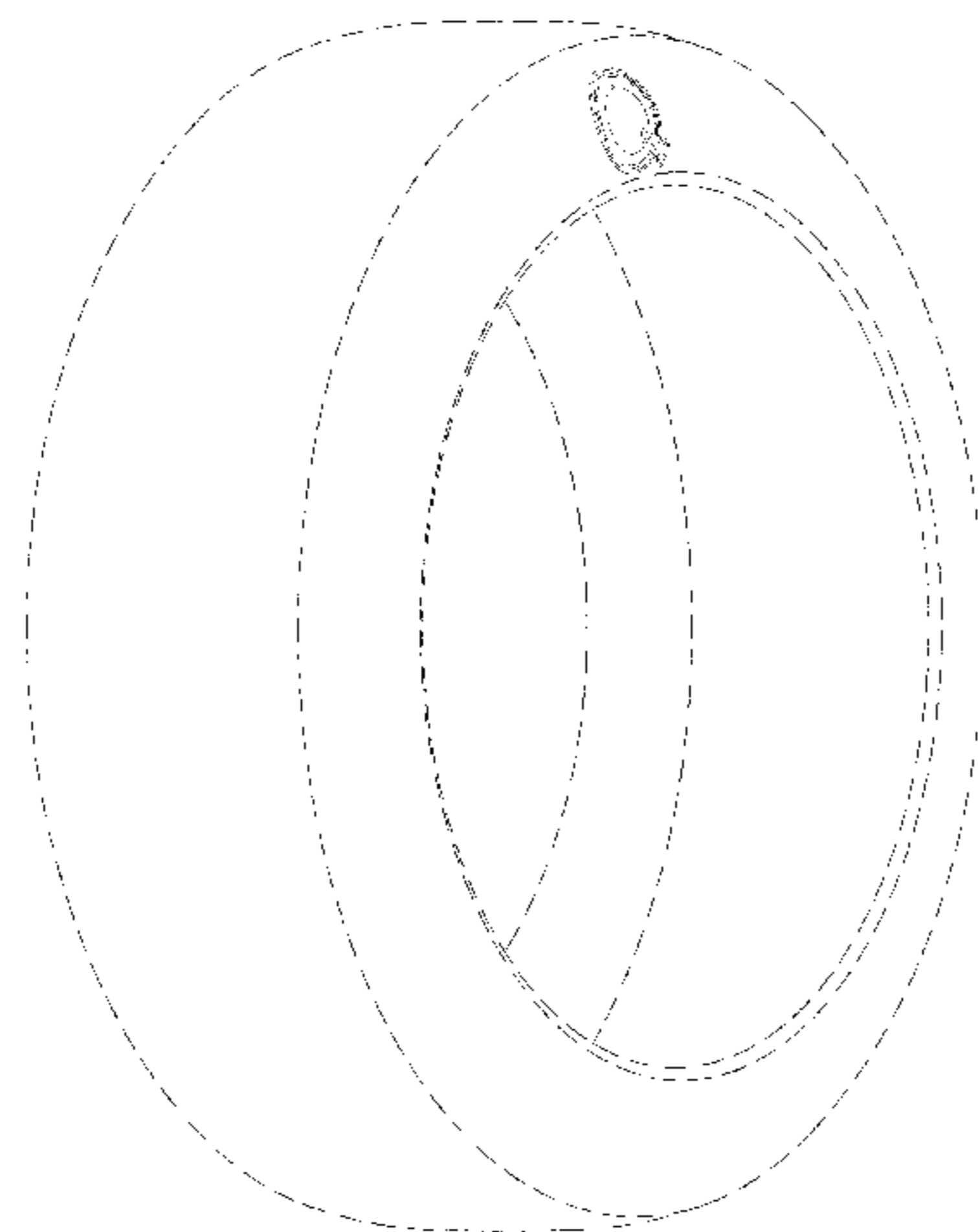
(58) **Field of Classification Search**

USPC D12/536, 559, 561, 604, 605, 512, 519,
D12/522, 537-538, 542, 544, 551, 552, 554,
D12/563, 568-603; D7/588, 396.4, 396.5;
152/523, 524, 525, 555, 209.1-209.9,
152/209.11-209.19, 209.21-209.28, 455;
D11/2-4, 26; D14/485-495

FIG. 1 is a perspective view of a tire with the ornamental design shown on the sidewall thereof;
FIG. 2 is a side elevational view of the tire of FIG. 1;
FIG. 3 is a side elevational view of the tire of FIG. 1, taken from the opposite side shown in FIG. 2;
FIG. 4 is a front elevational view of the tire of FIG. 1; and,
FIG. 5 is a detailed view of the ornamental design of FIG. 1. The broken lines shown in FIGS. 1, 2 and 5 adjacent to the claimed portion of the tire indicate the boundaries of the claim that form no part of the claimed design; and the additional broken lines in FIGS. 1-5 represent portions of the tire that form no part of the claimed design.

CPC B60C 13/00; B60C 13/001; B60C 13/02;
B60C 1/0025; B60C 11/03; B60C 11/0304;
B60C 11/1218; B60C 11/1236; B60C
11/1281; B60C 2011/1213; B60C 2200/06;
B60C 1/00; B60C 11/0302; B60C 11/0306;
B60C 11/0309; G06T 13/80; G06T 15/02;
H04N 1/00424; G06F 3/04817; G06F 3/0481;
G06F 3/0485; G06F 2203/04806; G06F

1 Claim, 5 Drawing Sheets



US D760,158 S

Page 2

(56)

References Cited

U.S. PATENT DOCUMENTS

D731,541 S * 6/2015 Lee D14/489
D732,050 S * 6/2015 Lee D14/485

D727,335 S * 4/2015 Allison D14/485 * cited by examiner

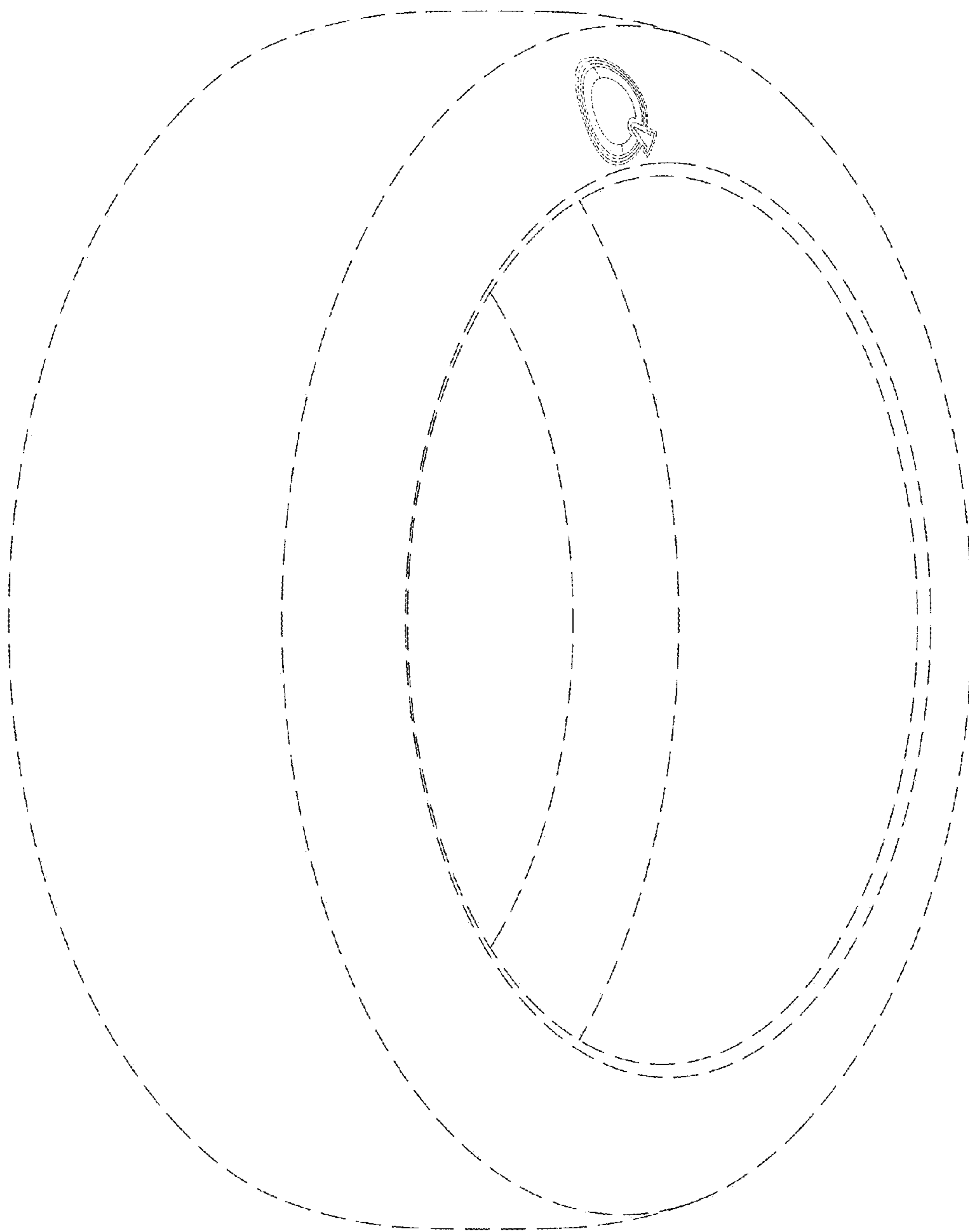


FIG. 1

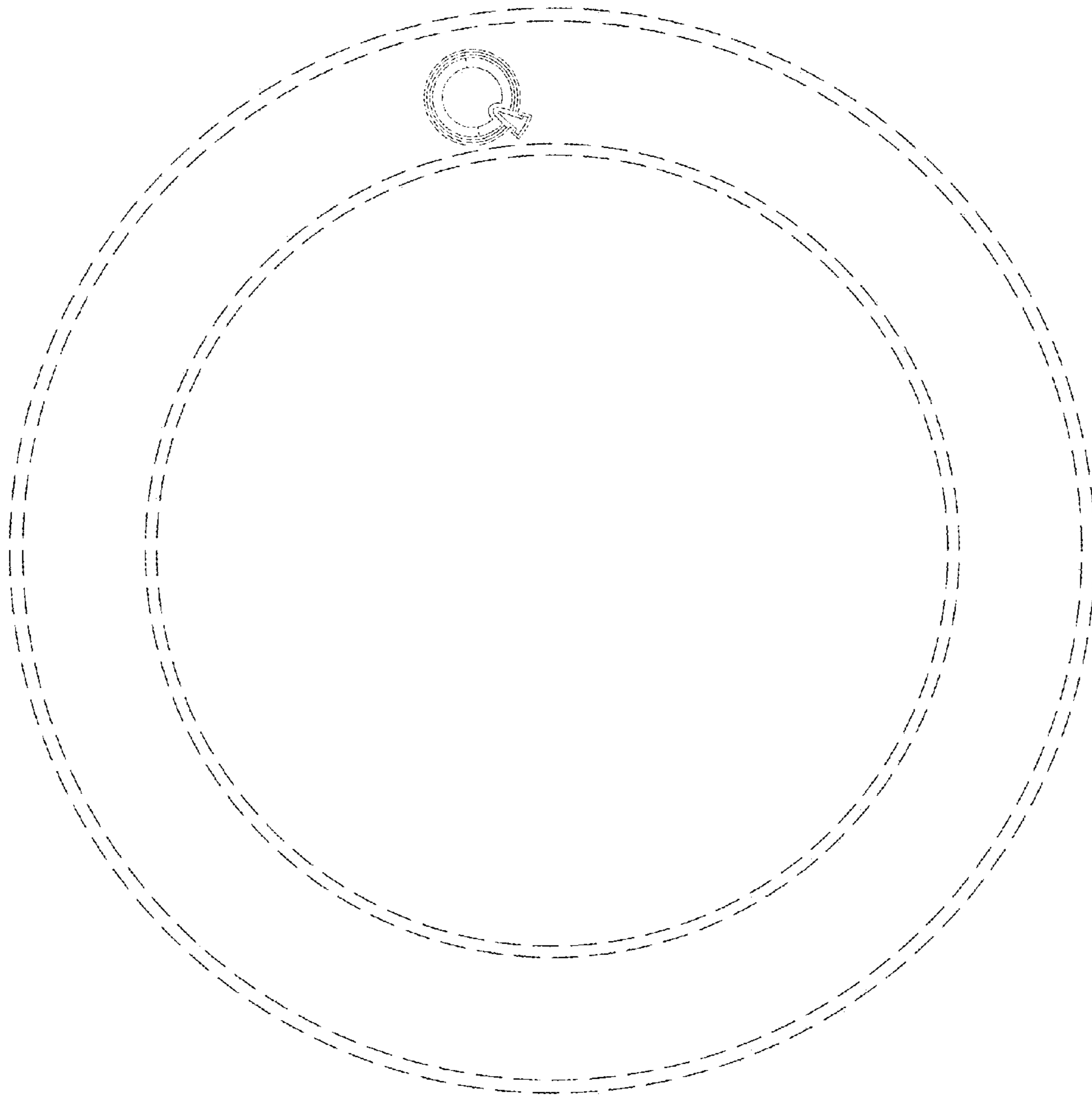


FIG. 2



FIG. 3

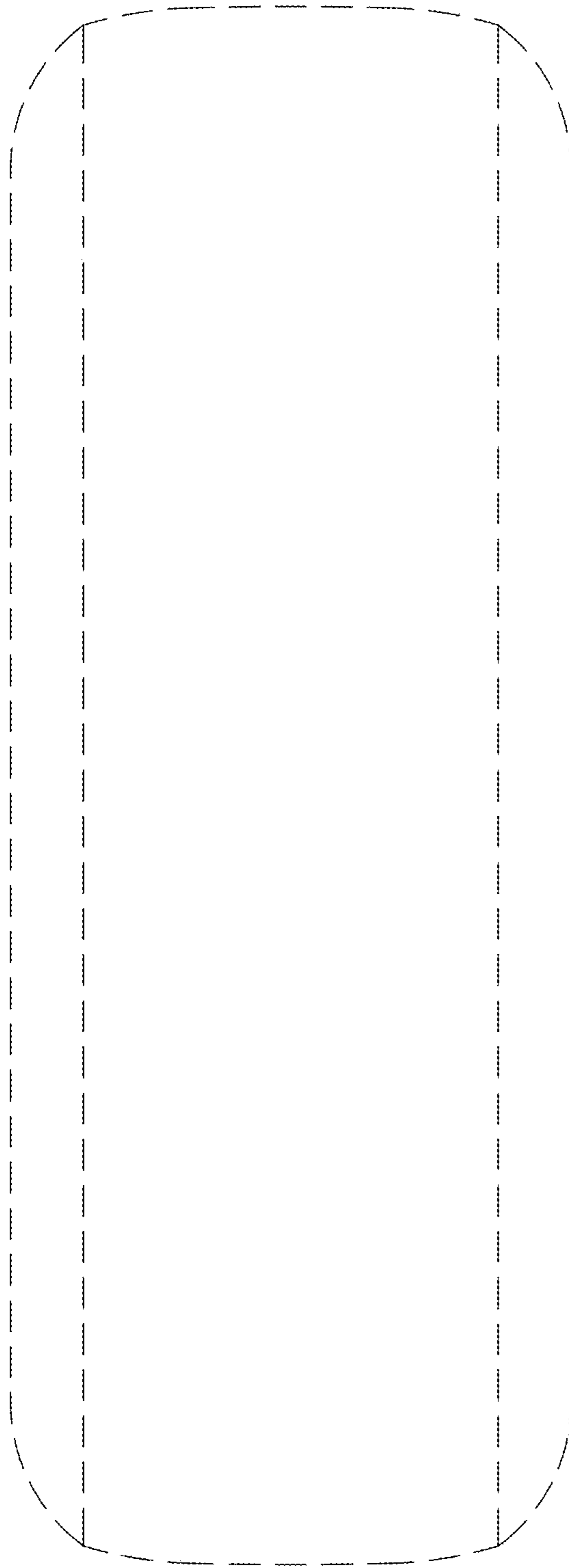


FIG. 4

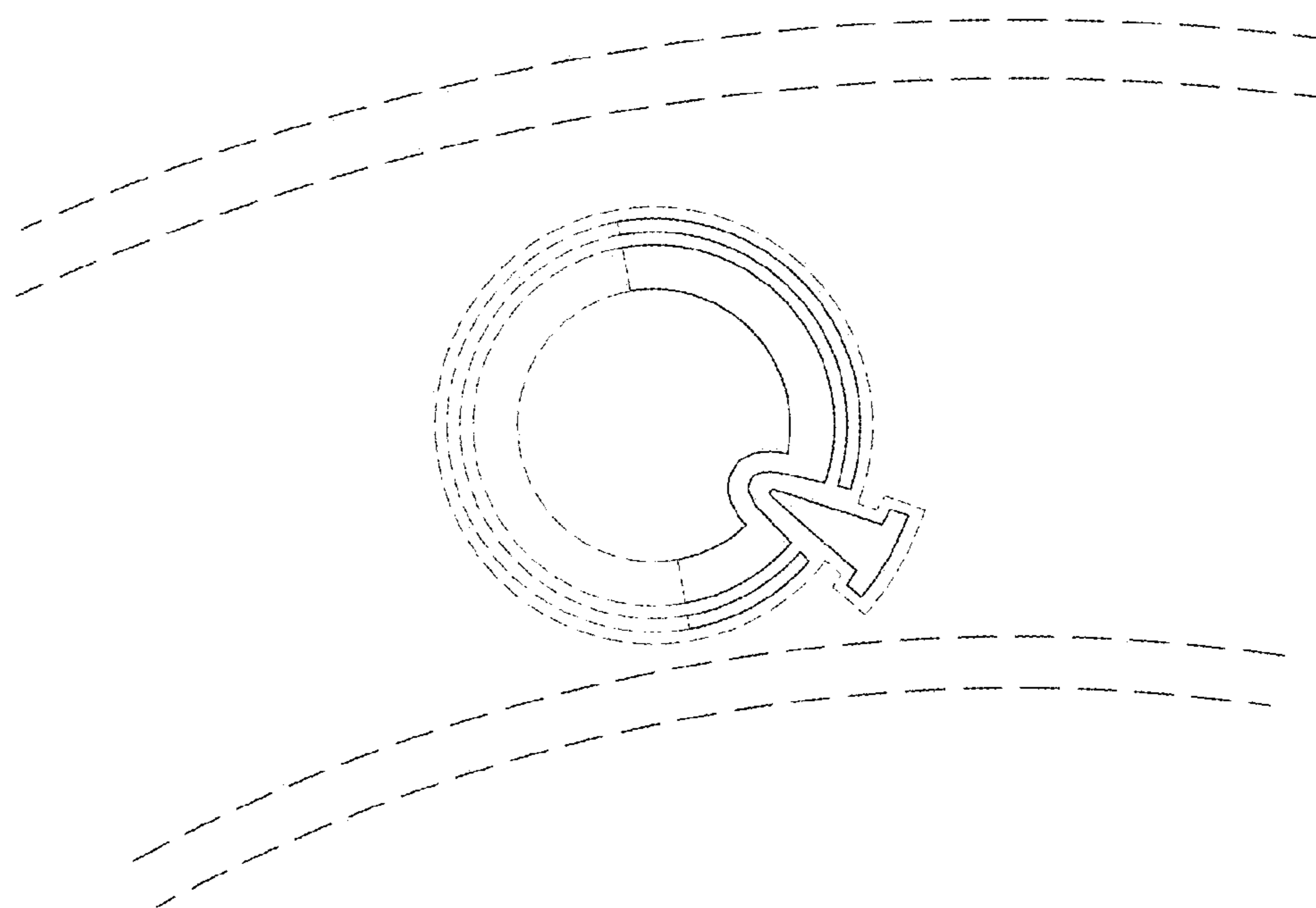


FIG. 5