



US00D760155S

(12) **United States Design Patent**
Fontaine et al.

(10) **Patent No.:** **US D760,155 S**
(45) **Date of Patent:** **** Jun. 28, 2016**

- (54) **TIRE**
- (71) Applicant: **The Goodyear Tire & Rubber Company, Akron, OH (US)**
- (72) Inventors: **Sebastien Willy Fontaine, Vichten (LU); Matthieu Pingonat, Fameck (FR); Brian Rene Bourel, Schieren (LU); Pascale de Briey-Terlinden, Attert (BE); William Urbano Villamizar, Mersch (LU)**
- (73) Assignee: **The Goodyear Tire & Rubber Company, Akron, OH (US)**
- (**) Term: **14 Years**
- (21) Appl. No.: **29/478,456**
- (22) Filed: **Jan. 6, 2014**
- (51) **LOC (10) Cl.** **12-15**
- (52) **U.S. Cl.**
USPC **D12/601**
- (58) **Field of Classification Search**
USPC D12/568-603; 152/209.1-209.28
CPC .. B60C 11/033; B60C 11/13; B60C 11/1315;
B60C 13/02
See application file for complete search history.

D578,955 S	10/2008	Fontaine et al.	D12/524
D583,306 S	12/2008	Fontaine et al.	D12/566
D586,725 S	2/2009	Fontaine et al.	D12/519
D599,276 S	9/2009	Fontaine et al.	D12/519
D633,433 S	3/2011	Sieber et al.	D12/519
D639,722 S	6/2011	Sieber et al.	D12/532
D651,967 S *	1/2012	Regallis et al.	D12/600
D659,084 S	5/2012	Graas et al.	D12/590
D668,600 S	10/2012	Pingenat et al.	D12/584
D675,148 S	1/2013	Kiwaki	D12/517
D689,430 S	9/2013	Fontaine et al.	D12/523
D692,371 S	10/2013	Fontaine et al.	D12/517

* cited by examiner

Primary Examiner — George D Kirschbaum

Assistant Examiner — Jennifer Watkins

(74) *Attorney, Agent, or Firm* — Robert N. Lipschik

(57) **CLAIM**

The ornamental design for a tire, as shown and described.

DESCRIPTION

FIG. 1 is a perspective view of a tire showing our new design, it being understood that the pattern repeats uniformly throughout the circumference of the tread;

FIG. 2 is a front elevational view thereof;

FIG. 3 is a right side elevational view thereof; the opposite side elevational view being identical thereto;

FIG. 4 is an enlarged fragmentary front elevational view thereof;

FIG. 5 is a perspective view of a second embodiment of a tire showing our new design, it being understood that the pattern repeats uniformly throughout the circumference of the tread and that the opposite side view is identical thereto; and,

FIG. 6 is a front elevational view of a second embodiment, it being understood that an enlarged fragmentary view thereof would be substantially identical to that shown in FIG. 4, with the exception of the inclusion of the sidewall in solid lines.

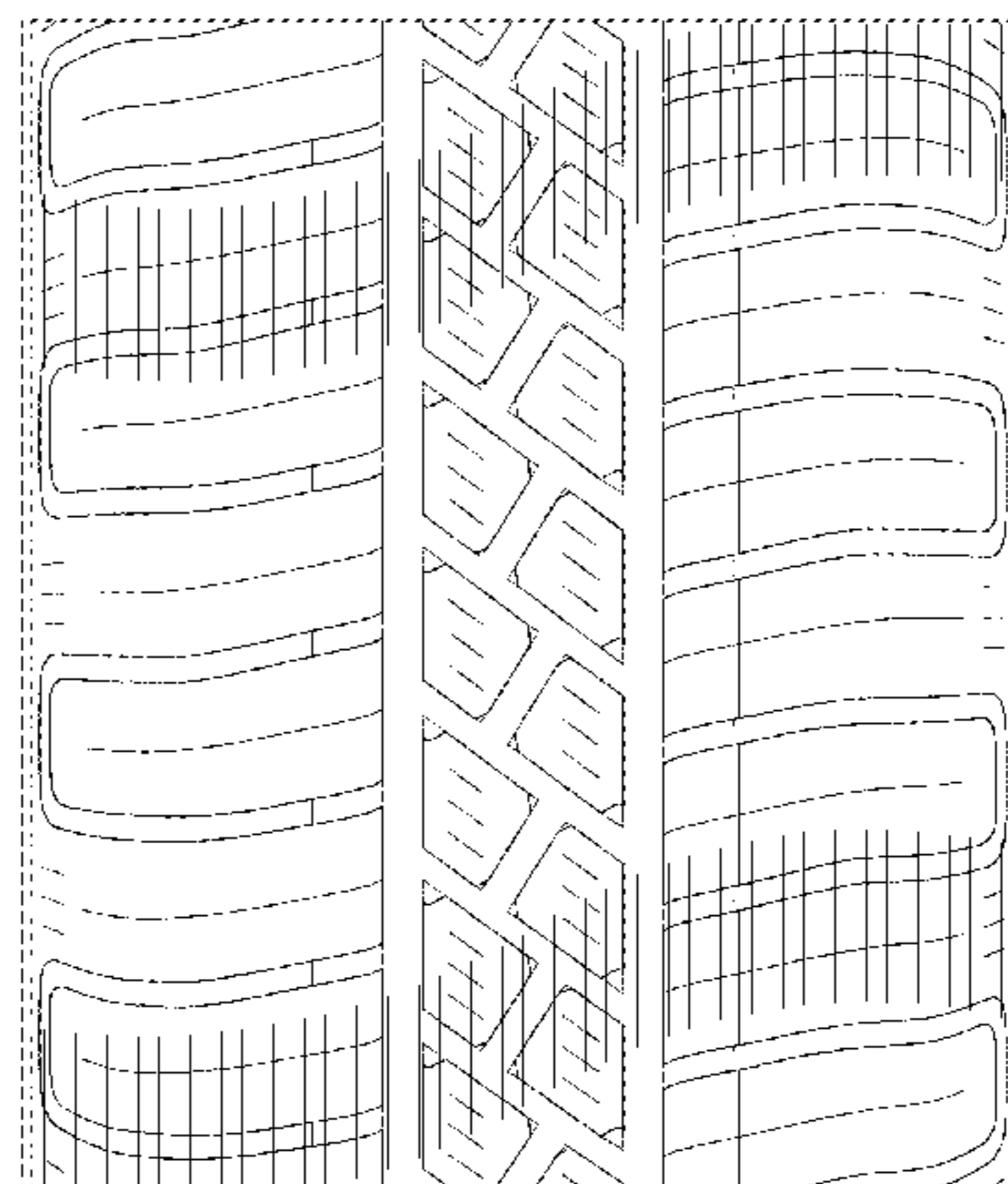
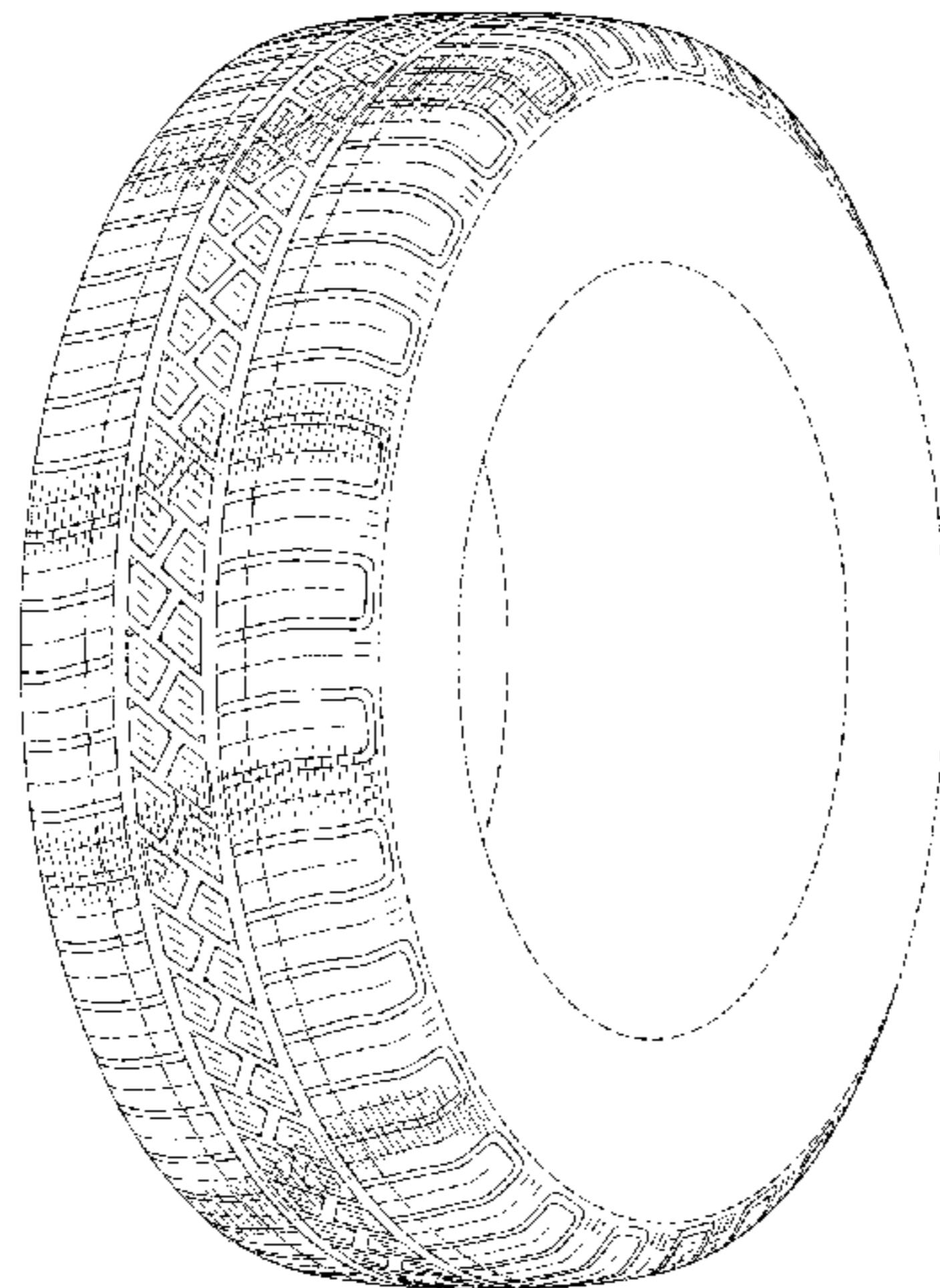
In the drawings, the broken lines showing the sidewall, inner bead and the peripheral boundary between the tire tread and the sidewall in FIGS. 1-4 depict portions of a tire and form no part of the claim.

1 Claim, 6 Drawing Sheets

(56) **References Cited**

U.S. PATENT DOCUMENTS

D348,241 S	*	6/1994	Graas et al.	D12/602
D364,367 S		11/1995	Klepper et al.	D12/146
D367,449 S	*	2/1996	Chin et al.	D12/602
D400,136 S		10/1998	Heinen et al.	D12/147
D437,269 S		2/2001	Slingluff	D12/147
D444,109 S	*	6/2001	De Coninck et al.	D12/602
D470,101 S		2/2003	Heinen	D12/584
D471,857 S		3/2003	Roux	D12/532
D482,323 S		11/2003	Corbin et al.	D12/584
D537,033 S	*	2/2007	Dumigan et al.	D12/602
D545,264 S		6/2007	Takahashi et al.	D12/532
D577,655 S		9/2008	Heinen	D12/521



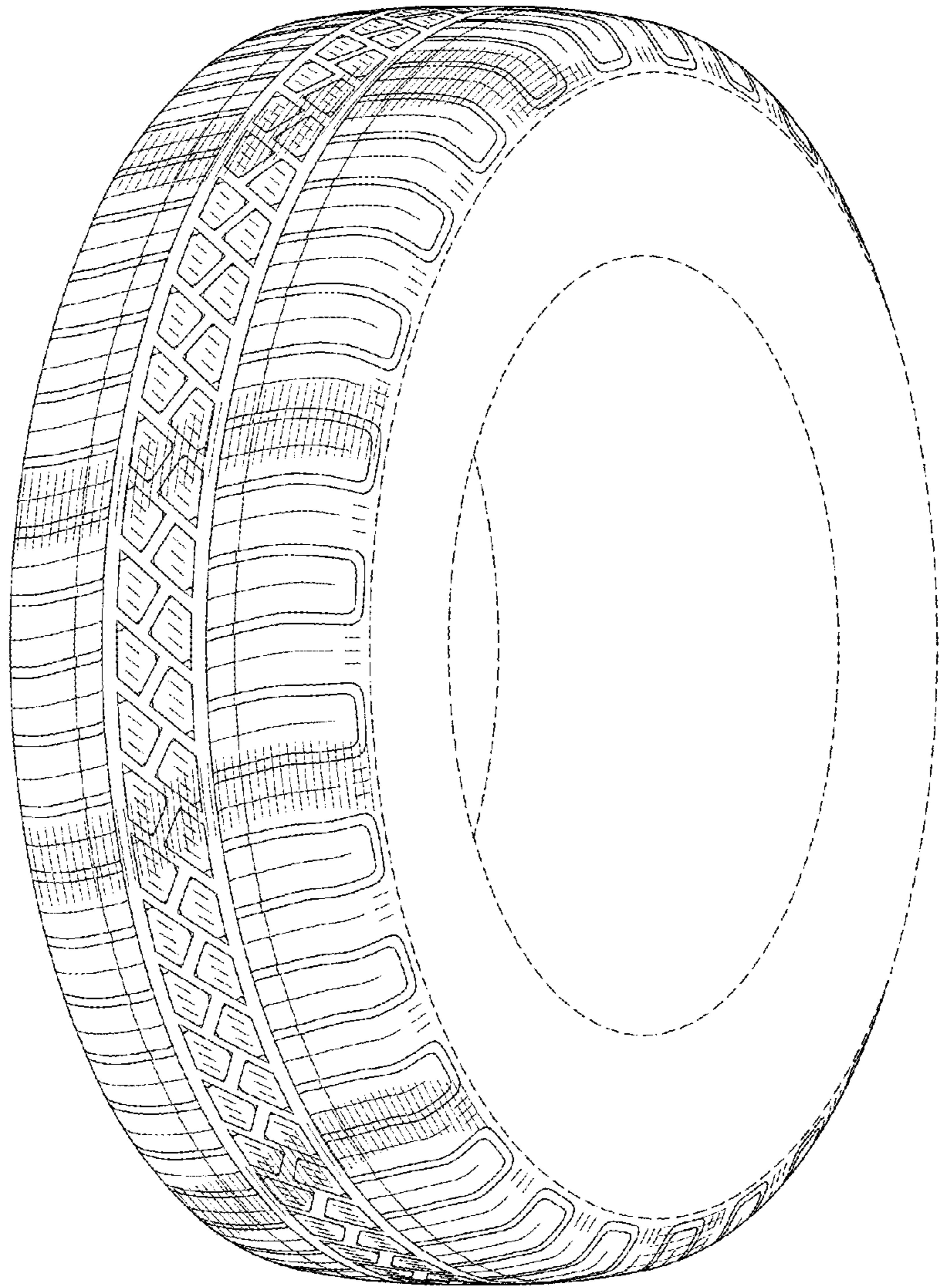


FIG-1

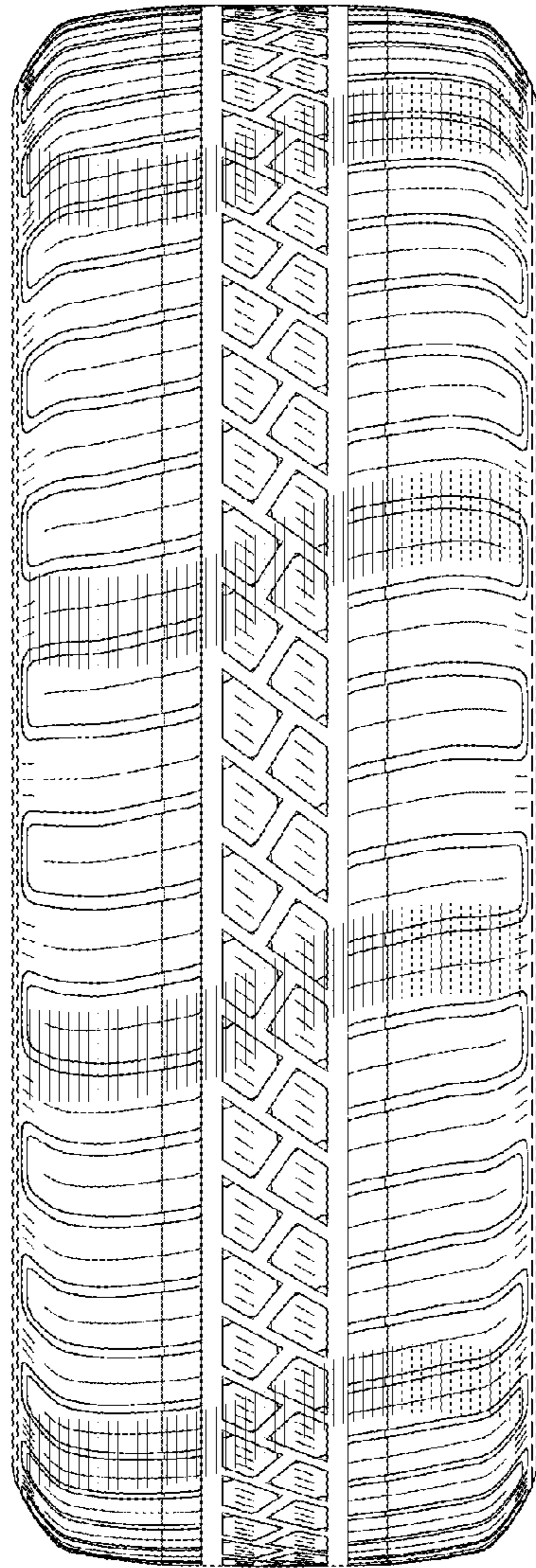


FIG-2

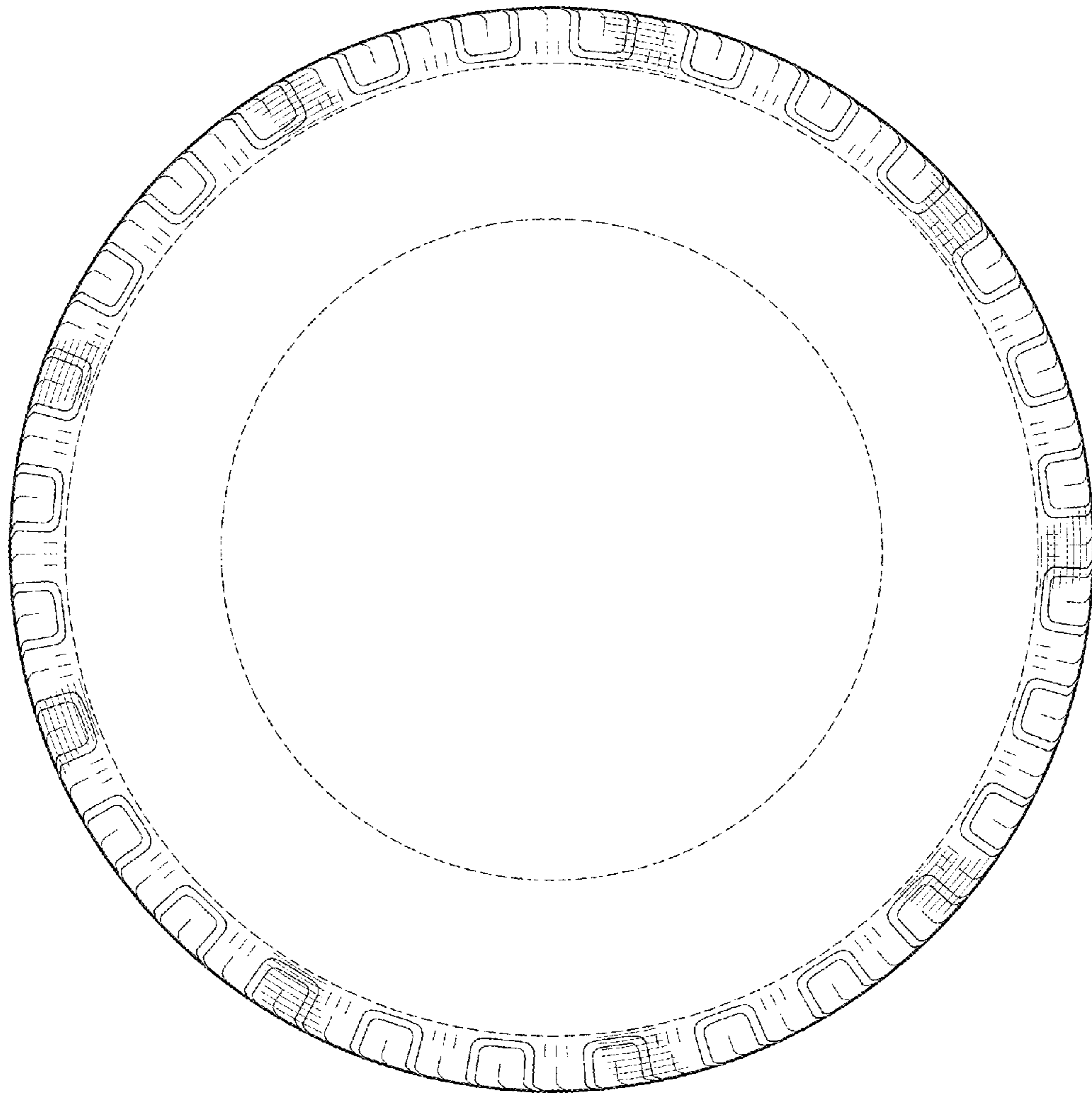


FIG-3

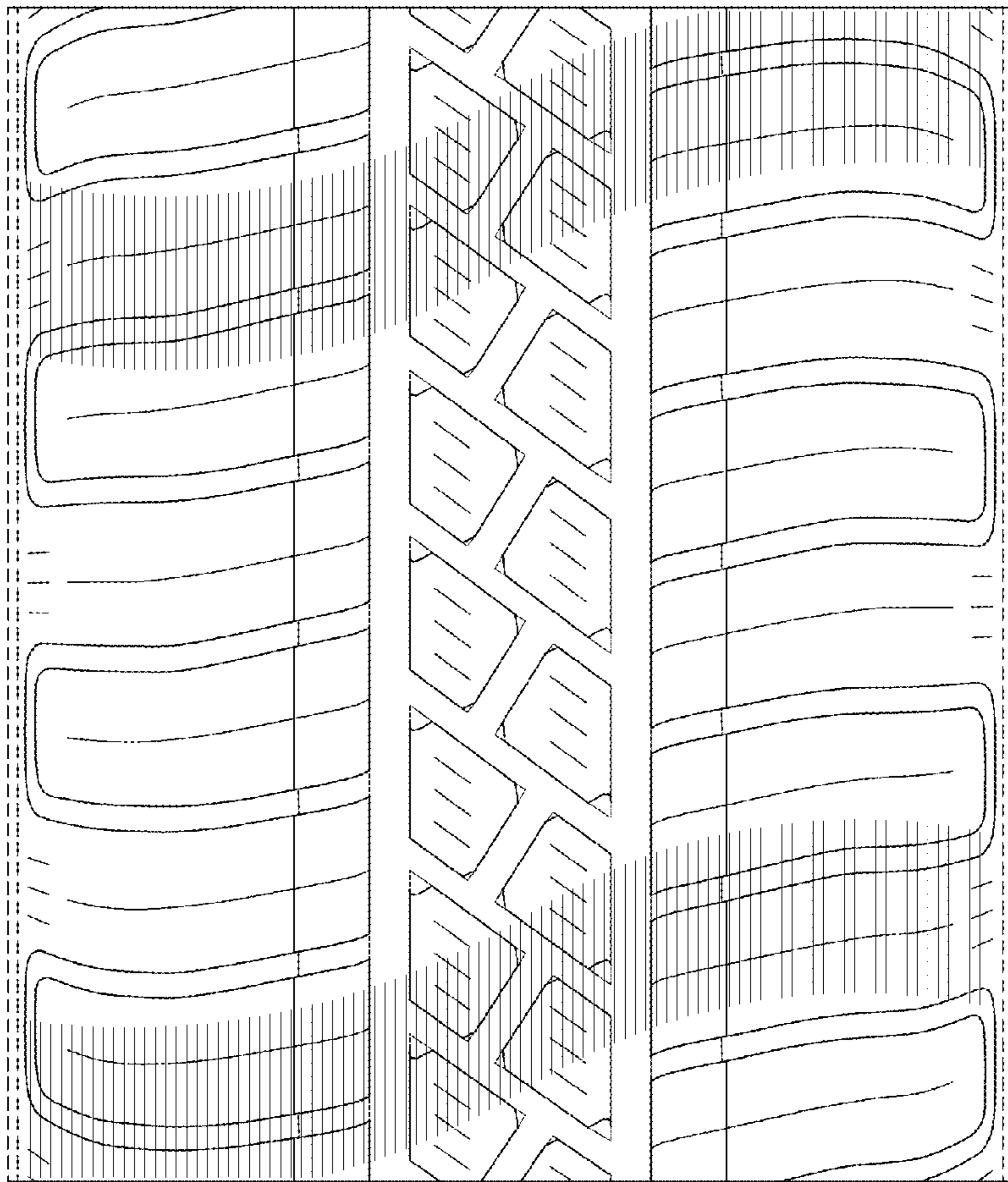


FIG-4

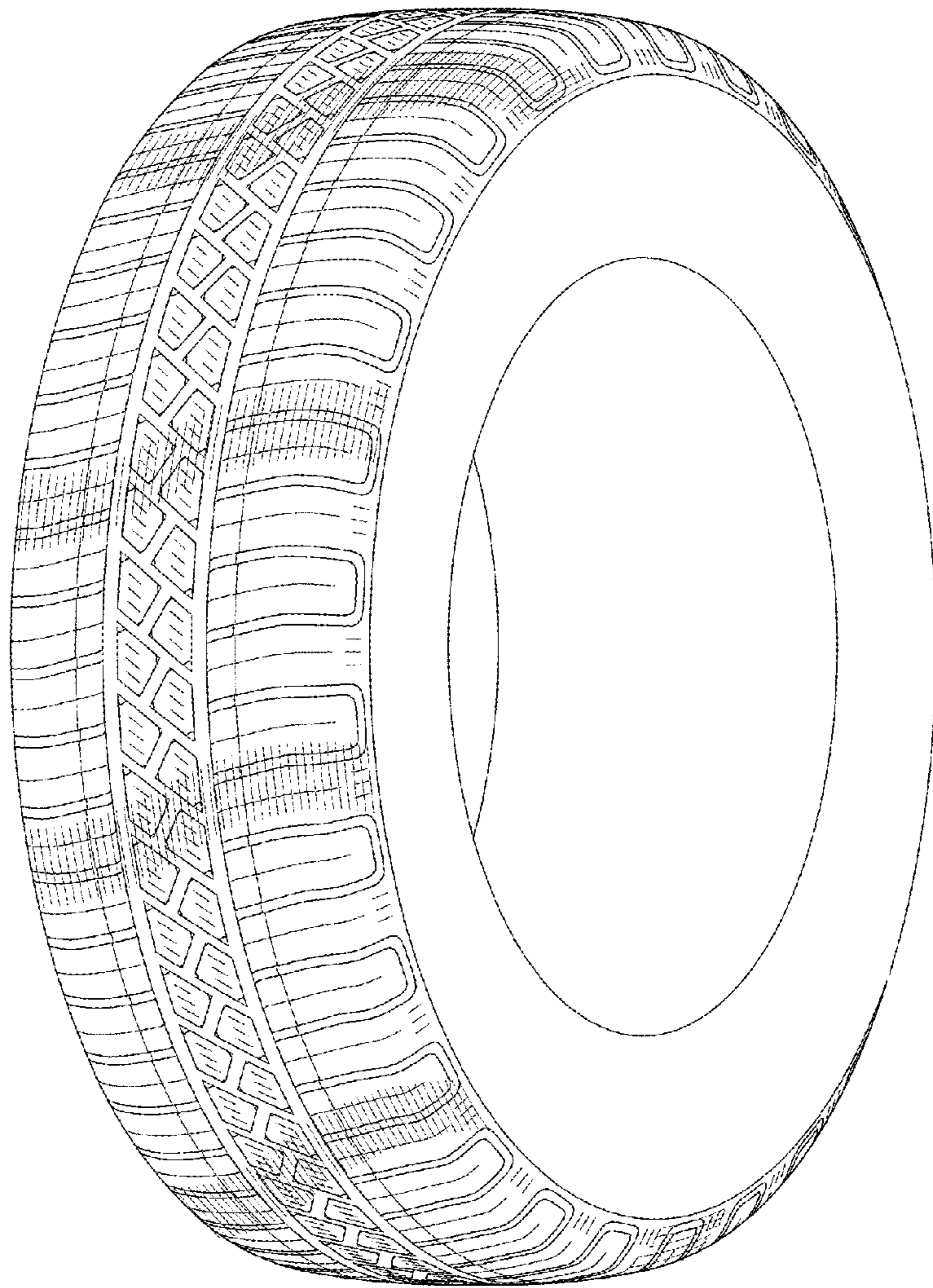


FIG-5

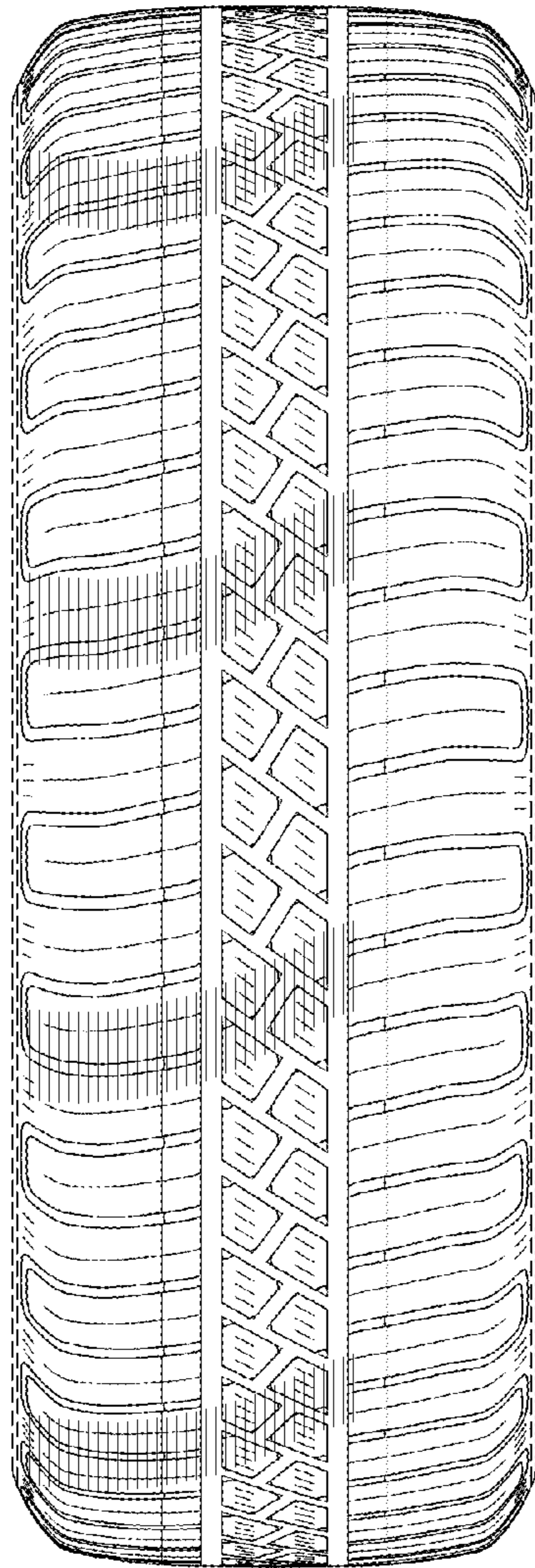


FIG-6