



US00D760146S

(12) **United States Design Patent**
Wilkinson et al.

(10) **Patent No.:** **US D760,146 S**
(45) **Date of Patent:** **** Jun. 28, 2016**

- (54) **AIRCRAFT LIGHT UNIT**
- (71) Applicants: **Dean Andrew Wilkinson**, Boise, ID (US); **Nathan Howard Calvin**, Boise, ID (US)
- (72) Inventors: **Dean Andrew Wilkinson**, Boise, ID (US); **Nathan Howard Calvin**, Boise, ID (US)
- (**) Term: **14 Years**
- (21) Appl. No.: **29/512,959**
- (22) Filed: **Dec. 23, 2014**
- (51) **LOC (10) Cl.** **12-07**
- (52) **U.S. Cl.**
USPC **D12/345**
- (58) **Field of Classification Search**
USPC D26/28-36; D12/345; 362/61, 80-83, 362/267-269, 459-468, 475-478, 485-487
CPC B64C 1/00; B64C 1/064; B64C 1/26; H01J 5/48; H01J 5/50; H01J 19/54; F21V 5/00
See application file for complete search history.

- 5,453,729 A 9/1995 Chu
- 5,703,719 A 12/1997 Chen
- D626,057 S * 10/2010 Calvin D12/345
- D645,177 S * 9/2011 Okuda D12/345
- 8,573,820 B2 11/2013 Desai et al.
- 2010/0238658 A1 9/2010 Xiang et al.

OTHER PUBLICATIONS

Whelen Engineering Whelen Aviation Spare Parts Catalog 2013 p. 20
Searched Dec. 20, 2014. Whelen Engineering Company, Inc. 51
Winthrop Road, Chester, CT 06412.

* cited by examiner

Primary Examiner — Marcus Jackson
(74) *Attorney, Agent, or Firm* — Gerard Carlson, Agent

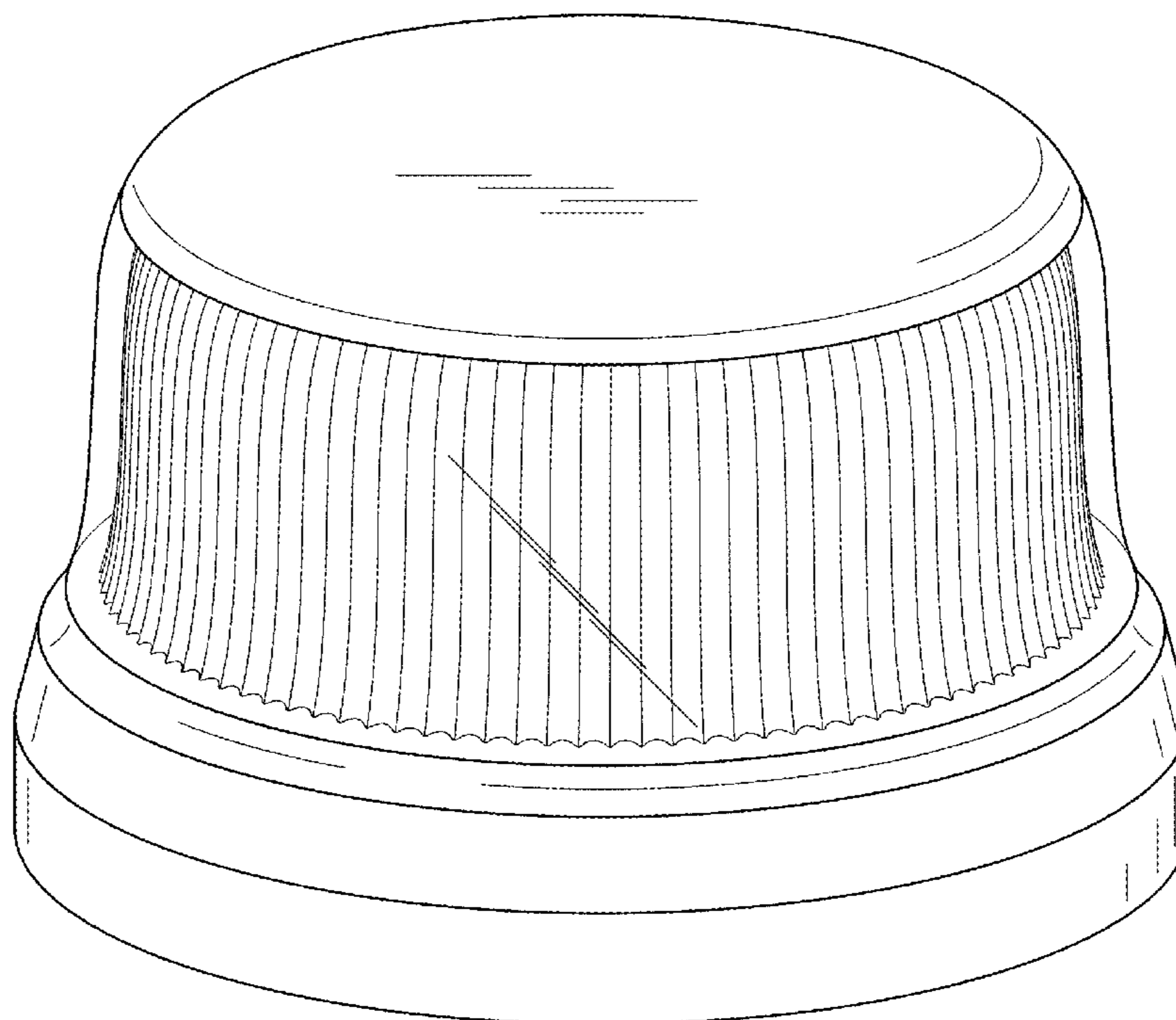
(57) **CLAIM**
The ornamental design for an aircraft light unit, as shown and described.

DESCRIPTION

FIG. 1 is a perspective view aircraft light unit.
FIG. 2 is a side view aircraft light unit; and,
FIG. 3 is a top view of the view aircraft light unit.
The below or under view of the aircraft light unit is not shown because it has no ornamental content.

1 Claim, 3 Drawing Sheets

- (56) **References Cited**
U.S. PATENT DOCUMENTS
5,136,483 A 8/1992 Schoniger
5,365,372 A 11/1994 Chen



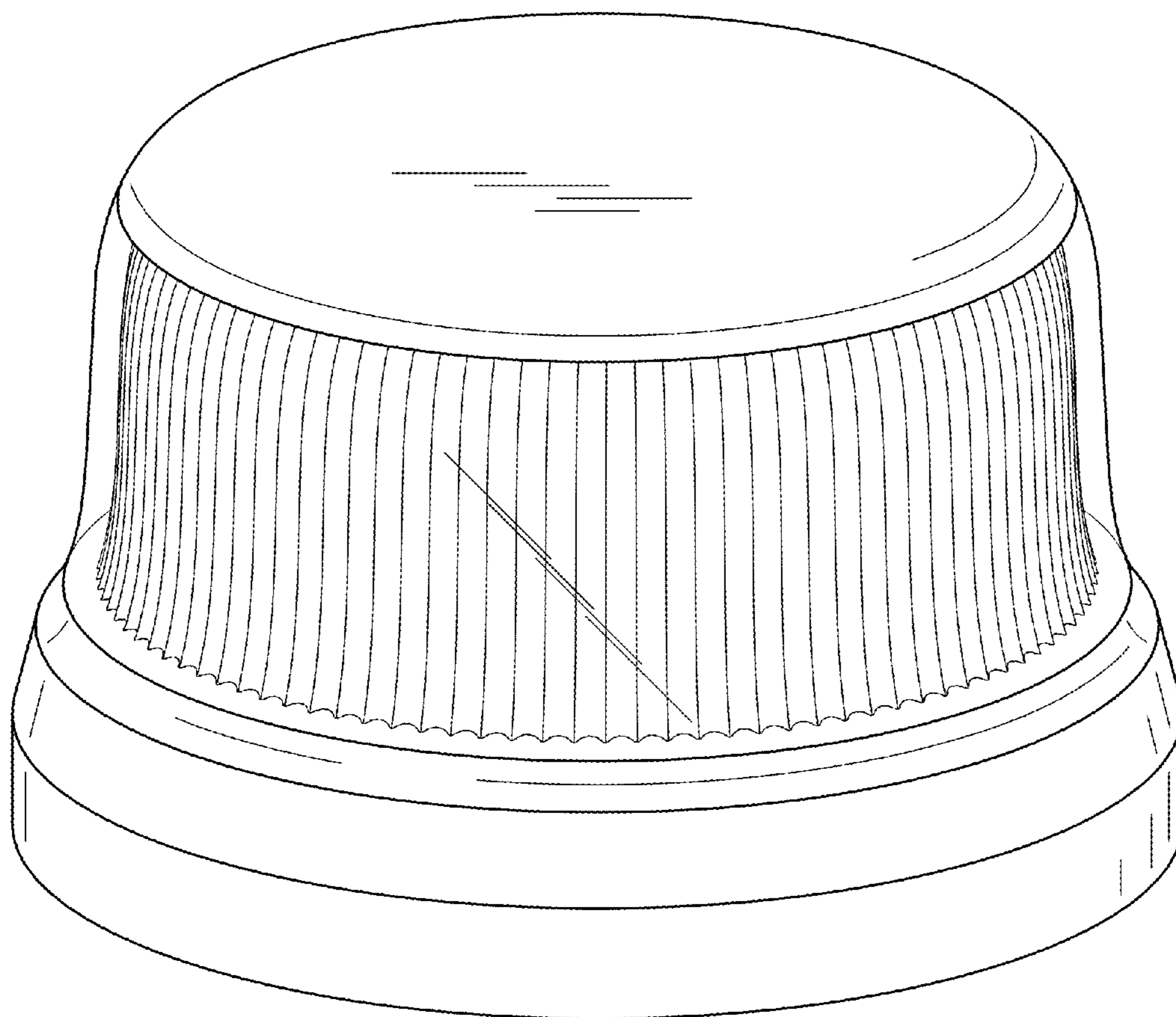


FIG. 1

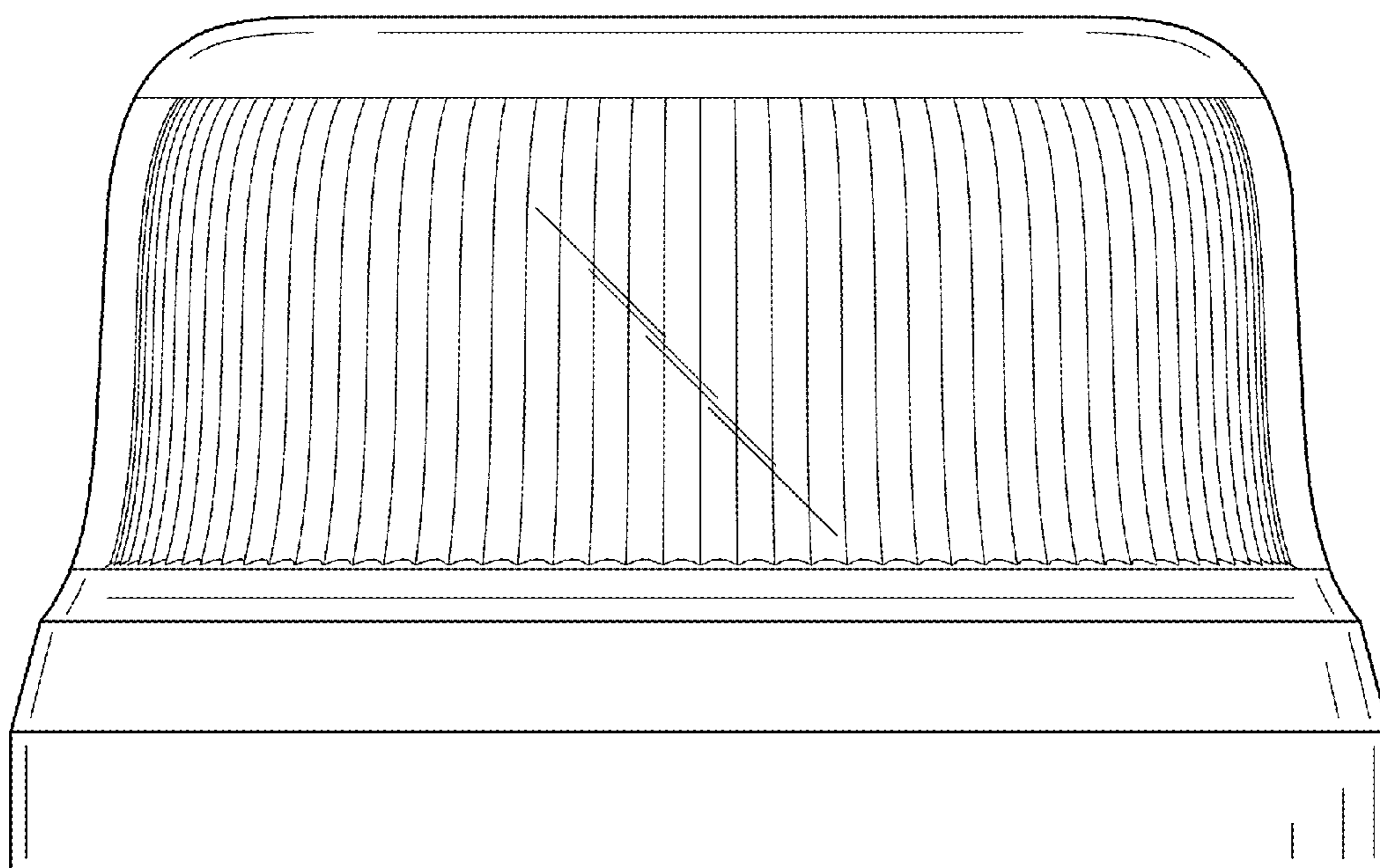


FIG. 2

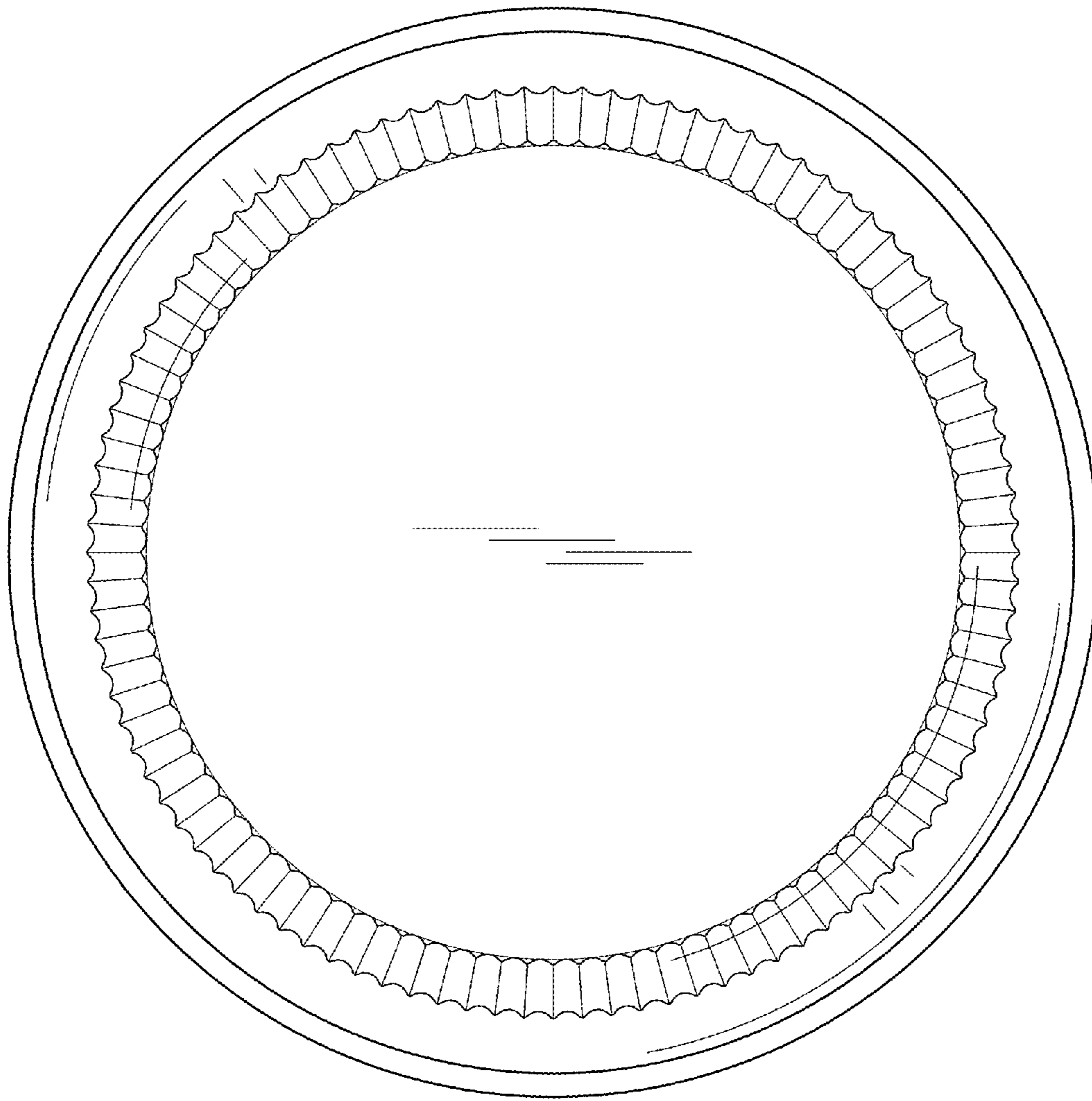


FIG. 3