



US00D760145S

(12) **United States Design Patent**
Kasparian et al.

(10) **Patent No.:** **US D760,145 S**
(45) **Date of Patent:** **** Jun. 28, 2016**

- (54) **AIRCRAFT SIDE STICK CONTROLLER**
- (71) Applicant: **Gulfstream Aerospace Corporation**, Savannah, GA (US)
- (72) Inventors: **Aram Kasparian**, Savannah, GA (US); **Andrew Fulford**, Northville, MI (US); **Deborah Brannigan**, Savannah, GA (US)
- (73) Assignee: **Gulfstream Aerospace Corporation**, Savannah, GA (US)
- (**) Term: **14 Years**
- (21) Appl. No.: **29/506,258**
- (22) Filed: **Oct. 14, 2014**
- (51) **LOC (10) Cl.** **12-07**
- (52) **U.S. Cl.**
USPC **D12/345**
- (58) **Field of Classification Search**
USPC D6/336, 384, 653, 654, 665, 657, 663, D6/672, 573; D7/602, 603, 614; D12/319, D12/323, 325, 336, 345, 192, 423, 415, 416, D12/179, 180, 182; D21/436, 447, 448, D21/449, 453
CPC B64C 13/04; B64D 11/0007; B64D 11/0015; B64D 11/003; B64D 11/04; B64D 2011/0046; B64D 11/0629; B64B 1/10
See application file for complete search history.

- D590,763 S * 4/2009 Yu D12/415
- D592,126 S * 5/2009 da Silveira D12/345
- D603,313 S * 11/2009 Pohanka D12/179
- D606,467 S * 12/2009 Ballard D12/179
- D606,915 S * 12/2009 Booker D12/179
- D613,668 S * 4/2010 Guering D12/345
- D671,565 S * 11/2012 Kinoshita D15/28
- D675,555 S * 2/2013 Ouellette D12/345
- D734,335 S * 7/2015 Jensen D14/415
- 2008/0011905 A1 * 1/2008 Guering B64C 13/04
244/228
- 2008/0272243 A1 * 11/2008 Decker B64C 13/04
244/221
- 2009/0200116 A1 * 8/2009 Wiggins B66F 9/20
187/224
- 2013/0256463 A1 * 10/2013 Antraygue B64C 13/04
244/234

* cited by examiner

Primary Examiner — Robert M Spear
Assistant Examiner — Marissa J Cash

(74) *Attorney, Agent, or Firm* — Ingrassia, Fisher & Lorenz PC

(57) **CLAIM**

The ornamental design for an aircraft side stick controller, as shown and described.

DESCRIPTION

The patent or application file contains a least one drawing executed in color. Copies of this patent or patent application publication with color drawing(s) will be provided by the Office upon request and payment of the necessary fee.

FIG. 1 is a front perspective view of an aircraft side stick controller showing our new design;

FIG. 2 is a front view thereof;

FIG. 3 is a back view thereof;

FIG. 4 is a first side view thereof;

FIG. 5 is a second side view thereof;

FIG. 6 is a top view thereof; and,

FIG. 7 is a front perspective view thereof in an aircraft cockpit.

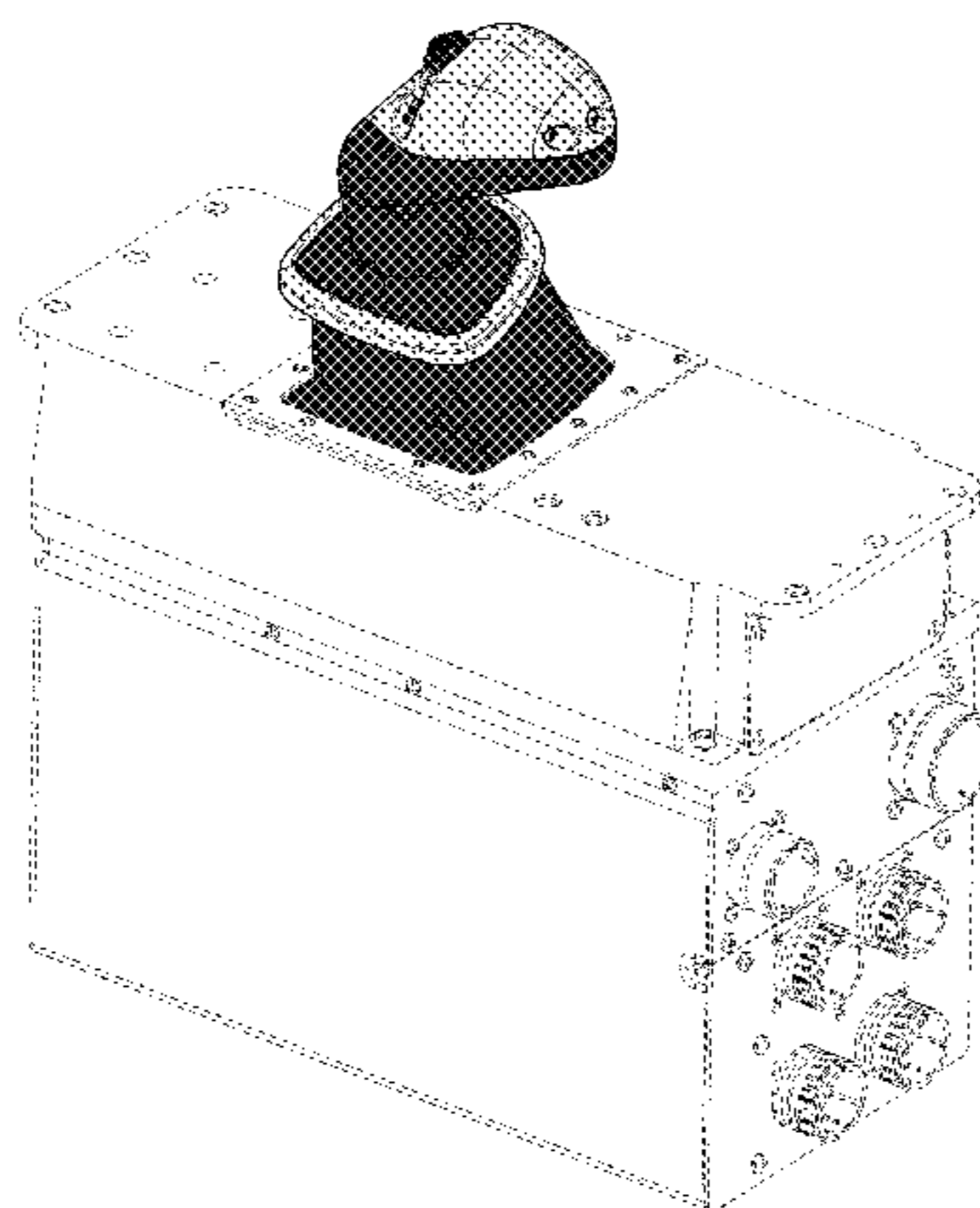
The broken lines illustrate structure and environment that form no part of the claimed design.

1 Claim, 7 Drawing Sheets
(7 of 7 Drawing Sheet(s) Filed in Color)

(56) **References Cited**

U.S. PATENT DOCUMENTS

- D481,658 S * 11/2003 Ryan D12/179
- D491,120 S * 6/2004 Watanabe D12/179
- D492,629 S * 7/2004 Hartono D12/179
- D503,365 S * 3/2005 Klassen D12/179
- D506,422 S * 6/2005 Crookes D12/179
- D531,942 S * 11/2006 Chanteloup D12/179
- D537,393 S * 2/2007 Chanteloup D12/179
- D554,567 S * 11/2007 Landestoy D12/179
- D559,749 S * 1/2008 Barbieri D12/179
- D571,268 S * 6/2008 Hoffman D12/179
- D581,328 S * 11/2008 Kluck D12/179



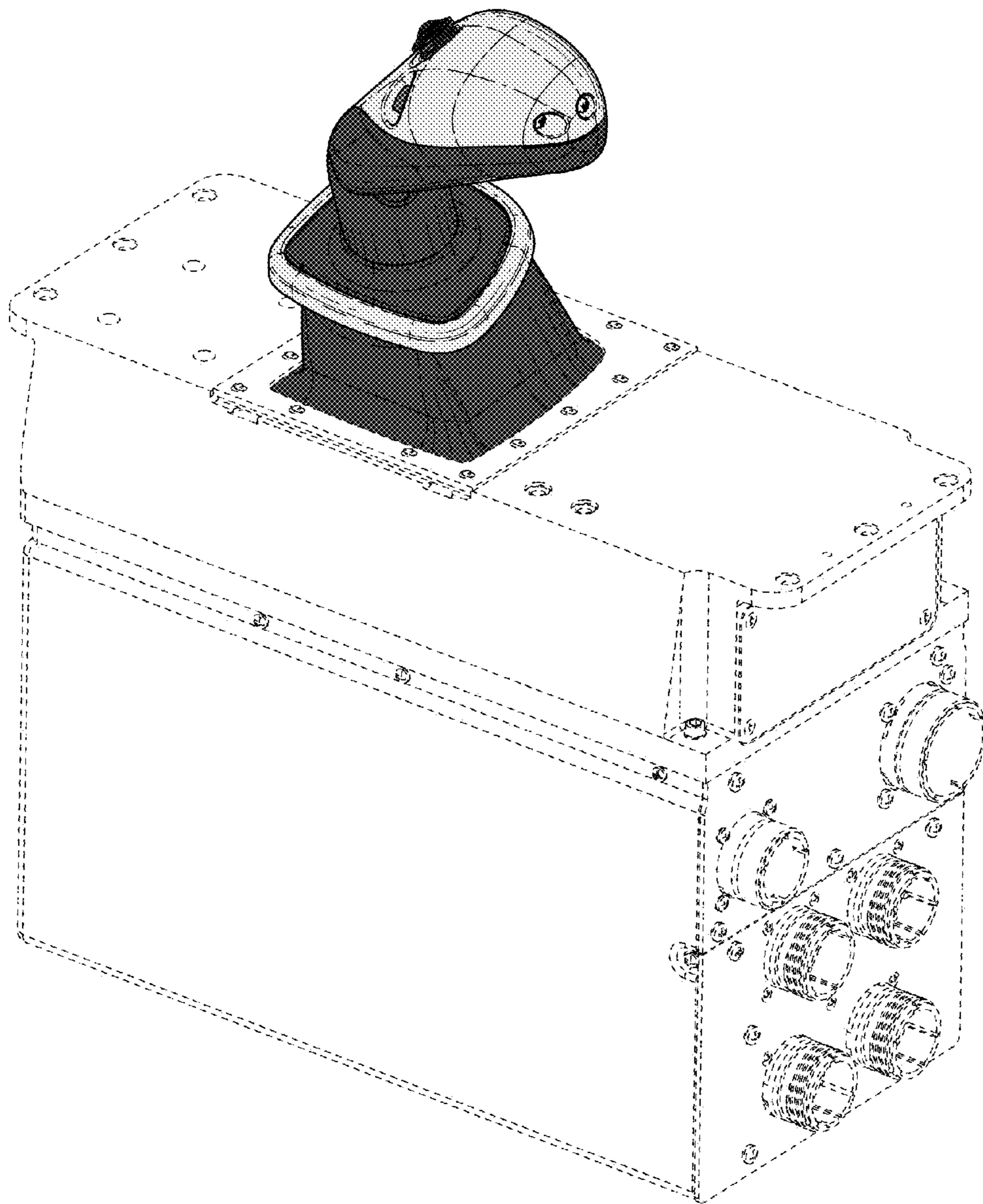


FIG. 1

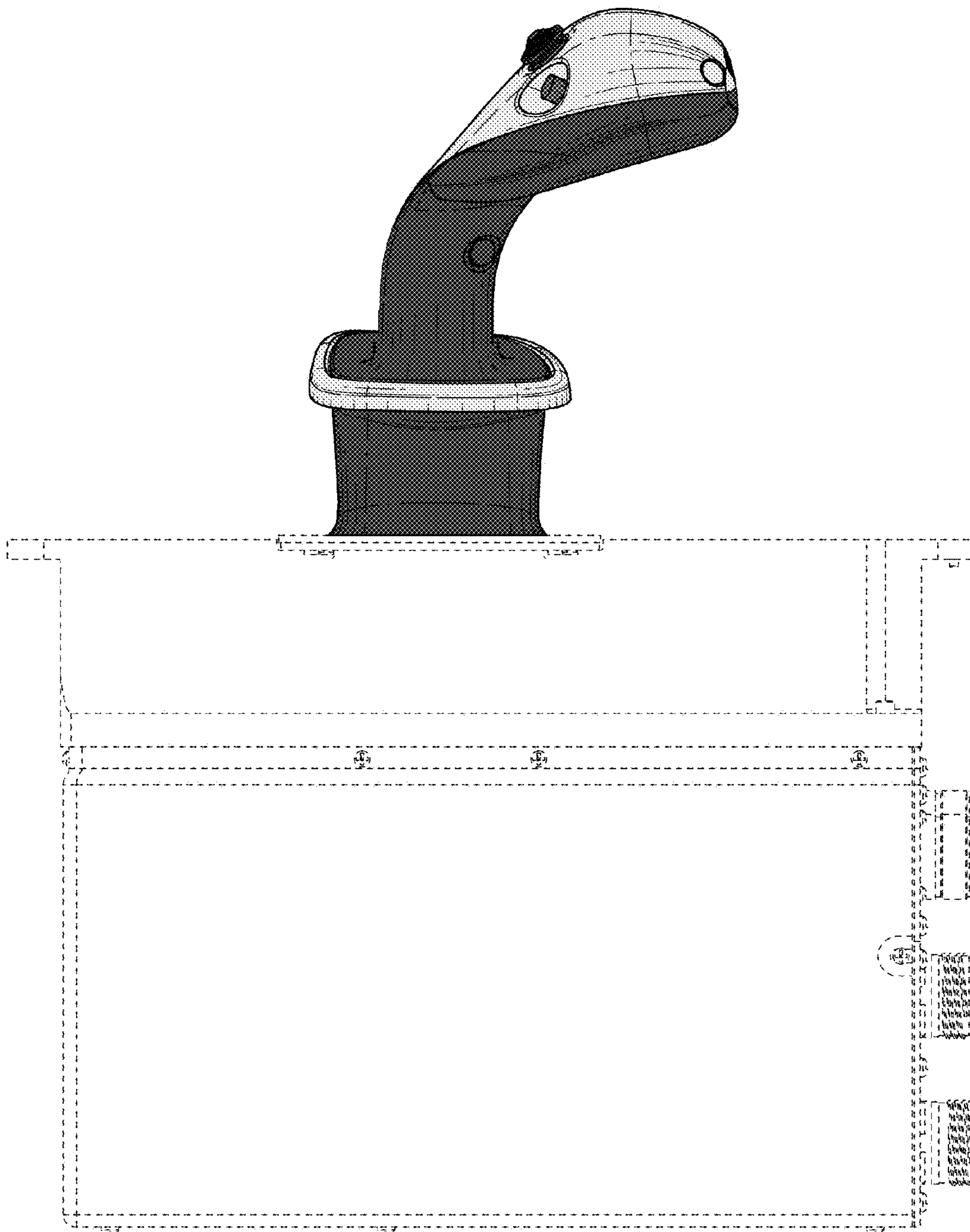


FIG. 2

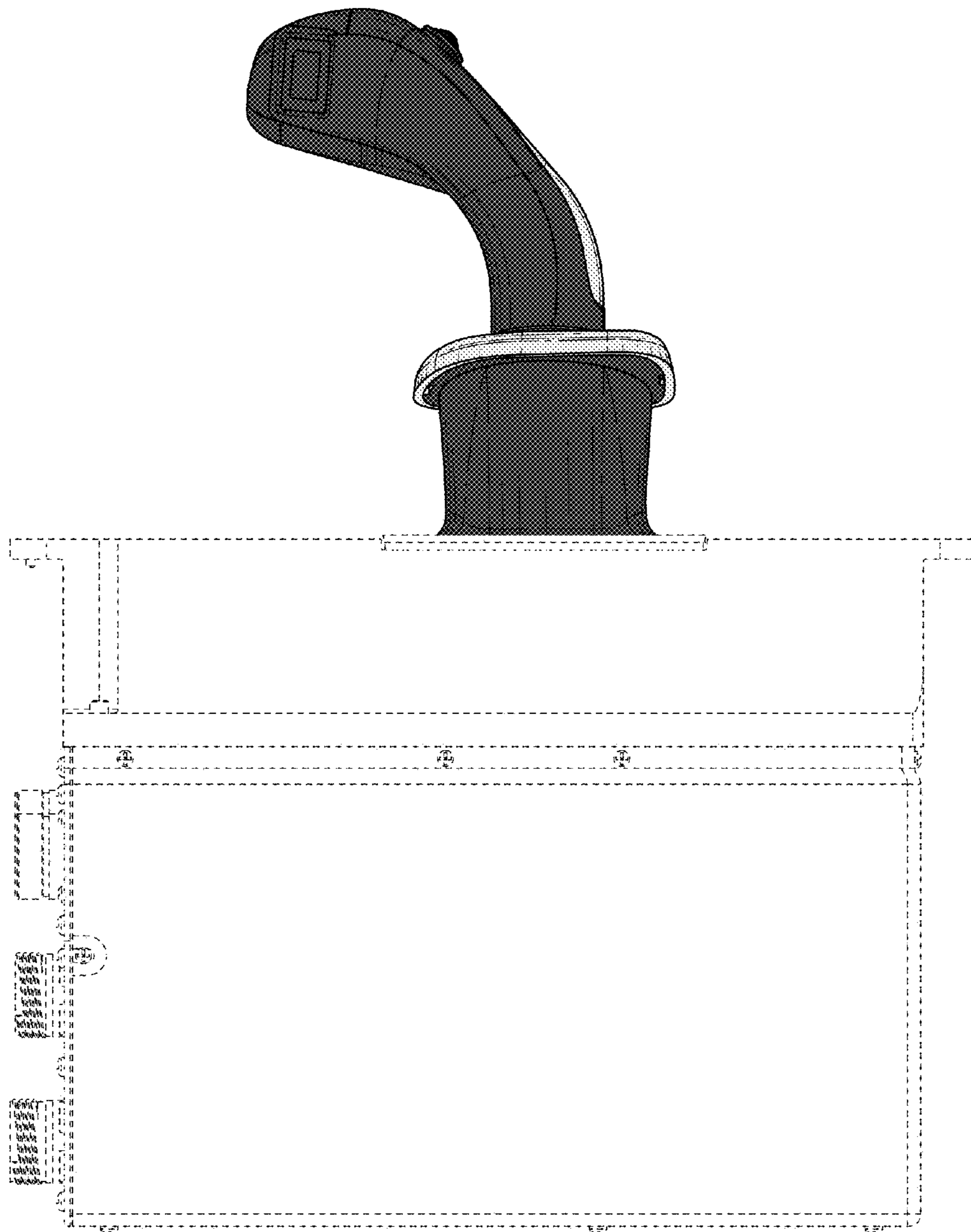


FIG. 3

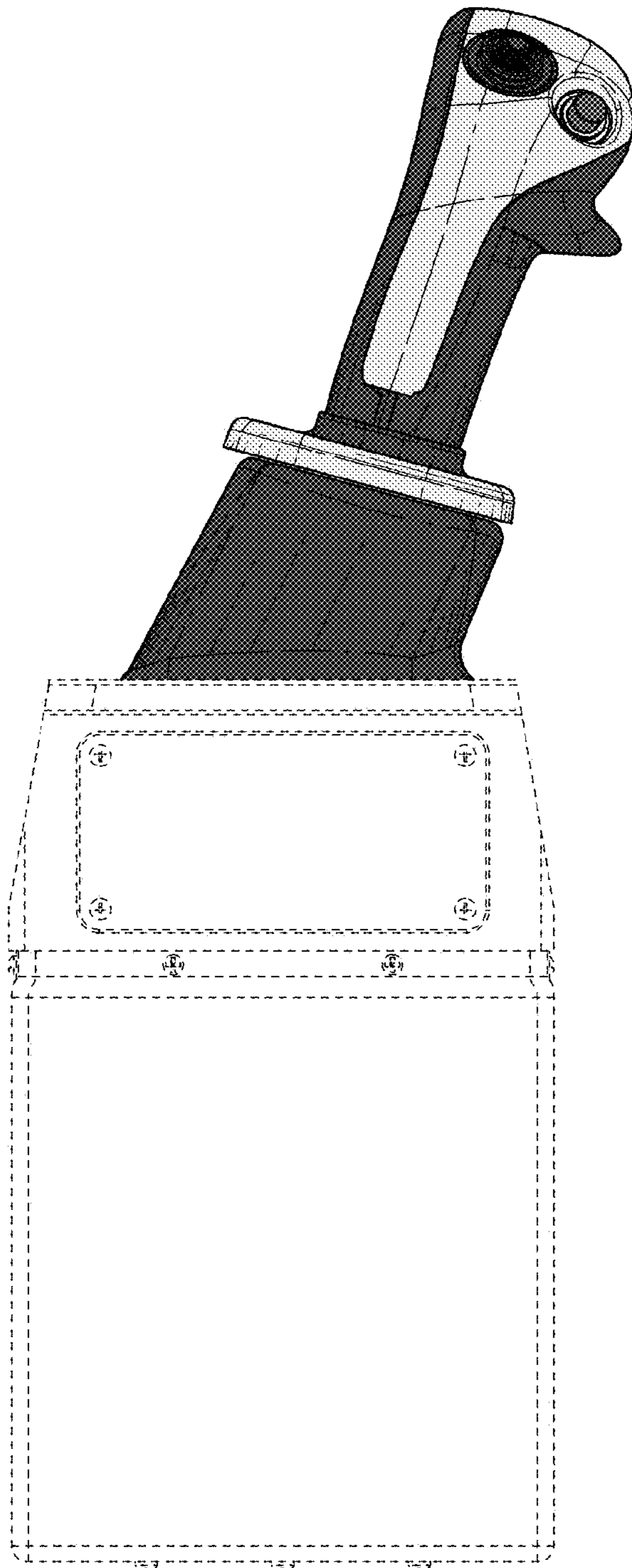


FIG. 4

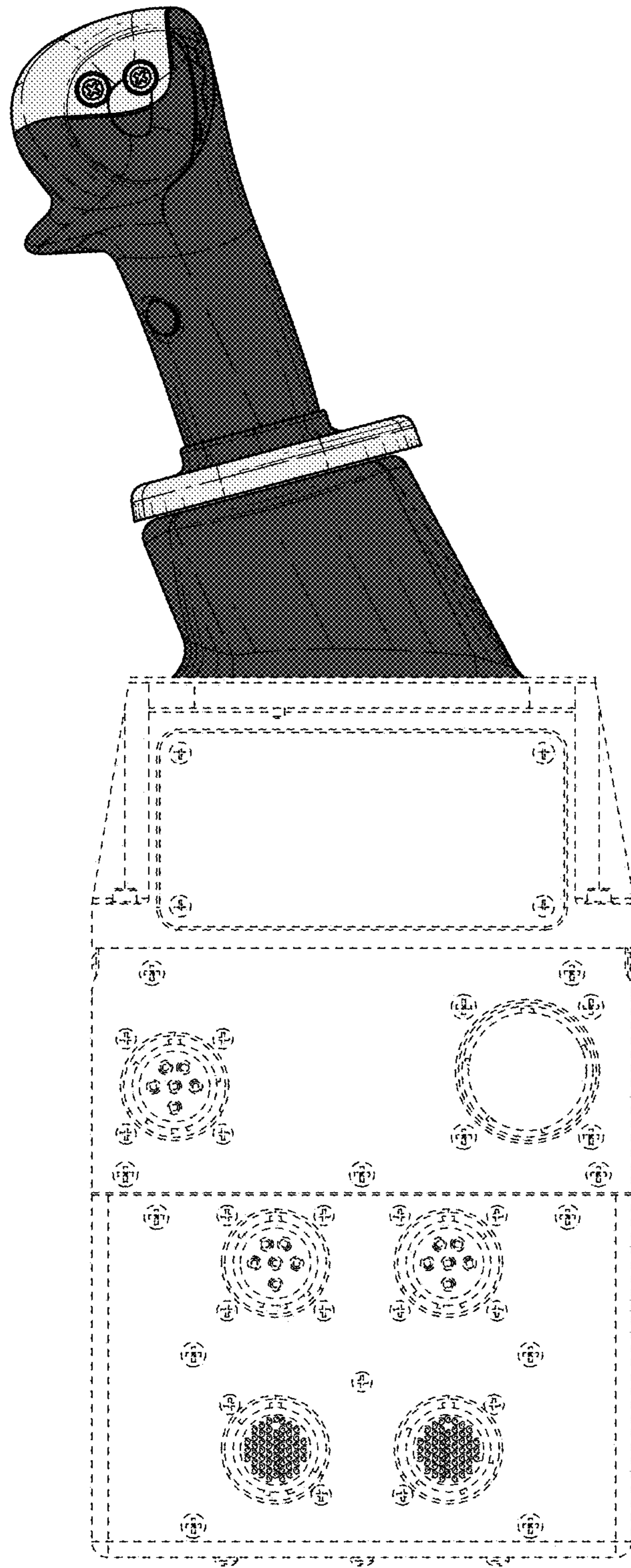


FIG. 5

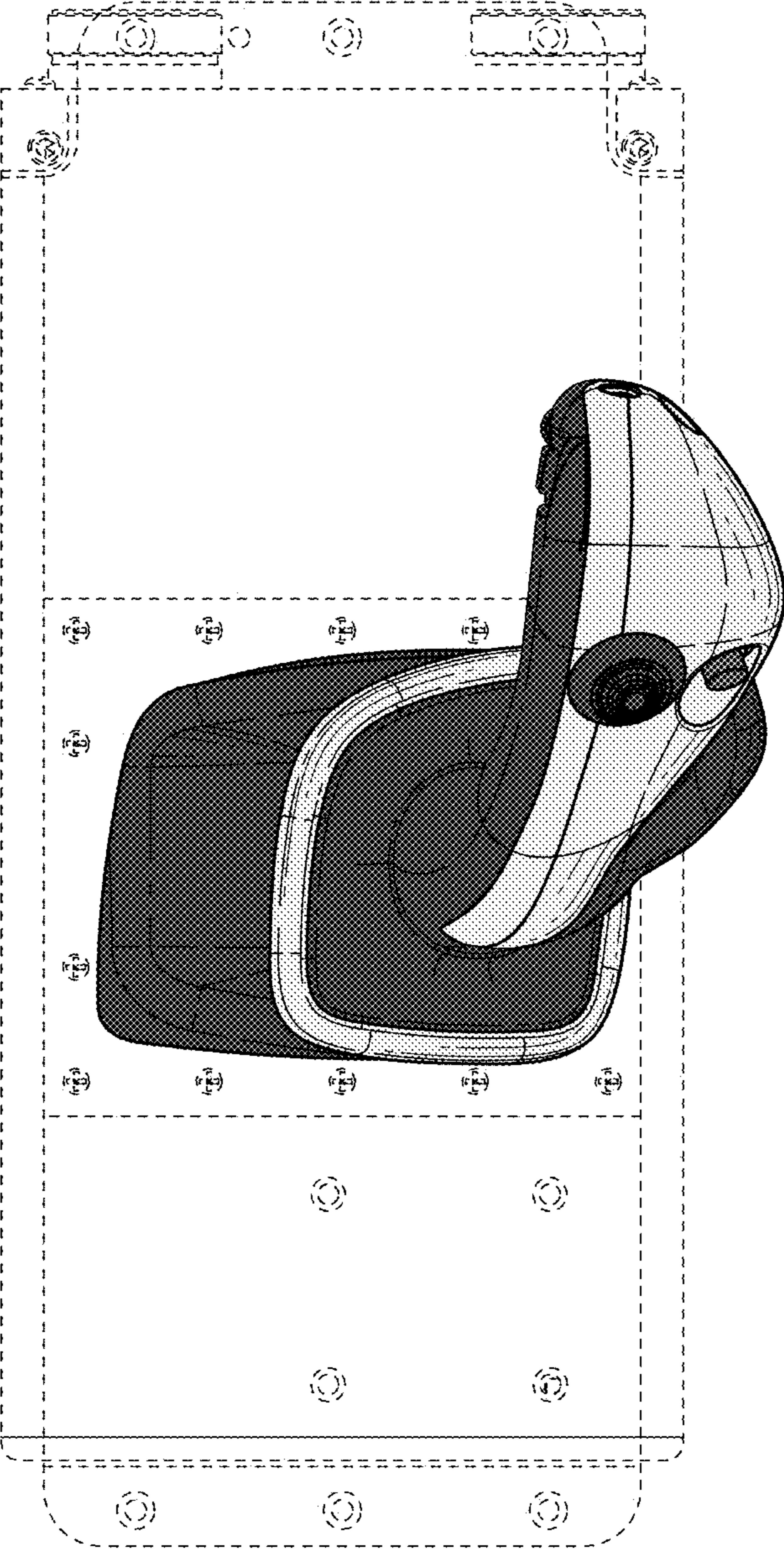


FIG. 6

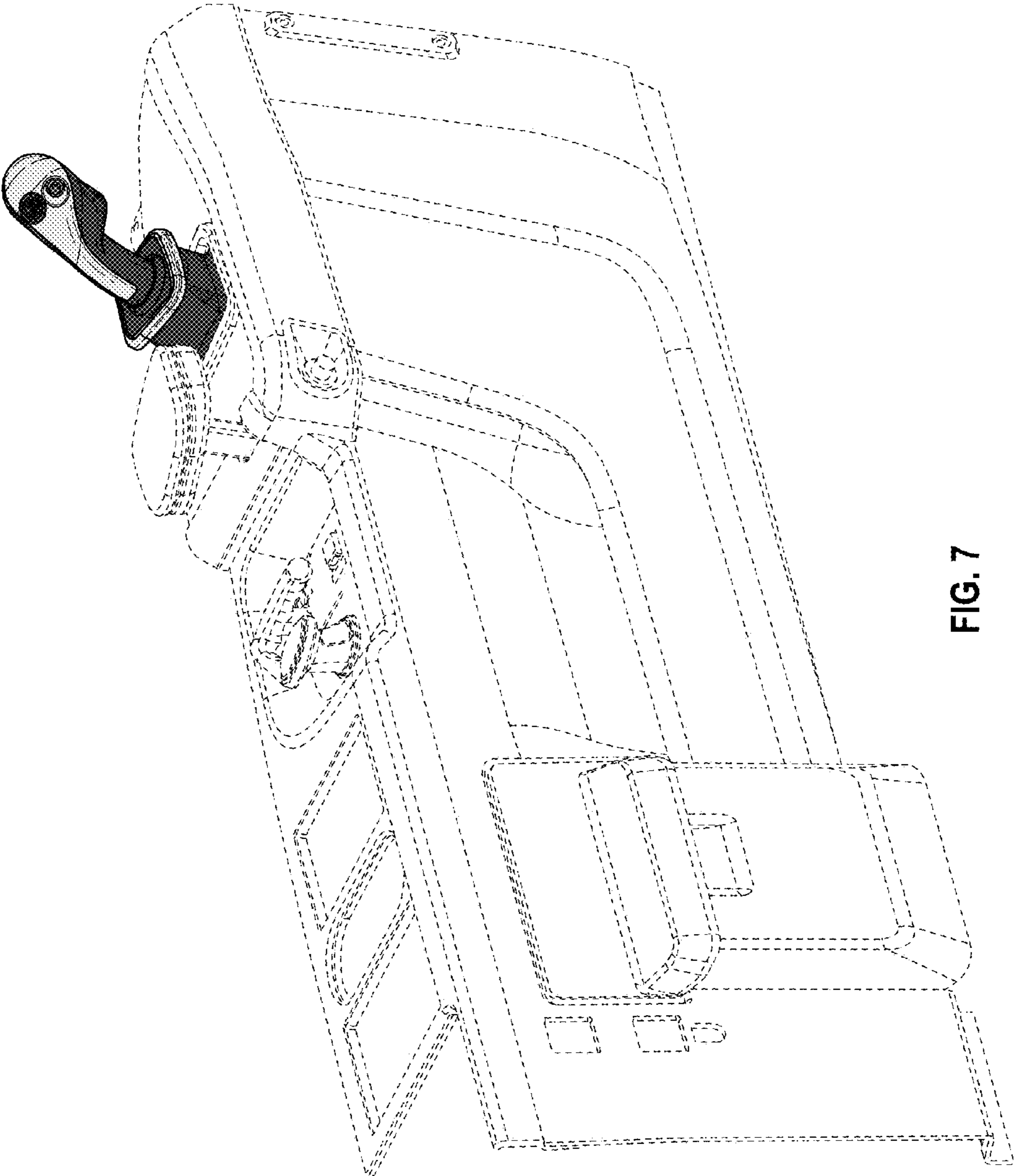


FIG. 7