

US00D760144S

(12) **United States Design Patent**
Zhao

(10) **Patent No.:** **US D760,144 S**
(45) **Date of Patent:** **** Jun. 28, 2016**

- (54) **AUTOMOBILE WHEEL**
- (71) Applicant: **John Zhao**, Monterey Park, CA (US)
- (72) Inventor: **John Zhao**, Monterey Park, CA (US)
- (73) Assignee: **Wah Hung Group Inc.**, Monterey Park, CA (US)
- (**) Term: **14 Years**
- (21) Appl. No.: **29/504,715**
- (22) Filed: **Oct. 8, 2014**
- (51) **LOC (10) Cl.** **12-16**
- (52) **U.S. Cl.**
USPC **D12/211**
- (58) **Field of Classification Search**
USPC D12/204–213; 301/37.101, 64.101, 65
See application file for complete search history.

| | | | | |
|--------------|---------|---------|-------|---------|
| D604,684 S * | 11/2009 | Spoerle | | D12/211 |
| D682,183 S * | 5/2013 | Zhao | | D12/211 |
| D697,014 S * | 1/2014 | Stolz | | D12/211 |
| D706,693 S * | 6/2014 | Stolz | | D12/209 |
| D723,996 S * | 3/2015 | Zhao | | D12/211 |
| D726,090 S * | 4/2015 | Hilpert | | D12/211 |

* cited by examiner

Primary Examiner — Ian Simmons

Assistant Examiner — Samantha Q Lawrence

(74) *Attorney, Agent, or Firm* — Adli Law Group P.C.

(57) **CLAIM**

I claim the ornamental design for an automobile wheel, as shown and described.

DESCRIPTION

FIG. 1 is a perspective view of an automobile wheel according to the claimed design; and, FIG. 2 is a front elevational view of the automobile wheel according to the claimed design.

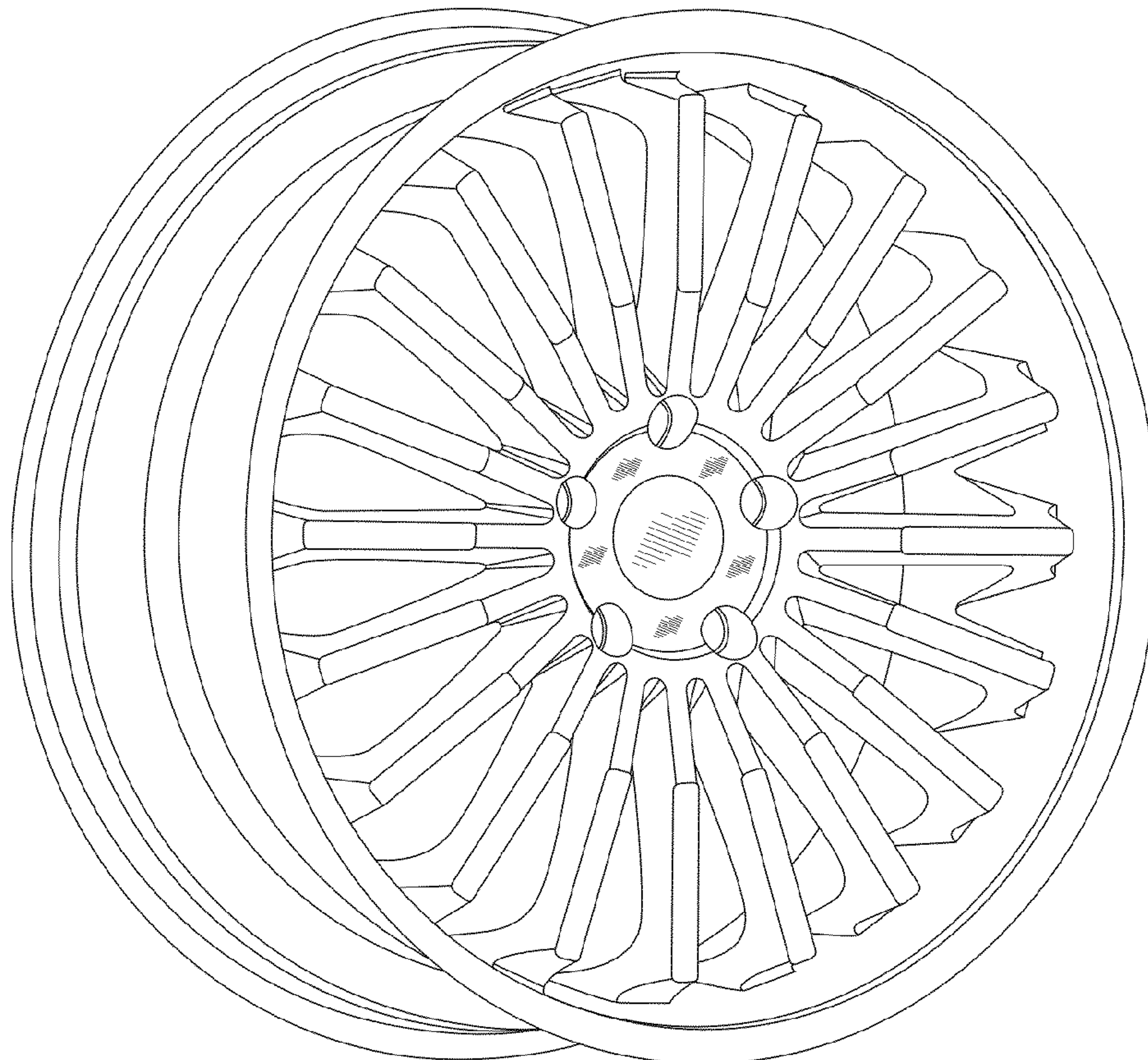
The ornamental design which is claimed is shown in solid lines in the drawings. The broken lines shown in FIG. 1 illustrate portions of the automobile wheel that form no part of the claimed design.

1 Claim, 2 Drawing Sheets

(56) **References Cited**

U.S. PATENT DOCUMENTS

| | | | | |
|--------------|---------|----------|-------|---------|
| D463,769 S * | 10/2002 | Chung | | D12/211 |
| D530,255 S * | 10/2006 | Pfeiffer | | D12/211 |
| D532,357 S * | 11/2006 | Pfeiffer | | D12/211 |
| D552,024 S * | 10/2007 | Pfeiffer | | D12/211 |



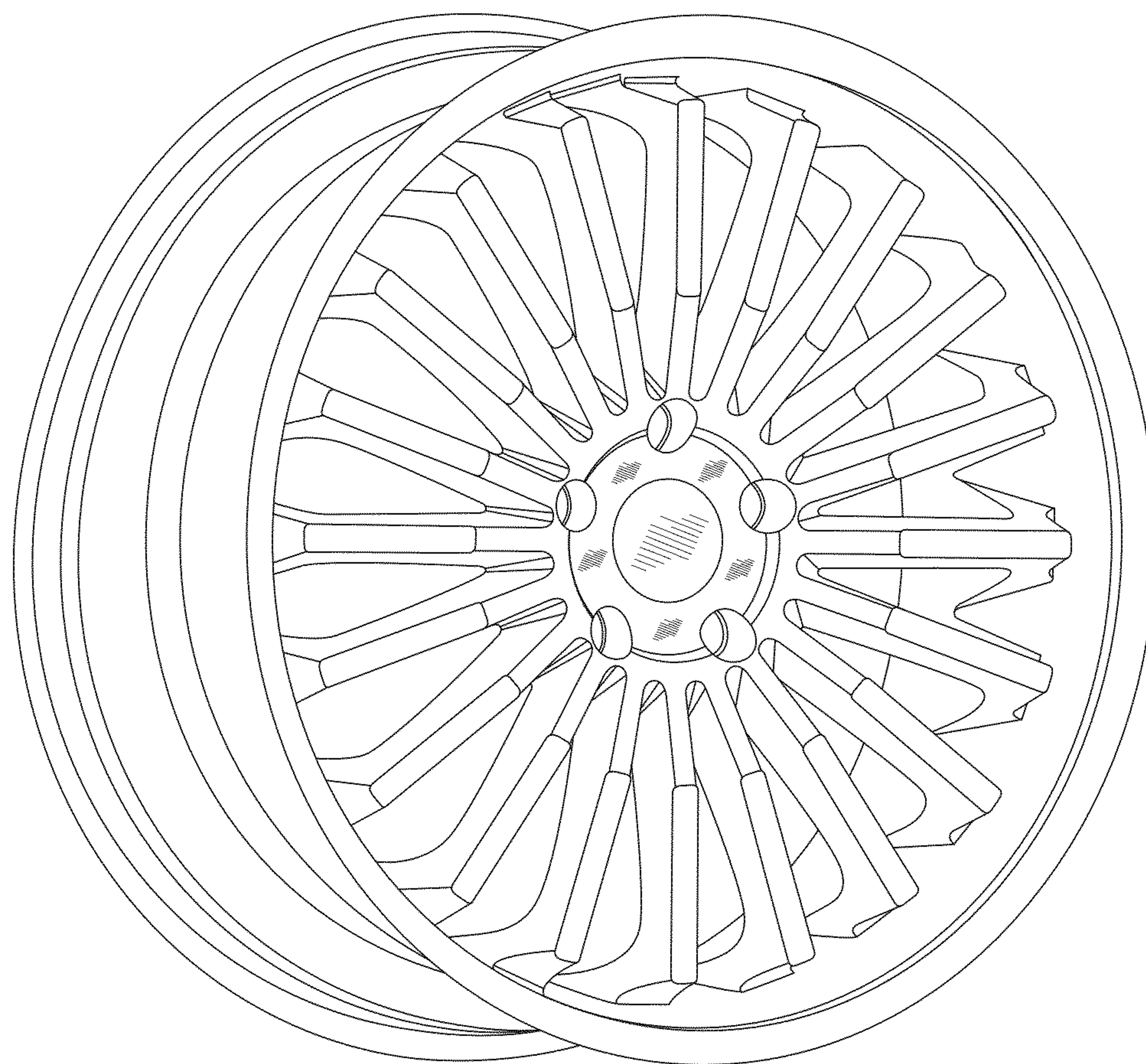


FIG. 1

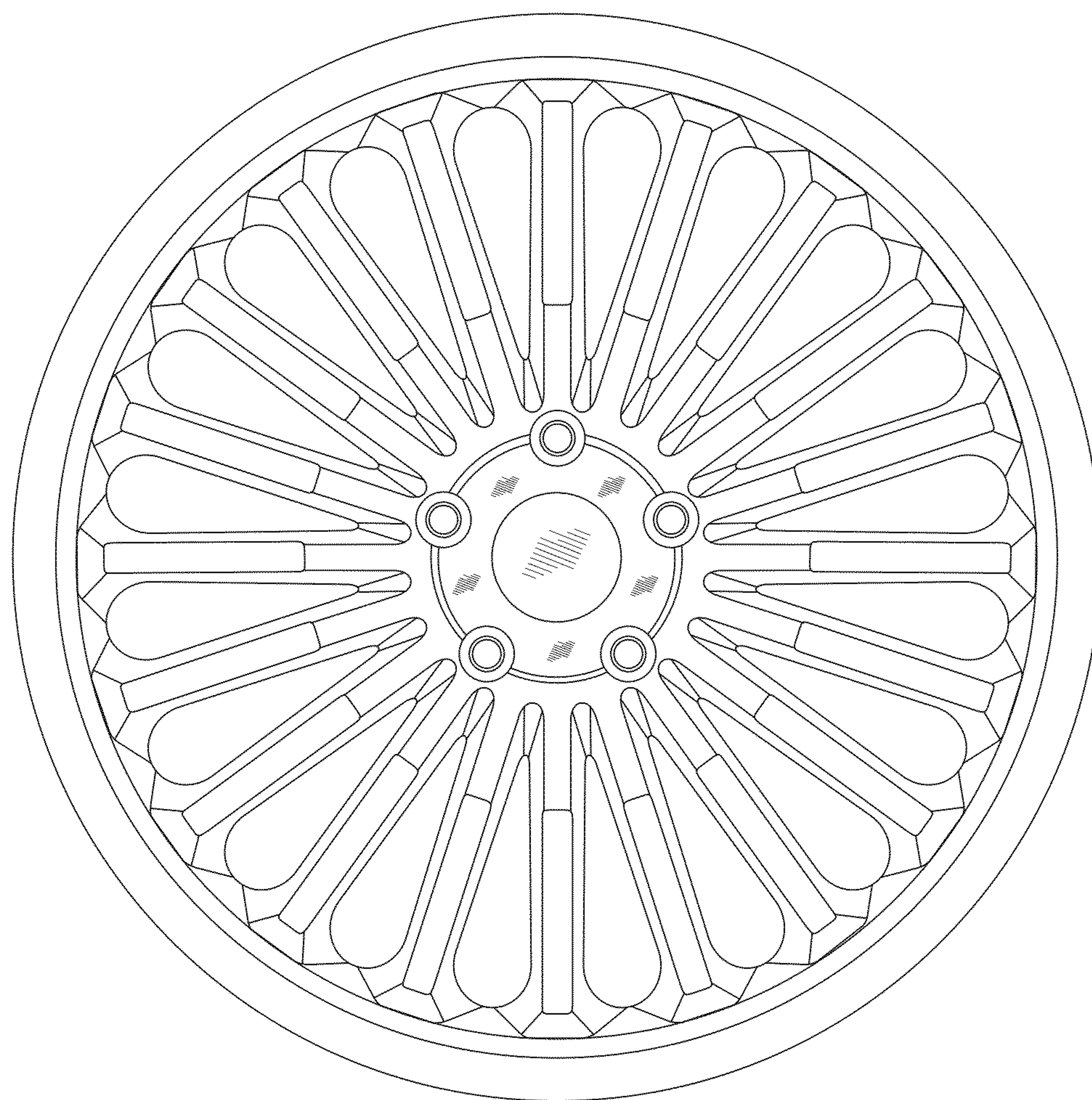


FIG. 2