



US00D760143S

(12) **United States Design Patent**
Gallert

(10) **Patent No.:** **US D760,143 S**
(45) **Date of Patent:** **** Jun. 28, 2016**

- (54) **WHEEL FOR MOTOR VEHICLE**
- (71) Applicant: **Dr. Ing. h.c.F. Porsche**
Aktiengesellschaft, Stuttgart (DE)
- (72) Inventor: **Michael Gallert, Stuttgart (DE)**
- (73) Assignee: **Dr. Ing h.c. F. Porsche**
Aktiengesellschaft, Stuttgart (DE)
- (**) Term: **14 Years**
- (21) Appl. No.: **29/498,555**
- (22) Filed: **Aug. 5, 2014**
- (30) **Foreign Application Priority Data**

Feb. 11, 2014 (DE) 40 2014 100 129

- (51) **LOC (10) Cl.** **12-16**
- (52) **U.S. Cl.**
USPC **D12/211**
- (58) **Field of Classification Search**
USPC D12/204–213
CPC B60B 7/00; B60B 7/02; B60B 7/04;
B60B 7/01; B60B 7/06; B60B 3/02; B60B
3/04; B60B 3/06; B60B 3/10; B60B 1/00;
B60B 1/08; B60B 1/10; B60B 1/12
See application file for complete search history.

(56) **References Cited**

U.S. PATENT DOCUMENTS

- D402,251 S * 12/1998 Timm D12/211
- D492,235 S * 6/2004 Nordmann D12/211
- D542,728 S * 5/2007 Ichinose D12/211
- D558,118 S * 12/2007 Hueller D12/211
- D581,853 S * 12/2008 Rak D12/211
- D584,211 S * 1/2009 Farny D12/211
- D589,428 S * 3/2009 Scheu D12/211

- D594,801 S * 6/2009 Imai D12/211
- D597,919 S * 8/2009 Atwell D12/211
- D598,834 S * 8/2009 Juergens D12/209
- D606,921 S * 12/2009 Thorsten D12/211
- D644,977 S * 9/2011 Juergens D12/211
- D649,102 S * 11/2011 Gallert D12/211
- D659,068 S * 5/2012 Johnson D12/211
- D663,668 S * 7/2012 Pollmann D12/209
- D673,104 S * 12/2012 Lemke D12/211
- D682,764 S * 5/2013 Amezketa D12/211
- D684,912 S 6/2013 Yamashita
- D689,421 S * 9/2013 Wachter D12/211
- D697,008 S * 1/2014 Juergens D12/209
- D705,151 S 5/2014 Scheinhüte
- D710,780 S * 8/2014 Borkert D12/211
- D721,028 S * 1/2015 Lemke D12/211
- D726,626 S * 4/2015 Mays D12/211
- D729,721 S * 5/2015 Fahr-Becker D12/211
- D731,389 S * 6/2015 Gotschke D12/211

(Continued)

OTHER PUBLICATIONS

Design U.S. Appl. No. 29/410,931, by Borkert, filed Jan. 13, 2012.

(Continued)

Primary Examiner — Stacia Cadmus

(74) *Attorney, Agent, or Firm* — RatnerPrestia

(57) **CLAIM**

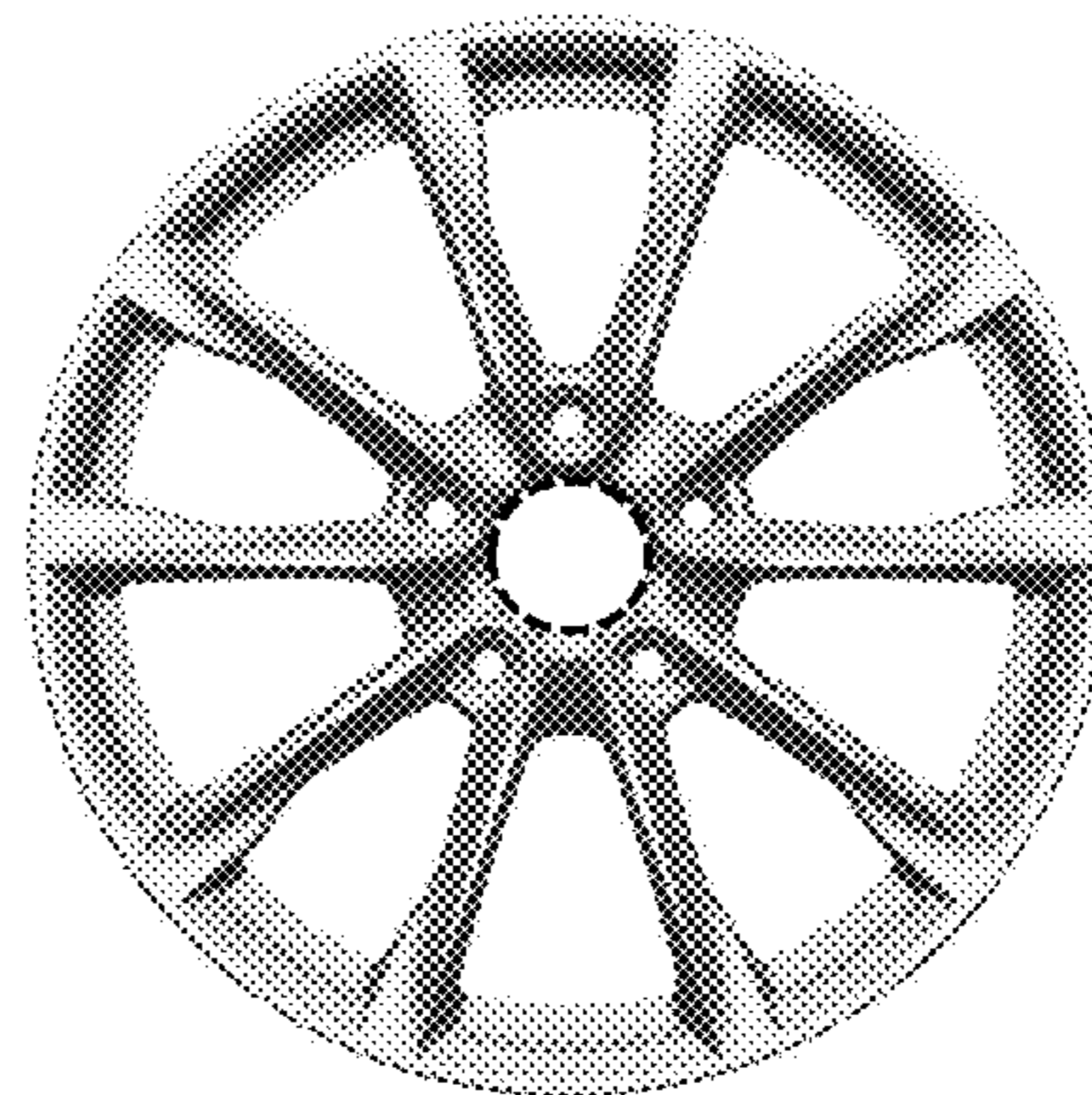
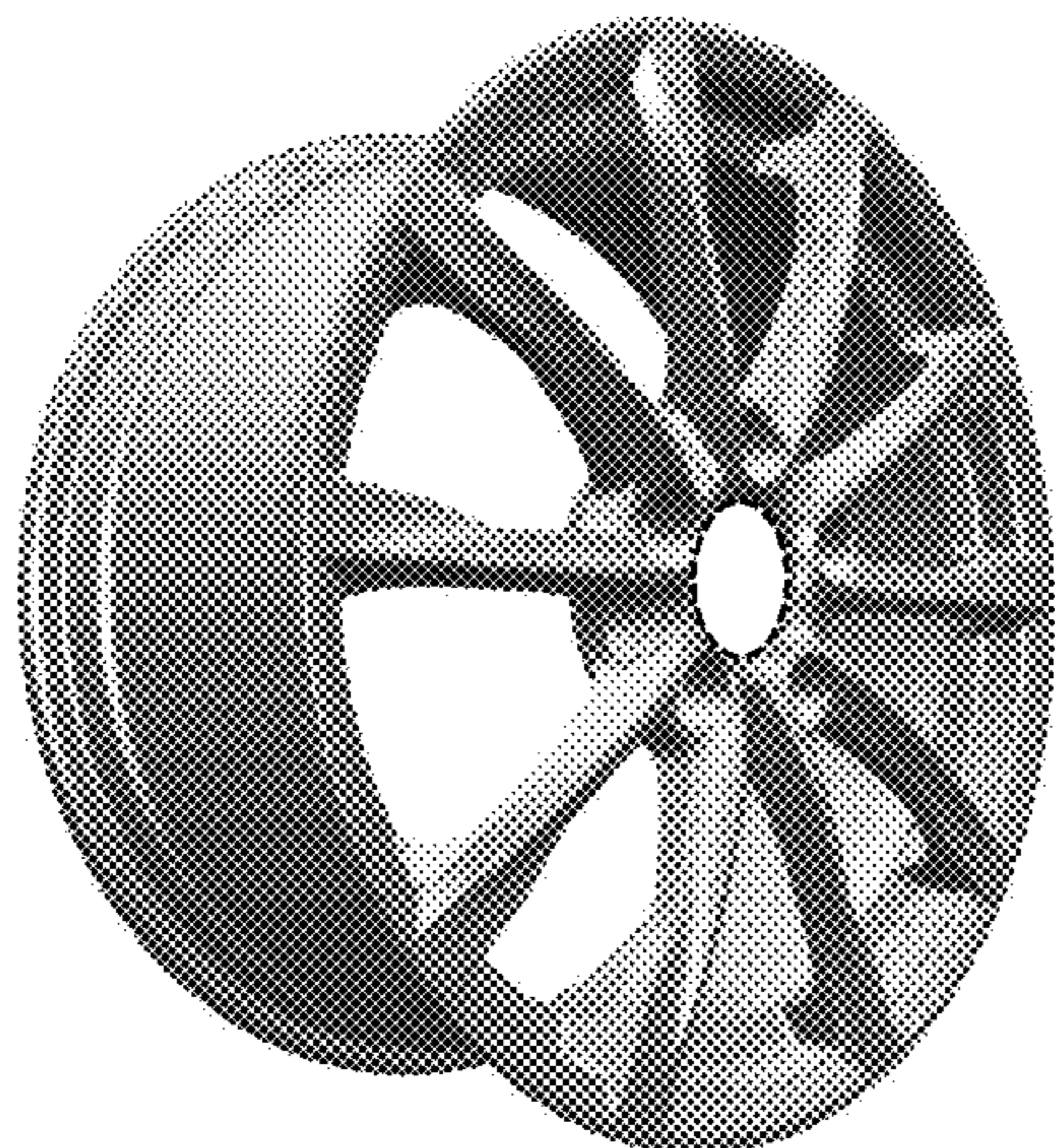
The ornamental design for a wheel for a motor vehicle, as shown and described.

DESCRIPTION

FIG. 1 is a perspective view of a wheel for a motor vehicle; FIG. 2 is a side elevation view of the wheel; and, FIG. 3 is a front elevation view of the wheel.

The broken line showing of the center hole in the central hub area is included for the purpose of illustrating environment and forms no part of the claimed design.

1 Claim, 2 Drawing Sheets



(56)

References Cited

U.S. PATENT DOCUMENTS

D731,390 S * 6/2015 Kobayashi D12/211
D737,190 S * 8/2015 Kern D12/211
D744,402 S * 12/2015 Watkin D12/211
D744,403 S * 12/2015 Mielke D12/211
D746,756 S * 1/2016 George D12/211
D748,034 S * 1/2016 Hall D12/211
D748,558 S * 2/2016 Hans D12/211

D753,571 S * 4/2016 Juergens D12/211
D753,574 S * 4/2016 Mielke D12/211

OTHER PUBLICATIONS

Design U.S. Appl. No. 29/464,666, by Scheinhütte, filed Aug. 20,
2013.
Design U.S. Appl. No. 29/493,962, by Robinson, filed Jun. 16, 2014.

* cited by examiner



Figure 1



Figure 2

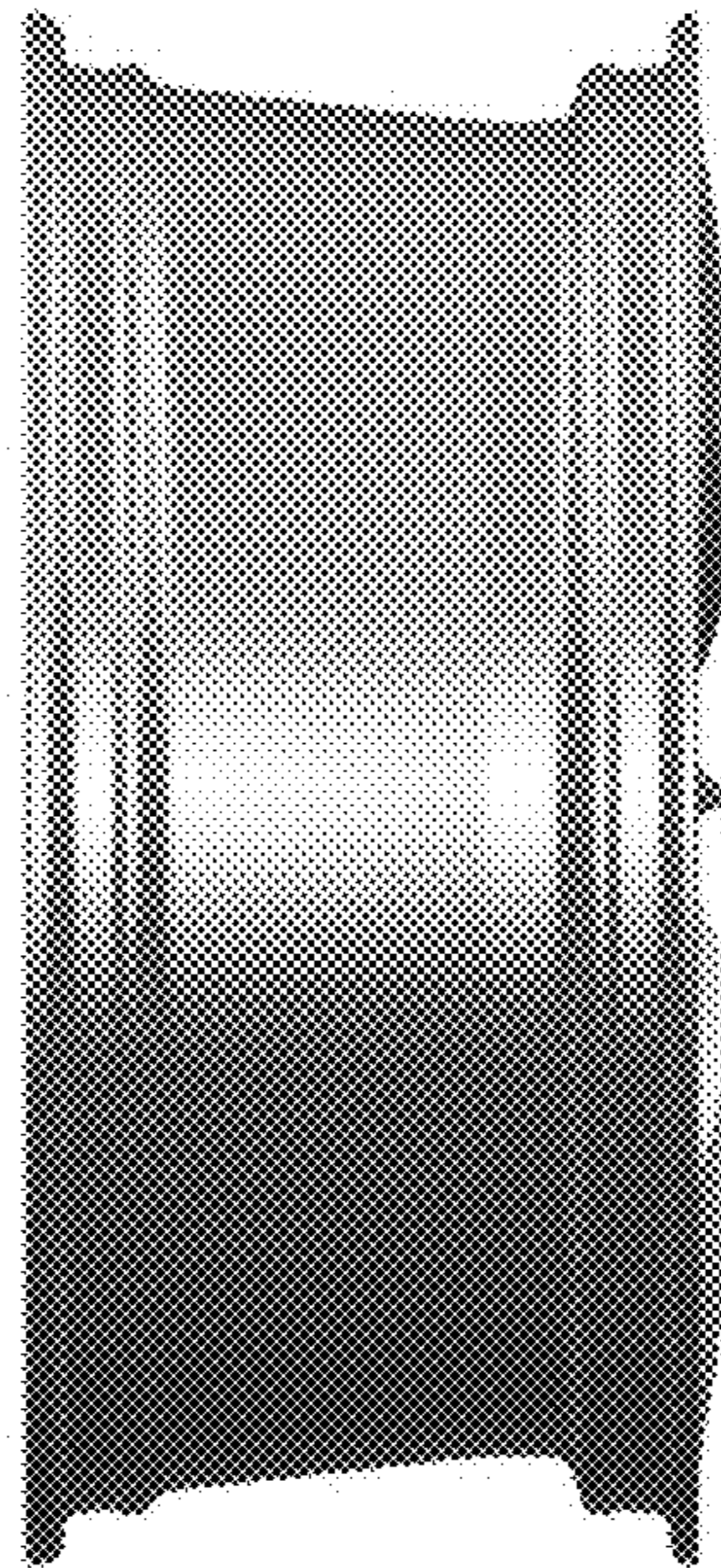


Figure 3