



US00D760142S

(12) **United States Design Patent**
Chu et al.

(10) **Patent No.:** **US D760,142 S**
(45) **Date of Patent:** **** Jun. 28, 2016**

(54) **WHEEL OR WHEEL COVER**

(71) Applicant: **Daimler AG**, Stuttgart (DE)

(72) Inventors: **Edgar Chu**, Stuttgart (DE); **Bernhard Hans**, Kirchberg (DE)

(73) Assignee: **Daimler AG**, Stuttgart (DE)

(**) Term: **14 Years**

(21) Appl. No.: **29/491,700**

(22) Filed: **May 23, 2014**

(30) **Foreign Application Priority Data**

Nov. 25, 2013 (EM) 002351247-0010

(51) **LOC (10) Cl.** **12-16**

(52) **U.S. Cl.**
USPC **D12/211**

(58) **Field of Classification Search**
USPC D12/204–213
CPC B60B 7/00; B60B 7/02; B60B 7/04;
B60B 7/01; B60B 7/06; B60B 3/02; B60B
3/04; B60B 3/06; B60B 3/10; B60B 1/00;
B60B 1/08; B60B 1/10; B60B 1/12
See application file for complete search history.

(56) **References Cited**

U.S. PATENT DOCUMENTS

D395,270 S * 6/1998 Baumgartner D12/211
D398,898 S * 9/1998 Baumgartner D12/211

D405,409 S * 2/1999 Baumgartner D12/211
D406,092 S * 2/1999 Baumgartner D12/211
D454,327 S * 3/2002 Bux D12/211
D527,332 S * 8/2006 Khan D12/211
D532,355 S * 11/2006 Baumgartner D12/211
D541,202 S * 4/2007 Baumgartner D12/211
D553,069 S * 10/2007 Ettensberger D12/211
D595,632 S * 7/2009 Hernandez D12/211
D622,196 S * 8/2010 Gallert D12/209
D622,199 S * 8/2010 Gallert D12/211
D636,320 S * 4/2011 Lamm D12/211
D660,769 S * 5/2012 Pollmann D12/211
D662,025 S * 6/2012 Ettensberger D12/209
D726,087 S * 4/2015 Breyton D12/211
D727,827 S * 4/2015 Chung D12/211
D735,630 S * 8/2015 Swanseger D12/209

* cited by examiner

Primary Examiner — Stacia Cadmus

(74) *Attorney, Agent, or Firm* — Crowell & Moring LLP

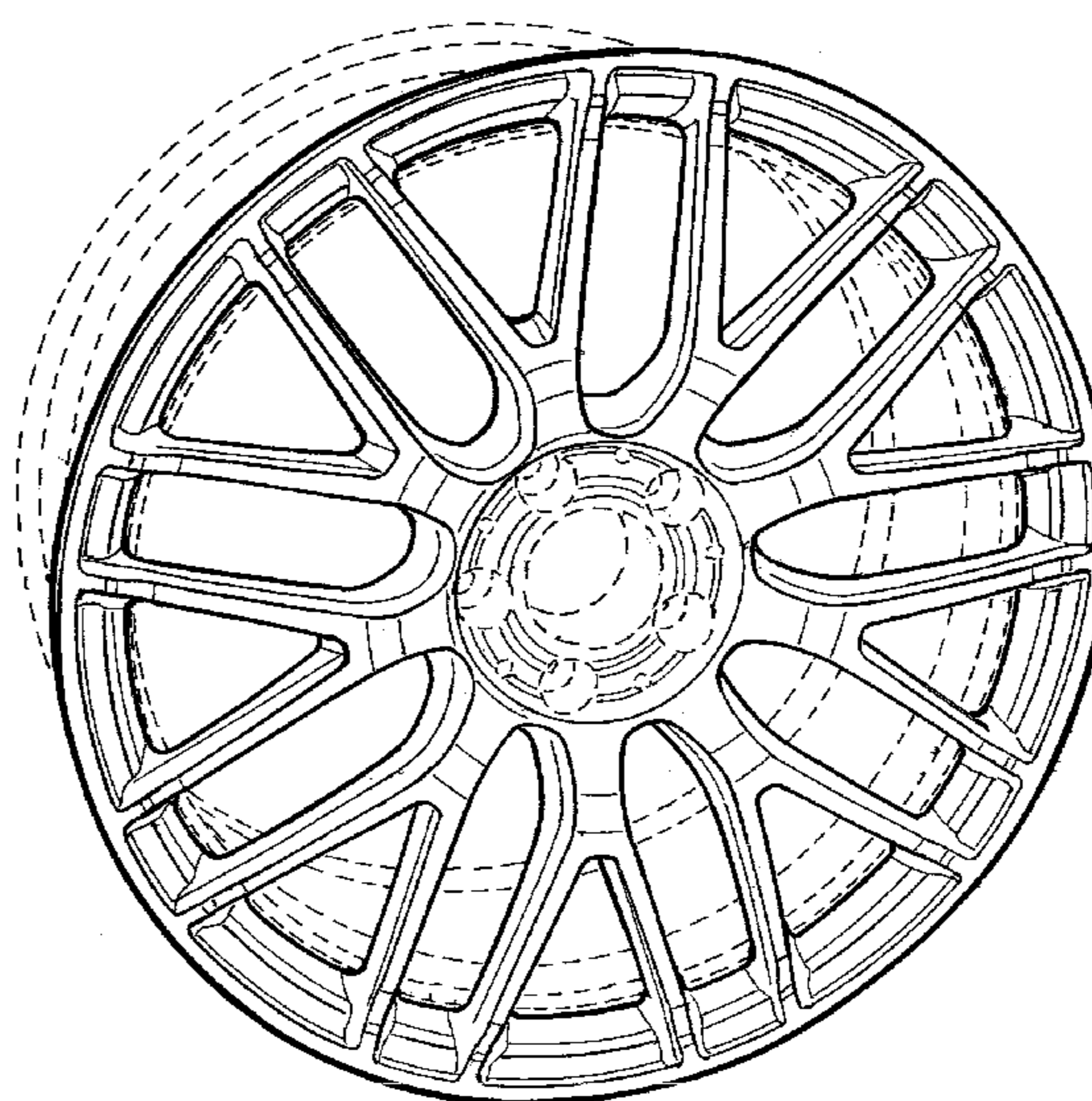
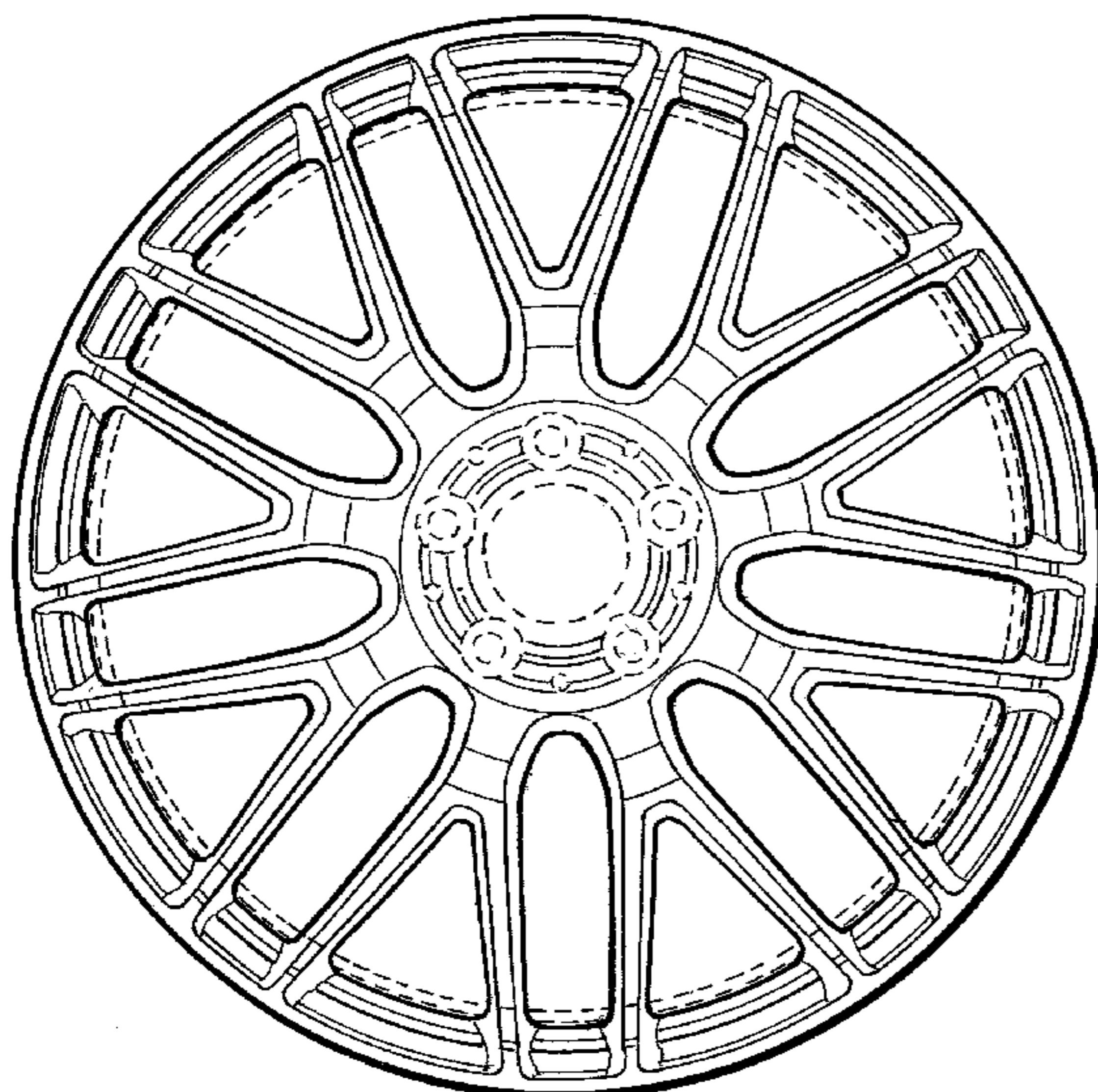
(57) **CLAIM**

The ornamental design for a wheel or wheel cover, as shown and described.

DESCRIPTION

FIG. 1 is a front view of a wheel or wheel cover according to the design; and,
FIG. 2 is a perspective view thereof.
The broken lines are for illustrative purposes only and form no part of the claimed design.

1 Claim, 1 Drawing Sheet



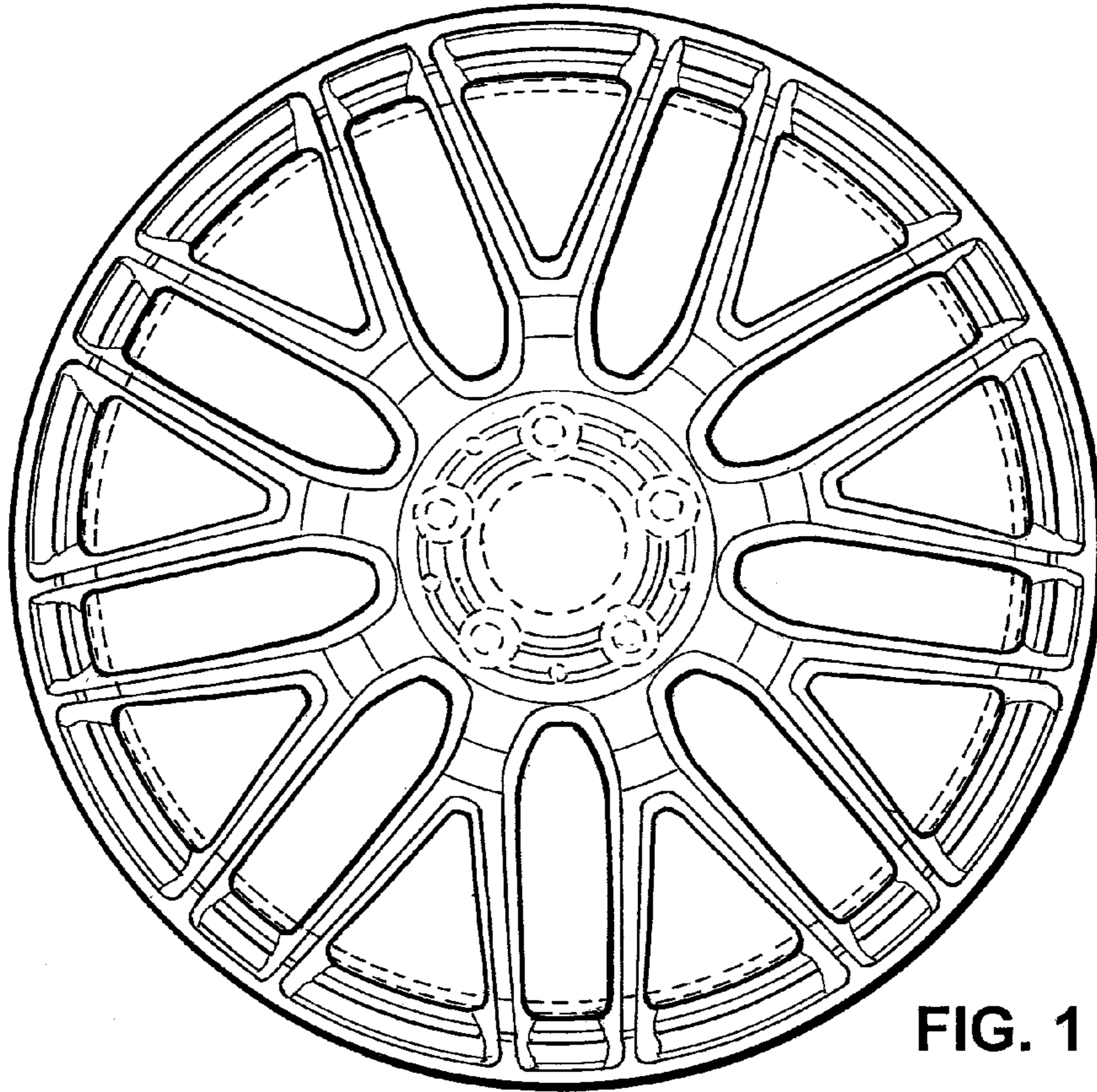


FIG. 1

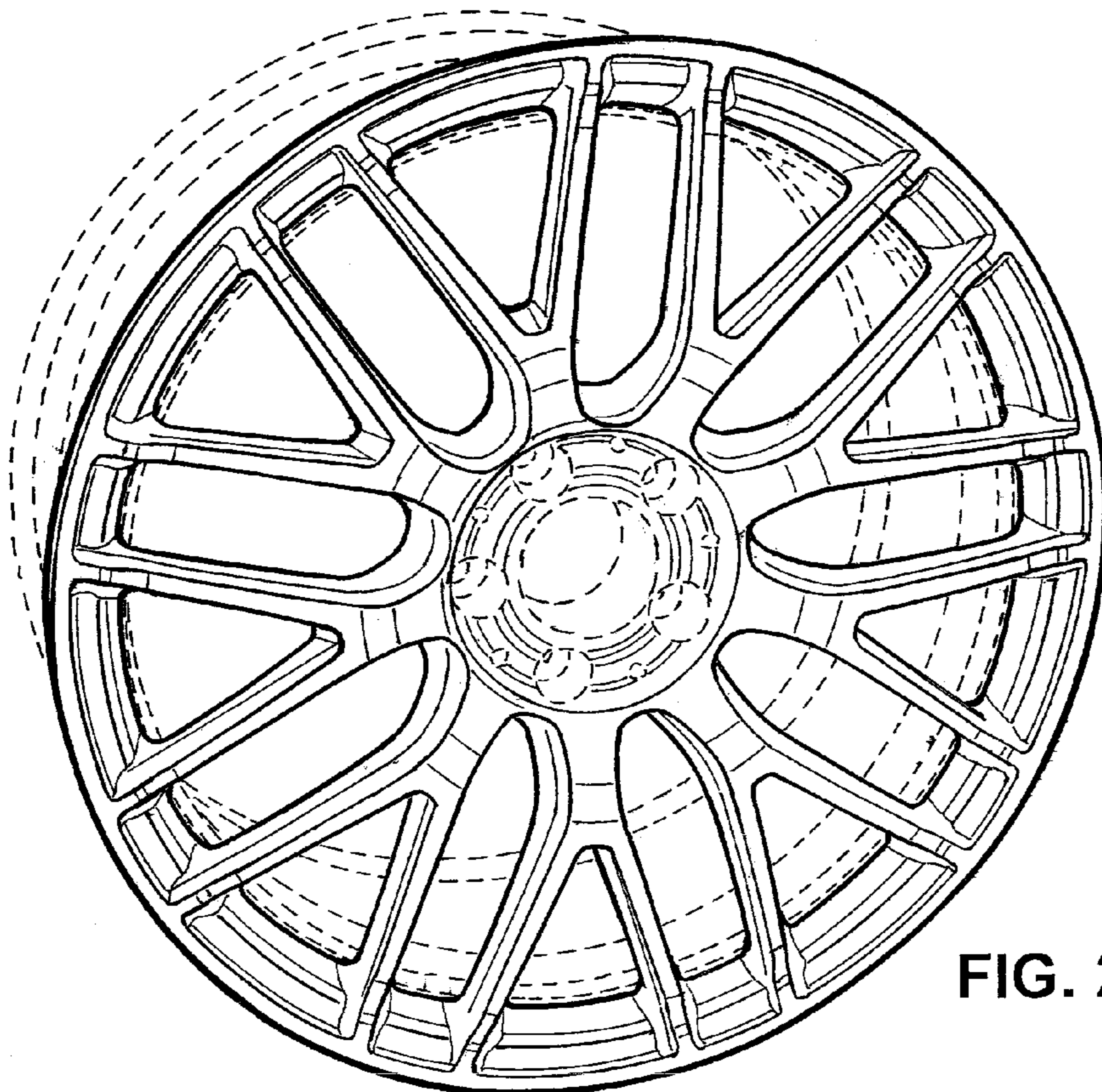


FIG. 2