

US00D760141S

(12) **United States Design Patent**
Chung

(10) **Patent No.:** **US D760,141 S**
(45) **Date of Patent:** **** Jun. 28, 2016**

(54) **AUTOMOTIVE WHEEL**

(71) Applicant: **Suny Chung**, Anaheim, CA (US)

(72) Inventor: **Suny Chung**, Anaheim, CA (US)

(**) Term: **15 Years**

(21) Appl. No.: **29/541,145**

(22) Filed: **Sep. 30, 2015**

(51) **LOC (10) Cl.** **12-16**

(52) **U.S. Cl.**
USPC **D12/209**

(58) **Field of Classification Search**
USPC D12/204-213
CPC B60B 7/00; B60B 7/02; B60B 7/04;
B60B 7/01; B60B 7/06; B60B 3/02; B60B
3/04; B60B 3/06; B60B 3/10; B60B 1/00;
B60B 1/08; B60B 1/10; B60B 1/12
See application file for complete search history.

(56) **References Cited**

U.S. PATENT DOCUMENTS

D457,117 S * 5/2002 McMath D12/209
D475,337 S * 6/2003 Kataoka D12/209

D477,264 S * 7/2003 Marji D12/209
D500,721 S * 1/2005 Kataoka D12/209
D505,650 S * 5/2005 Tirado D12/209
D531,560 S * 11/2006 Looho D12/209
D583,739 S * 12/2008 Gallert D12/209
D630,564 S * 1/2011 Baum D12/209
D658,108 S * 4/2012 Fetherston D12/211
D671,472 S * 11/2012 Pollmann D12/209
D686,128 S * 7/2013 Baum D12/209
D689,810 S * 9/2013 Mindt D12/209
D697,009 S * 1/2014 Pollmann D12/209
D703,125 S * 4/2014 Tanghe D12/209
D710,779 S * 8/2014 Zhang D12/209
D739,328 S * 9/2015 Buck D12/209

* cited by examiner

Primary Examiner — Stacia Cadmus

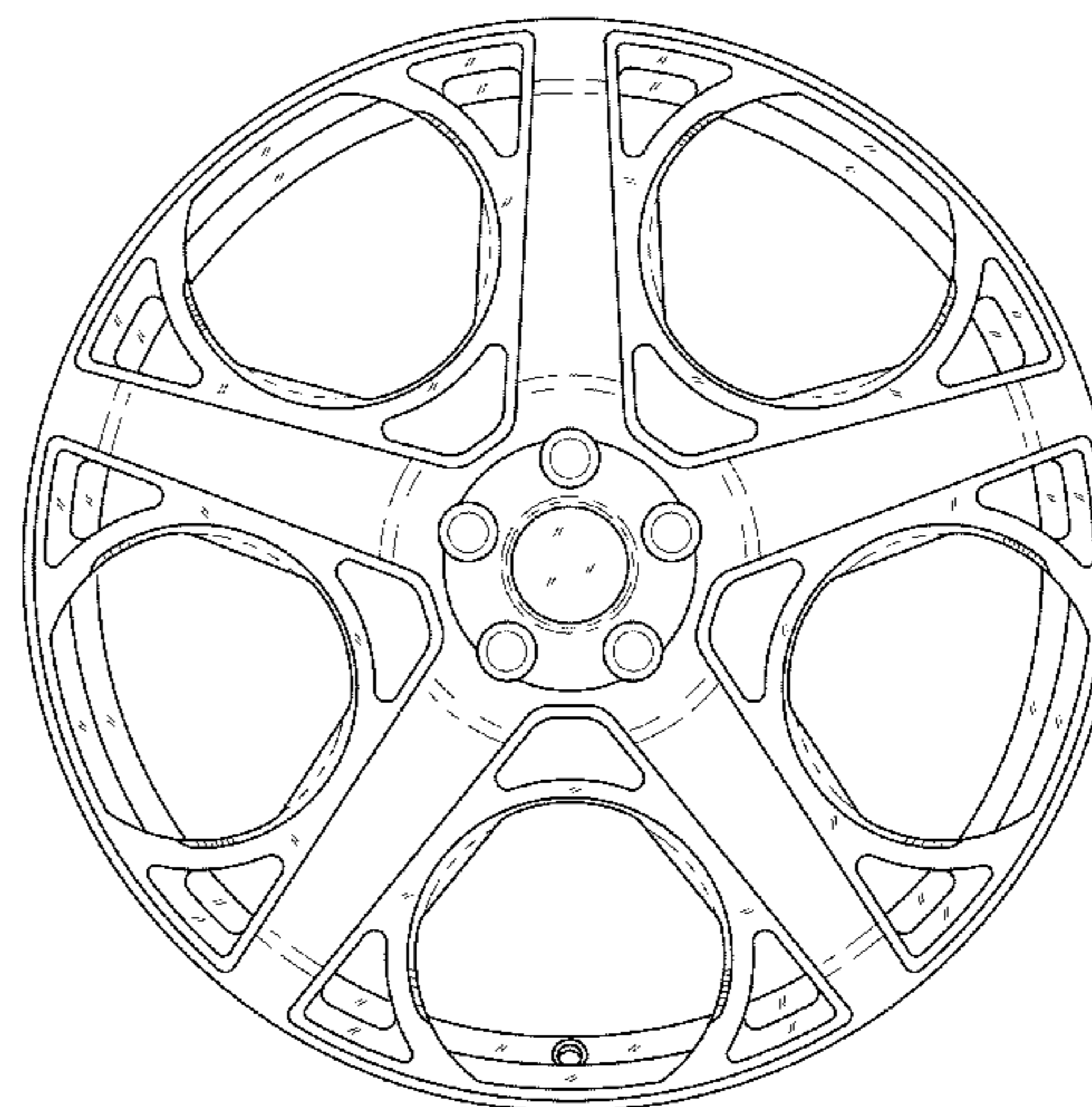
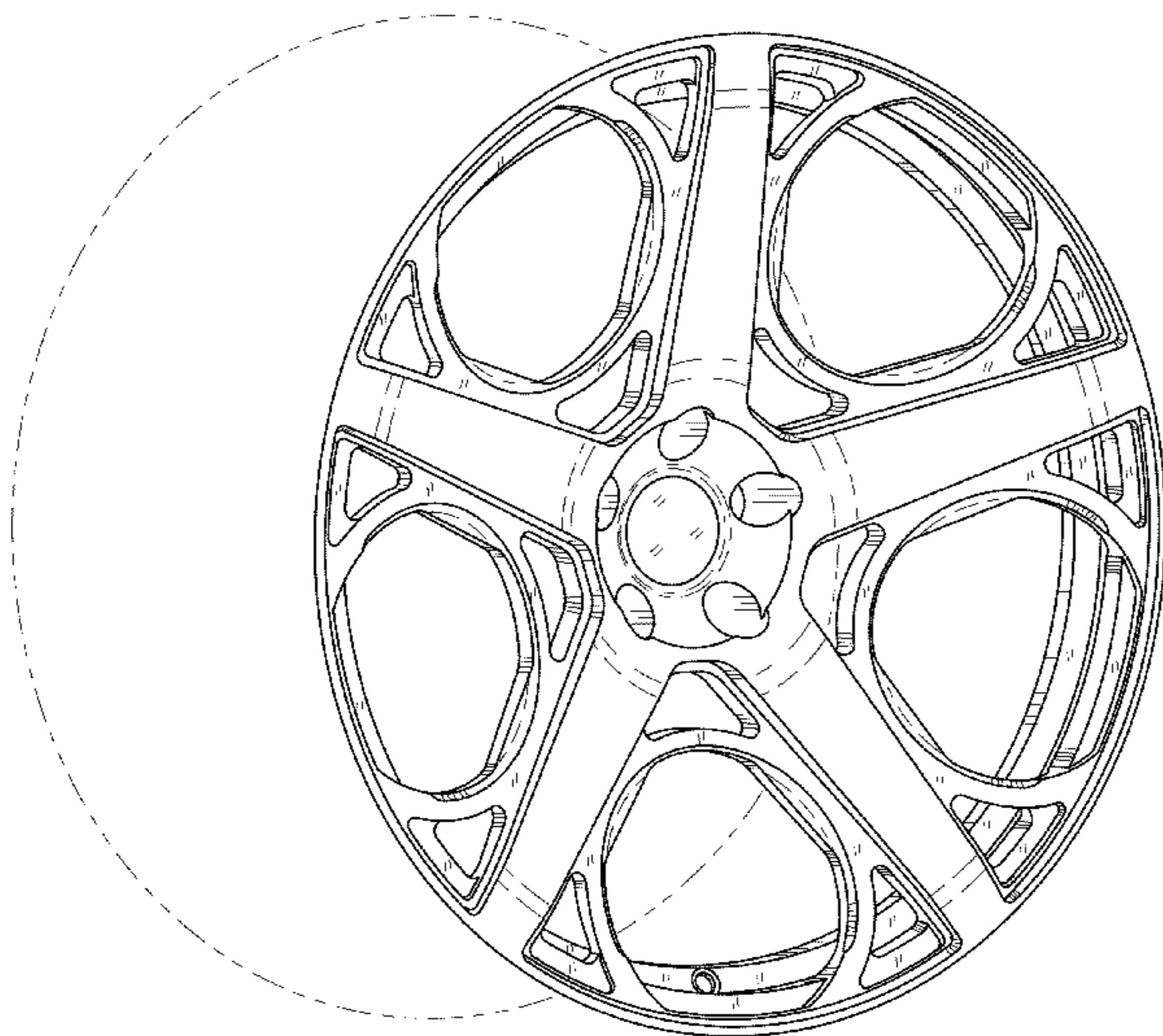
(57) **CLAIM**

The ornamental design for an automotive wheel, as shown and described.

DESCRIPTION

FIG. 1 is a perspective view of an automotive wheel, showing my new design; and, FIG. 2 is a front view thereof. The broken line showing of the rear portion of the wheel is included for the purpose of illustrating environment and forms no part of the claimed design.

1 Claim, 2 Drawing Sheets



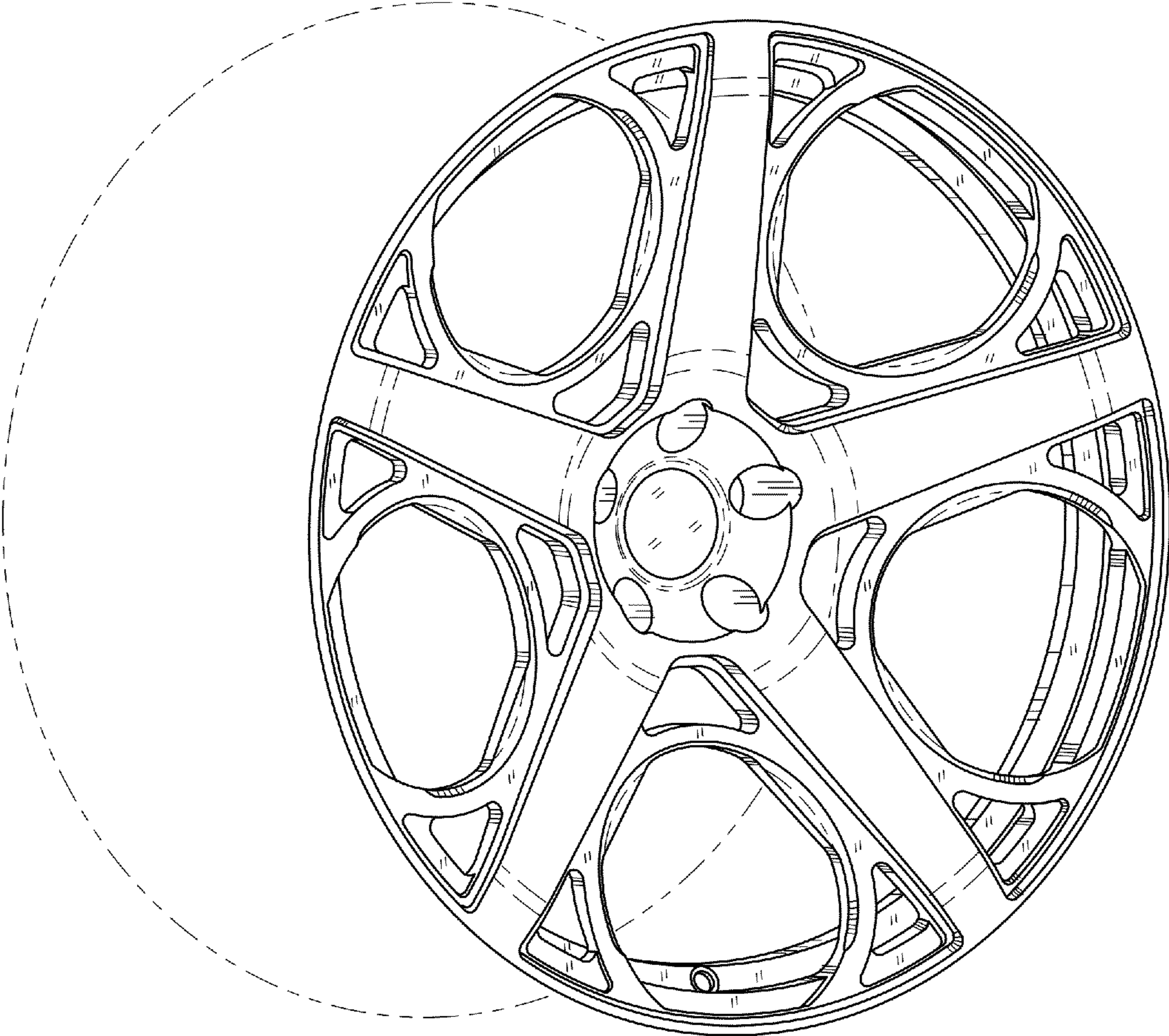


FIGURE 1

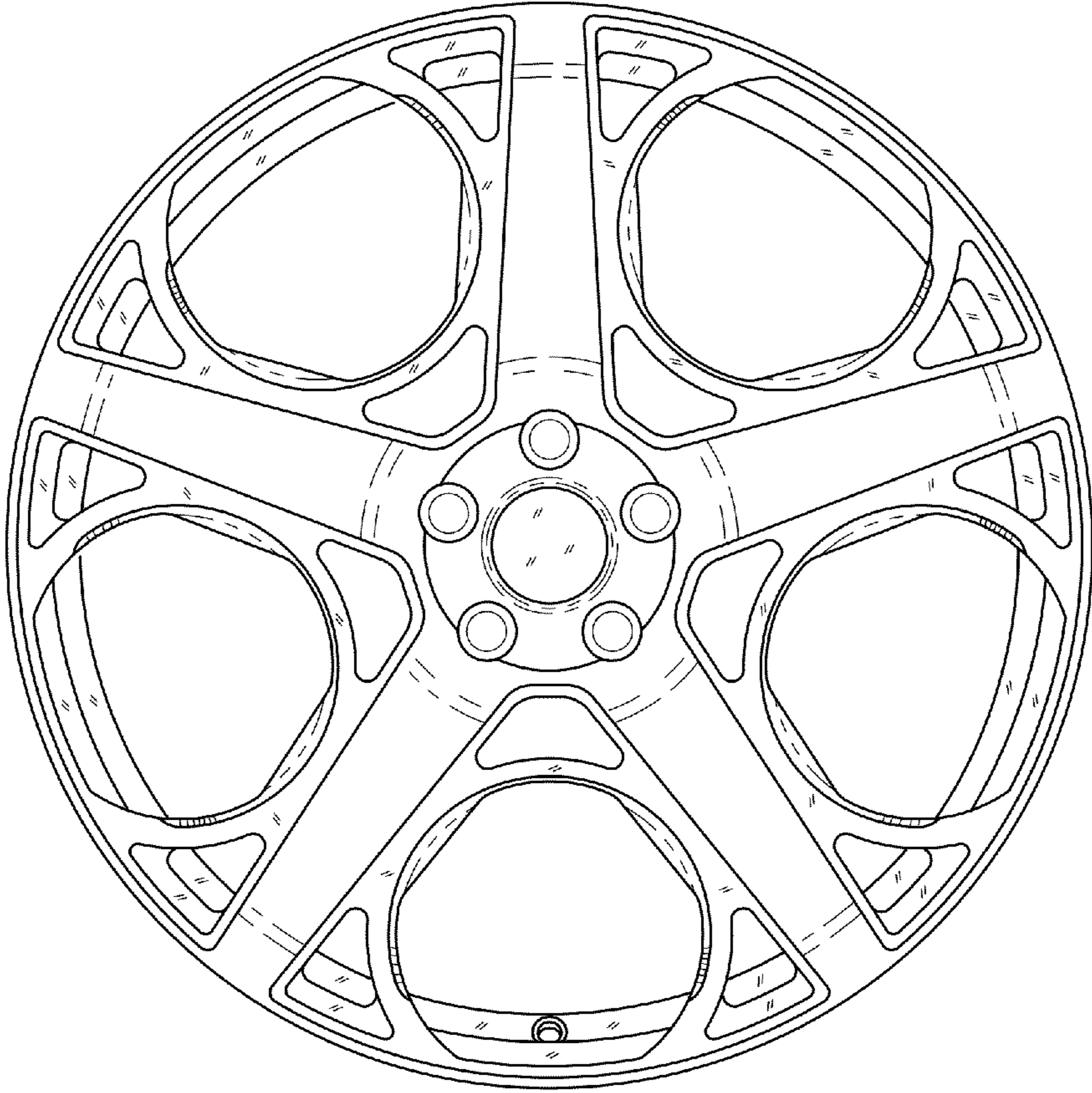


FIGURE 2