

US00D760140S

(12) **United States Design Patent**  
**Chung**

(10) **Patent No.:** **US D760,140 S**  
(45) **Date of Patent:** **\*\* Jun. 28, 2016**

(54) **AUTOMOTIVE WHEEL**

(71) Applicant: **Suny Chung**, Anaheim, CA (US)

(72) Inventor: **Suny Chung**, Anaheim, CA (US)

(\*\*) Term: **15 Years**

(21) Appl. No.: **29/529,604**

(22) Filed: **Jun. 9, 2015**

(51) **LOC (10) Cl.** ..... **12-16**

(52) **U.S. Cl.**  
USPC ..... **D12/209**

(58) **Field of Classification Search**  
USPC ..... D12/204–213  
CPC ..... B60B 7/00; B60B 7/02; B60B 7/04;  
B60B 7/01; B60B 7/06; B60B 3/02; B60B  
3/04; B60B 3/06; B60B 3/10; B60B 1/00;  
B60B 1/08; B60B 1/10; B60B 1/12  
See application file for complete search history.

(56) **References Cited**

**U.S. PATENT DOCUMENTS**

- D416,531 S \* 11/1999 Gabath ..... D12/209
- D426,184 S \* 6/2000 Goplen ..... D12/209
- D455,993 S \* 4/2002 Ayoub ..... D12/211

- D491,865 S \* 6/2004 Warming ..... D12/209
- D492,927 S \* 7/2004 Fitzgerald ..... D12/211
- D523,797 S \* 6/2006 Gallert ..... D12/209
- D532,737 S \* 11/2006 Clottu ..... D12/211
- D534,850 S \* 1/2007 Tsutamori ..... D12/209
- D548,165 S \* 8/2007 Young ..... D12/211
- D673,100 S \* 12/2012 Mueller-Stolz ..... D12/211
- D680,488 S \* 4/2013 Campbell ..... D12/211
- D688,180 S \* 8/2013 Gotschke ..... D12/204
- D691,938 S \* 10/2013 Churchill ..... D12/211
- D695,189 S \* 12/2013 Zhao ..... D12/209
- D714,706 S \* 10/2014 Chung ..... D12/211
- D719,889 S \* 12/2014 Hodges ..... D12/209
- D738,279 S \* 9/2015 Dionisopoulos ..... D12/209

\* cited by examiner

*Primary Examiner* — Stacia Cadmus

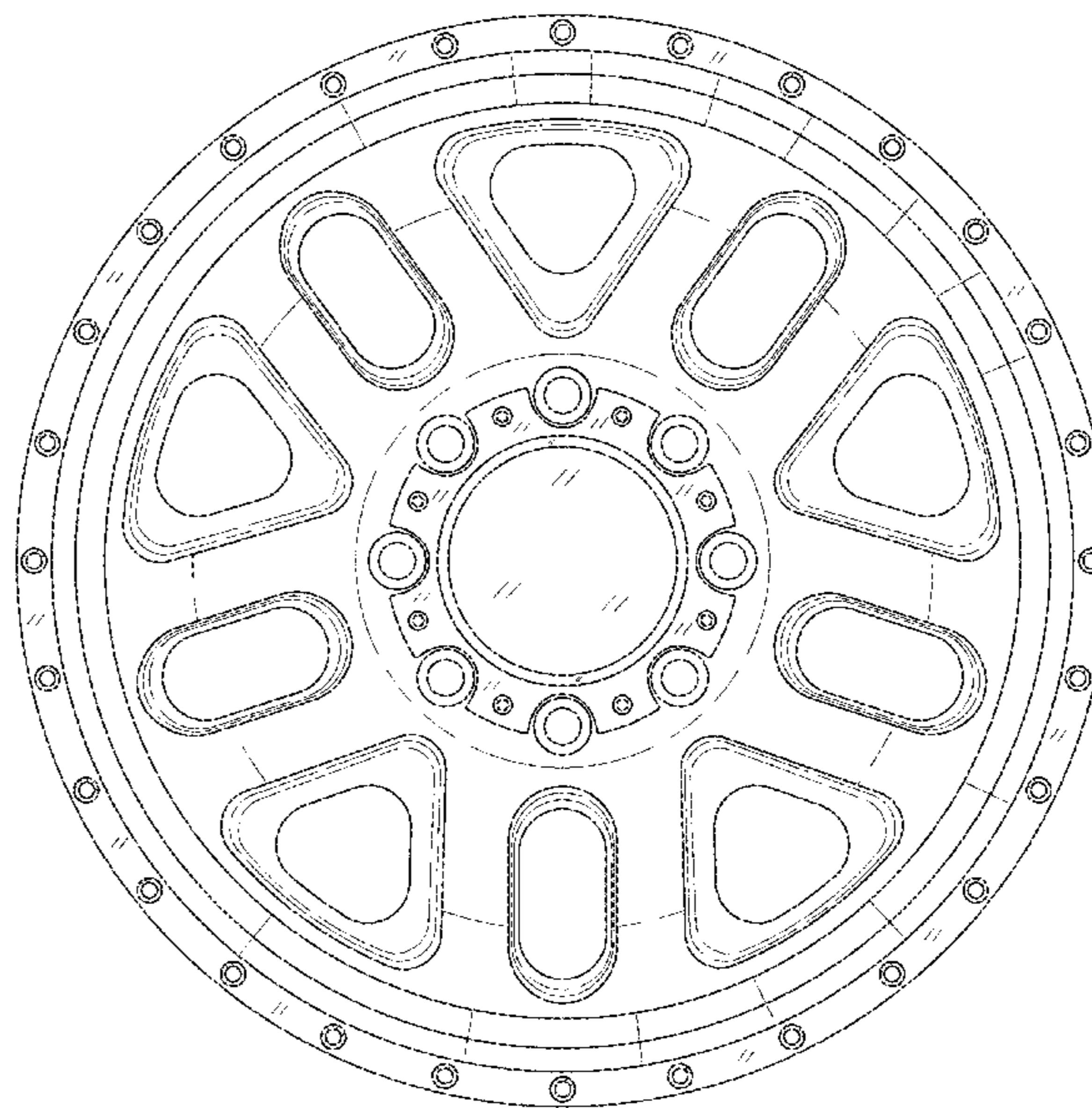
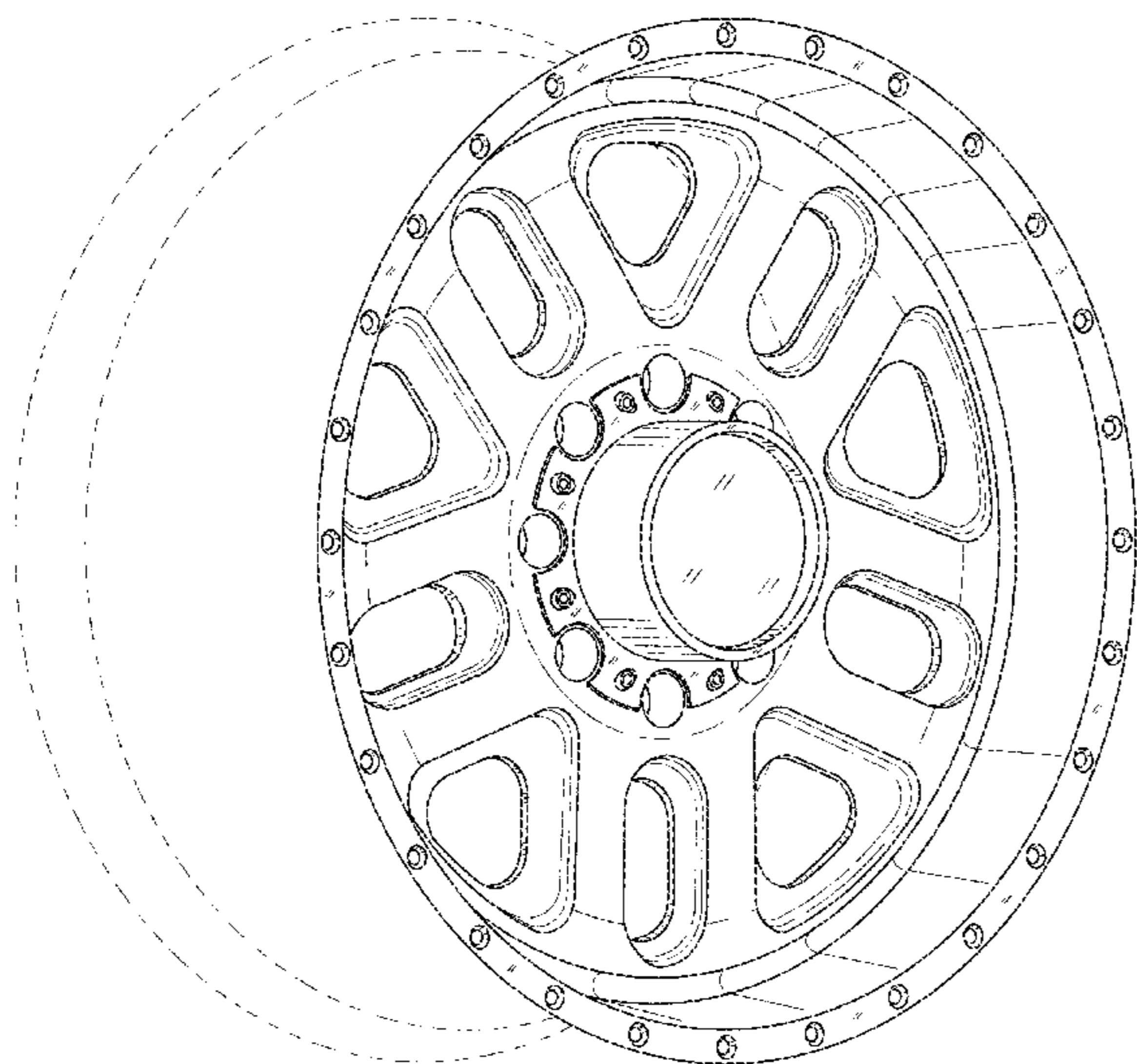
(57) **CLAIM**

The ornamental design for an automotive wheel, as shown and described.

**DESCRIPTION**

FIG. 1 is a perspective view of an automotive wheel, showing my new design; and, FIG. 2 is a front view thereof. The broken line showing of the rear portion of the wheel is included for the purpose of illustrating environment and forms no part of the claimed design.

**1 Claim, 2 Drawing Sheets**



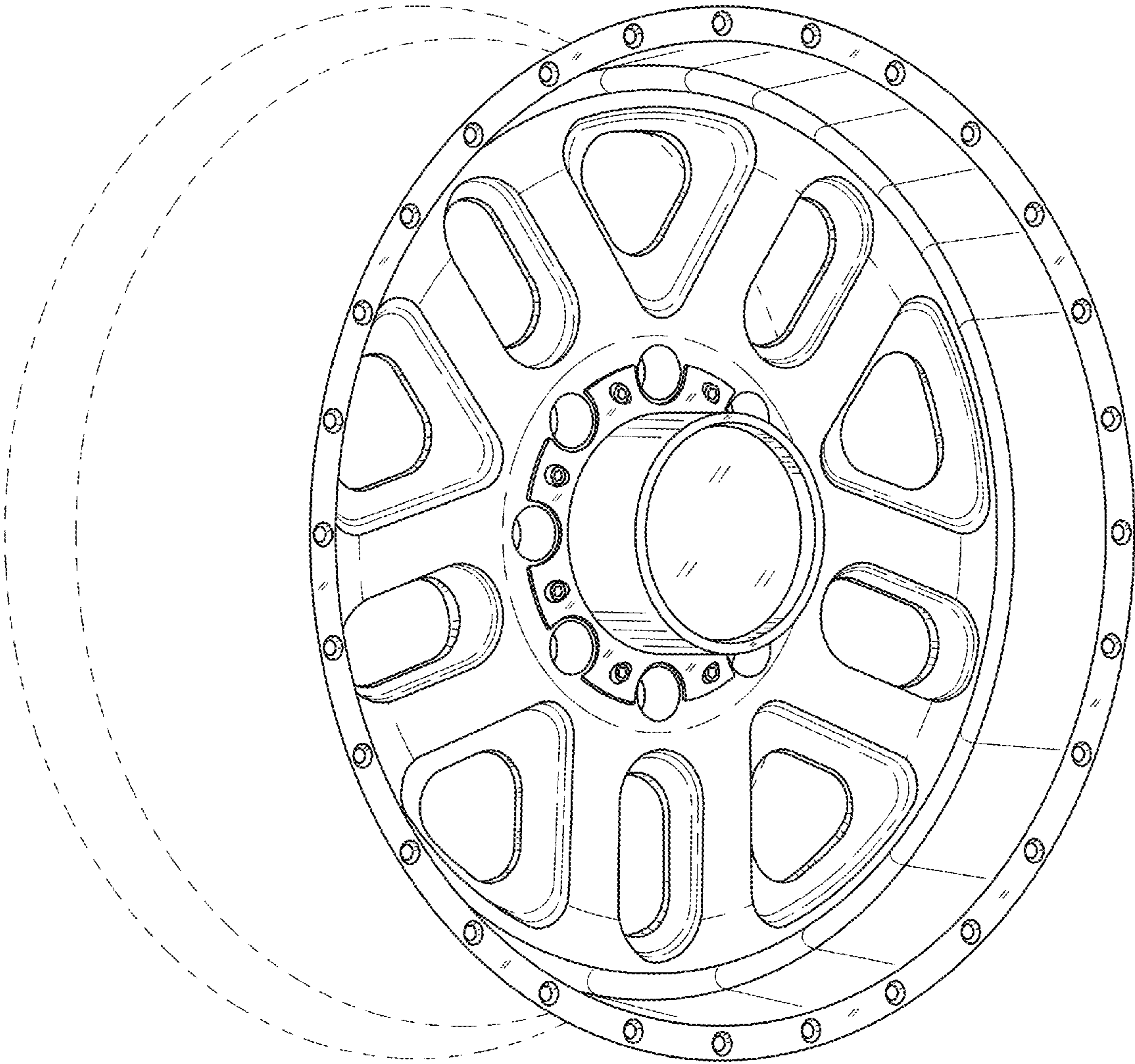


FIG. 1

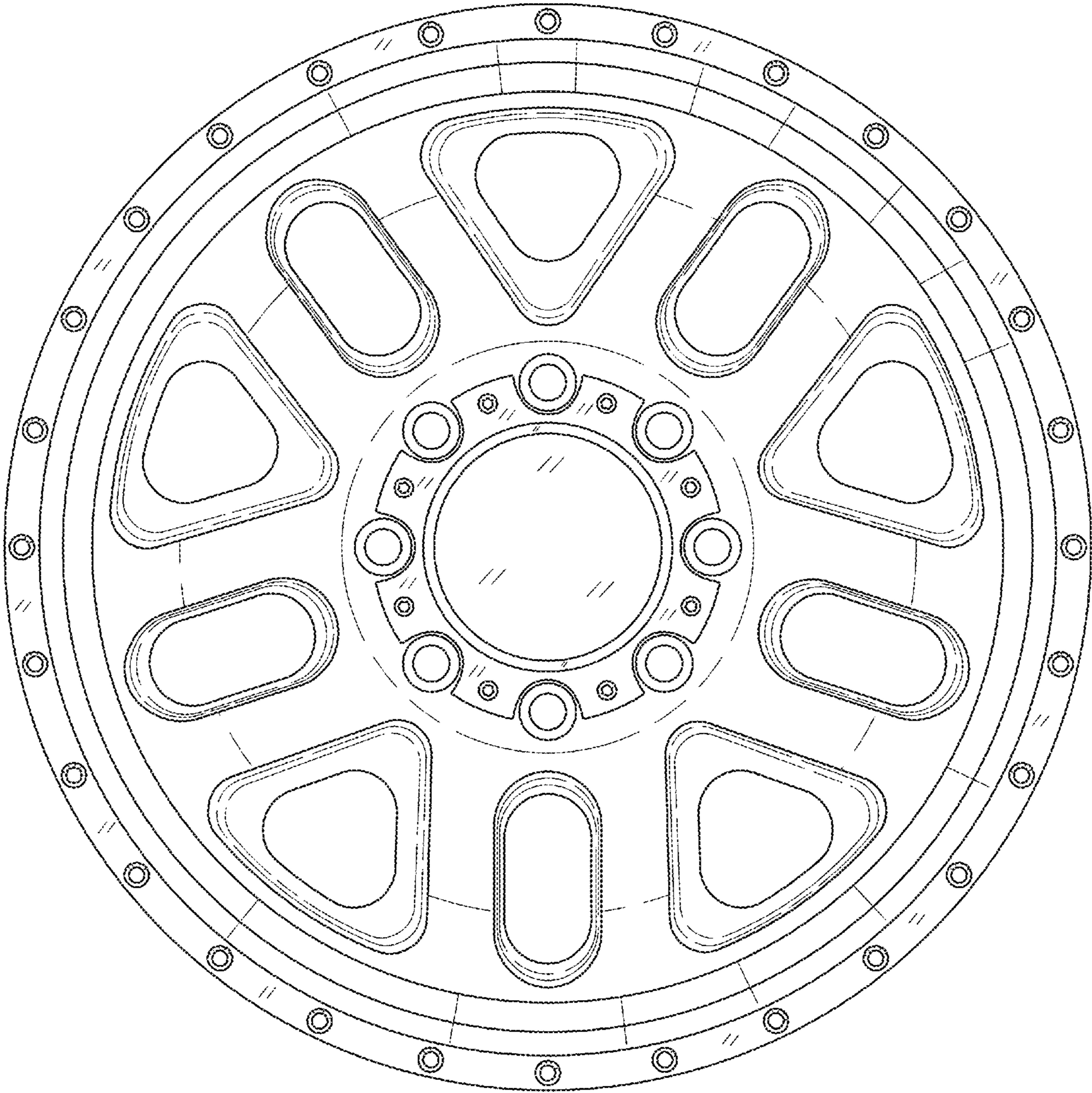


FIG. 2