



US00D760139S

(12) **United States Design Patent**
Dionisopoulos et al.

(10) **Patent No.:** **US D760,139 S**
(45) **Date of Patent:** **** Jun. 28, 2016**

- (54) **AUTOMOBILE WHEEL**
- (71) Applicants: **Frank Dionisopoulos**, Grosse Pointe Shores, MI (US); **Khashayar Honarkhah**, Bloomfield Hills, MI (US); **Mark C Trostle**, Rochester, MI (US)
- (72) Inventors: **Frank Dionisopoulos**, Grosse Pointe Shores, MI (US); **Khashayar Honarkhah**, Bloomfield Hills, MI (US); **Mark C Trostle**, Rochester, MI (US)
- (73) Assignee: **FCA US LLC**, Auburn Hills, MI (US)
- (**) Term: **14 Years**
- (21) Appl. No.: **29/517,190**
- (22) Filed: **Feb. 11, 2015**
- (51) **LOC (10) Cl.** **12-16**
- (52) **U.S. Cl.**
USPC **D12/209**
- (58) **Field of Classification Search**
USPC D12/204–213
CPC B60B 7/00; B60B 7/02; B60B 7/04; B60B 7/01; B60B 7/06; B60B 3/02; B60B 3/04; B60B 3/06; B60B 3/10; B60B 1/00; B60B 1/08; B60B 1/10; B60B 1/12
See application file for complete search history.

- (56) **References Cited**
U.S. PATENT DOCUMENTS
- D480,343 S * 10/2003 Oh D12/209
- D538,216 S * 3/2007 Sycha D12/209
- D590,757 S * 4/2009 Froehlich D12/209
- D608,713 S * 1/2010 Bucher D12/209
- D614,558 S * 4/2010 Luciani D12/209
- D617,712 S * 6/2010 Juergens D12/209

- D635,904 S * 4/2011 Futschik D12/209
- D639,716 S * 6/2011 Juergens D12/211
- D645,391 S * 9/2011 Weil D12/209
- D649,503 S * 11/2011 Platto D12/209
- D651,956 S * 1/2012 Ectors D12/209
- D664,081 S * 7/2012 Muller D12/209
- D671,477 S * 11/2012 Juergens D12/209
- D673,093 S * 12/2012 Platto D12/209
- D674,330 S * 1/2013 Kito D12/209
- D697,003 S * 1/2014 Baum D12/209
- D697,007 S * 1/2014 Pollmann D12/209
- D714,203 S * 9/2014 George D12/209
- D715,715 S * 10/2014 Pollmann D12/209
- D723,988 S * 3/2015 Kito D12/209
- D726,619 S * 4/2015 Gotschke D12/209
- D728,441 S * 5/2015 Zhang D12/209
- D734,234 S * 7/2015 Juergens D12/209
- D744,925 S * 12/2015 Wheel D12/209
- D746,750 S * 1/2016 Curtis D12/209
- D746,751 S * 1/2016 Wheel D12/209
- D749,028 S * 2/2016 Henstridge D12/209
- D751,019 S * 3/2016 Behmer D12/211
- D753,044 S * 4/2016 Mielke D12/209

* cited by examiner

Primary Examiner — Stacia Cadmus
(74) *Attorney, Agent, or Firm* — Ralph E. Smith

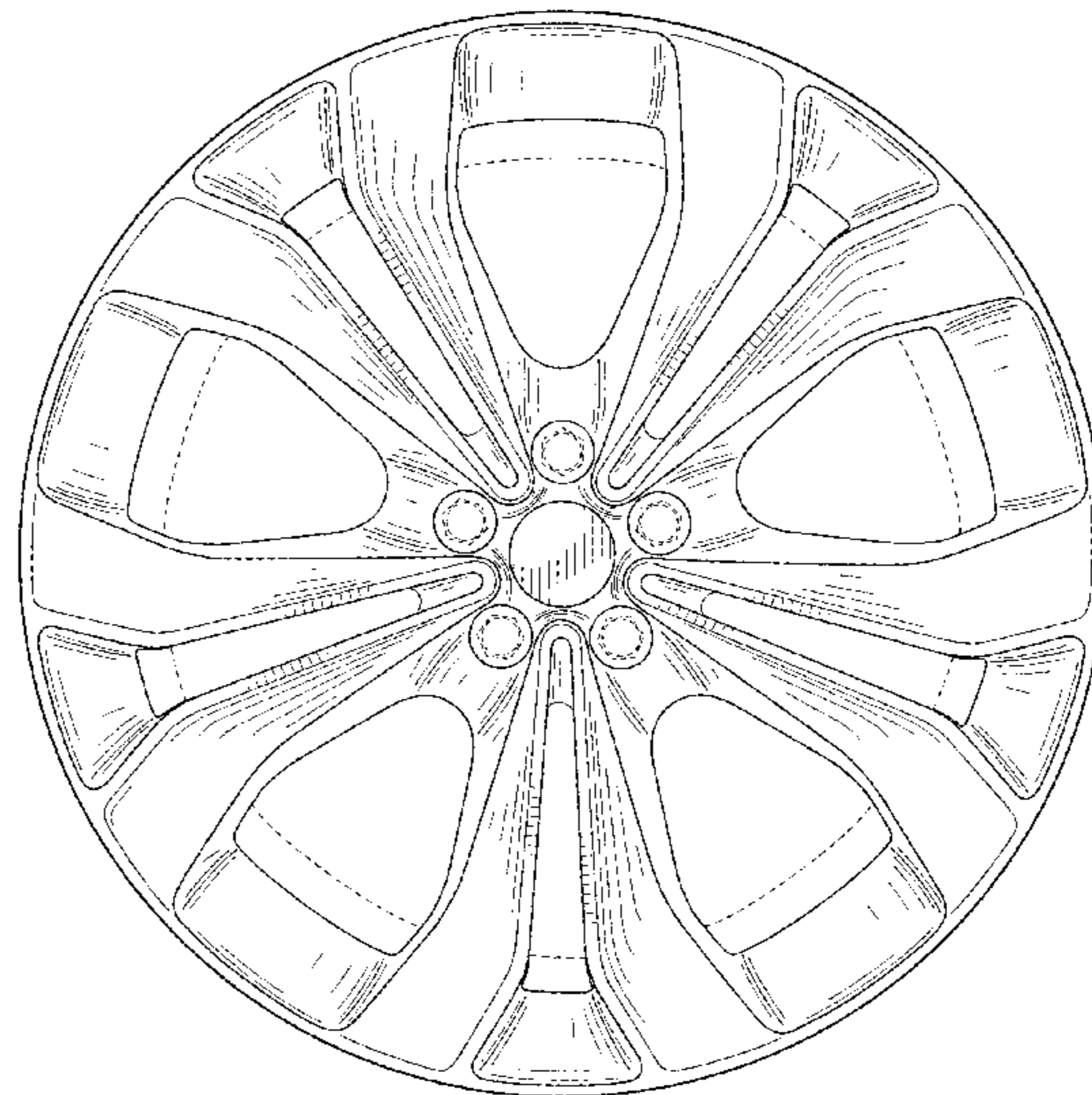
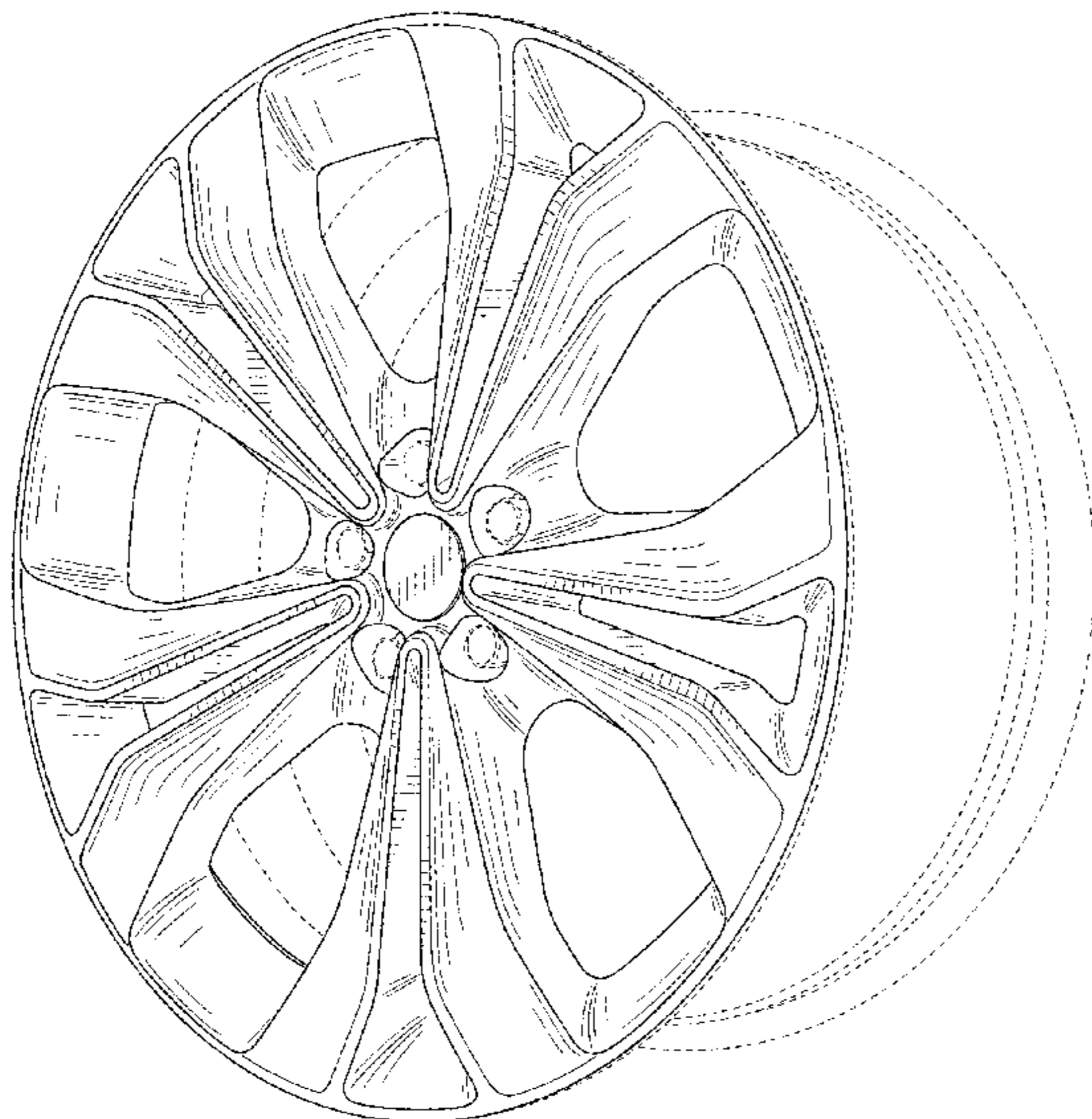
(57) **CLAIM**
The ornamental design for an automobile wheel, as shown and described.

DESCRIPTION

FIG. 1 is a left side perspective view of an automobile wheel showing our new design; FIG. 2 is a right side perspective view thereof; and, FIG. 3 is a front view.

It will be understood that the broken lines shown in the drawings illustrate portions of the automobile wheel that form no part of claimed design.

1 Claim, 3 Drawing Sheets



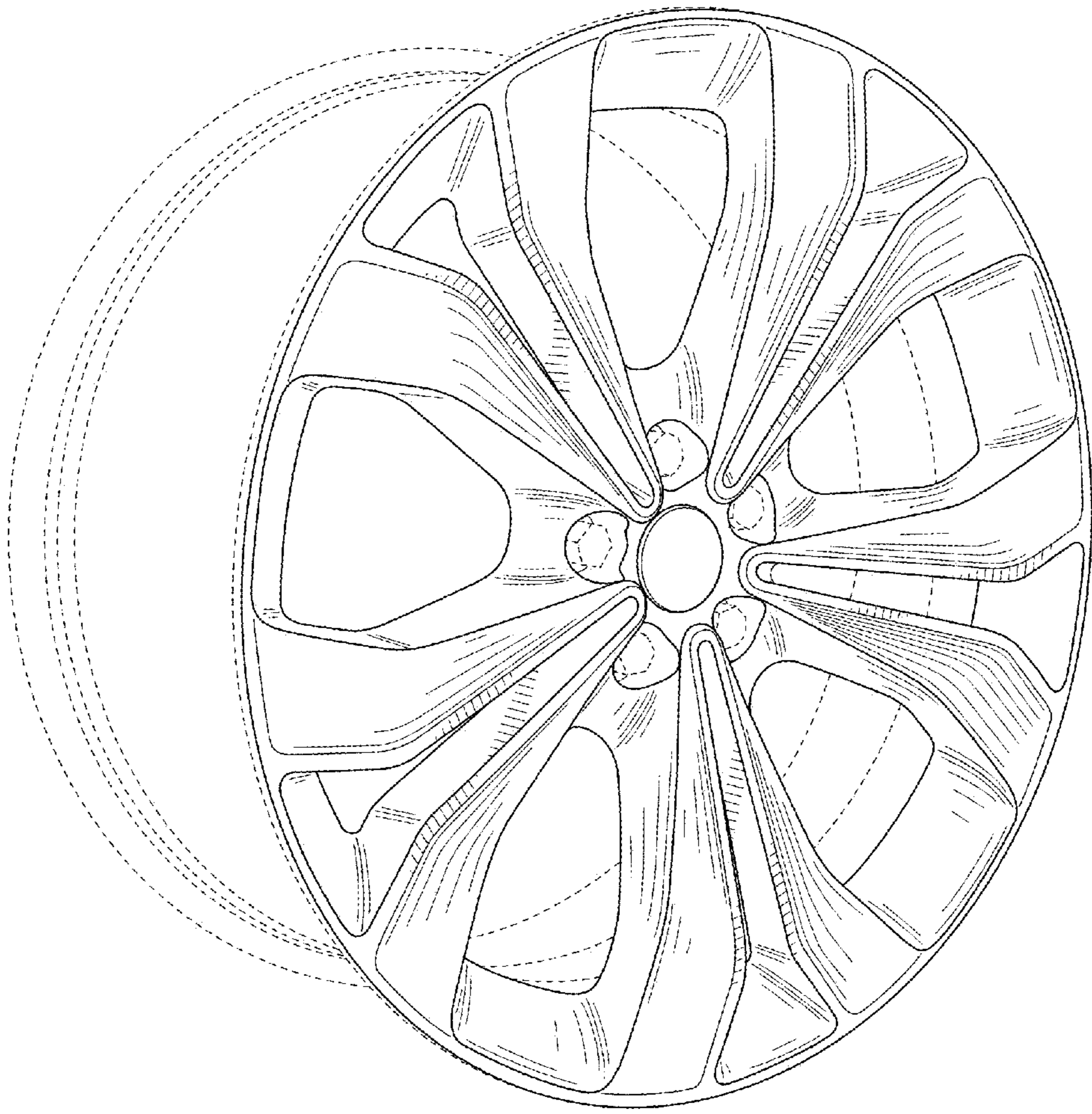


FIG. 1

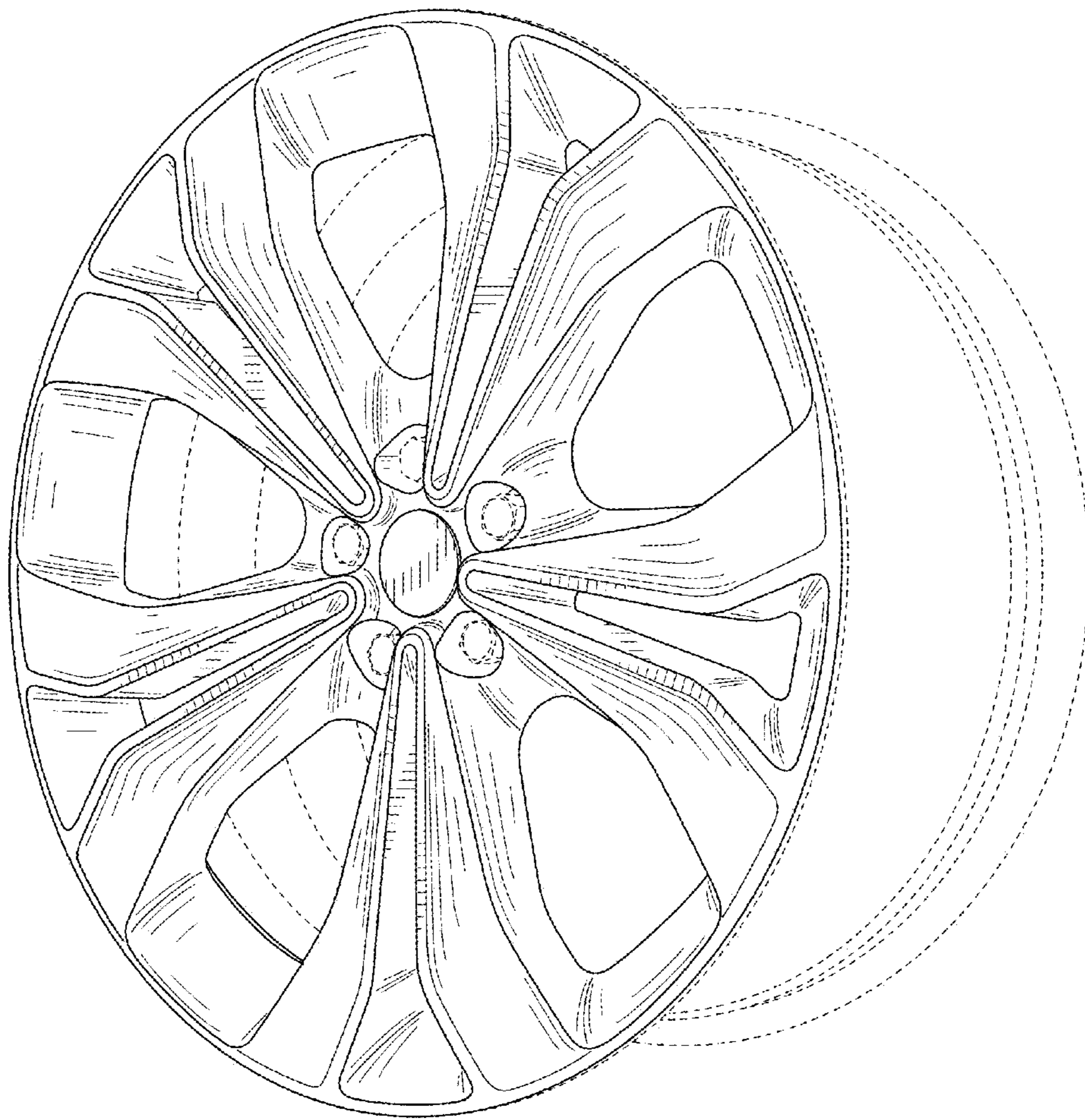


FIG. 2

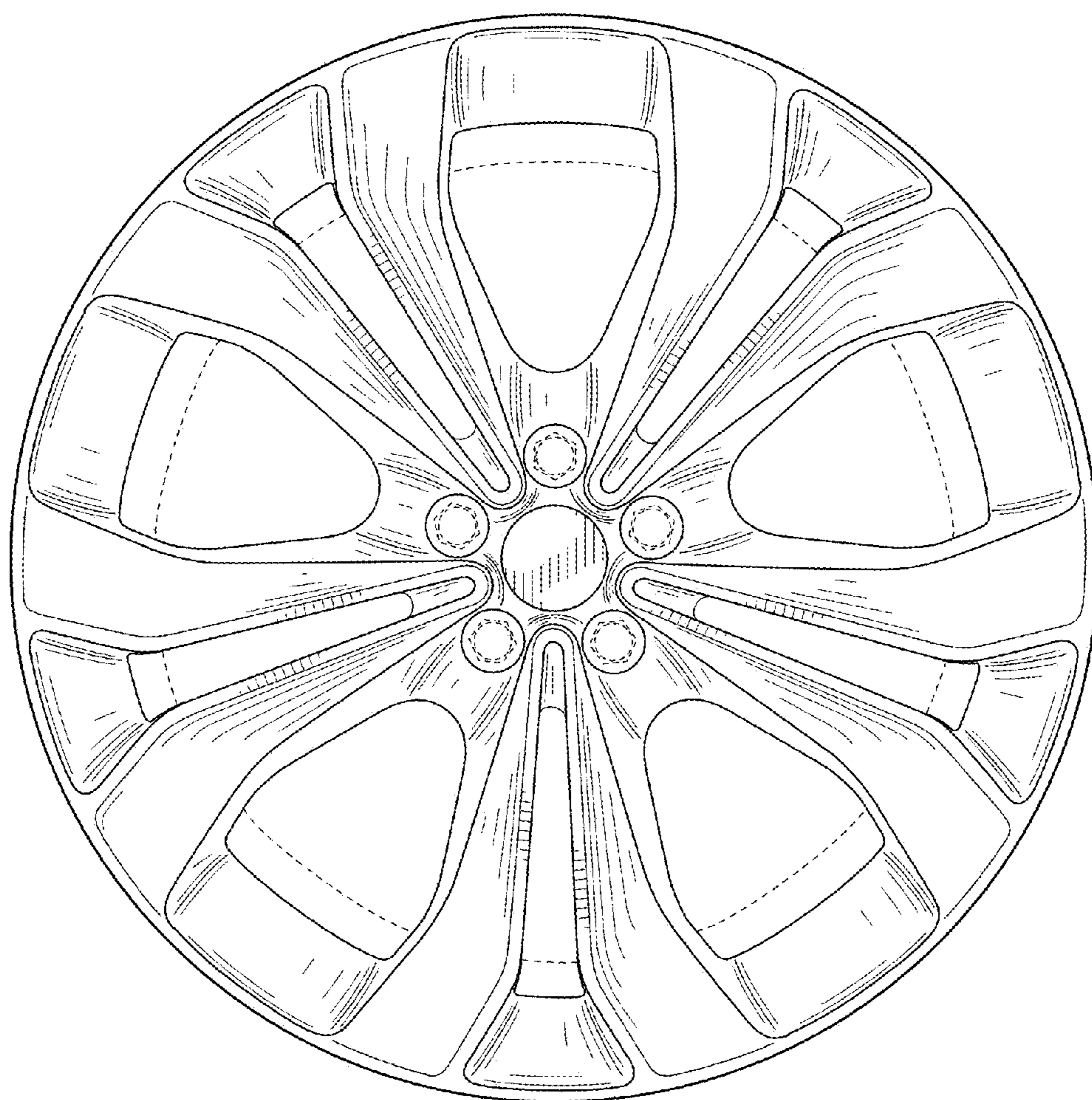


FIG. 3