



US00D760137S

(12) **United States Design Patent**
Galante et al.

(10) **Patent No.:** **US D760,137 S**
(45) **Date of Patent:** **** Jun. 28, 2016**

- (54) **AUTOMOBILE REAR BUMPER**
- (71) Applicants: **Vincent J Galante**, Lake Orion, MI (US); **Mark T Allen**, Oxford, MI (US)
- (72) Inventors: **Vincent J Galante**, Lake Orion, MI (US); **Mark T Allen**, Oxford, MI (US)
- (73) Assignee: **FCA US LLC**, Auburn Hills, MI (US)
- (**) Term: **14 Years**
- (21) Appl. No.: **29/506,716**
- (22) Filed: **Oct. 20, 2014**

8,308,215	B2 *	11/2012	Souma	B62D 43/10	296/187.11
8,517,461	B2 *	8/2013	Huber	B62D 25/084	293/120
D693,737	S	11/2013	Hammoud et al.			
D695,180	S *	12/2013	Hildebrand	D12/196	
D703,583	S *	4/2014	Howell	D12/91	
D706,191	S *	6/2014	Choi	D12/196	
8,746,777	B2 *	6/2014	Iwano	B60J 5/101	296/146.11
D711,784	S	8/2014	Galante et al.			
D718,695	S *	12/2014	Galante	D12/196	
D726,615	S *	4/2015	Wolff	D12/196	
D736,124	S *	8/2015	Glover	D12/164	
D736,128	S *	8/2015	Blanski	D12/196	
2013/0169005	A1 *	7/2013	Okamachi	B62D 25/08	296/193.08

Related U.S. Application Data

- (63) Continuation-in-part of application No. 29/458,821, filed on Jun. 24, 2013, now Pat. No. Des. 720,265.
- (51) **LOC (10) Cl.** **12-16**
- (52) **U.S. Cl.**
USPC **D12/196**
- (58) **Field of Classification Search**
USPC D12/86, 90, 91, 92, 163, 169, 171, 196, D12/216; 293/102, 113, 115, 117, 120; 296/180.1, 180.2
CPC B62D 25/02; B62D 25/08; B62D 25/087; B62D 25/24
See application file for complete search history.

References Cited

U.S. PATENT DOCUMENTS

D297,002	S *	8/1988	Everts	D12/196	
D350,504	S	9/1994	Nixon			
D420,939	S	2/2000	Faurote et al.			
D500,460	S	1/2005	Allen et al.			
D506,955	S	7/2005	Allen et al.			
D534,097	S	12/2006	Renkert et al.			
8,256,825	B1 *	9/2012	Dryja	B60J 5/101	296/106

OTHER PUBLICATIONS

Jeep Cherokee 2014: Best-In-Class 4x4 Capability. May 2, 2013 [online], [retrieved on Jan. 15, 2014]. Retrieved from the Internet <URL: http://www.auto-brochures.com/makes/Jeep/Cherokee/Jeep_US%20Cherokee_2014.pdf>.*

* cited by examiner

Primary Examiner — Philip S Hyder

Assistant Examiner — Darlington Ly

(74) *Attorney, Agent, or Firm* — Ralph E. Smith

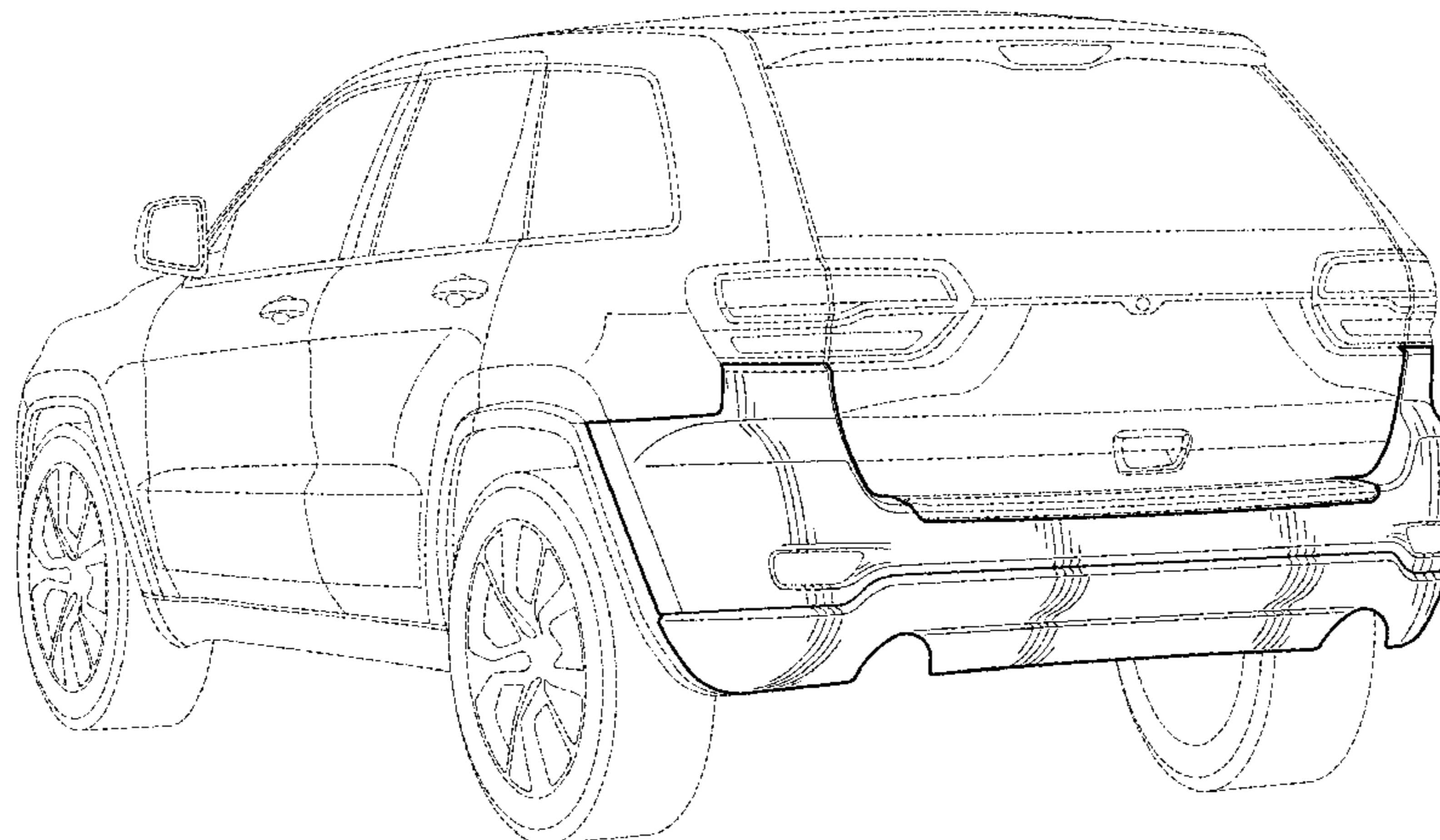
(57) **CLAIM**

The ornamental design for an automobile rear bumper, as shown and described.

DESCRIPTION

FIG. 1 is a front perspective view of an automobile having the automobile rear bumper showing our new design; FIG. 2 is a rear perspective view thereof, FIG. 3 is a rear view thereof; and, FIG. 4 is a side view thereof. The broken line showing of the automobile rear bumper is for the purpose of illustrating portions of the article and forms no part of the claimed design.

1 Claim, 4 Drawing Sheets



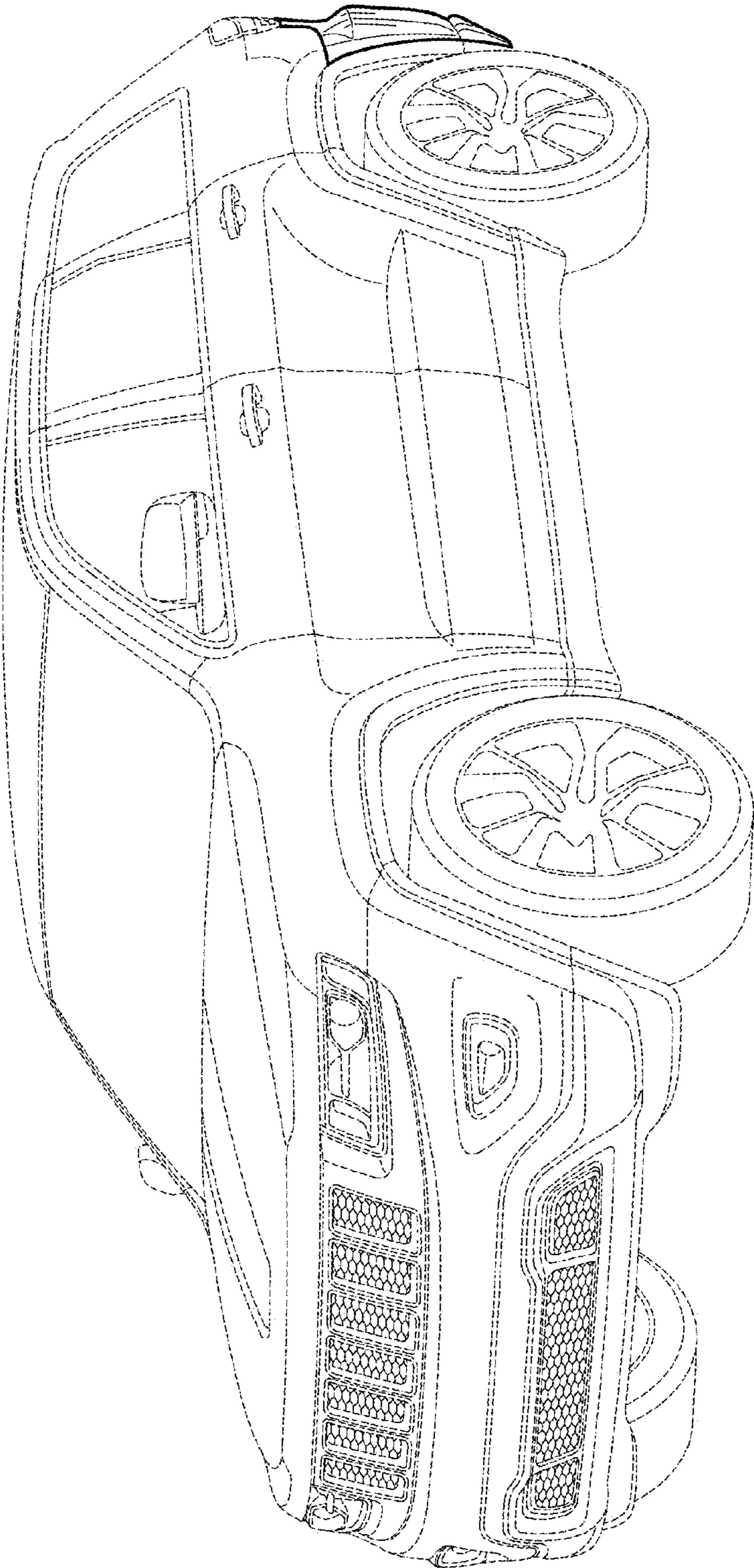


FIG. 1

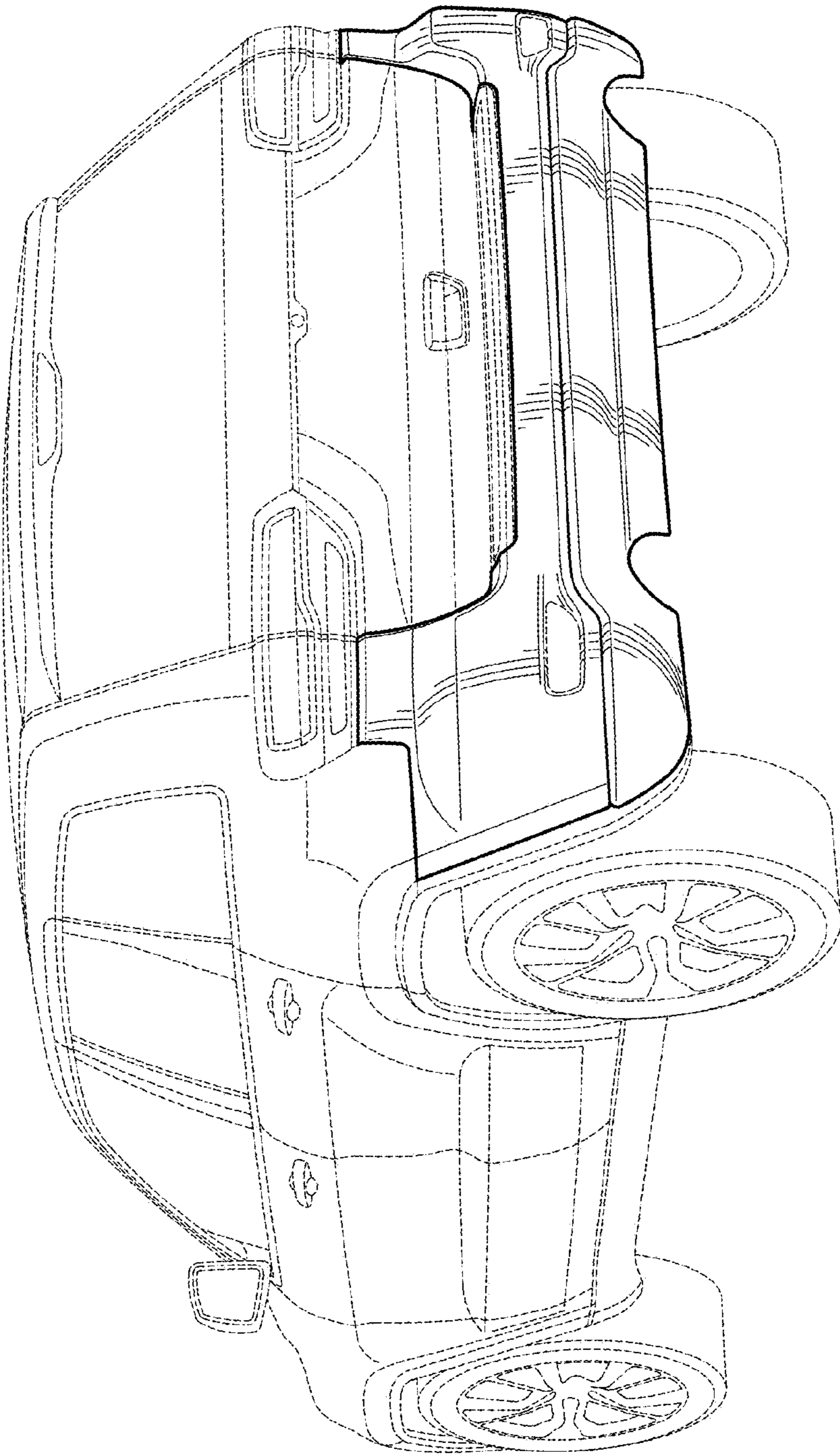


FIG. 2

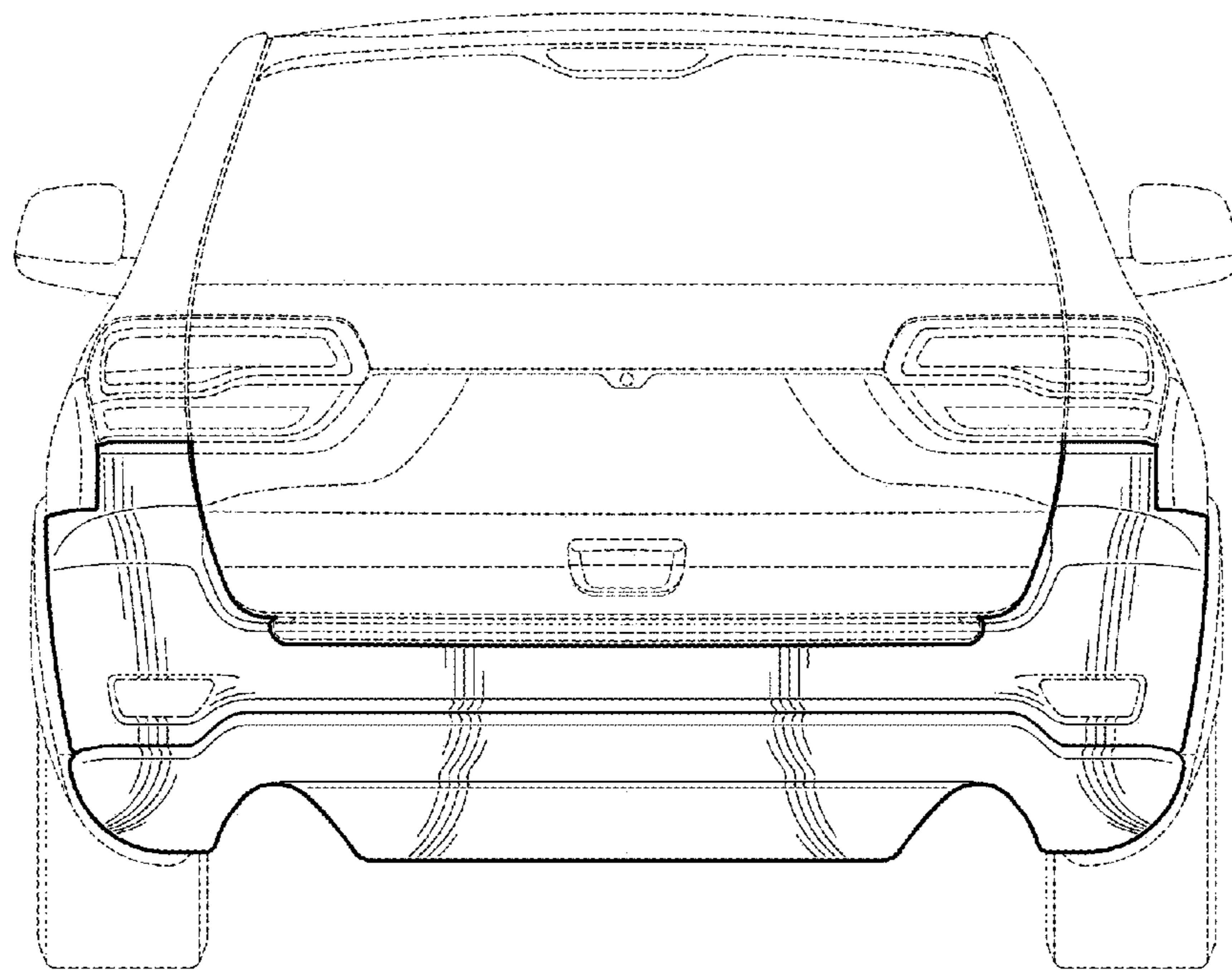


FIG. 3

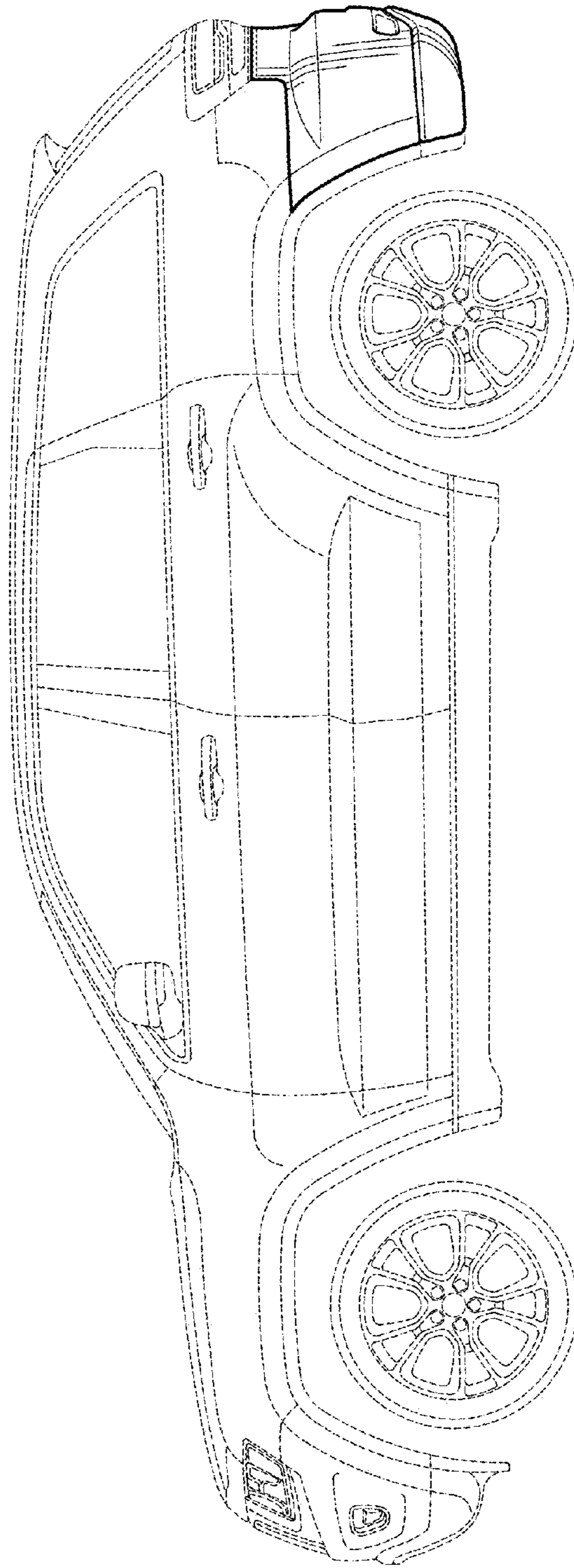


FIG. 4