



US00D760136S

(12) **United States Design Patent**
Takahashi et al.

(10) **Patent No.:** **US D760,136 S**
(45) **Date of Patent:** **** Jun. 28, 2016**

(54) **MOTOR VEHICLE**

- (71) Applicant: **MAZDA MOTOR CORPORATION**,
Hiroshima (JP)
- (72) Inventors: **Kousuke Takahashi**, Aki-gun (JP);
Yasutake Tsuchida, Aki-gun (JP);
Masashi Aikawa, Aki-gun (JP);
Shinichi Harada, Aki-gun (JP); **Kouta**
Akagawa, Aki-gun (JP)
- (73) Assignee: **Mazda Motor Corporation**, Hiroshima
(JP)
- (**) Term: **14 Years**
- (21) Appl. No.: **29/499,795**
- (22) Filed: **Aug. 19, 2014**
- (30) **Foreign Application Priority Data**
Feb. 19, 2014 (JP) D2014-003329
- (51) **LOC (10) Cl.** **12-08**
- (52) **U.S. Cl.**
USPC **D12/190**
- (58) **Field of Classification Search**
USPC D12/190, 106, 192, 400, 90, 91, 92,
D12/197, 86, 171, 169, 163, 110, 114;
D11/211, 81; D20/11, 23, 24, 25, 30,
D20/31, 32
CPC B60J 10/35; B60J 10/0011; B60J 10/02
See application file for complete search history.

(56) **References Cited**

U.S. PATENT DOCUMENTS

D189,448 S *	12/1960	Loewy	D12/190
D637,127 S *	5/2011	Faghihzadeh	D12/190
D660,754 S *	5/2012	Nakamuta	D12/190
D692,358 S *	10/2013	Nakamuta	D12/190
D714,197 S *	9/2014	Matsumoto	D12/190
D746,199 S *	12/2015	Iwauchi	D12/190
D748,025 S *	1/2016	Yoshimine	D12/190

* cited by examiner

Primary Examiner — Katrina A Betton

(74) *Attorney, Agent, or Firm* — Studebaker & Brackett PC

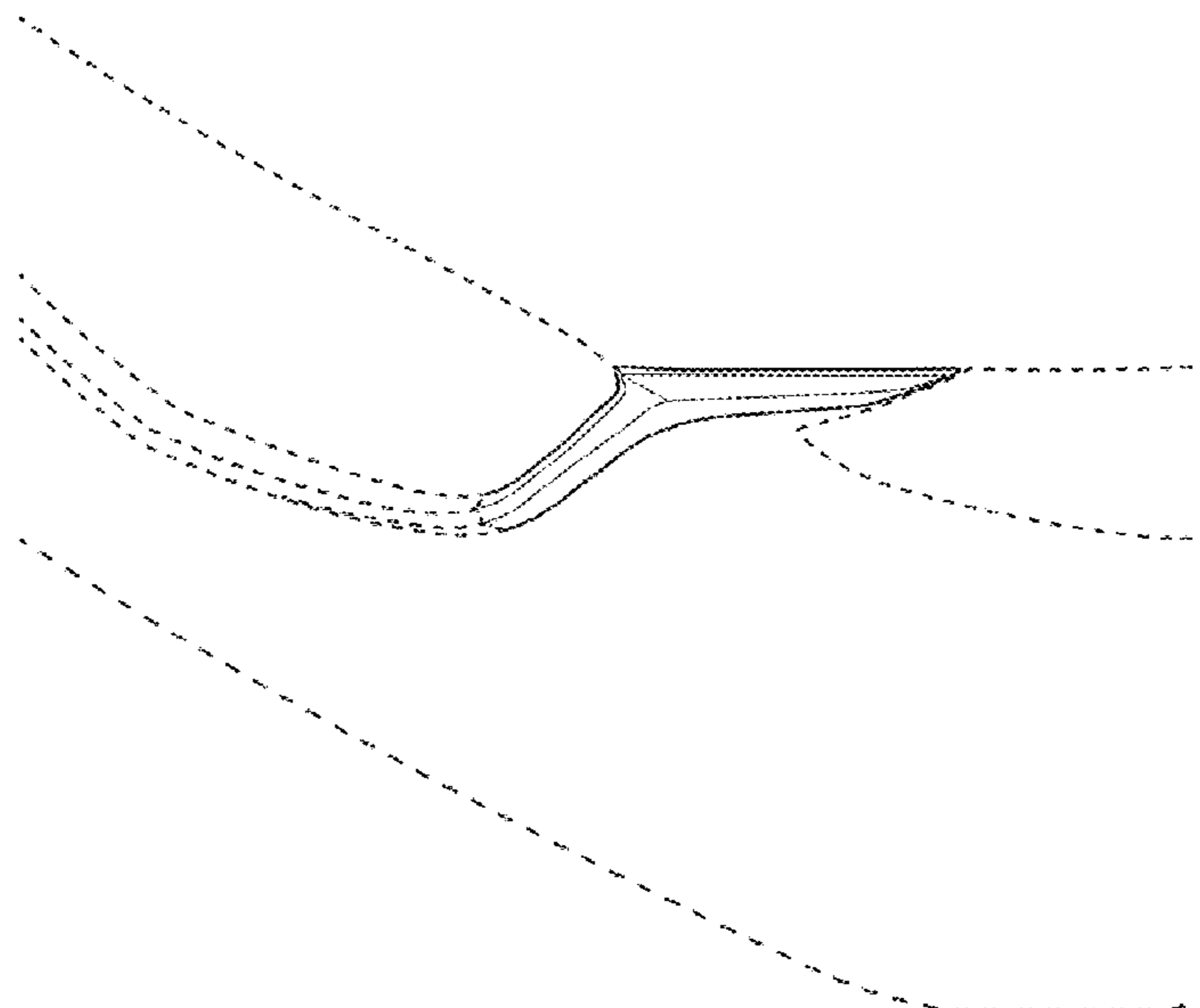
(57) **CLAIM**

The ornamental design for a motor vehicle, as shown and described.

DESCRIPTION

FIG. 1 is a first perspective view of a motor vehicle;
 FIG. 2 is a second perspective view thereof;
 FIG. 3 is a front view thereof;
 FIG. 4 is a left side view thereof;
 FIG. 5 is a top view thereof;
 FIG. 6 is an enlarged perspective view of FIG. 1 thereof;
 FIG. 7 is an enlarged perspective view of FIG. 2 thereof; and,
 FIG. 8 is an enlarged left side view.
 The portion shown by broken lines is for illustrative purposes only and forms no part of the claimed design.

1 Claim, 7 Drawing Sheets



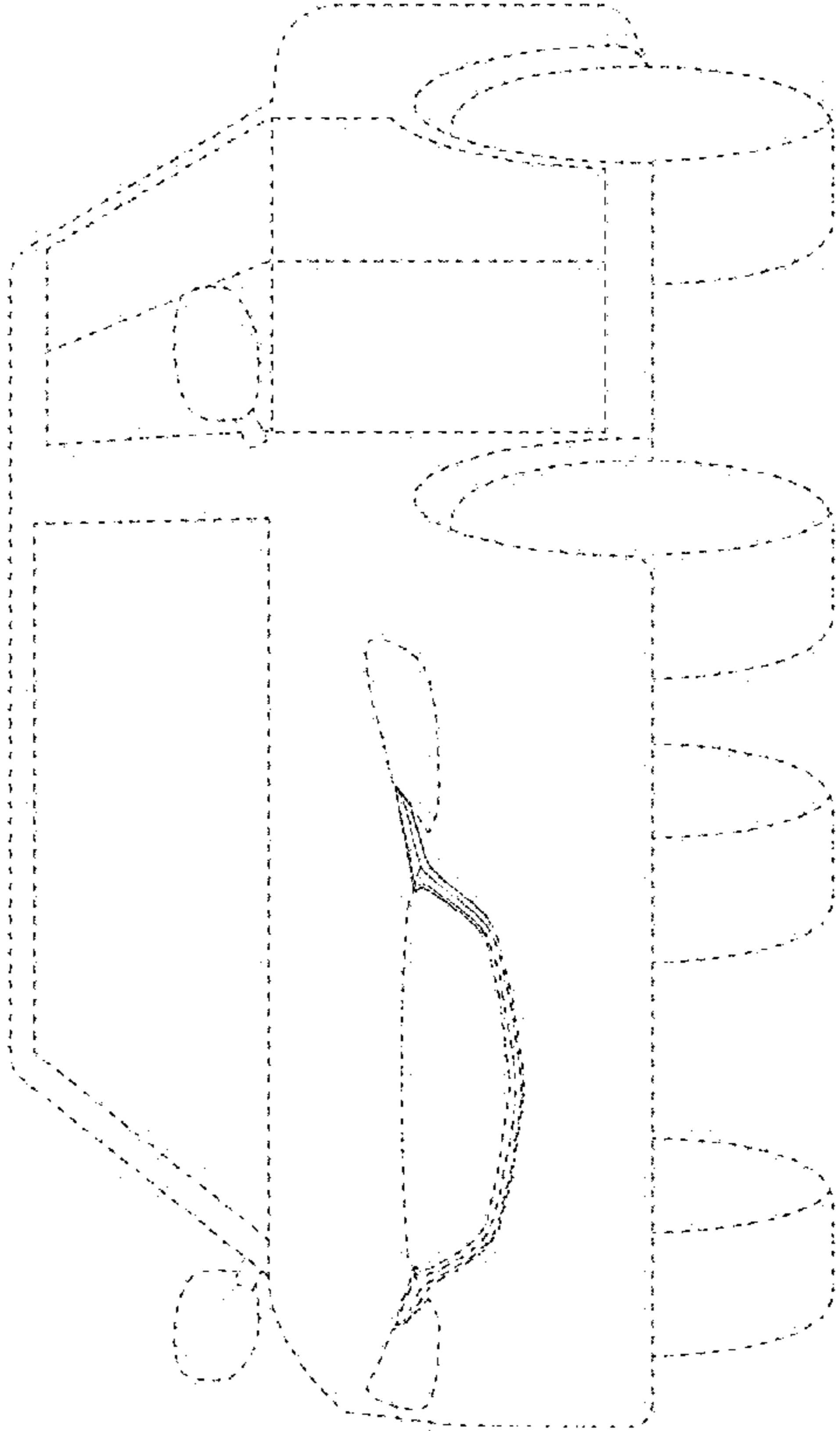


FIG.1

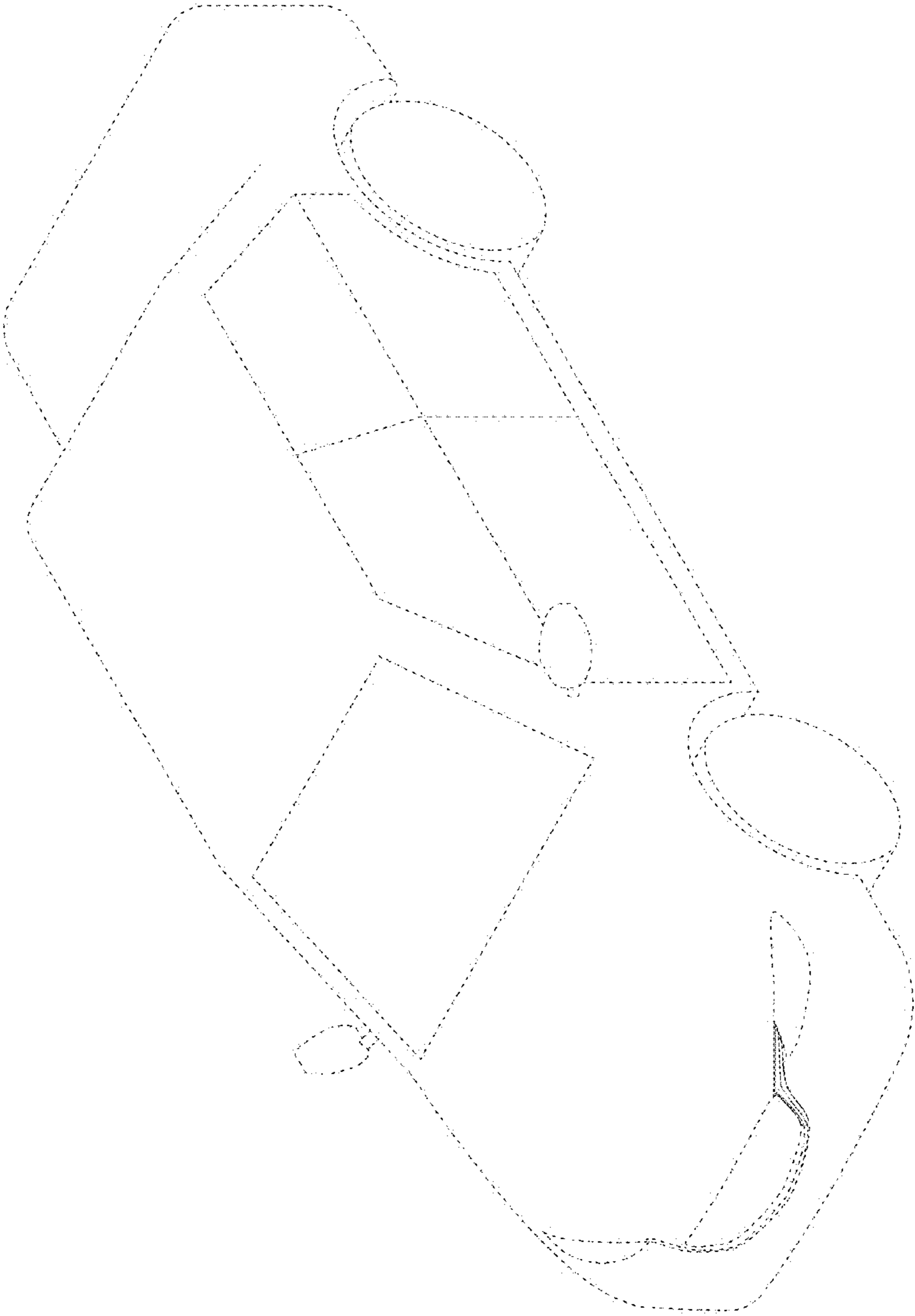


FIG.2

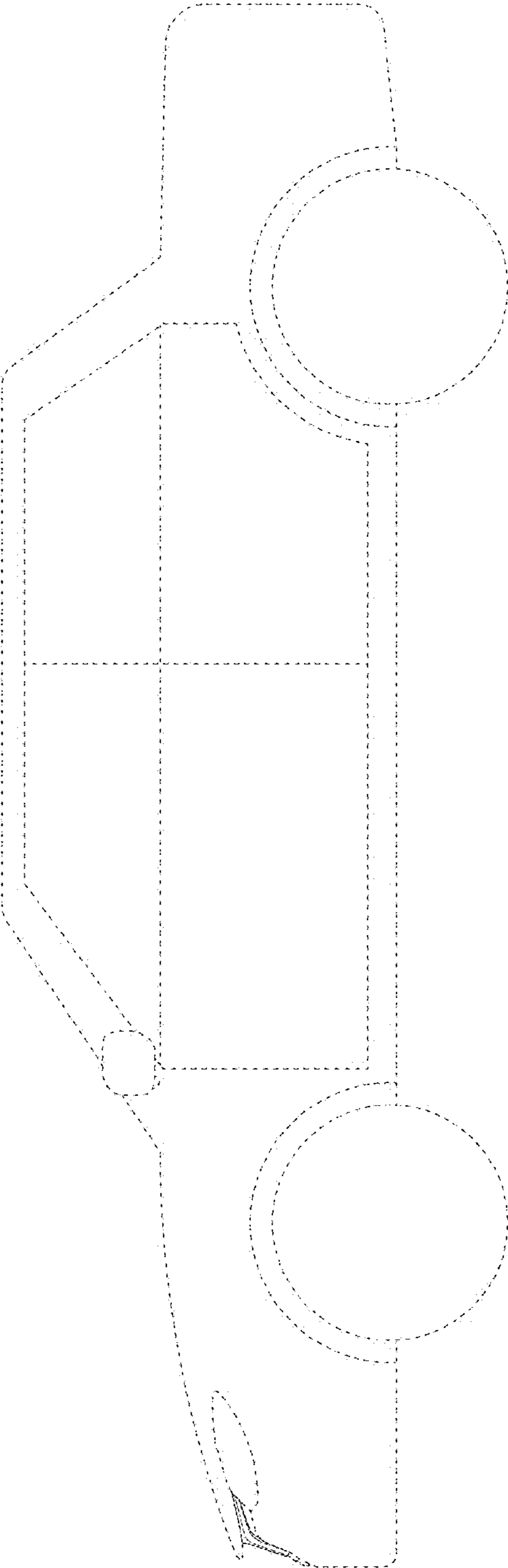


FIG. 3

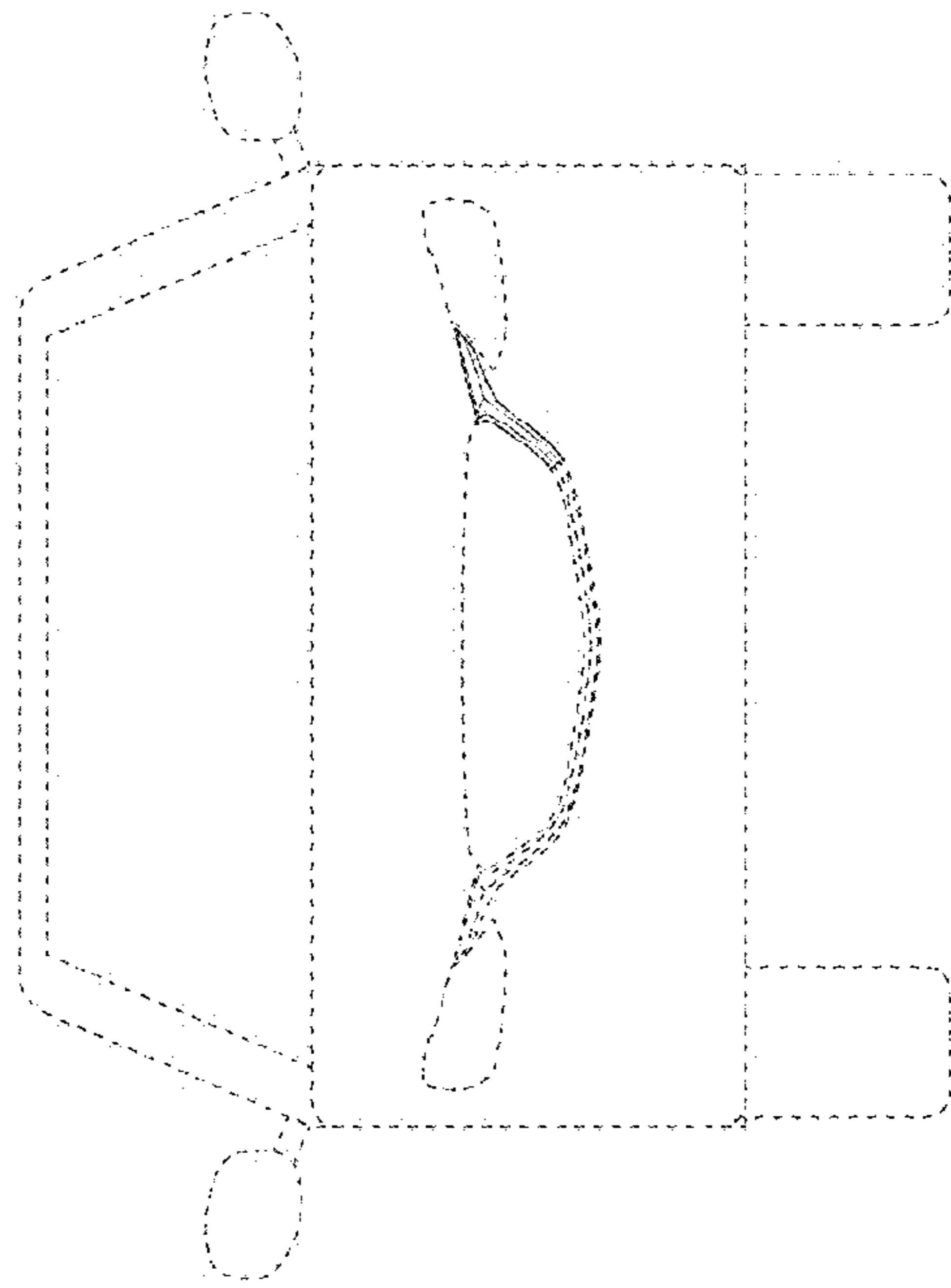


FIG.4

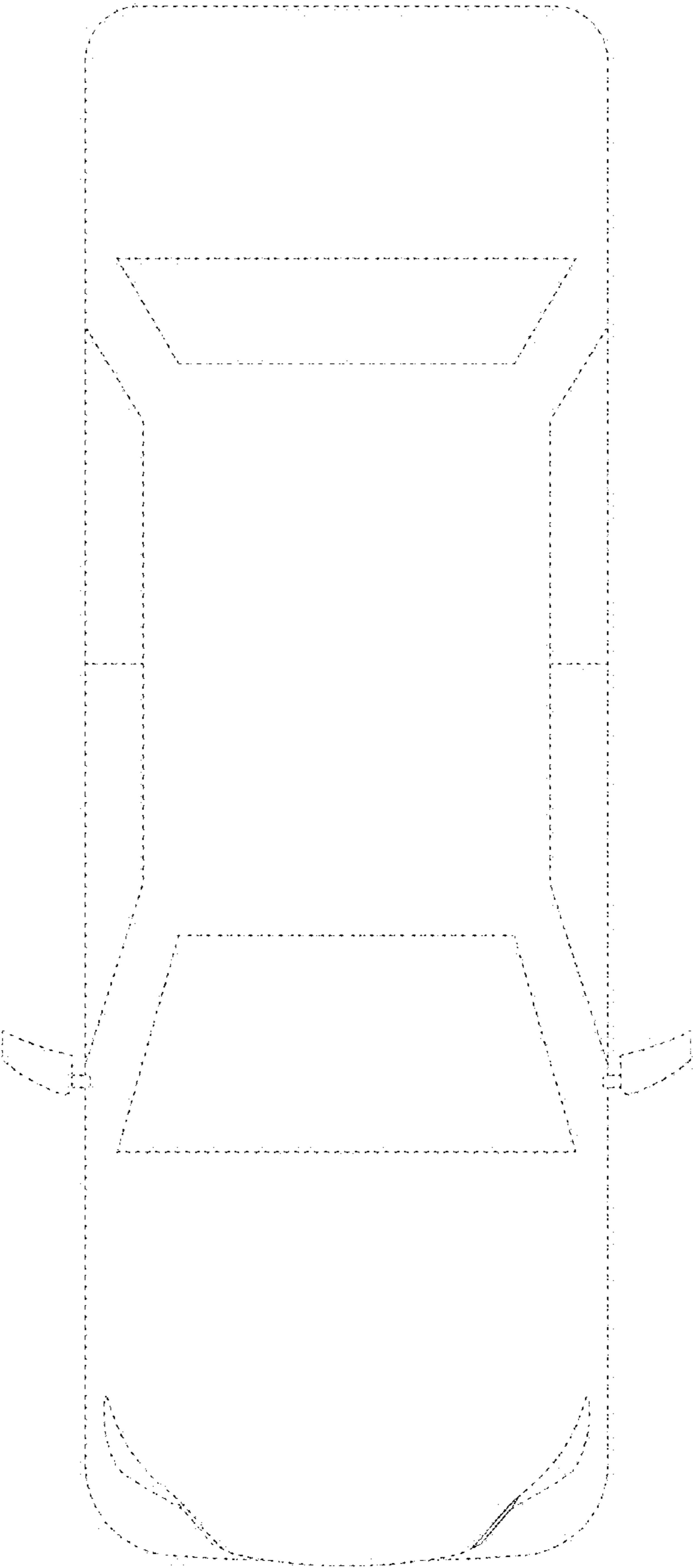


FIG. 5

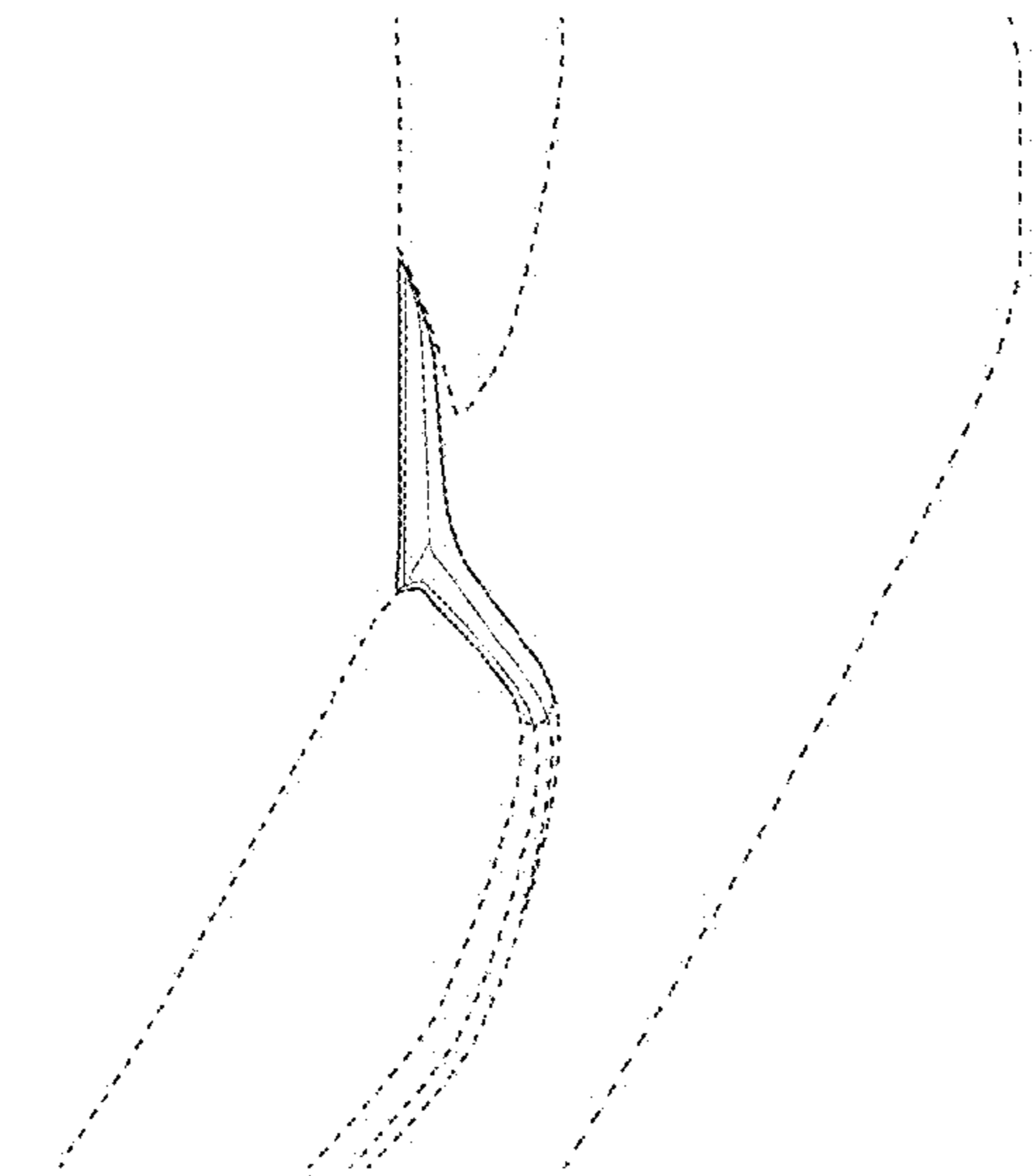


FIG.6

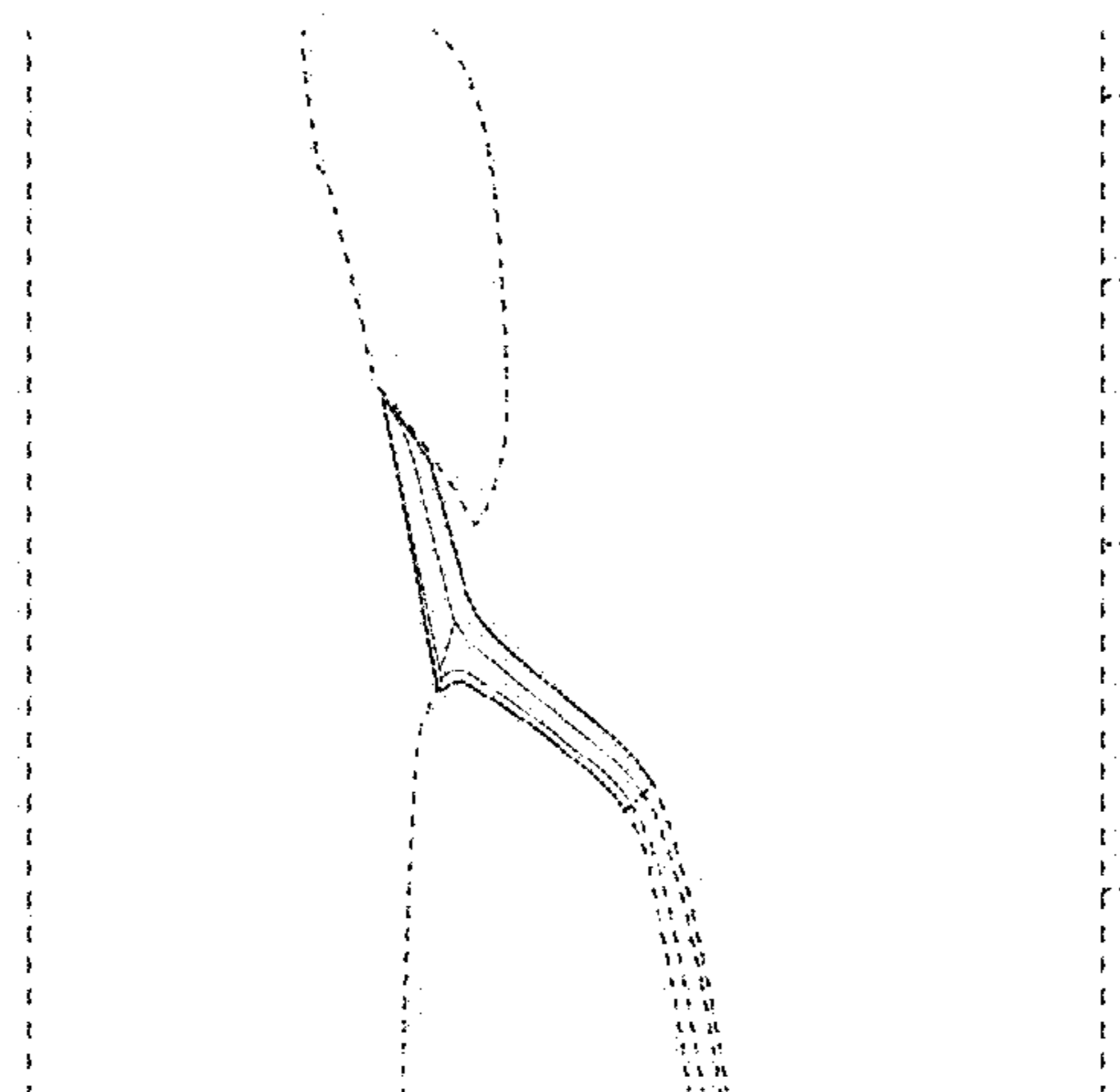


FIG.7

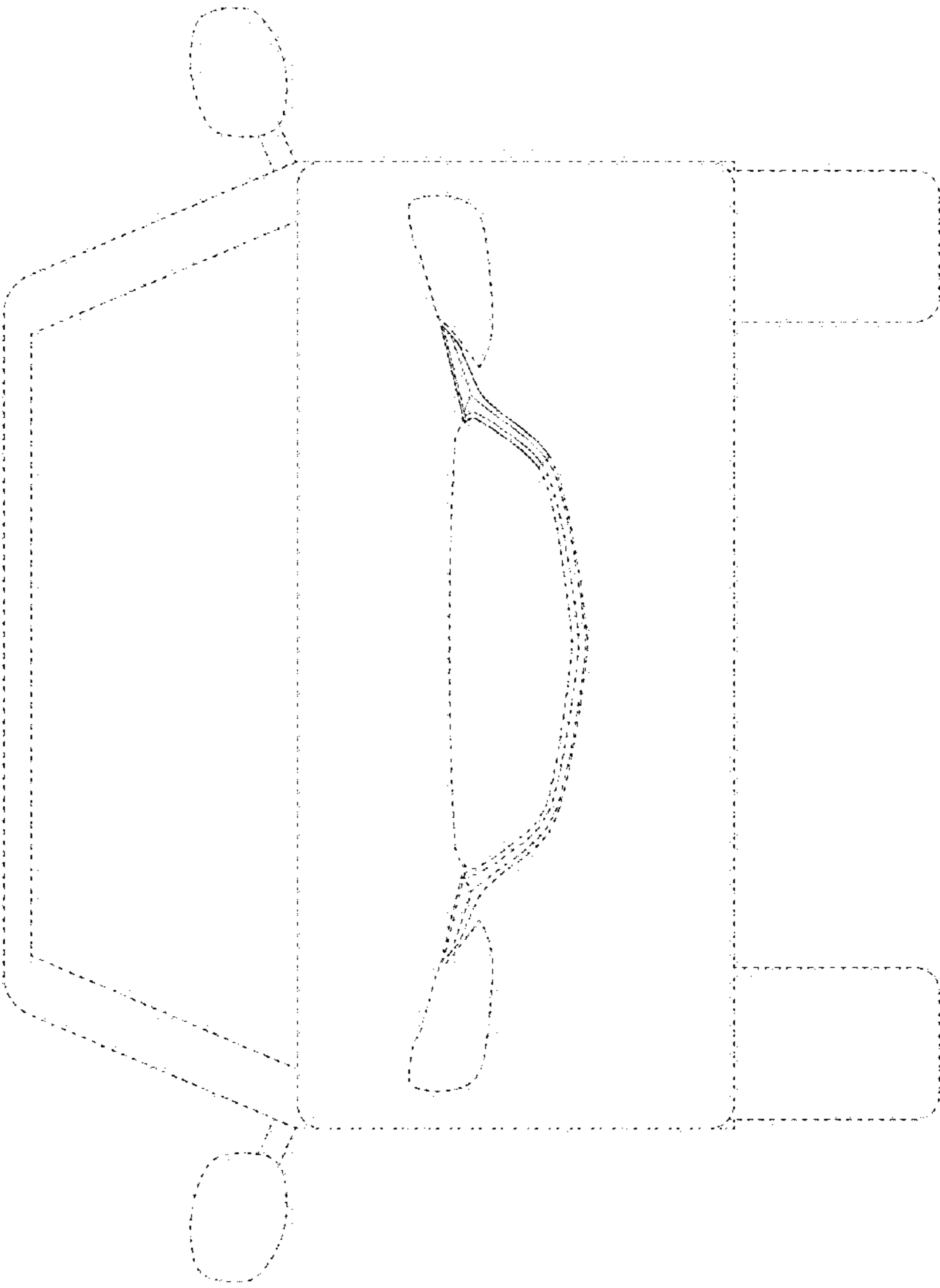


FIG. 8