

US00D760135S

(12) **United States Design Patent**
Schoonover

(10) **Patent No.:** **US D760,135 S**
(45) **Date of Patent:** **** Jun. 28, 2016**

- (54) **SLIDE OUT SEAL**
- (71) Applicant: **LTI Flexible Products, Inc.**, Modesto, CA (US)
- (72) Inventor: **James Schoonover**, Shelby Township, MI (US)
- (73) Assignee: **LTI Flexible Products, Inc.**, Rogers, MN (US)
- (**) Term: **14 Years**
- (21) Appl. No.: **29/493,391**
- (22) Filed: **Jun. 9, 2014**
- (51) **LOC (10) Cl.** **12-16**
- (52) **U.S. Cl.**
USPC **D12/190**
- (58) **Field of Classification Search**
USPC D12/190, 106, 192, 400, 90, 91, 92,
D12/197, 86, 171, 169, 163, 110, 114;
D11/211, 81; D20/11, 23, 24, 25, 30,
D20/31, 32
CPC B60J 10/35; B60J 10/0011; B60J 10/02
See application file for complete search history.

D606,474 S *	12/2009	Schlater	D12/190
D636,313 S *	4/2011	Schlater	D12/190
D651,146 S *	12/2011	Schoonover	D12/190
D746,202 S *	12/2015	Schlater	D12/190
D746,203 S *	12/2015	Schlater	D12/190
D746,745 S *	1/2016	Schoonover	D12/190

* cited by examiner

Primary Examiner — Katrina A Betton
(74) *Attorney, Agent, or Firm* — Botkin & Hall, LLP

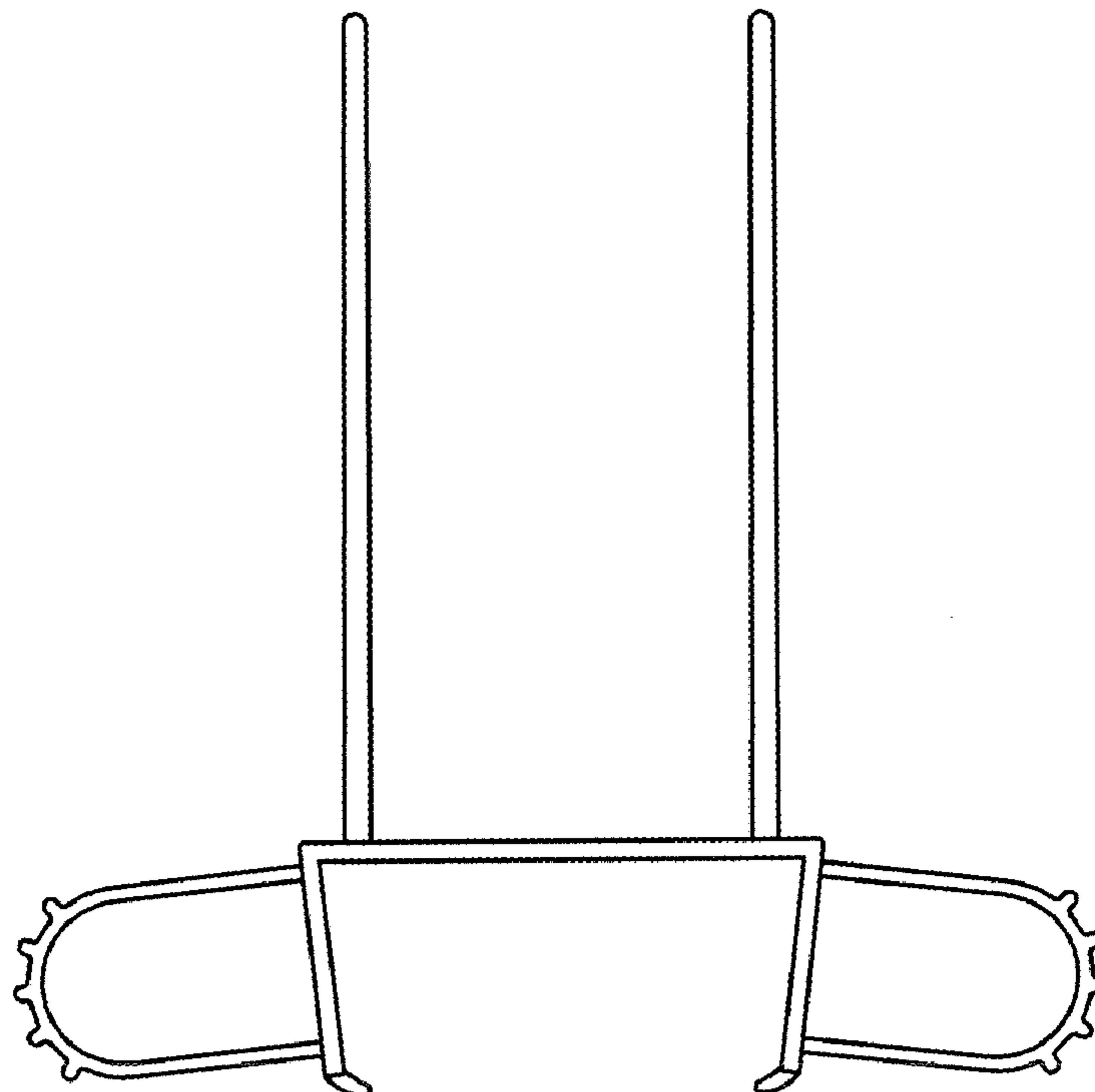
(57) **CLAIM**
The ornamental design for a slide out seal, as shown and described.

DESCRIPTION

FIG. 1 is a perspective view of a slide out seal, in accordance with the present invention;
 FIG. 2 is a front elevation view of the slide out seal of FIG. 1, in accordance with the present invention;
 The rear elevation view of the slide out seal is a mirror image of that shown in FIG. 2;
 FIG. 3 is a top plan view of the slide out seal of FIGS. 1-2, in accordance with the present invention;
 FIG. 4 is a left side elevation view of the slide out seal of FIGS. 1-3, in accordance with the present invention;
 FIG. 5 is a right side elevation view of the slide out seal of FIGS. 1-4, in accordance with the present invention; and,
 FIG. 6 is a bottom plan view of the slide out seal of FIGS. 1-5, in accordance with the present invention.

1 Claim, 3 Drawing Sheets

- (56) **References Cited**
U.S. PATENT DOCUMENTS
D598,350 S * 8/2009 Schlater D12/190
D598,351 S * 8/2009 Schlater D12/190
D606,473 S * 12/2009 Schlater D12/190



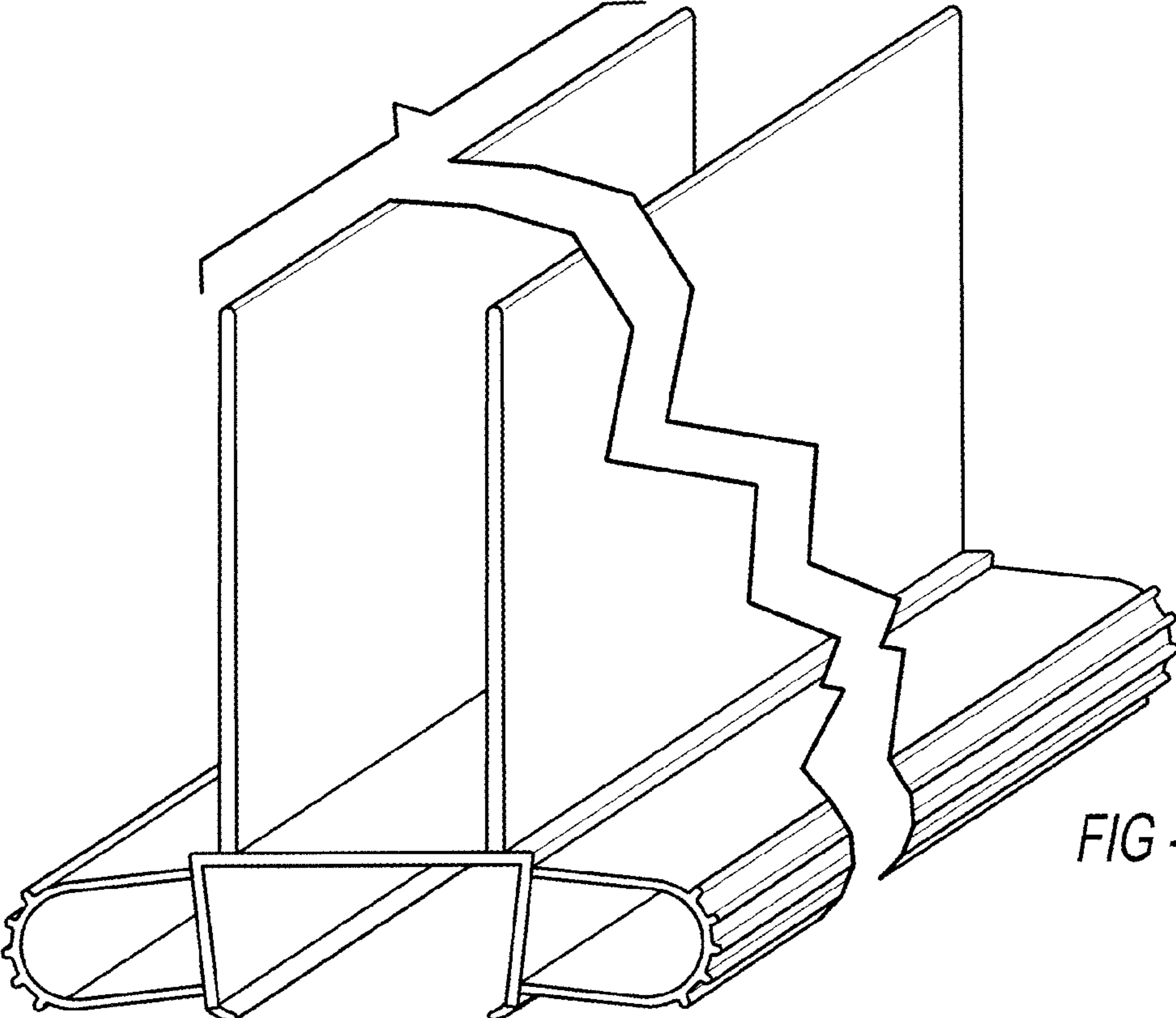
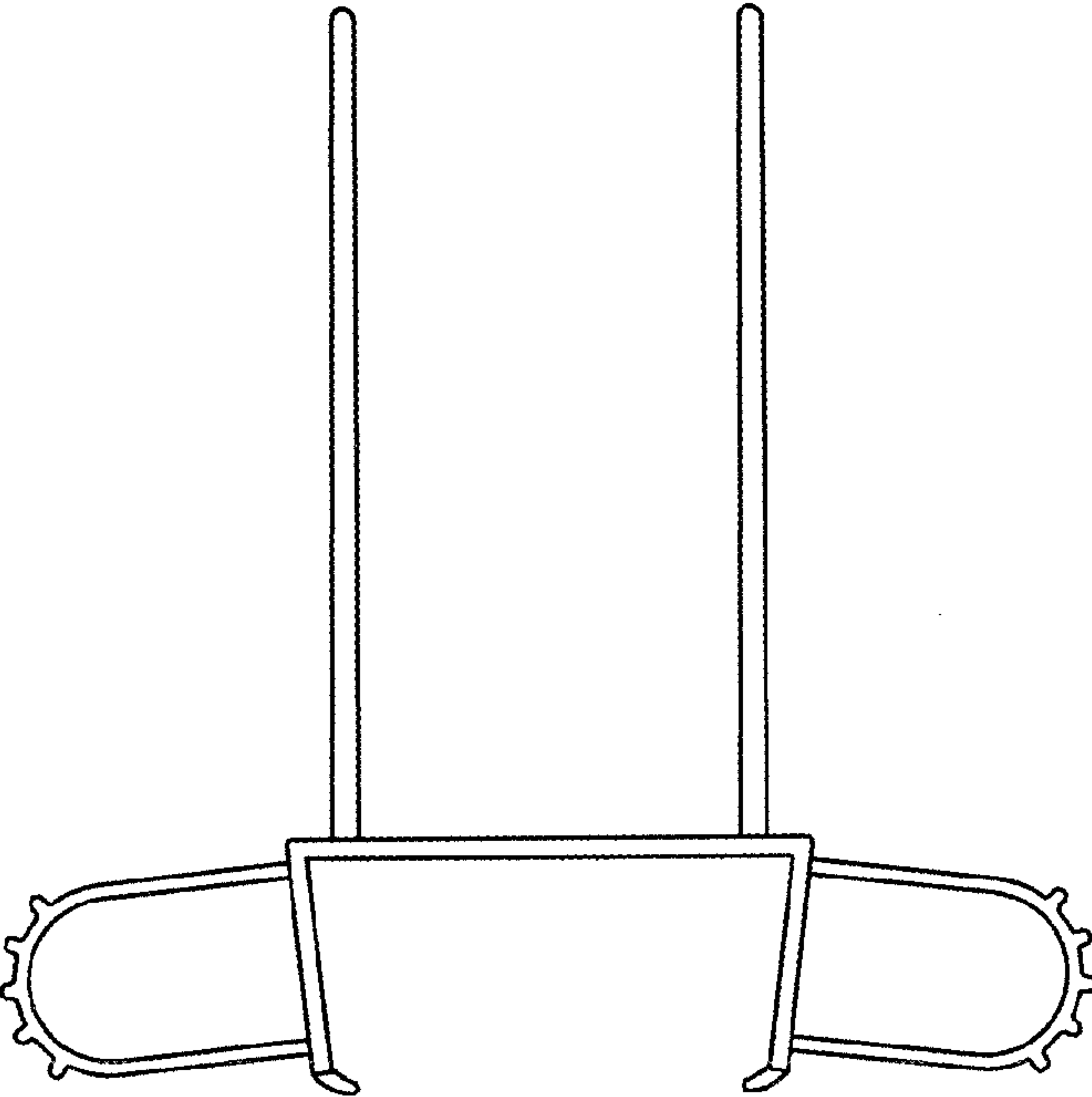


FIG - 1

FIG - 2



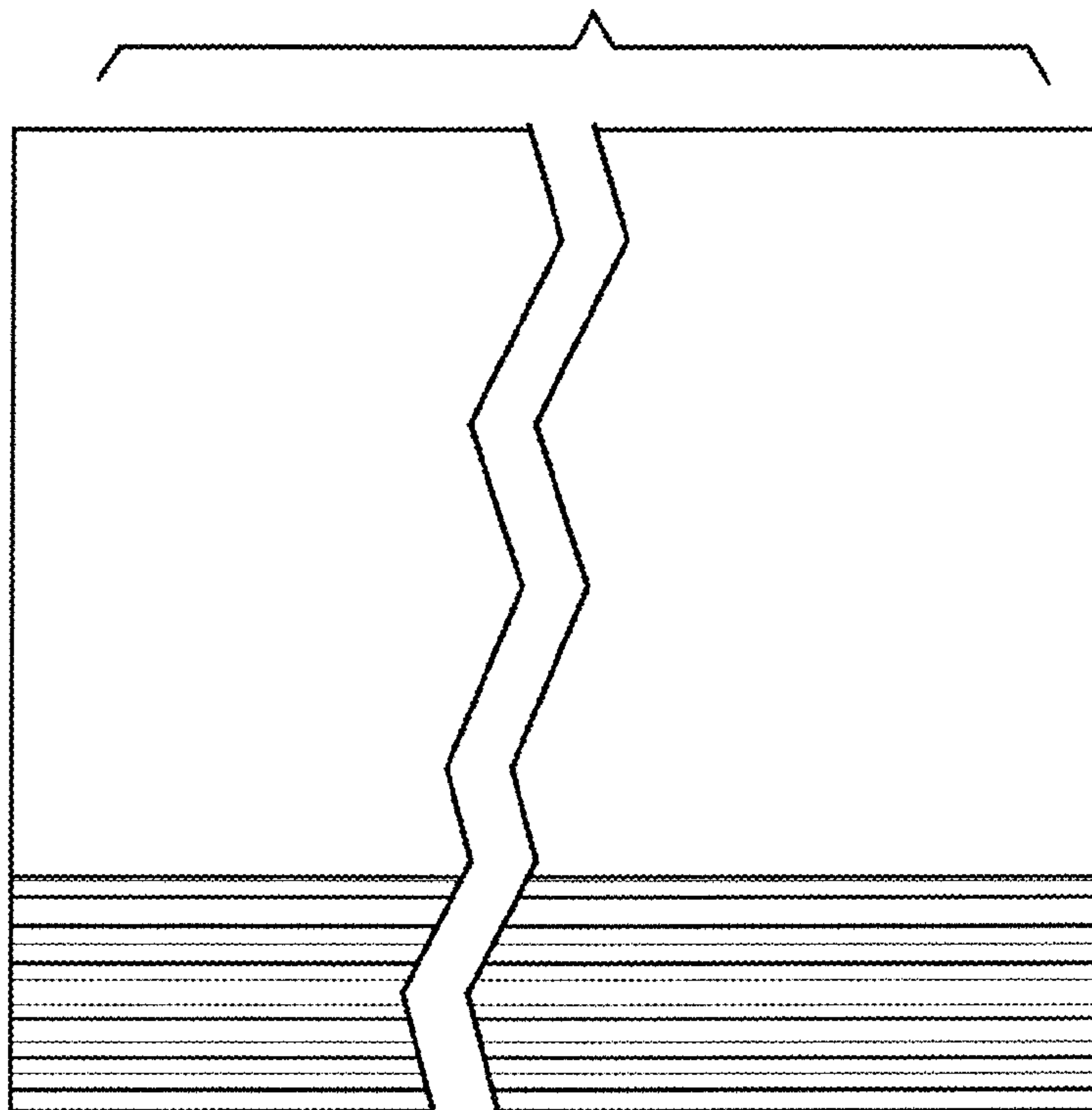
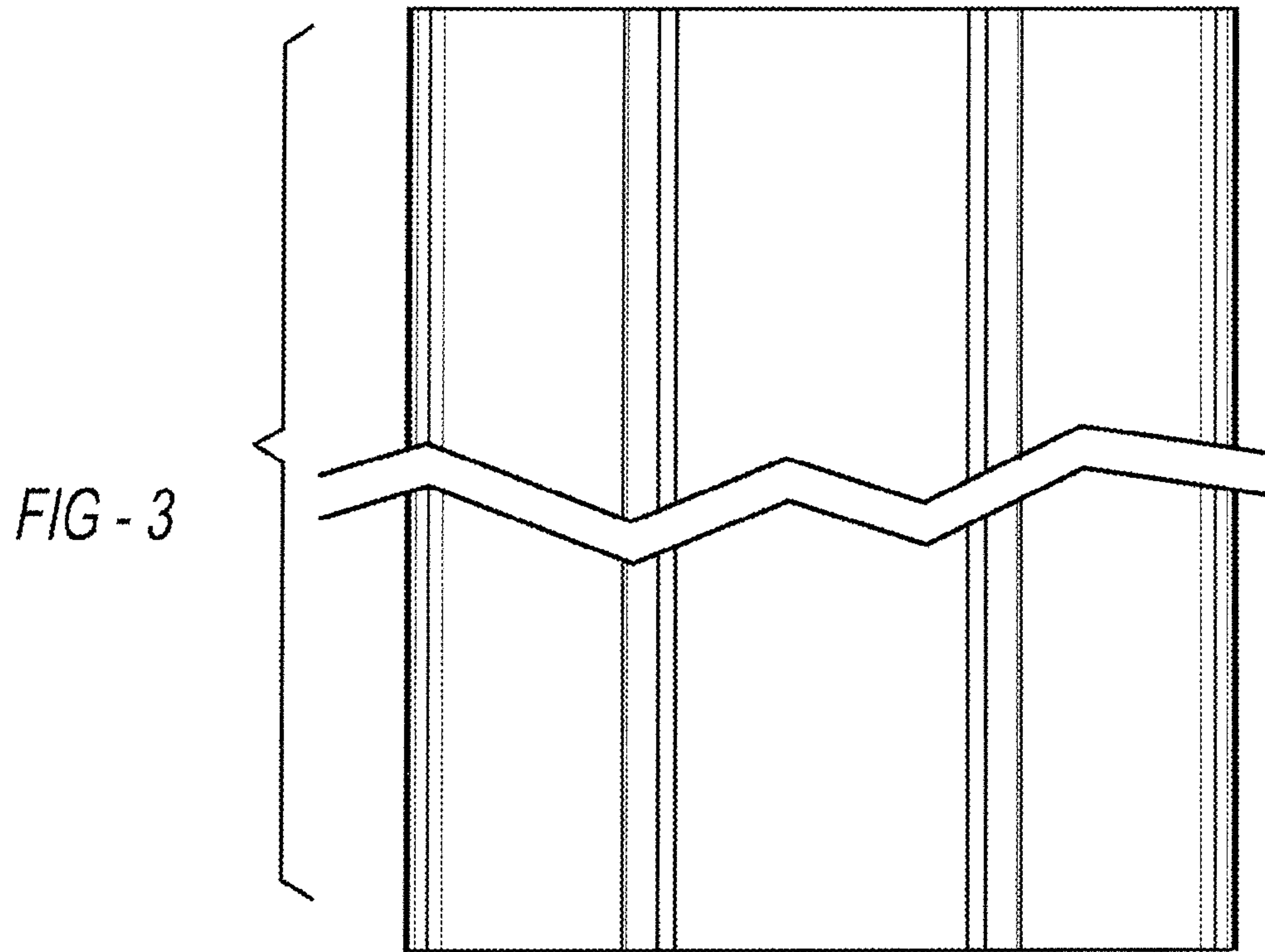


FIG - 4

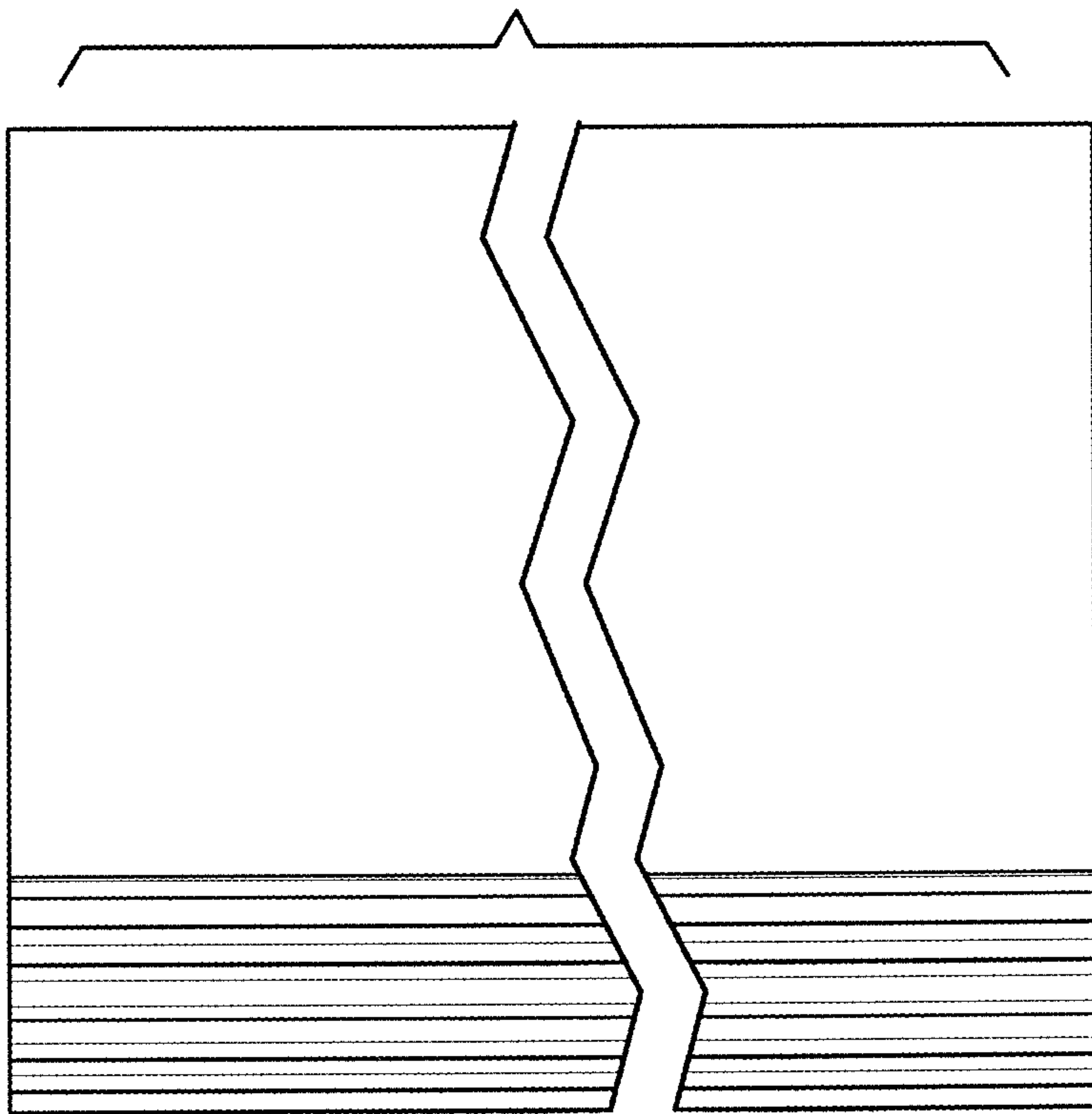


FIG - 5

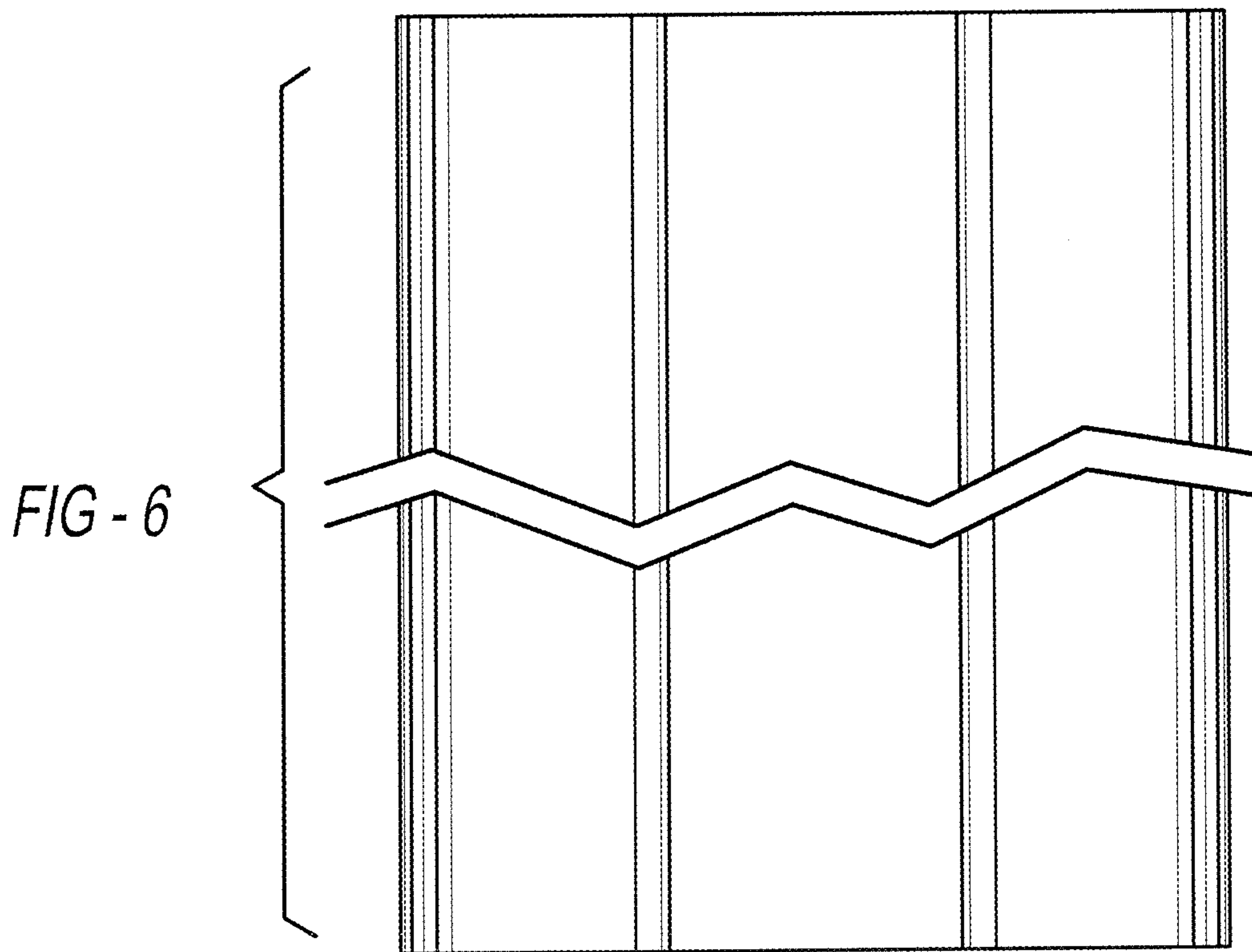


FIG - 6