

US00D760133S

(12) **United States Design Patent**  
**Bennett et al.**

(10) **Patent No.:** **US D760,133 S**  
(45) **Date of Patent:** **\*\* Jun. 28, 2016**

- (54) **FRONT BUMPER FOR A VEHICLE**
- (71) Applicant: **Omix-Ada, Inc.**, Suwanee, GA (US)
- (72) Inventors: **Patrick W. Bennett**, Gainesville, GA (US); **Alain Eboli**, Lawrenceville, GA (US)
- (73) Assignee: **Omix-Ada, Inc.**, Suwanee, GA (US)
- (\*\*) Term: **14 Years**
- (21) Appl. No.: **29/508,103**
- (22) Filed: **Nov. 3, 2014**
- (51) **LOC (10) Cl.** ..... **12-16**
- (52) **U.S. Cl.**  
USPC ..... **D12/171**
- (58) **Field of Classification Search**  
USPC ..... D12/86, 90, 91, 92, 163, 164, 169, 171, 180/68.4, 68.6; 293/102, 293/112, 113, 115, 117, 120; 296/180.1, 296/180.2  
CPC ..... B60R 19/02; B60R 19/18; B60R 19/24; B60R 19/56; B60R 2019/007; B62D 25/0845  
See application file for complete search history.

D454,817 S *	3/2002	McGuiness	.....	D12/171
D455,684 S *	4/2002	McGuiness	.....	D12/171
D502,433 S *	3/2005	McClanahan	.....	D12/169
7,703,834 B1 *	4/2010	Hardy	.....	B60R 9/06 296/102
D722,927 S *	2/2015	Schroeder	.....	D12/171
D737,181 S *	8/2015	Smith	.....	D12/169
D743,856 S *	11/2015	Ma	.....	D12/171
2006/0192398 A1 *	8/2006	Buniewicz	.....	B60R 19/04 293/102

\* cited by examiner

*Primary Examiner* — Philip S Hyder  
*Assistant Examiner* — Darlington Ly

(74) *Attorney, Agent, or Firm* — Womble Carlyle Sandridge & Rice LLP

(57) **CLAIM**

The ornamental design for a front bumper for a vehicle, as shown and described.

**DESCRIPTION**

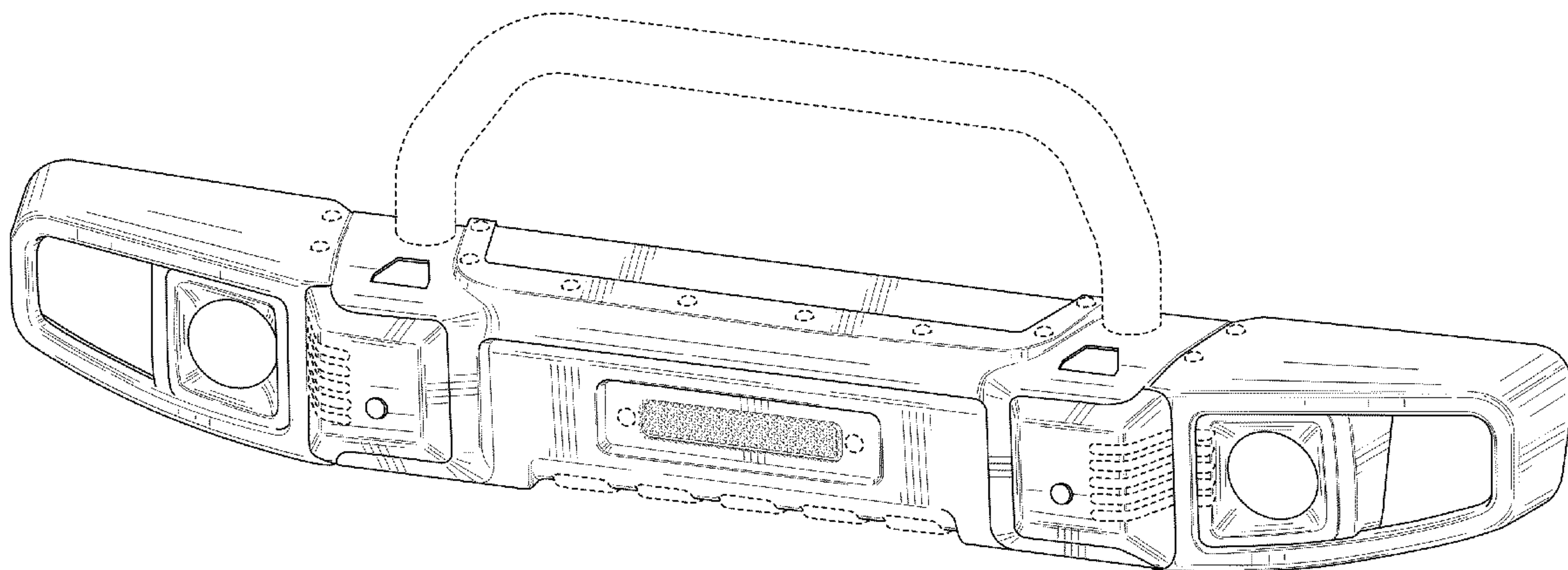
FIG. 1 is a perspective view of a front bumper for a vehicle showing our new design.  
FIG. 2 is a front view thereof  
FIG. 3 is a back view thereof.  
FIG. 4 is a top view thereof  
FIG. 5 is a bottom view thereof.  
FIG. 6 is a left side view thereof; and,  
FIG. 7 is a right side view thereof.  
The broken lines illustrate portions of the front bumper for a vehicle that form no part of the claimed design.

**1 Claim, 5 Drawing Sheets**

(56) **References Cited**

U.S. PATENT DOCUMENTS

D300,128 S *	3/1989	Brennan	.....	D12/169
D375,067 S *	10/1996	Bronstein	.....	D12/169
D432,469 S *	10/2000	Nelson	.....	D12/169
D454,099 S *	3/2002	McGuiness	.....	D12/171
D454,525 S *	3/2002	McGuiness	.....	D12/171



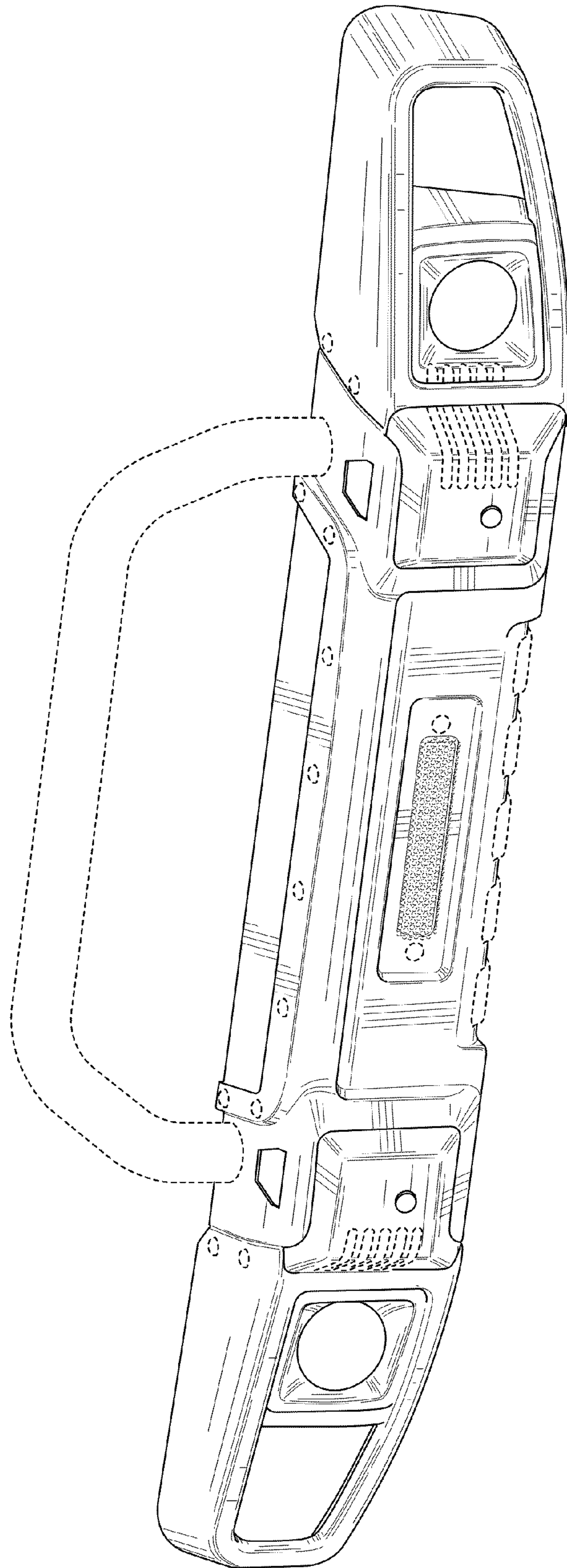


FIG. 1

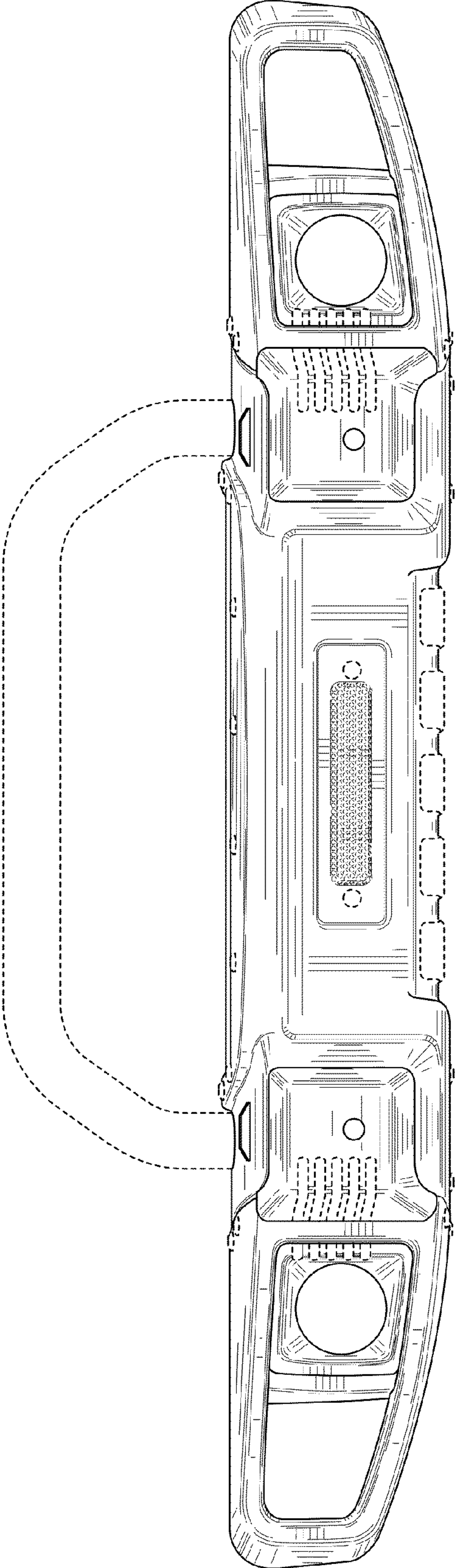


FIG. 2



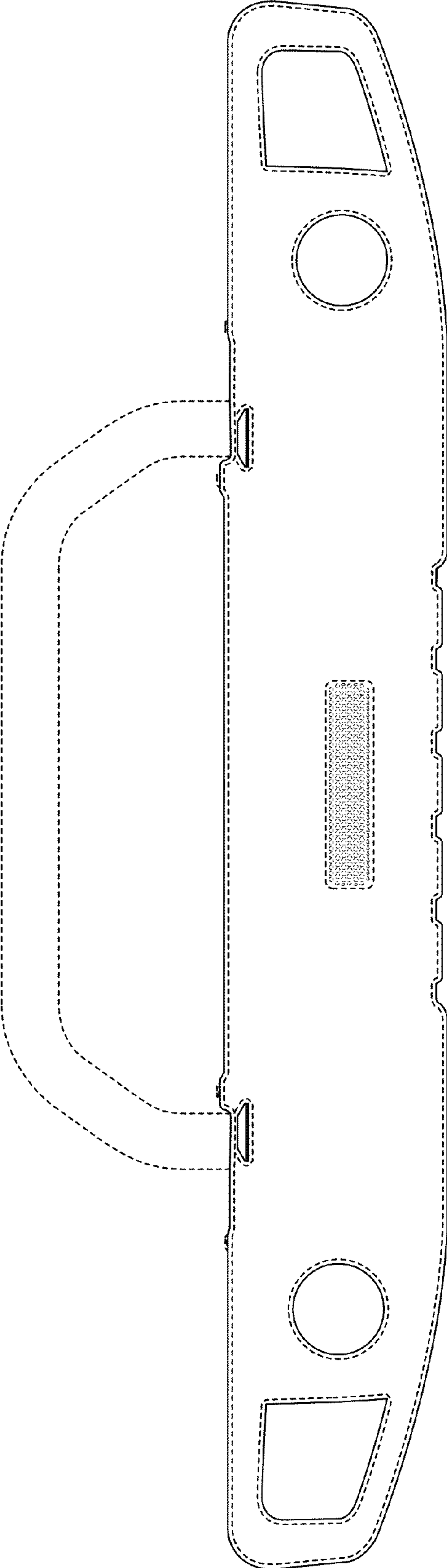


FIG. 3

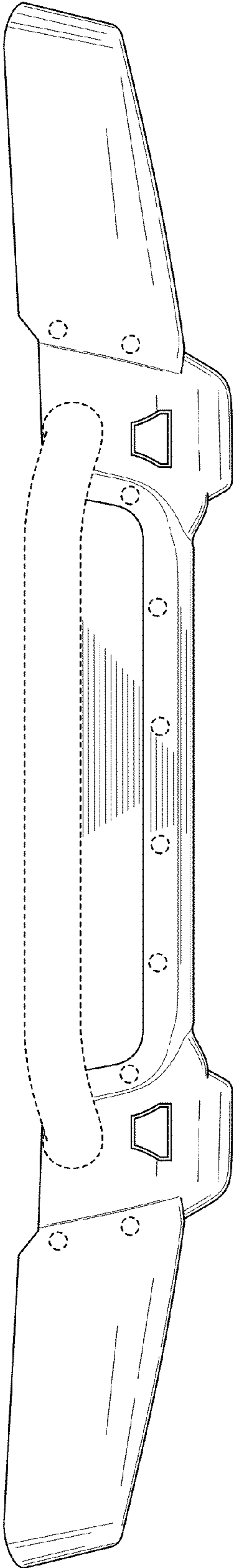


FIG. 4

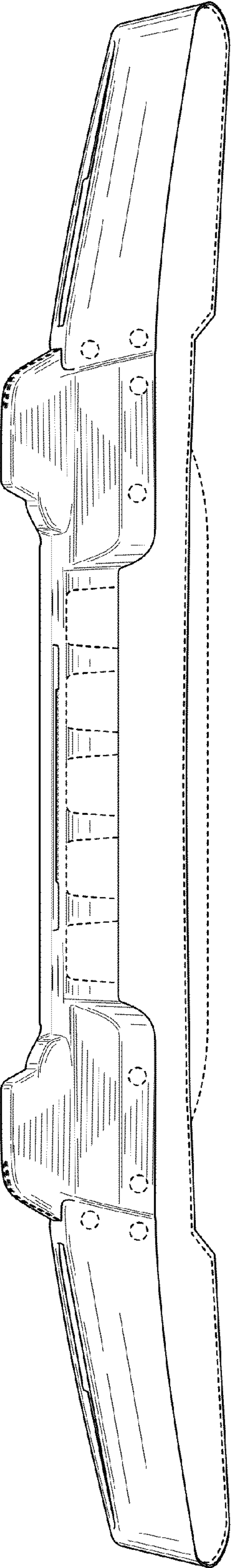


FIG. 5

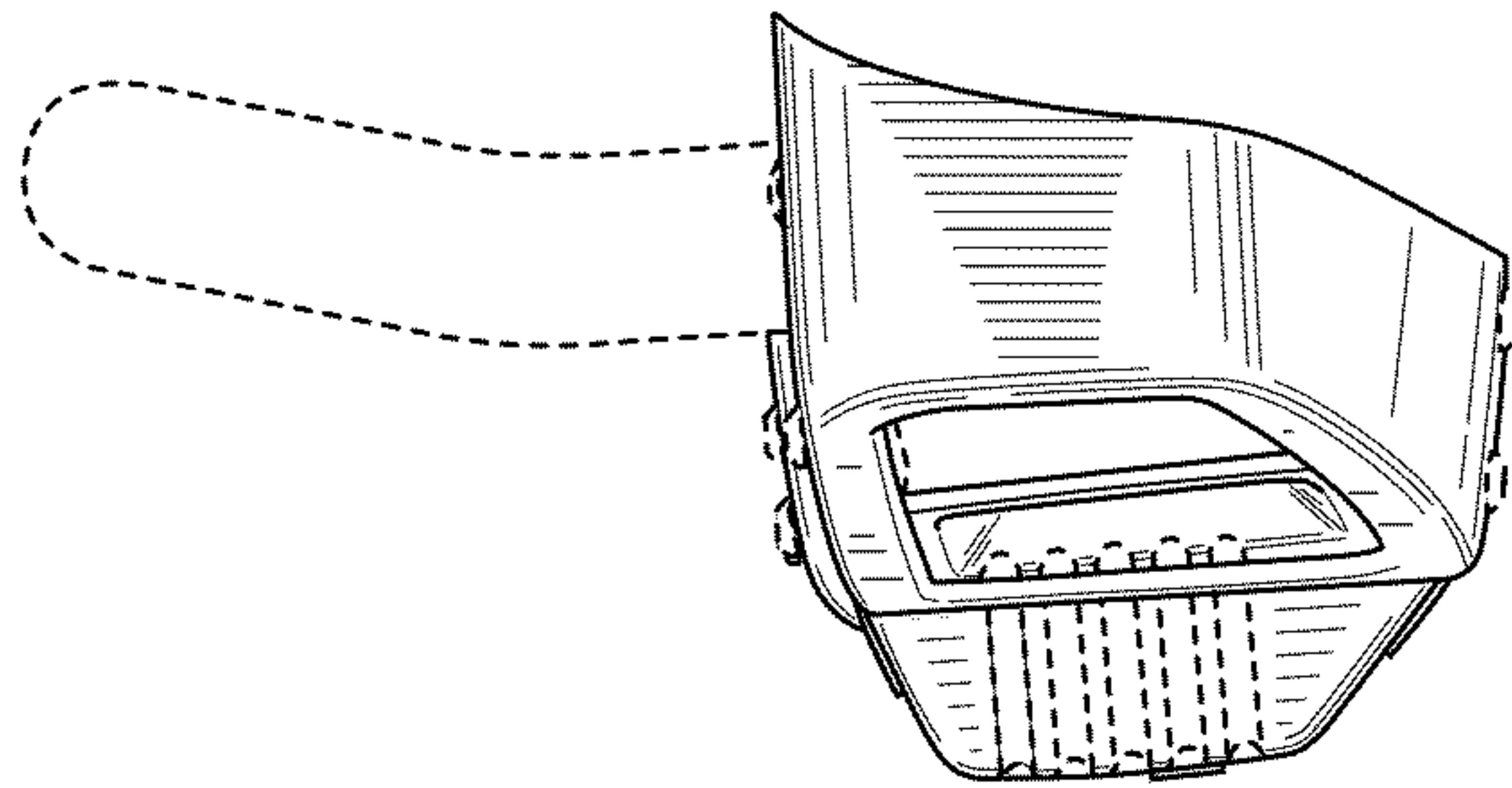


FIG. 7

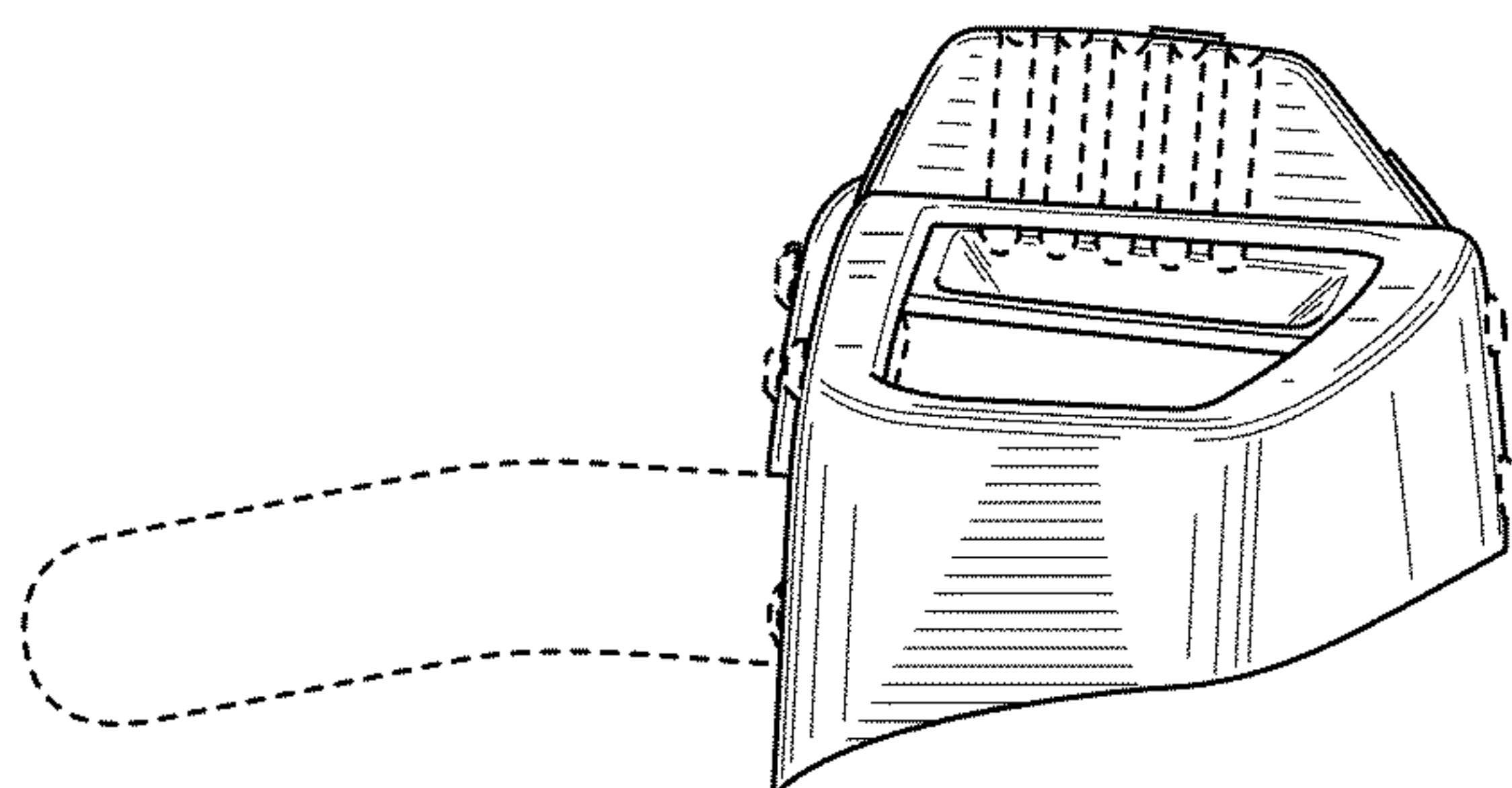


FIG. 6