

US00D760127S

(12) **United States Design Patent**
Yamamoto et al.

(10) **Patent No.:** **US D760,127 S**
(45) **Date of Patent:** **** Jun. 28, 2016**

(54) **FRONT BUMPER FOR AUTOMOBILE**

FOREIGN PATENT DOCUMENTS

(71) Applicant: **Nissan Motor Co., Ltd.**, Yokohama,
Kanagawa (JP)

JP D1400595 S 11/2010
JP D1426524 S 11/2011
JP D1499097 S 6/2014

(72) Inventors: **Kenji Yamamoto**, Tokyo (JP); **Jaesang Lee**, Tokyo (JP); **Jungkyu Choi**,
Kanagawa (JP)

OTHER PUBLICATIONS

(73) Assignee: **Nissan Motor Co., Ltd.**, Yokohama (JP)

<http://nissannews.com/en-US/nissan/usa/releases/2015-nissan-370z-nismo-makes-surprises-world-debut-at-horth-carolina-zdays-event?page=17> query regarding new Nissan 370Z Nismo publicly announced on May 16, 2014 in North Carolina, US.
http://car.watch.impress.co.jp/docs/news120140521_649639.html regarding new Nissan 370Z Nismo publicly announced on May 16, 2014 in North Carolina, US.

(**) Term: **14 Years**

(21) Appl. No.: **29/510,778**

* cited by examiner

(22) Filed: **Dec. 3, 2014**

(51) **LOC (10) Cl.** **12-16**

Primary Examiner — Melody N Brown

(52) **U.S. Cl.**
USPC **D12/169**

(74) *Attorney, Agent, or Firm* — Global IP Counselors, LLP

(58) **Field of Classification Search**
USPC D12/169, 216, 90-92, 86, 171, 196,
D12/163; 293/102, 113, 115, 117, 120;
296/180.1, 180.2

(57) **CLAIM**

The ornamental design for a front bumper for an automobile, as shown and described.

CPC . B60R 19/52; B60R 2019/25; B62D 25/0845
See application file for complete search history.

DESCRIPTION

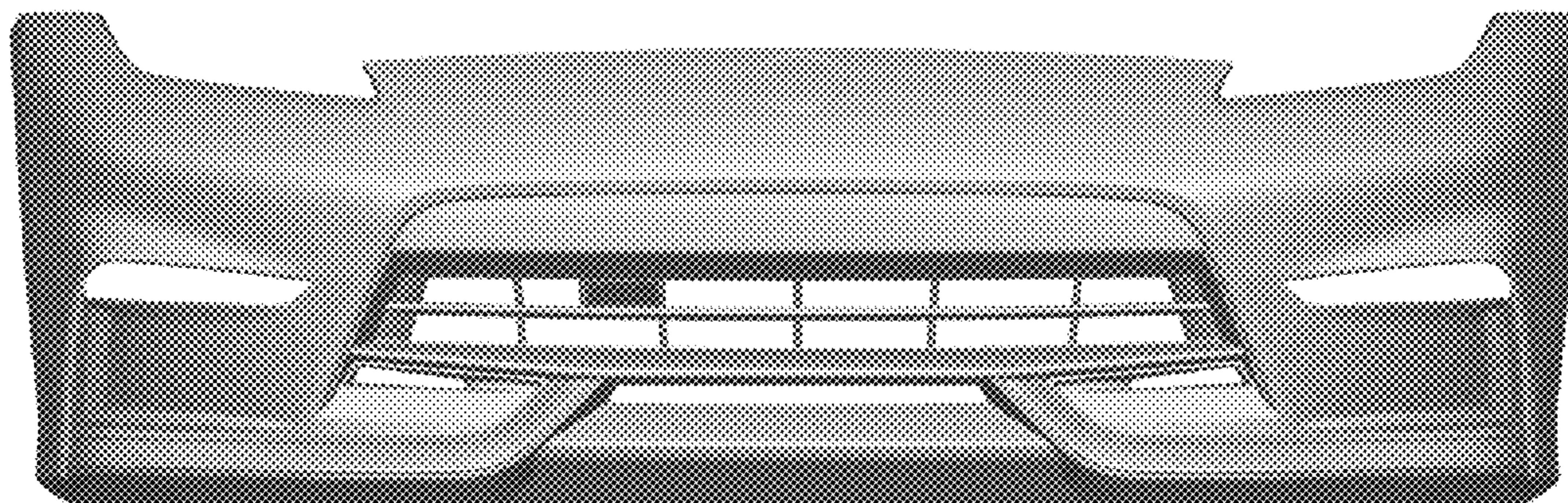
(56) **References Cited**

FIG. 1 is a front elevational view of a front bumper for an automobile showing our new design;
FIG. 2 is a top plan view thereof;
FIG. 3 is a bottom plan view thereof;
FIG. 4 is a right side elevational view thereof;
FIG. 5 is a left side elevational thereof;
FIG. 6 is a top, front and right side perspective view thereof; and,
FIG. 7 is a bottom, front and left side perspective view thereof.

U.S. PATENT DOCUMENTS

D600,175 S	9/2009	Yamazaki et al.	
D634,681 S	3/2011	Hirabayashi	
D680,478 S *	4/2013	Munakata	D12/169
D680,923 S	4/2013	Koizumi et al.	
D684,904 S	6/2013	Tase et al.	
D698,707 S *	2/2014	Nakamura	D12/169
D708,997 S *	7/2014	Koizumi	D12/169
D740,729 S *	10/2015	Yamamoto	D12/169
D749,999 S *	2/2016	Curic	D12/169

1 Claim, 7 Drawing Sheets



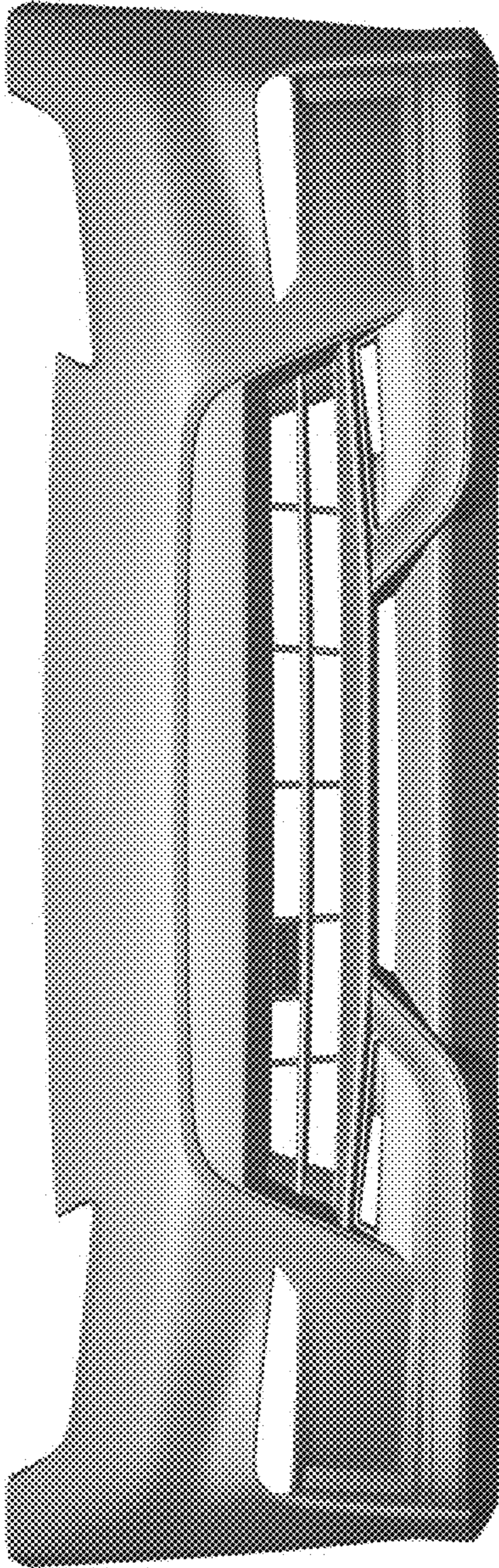


FIG. 1



FIG. 2

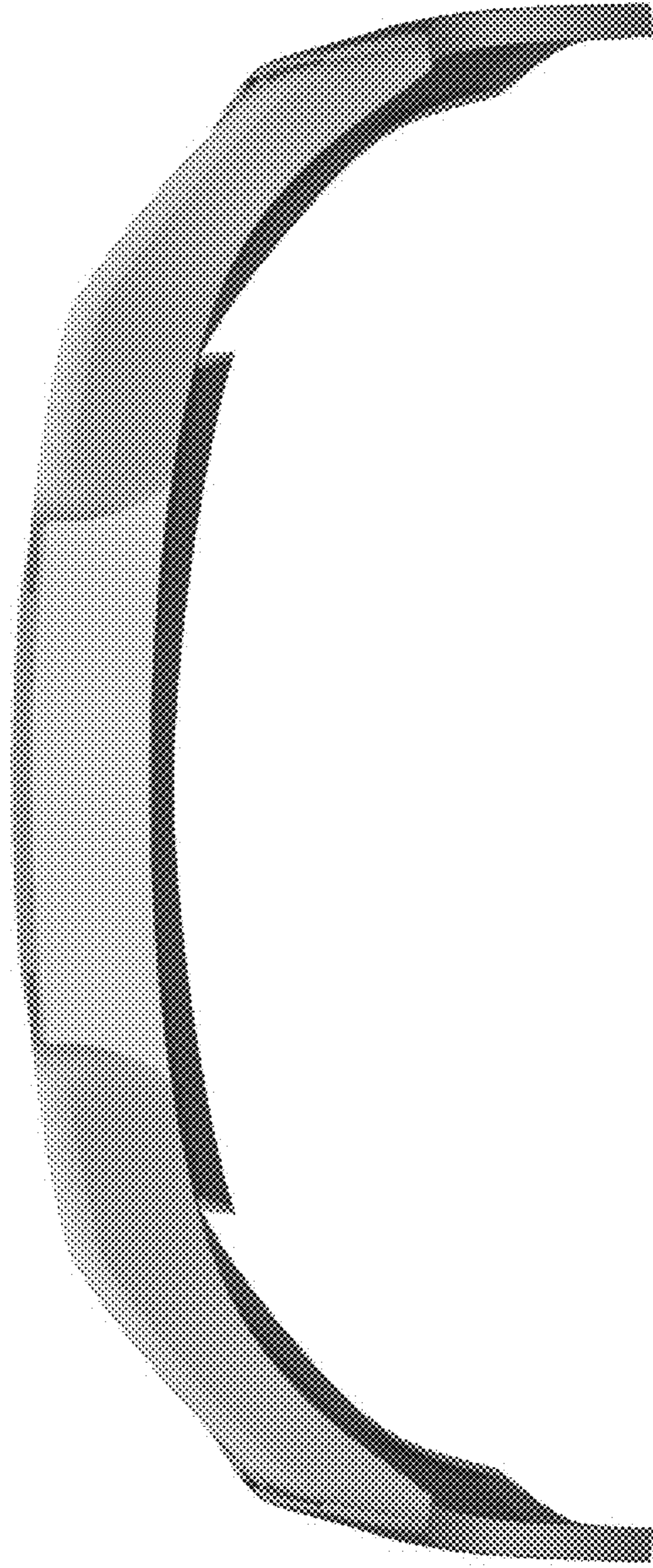


FIG. 3

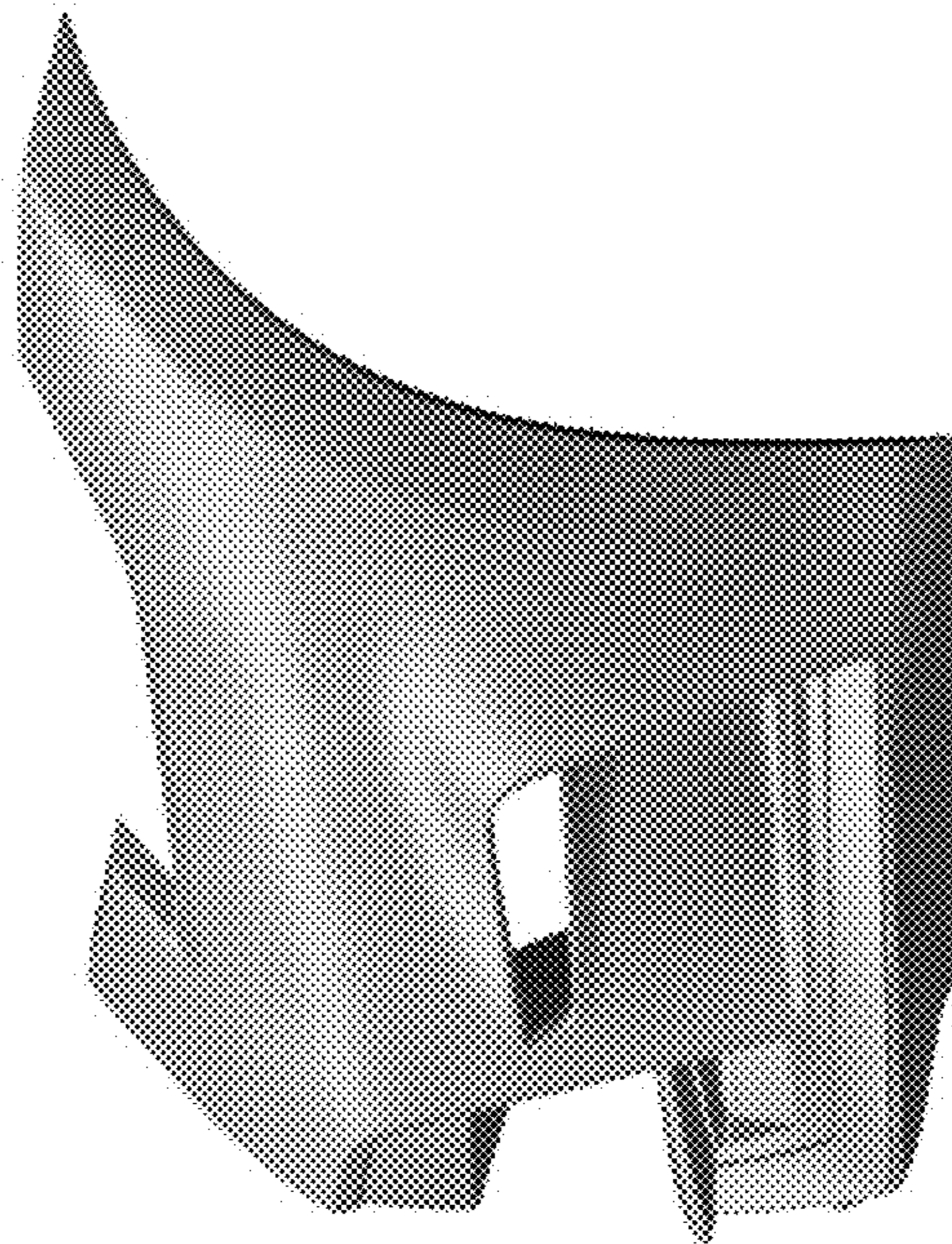


FIG. 4

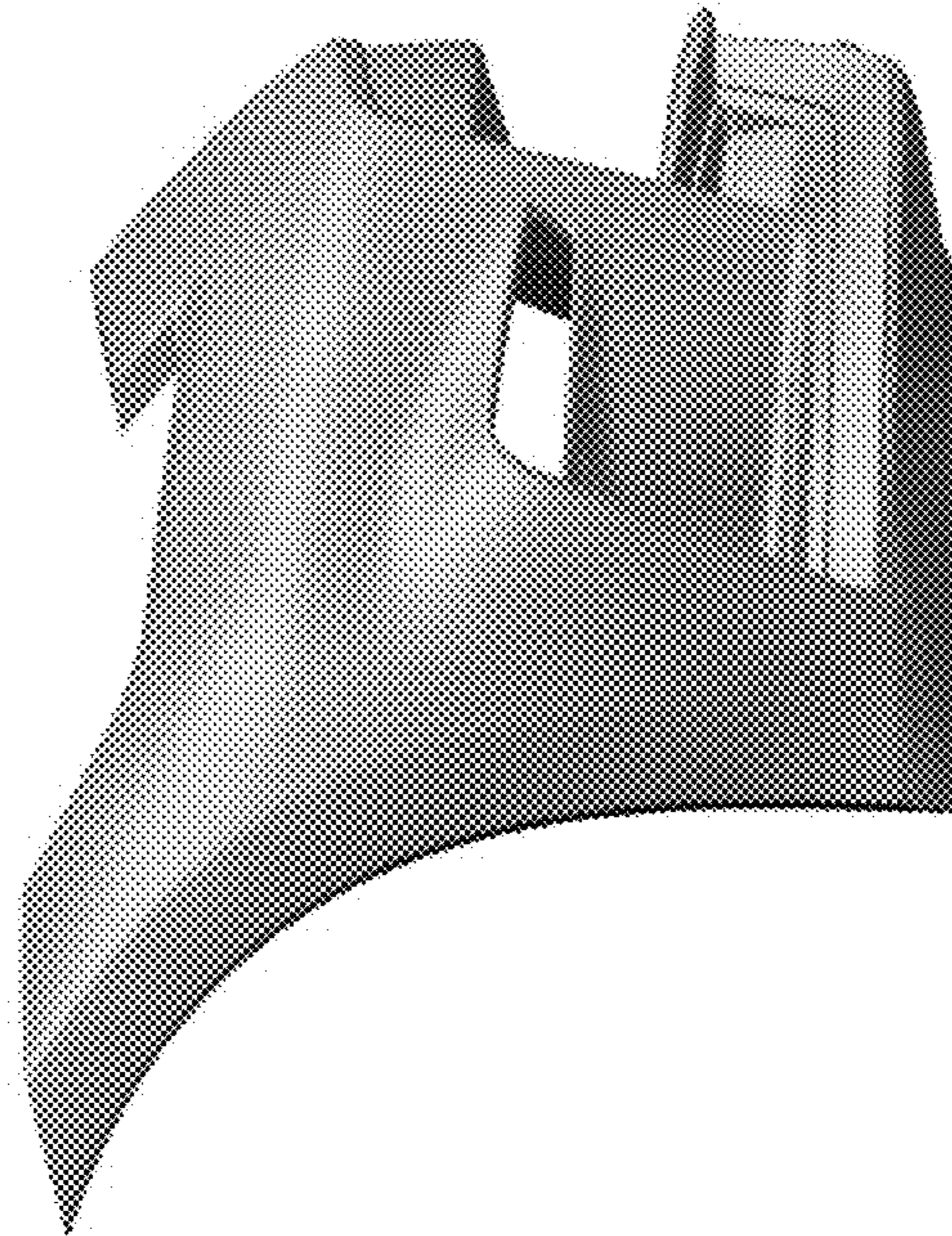


FIG. 5

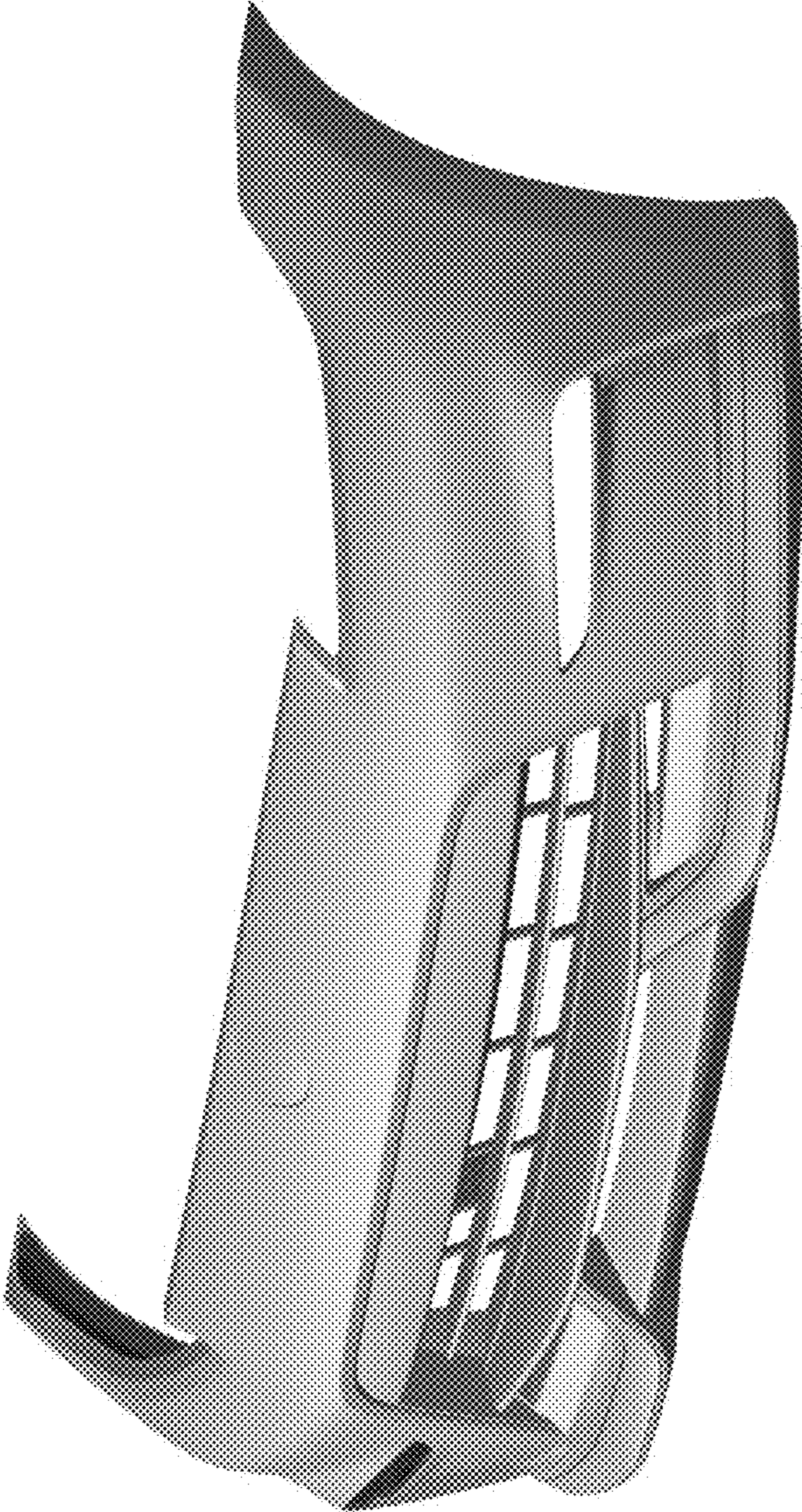


FIG. 6

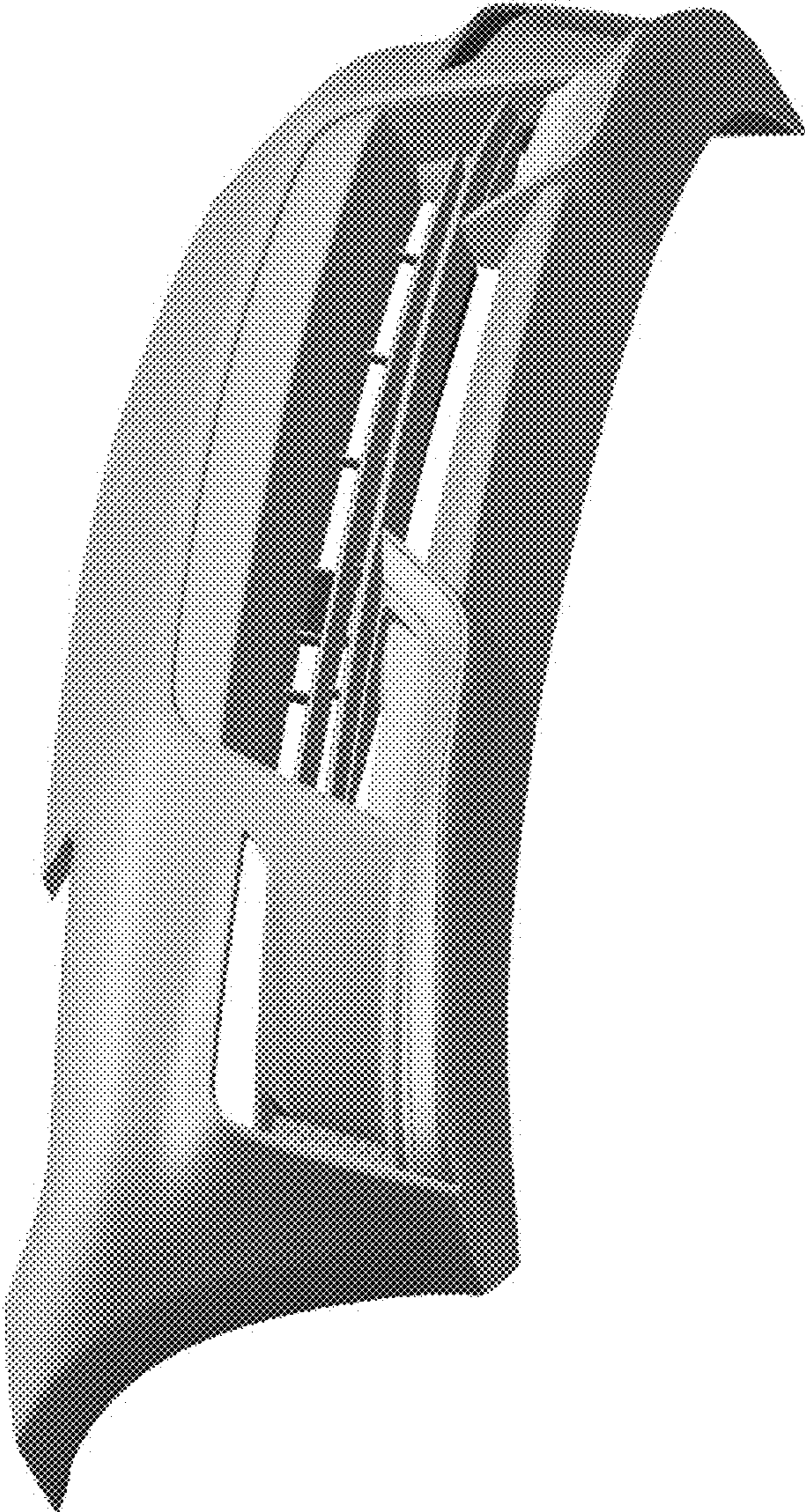


FIG. 7