

US00D760124S

(12) **United States Design Patent**
Rabska

(10) **Patent No.:** **US D760,124 S**
(45) **Date of Patent:** **** Jun. 28, 2016**

(54) **LUNETTE RING**

(71) Applicant: **Cequent Performance Products, Inc.**,
Plymouth, MI (US)

(72) Inventor: **Kevin Rabska**, Junction City, WI (US)

(73) Assignee: **Cequent Performance Products, Inc.**,
Plymouth, MI (US)

(**) Term: **14 Years**

(21) Appl. No.: **29/496,306**

(22) Filed: **Jul. 11, 2014**

Related U.S. Application Data

(62) Division of application No. 29/416,116, filed on Mar. 19, 2012, now Pat. No. Des. 710,263.

(51) **LOC (10) Cl.** **12-16**

(52) **U.S. Cl.**
USPC **D12/162**

(58) **Field of Classification Search**
USPC D12/162, 159, 160, 161
CPC B60D 1/065; B60D 1/00; B60D 1/60;
B60D 1/06

See application file for complete search history.

(56) **References Cited**

U.S. PATENT DOCUMENTS

1,408,501 A 3/1922 Clement
1,635,659 A 7/1927 Clement
1,739,986 A 12/1929 Frederick

2,340,786 A 2/1944 Winn
2,429,761 A 10/1947 Ketel
2,609,213 A 9/1952 Buckendale et al.
5,332,251 A * 7/1994 Farquhar B60D 1/60
280/507
D417,133 S * 11/1999 Niswanger D8/331
6,918,726 B1 * 7/2005 Kerr F16B 39/34
411/247
D581,248 S * 11/2008 Wu D8/343
D596,921 S * 7/2009 Hageman D8/330
7,959,179 B1 6/2011 Merchant
D658,970 S 5/2012 Wyers
D710,263 S * 8/2014 Rabska D12/162

* cited by examiner

Primary Examiner — Katrina A Betton

(74) *Attorney, Agent, or Firm* — McDonald Hopkins LLC

(57) **CLAIM**

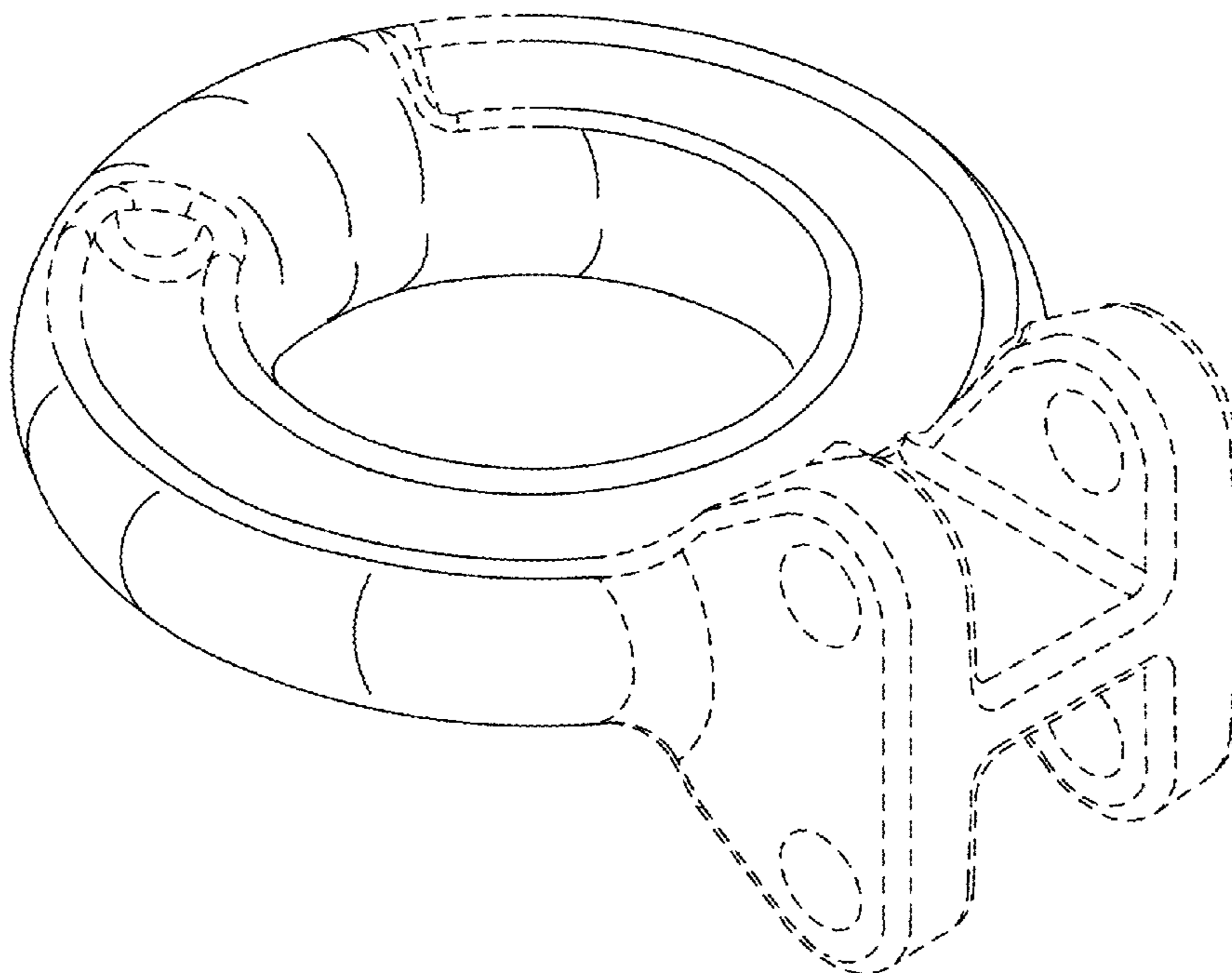
The ornamental design of a lunette ring, as shown and described.

DESCRIPTION

FIG. 1 is a rear, top perspective view of a lunette ring showing my new design;
FIG. 2 is a right side view thereof;
FIG. 3 is a rear view thereof;
FIG. 4 is a left side view thereof;
FIG. 5 is a top view thereof;
FIG. 6 is a front view thereof; and,
FIG. 7 is a bottom view thereof.

The broken lines in the figures are included for the purpose of illustrating portions of the lunette body and form no part of the claimed design.

1 Claim, 4 Drawing Sheets



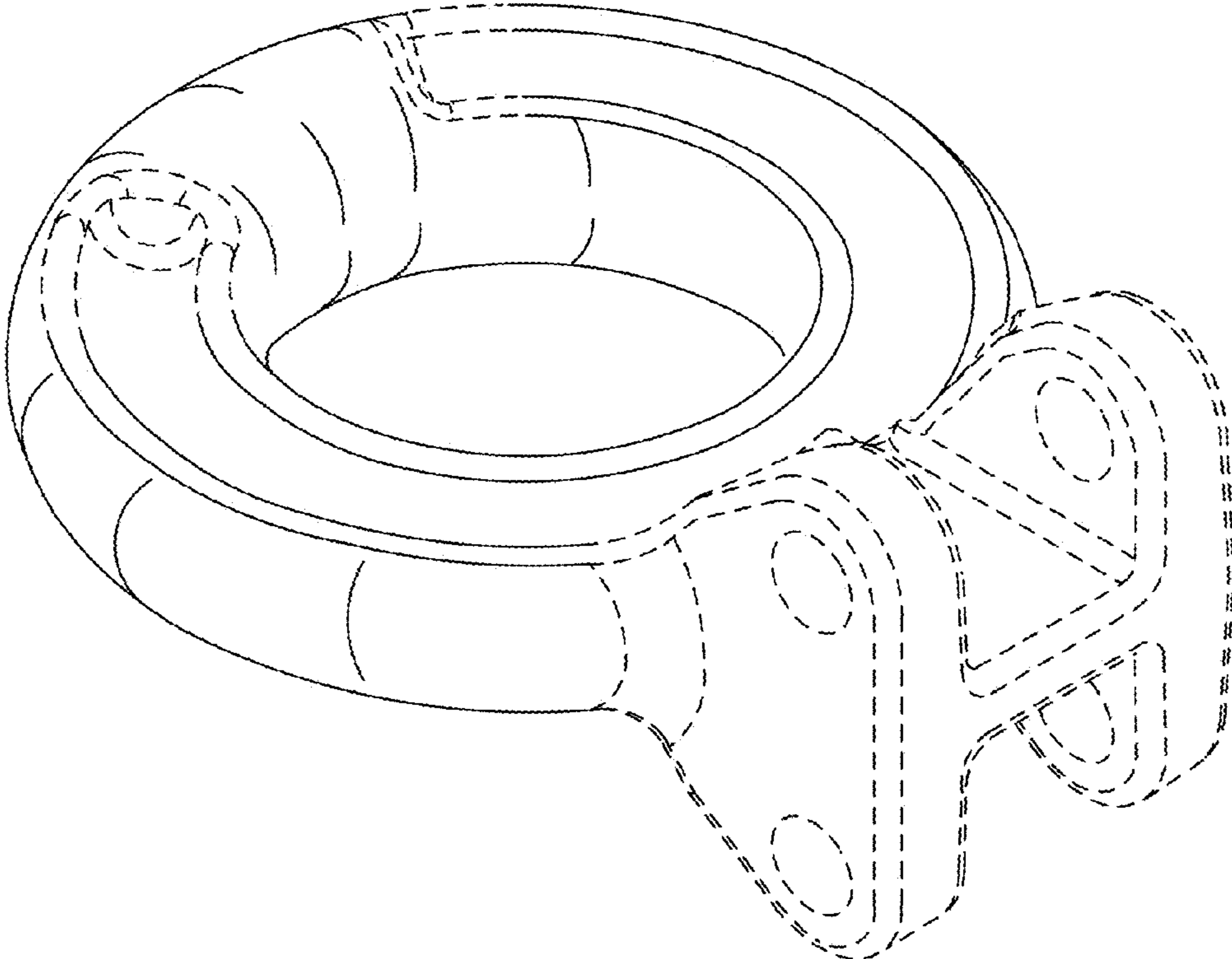


FIG. 1

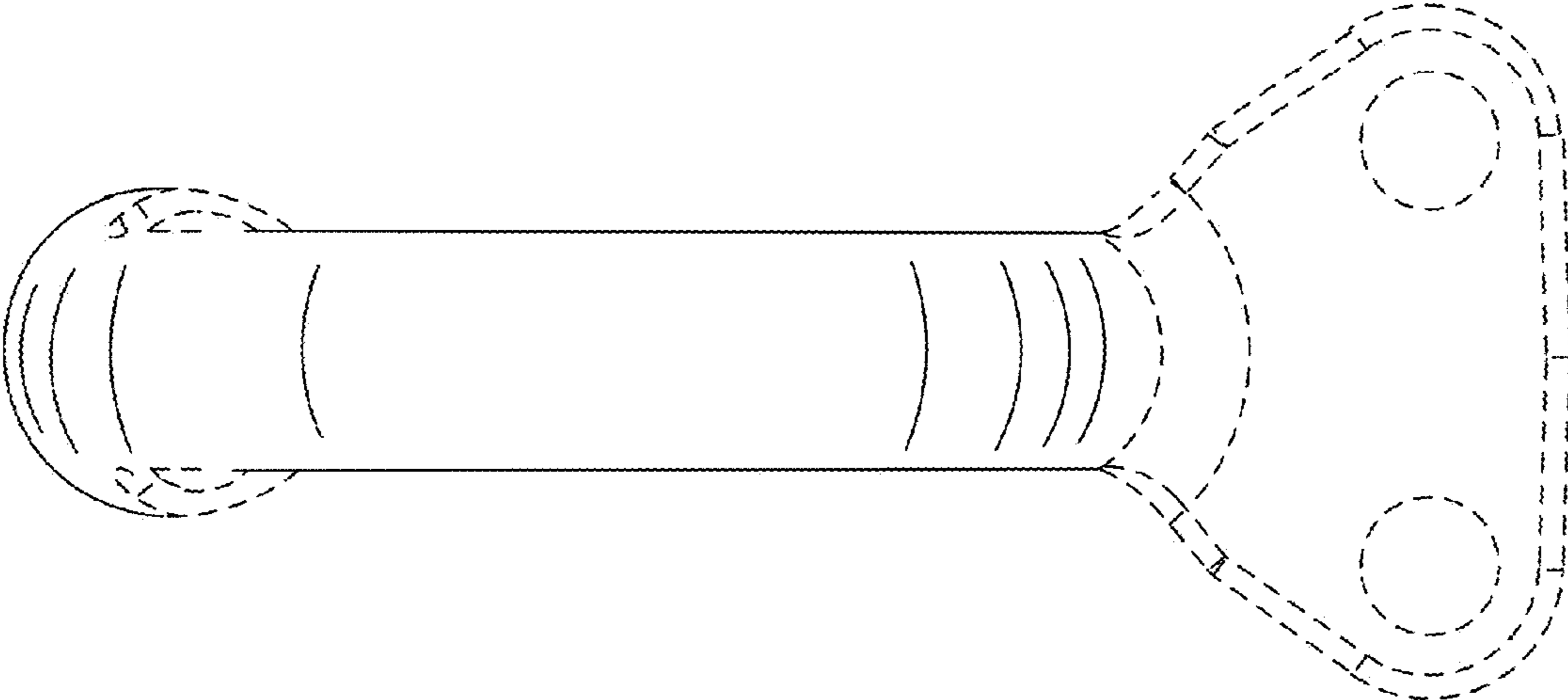


FIG. 2

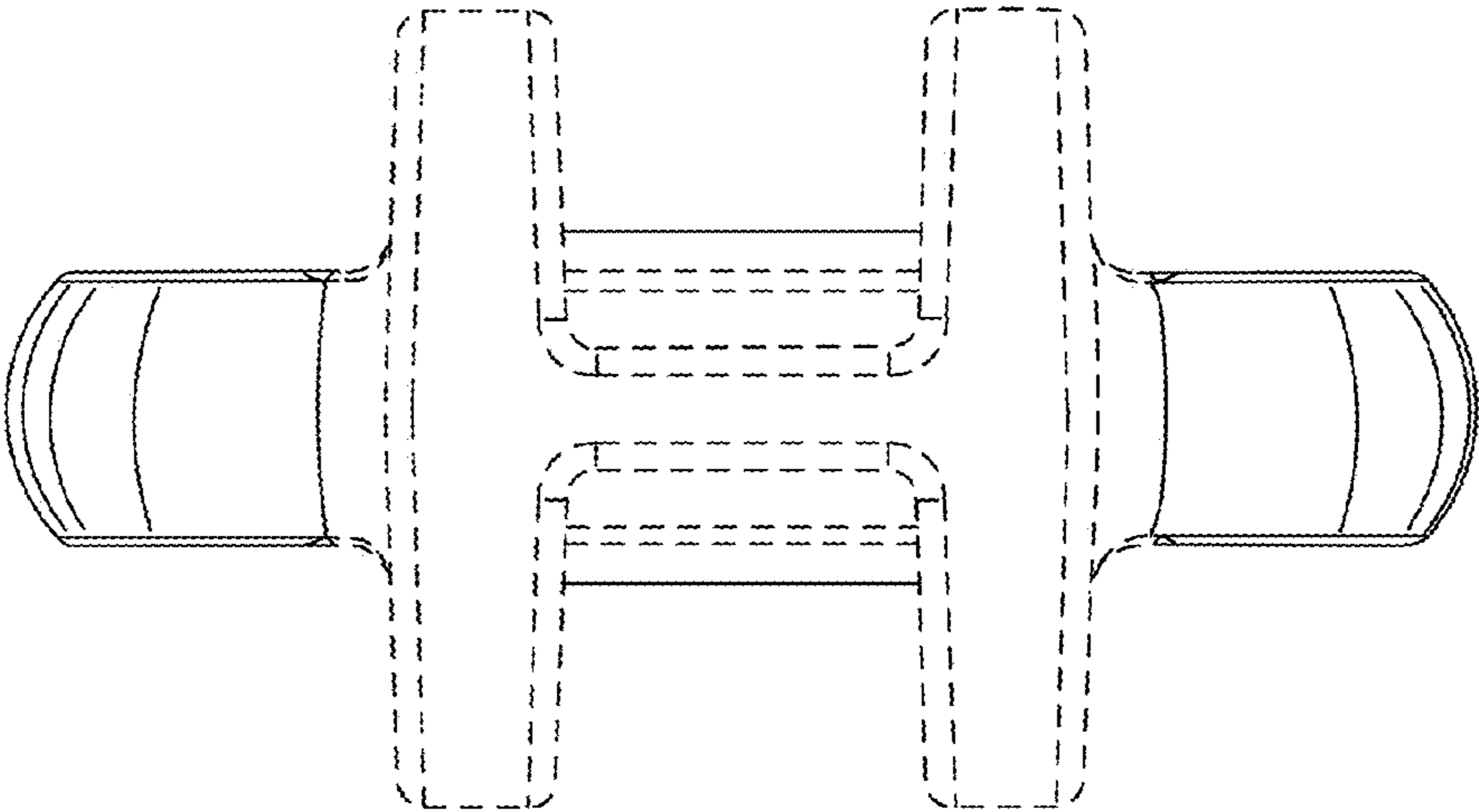


FIG. 3

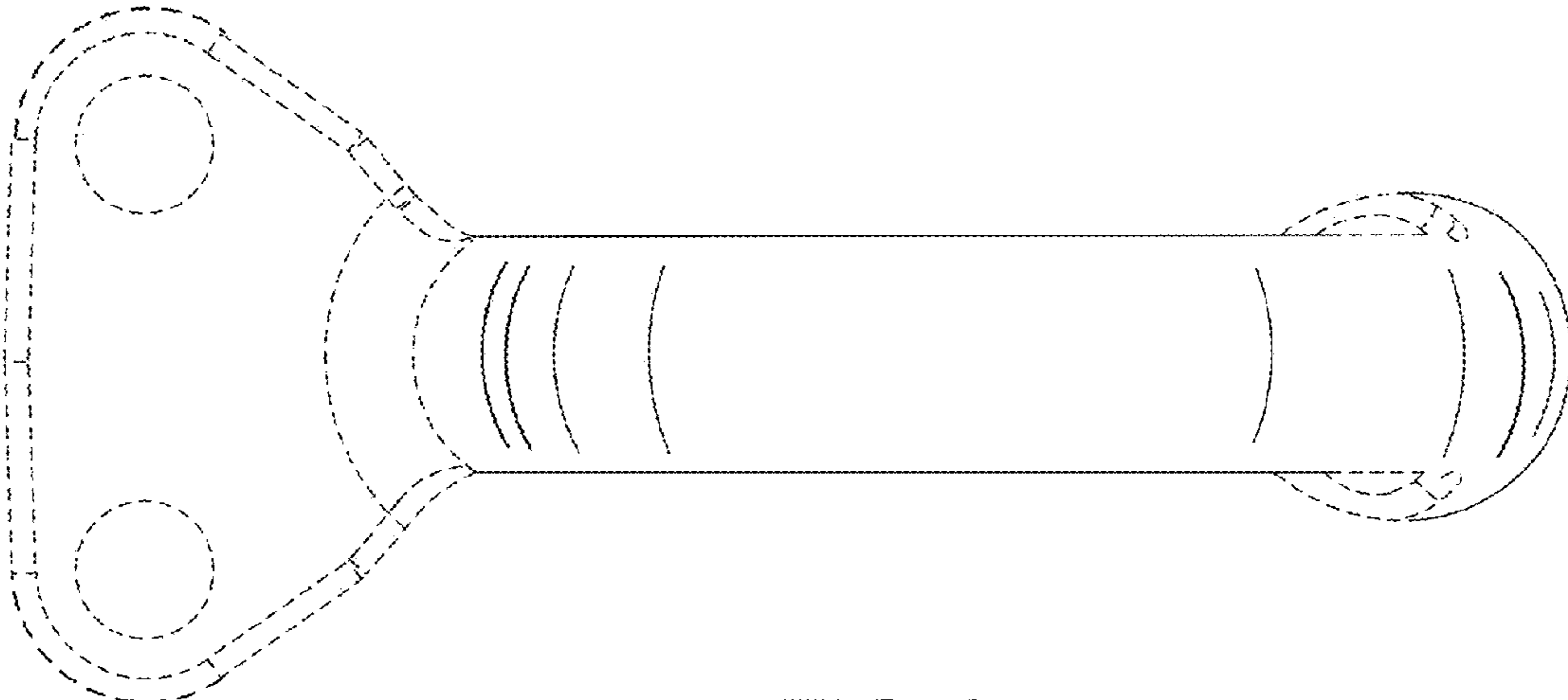


FIG. 4

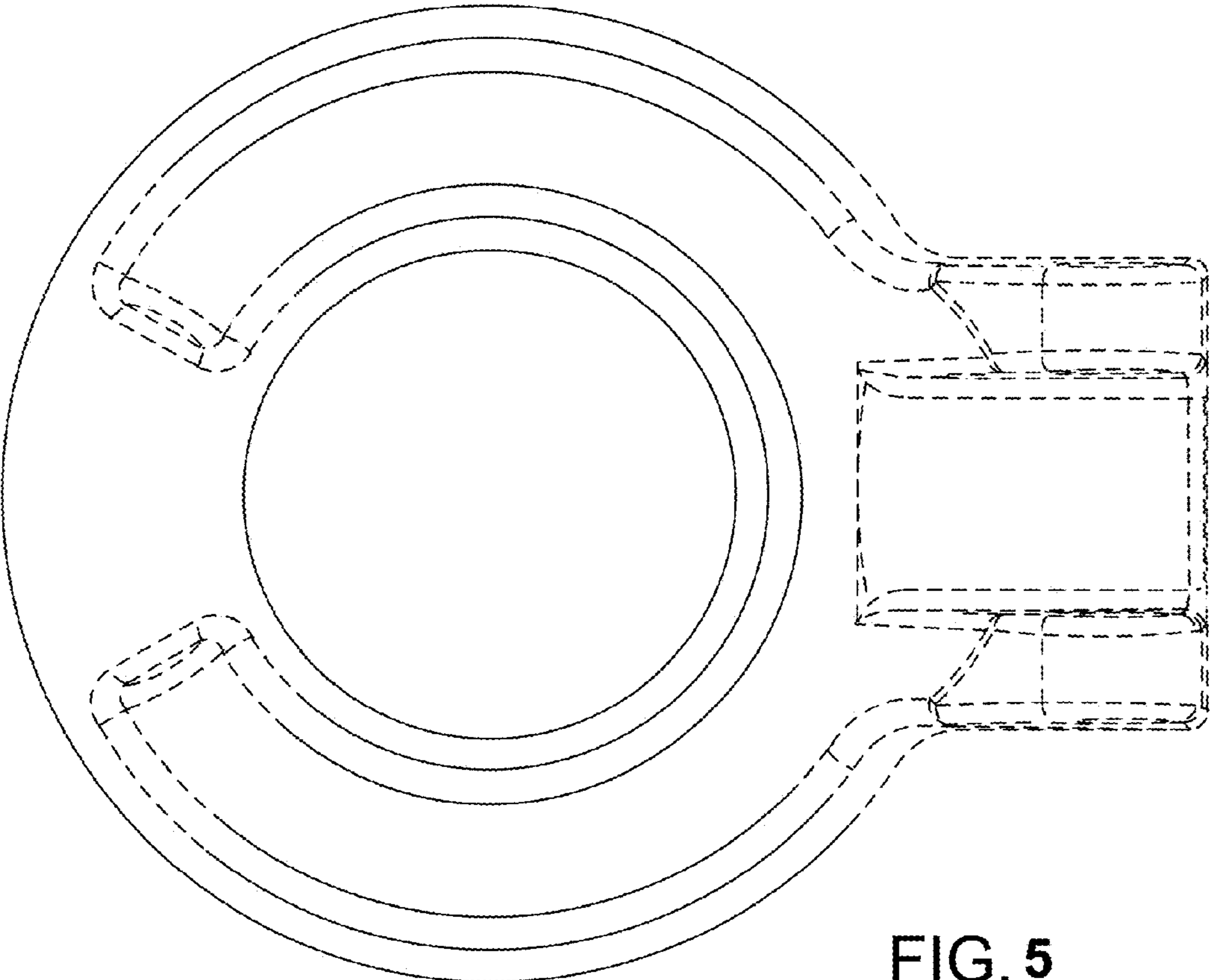


FIG. 5

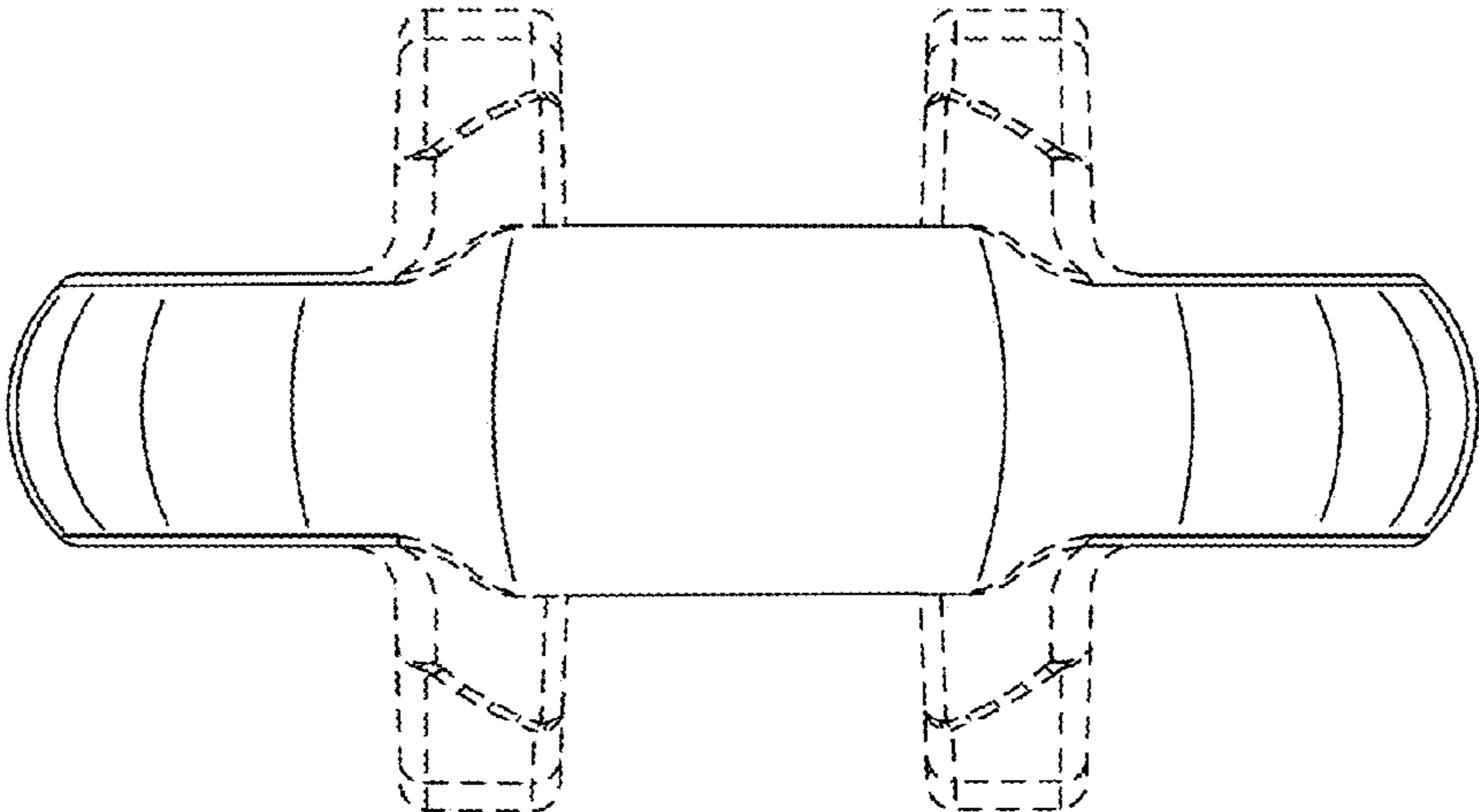


FIG. 6

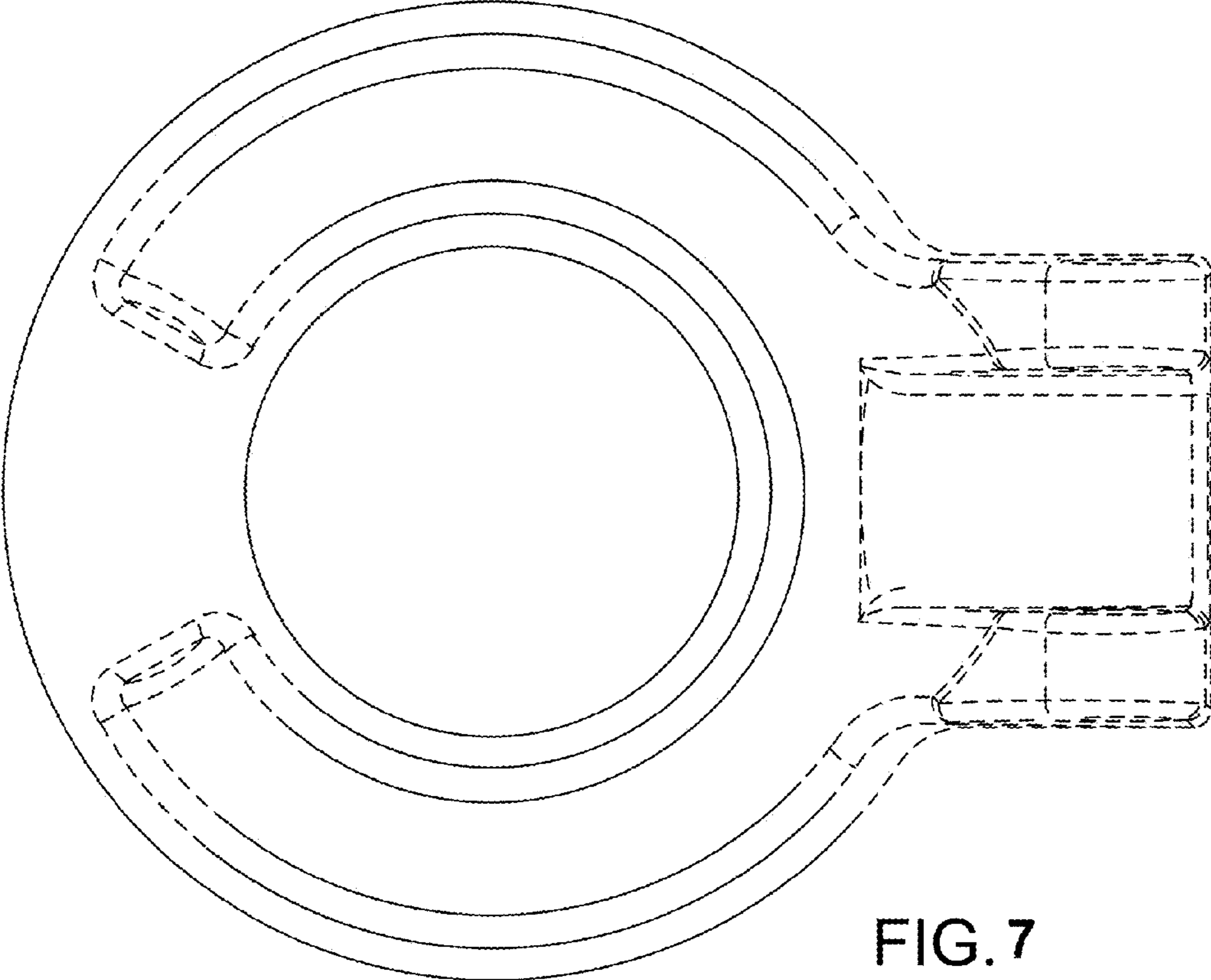


FIG. 7