



US00D760122S

(12) **United States Design Patent**
Guidry

(10) **Patent No.:** **US D760,122 S**
(45) **Date of Patent:** **** Jun. 28, 2016**

- (54) **OFF-ROAD CART**
- (71) Applicant: **Guidry 4JS Services, Inc.**, Lafayette, LA (US)
- (72) Inventor: **Eric Guidry**, Lafayette, LA (US)
- (73) Assignee: **GUIDRY 4JS SERVICES, INC.**, Lafayette, LA (US)
- (**) Term: **14 Years**
- (21) Appl. No.: **29/524,451**
- (22) Filed: **Apr. 20, 2015**
- (51) **LOC (10) Cl.** **12-10**
- (52) **U.S. Cl.**
USPC **D12/101**
- (58) **Field of Classification Search**
USPC D12/101, 102-106, 19, 129, 111-112;
D21/425, 435; D34/21-26, 12, 16-19
CPC B62D 35/02; B62D 35/00; A62B 3/005;
B60P 3/10
See application file for complete search history.

- 7,886,853 B2 * 2/2011 Konopa B62B 1/26
180/19.1
- D695,647 S * 12/2013 Manley D12/101
- D706,175 S * 6/2014 Graham, II D12/101
- D733,005 S * 6/2015 Erwin D12/101
- 2007/0210614 A1 * 9/2007 Chandler B62D 63/062
296/182.1
- 2011/0260430 A1 * 10/2011 Markovich B60P 3/40
280/656
- 2015/0076800 A1 * 3/2015 Davis B62D 63/061
280/656

* cited by examiner

Primary Examiner — Katrina A Betton
(74) *Attorney, Agent, or Firm* — Jones Walker LLP

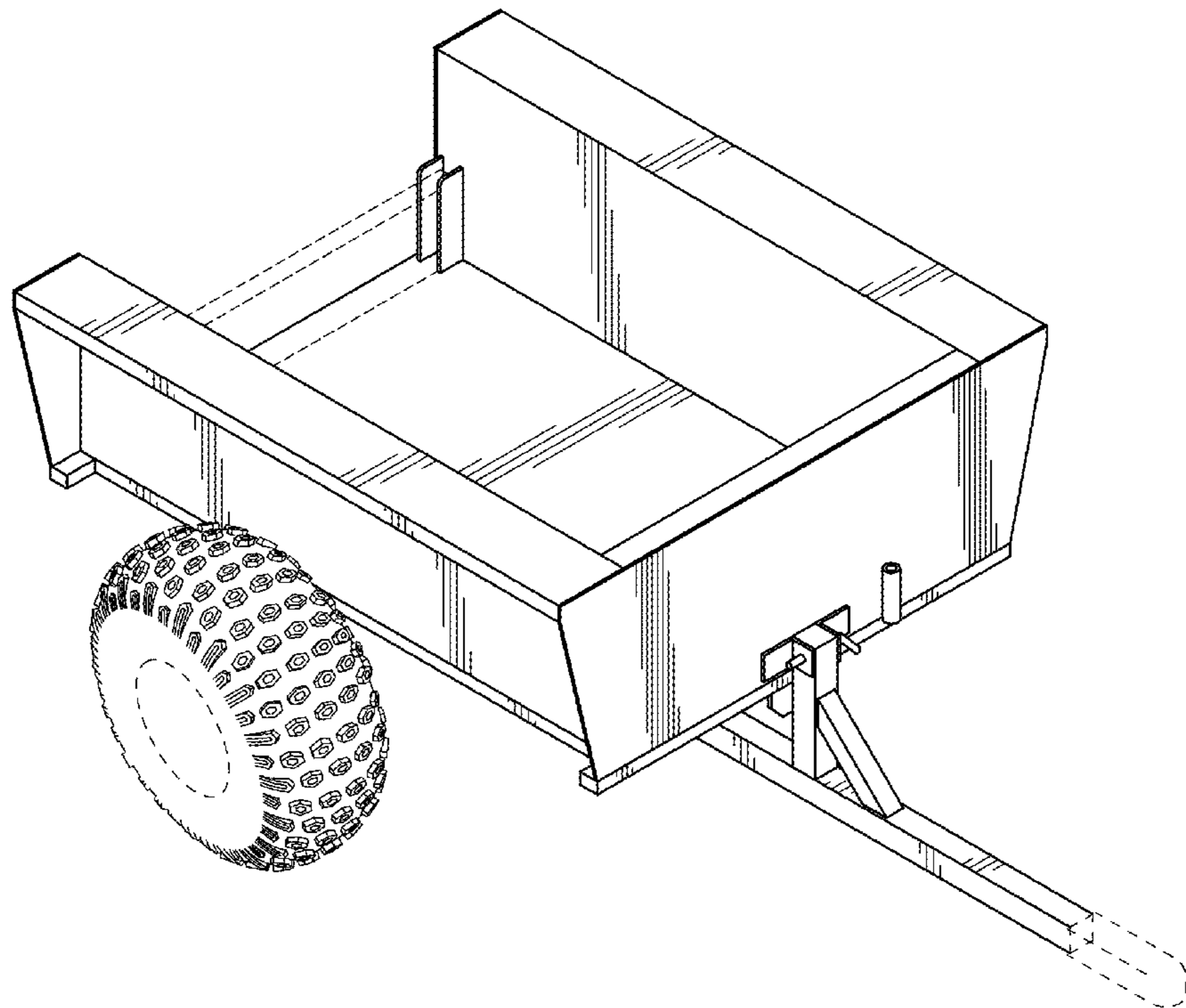
(57) **CLAIM**
I claim the ornamental design for an off-road cart, as shown and described.

DESCRIPTION

FIG. 1 is a right side perspective view of my new design;
FIG. 2 is a top view thereof;
FIG. 3 is a bottom view thereof;
FIG. 4 is a front view thereof;
FIG. 5 is a rear view thereof;
FIG. 6 is a right side view thereof;
FIG. 7 is a left side view thereof; and,
FIG. 8 is a right side view thereof in an alternate position.
In the drawings, the broken lines depict portions of the article that form no part of the claimed design.

1 Claim, 7 Drawing Sheets

- (56) **References Cited**
U.S. PATENT DOCUMENTS
4,119,331 A * 10/1978 Jackson B62B 5/085
280/639
6,902,175 B1 * 6/2005 Clavey B62B 1/10
280/47.19



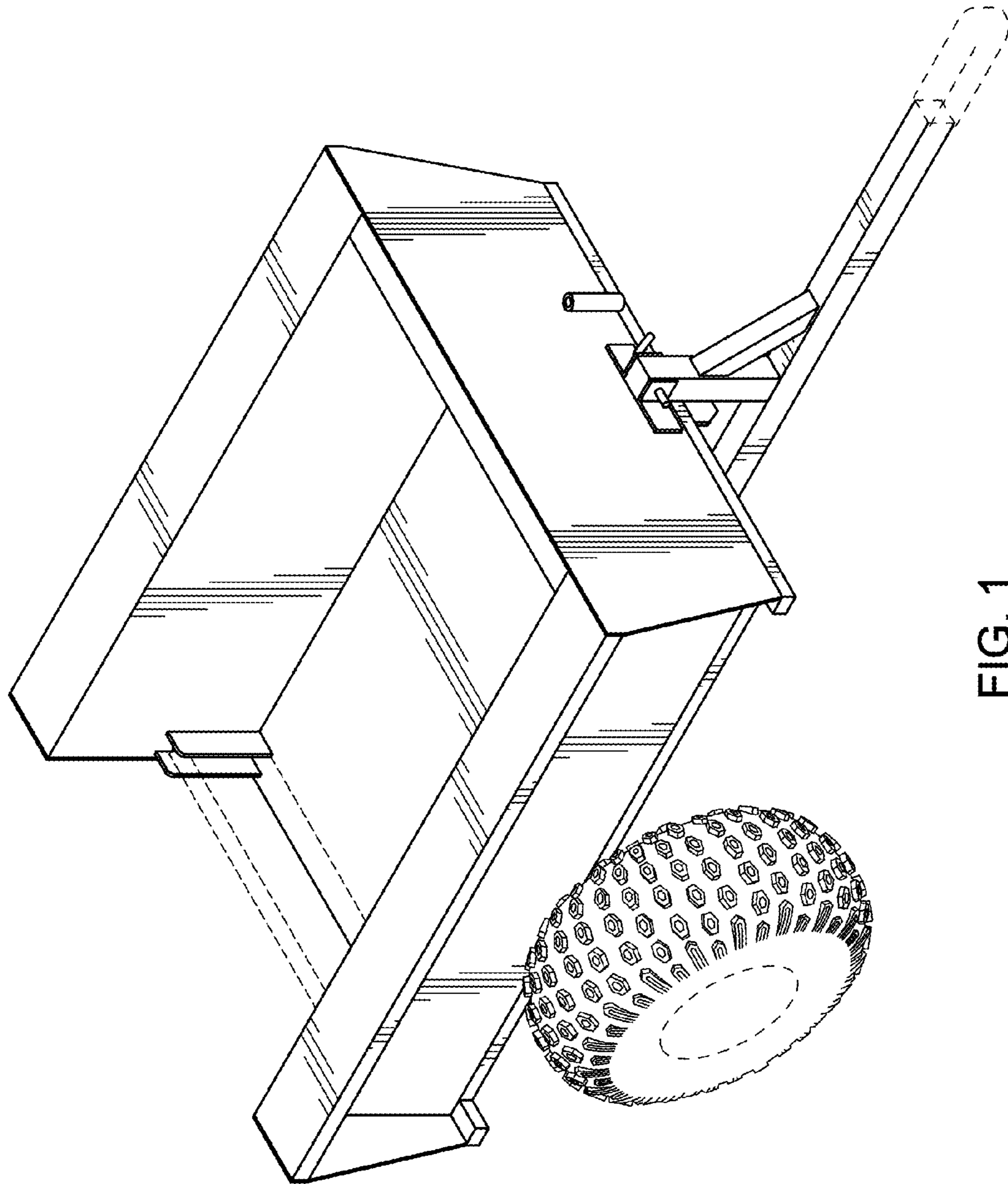


FIG. 1

FIG. 2

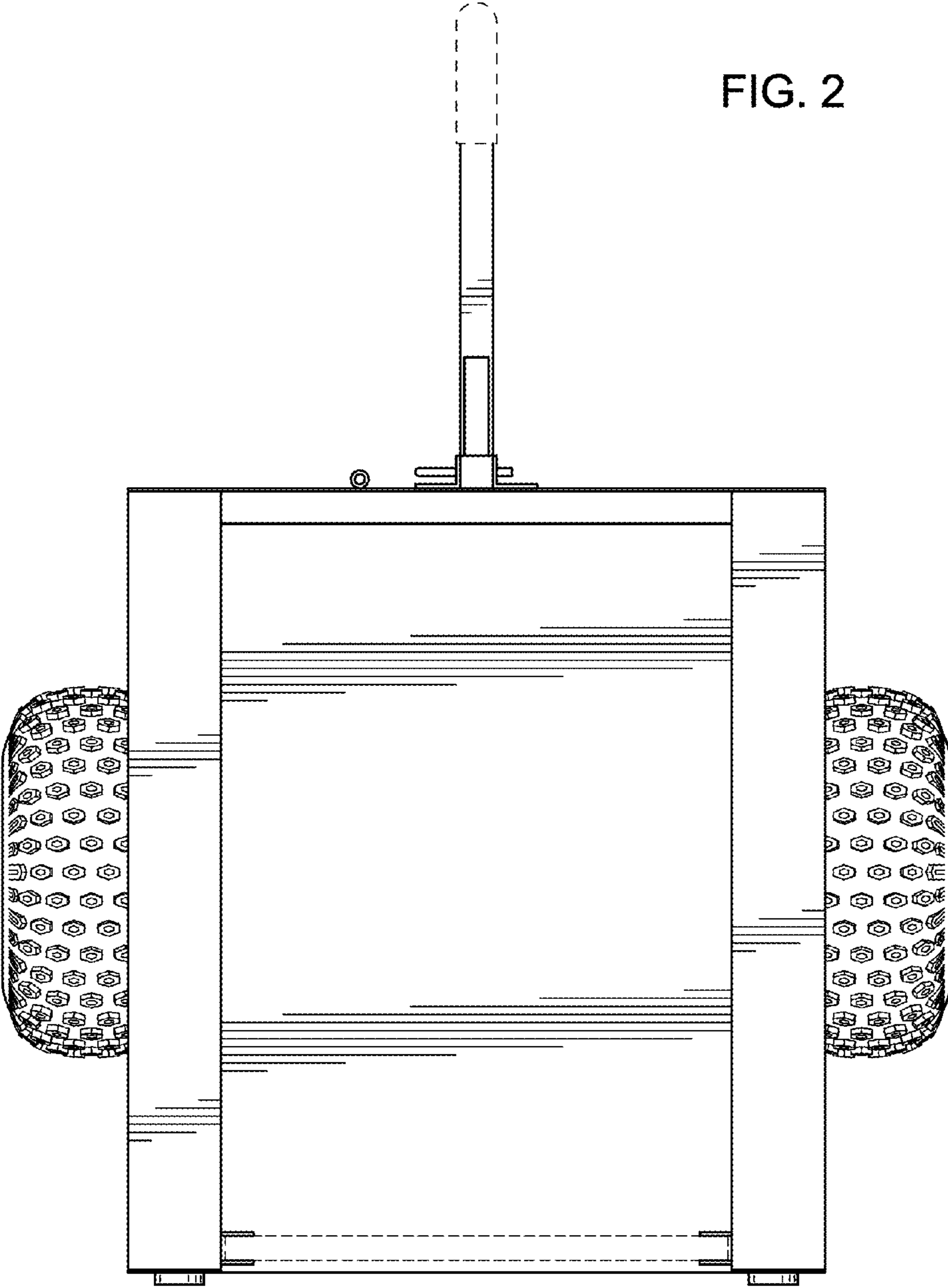
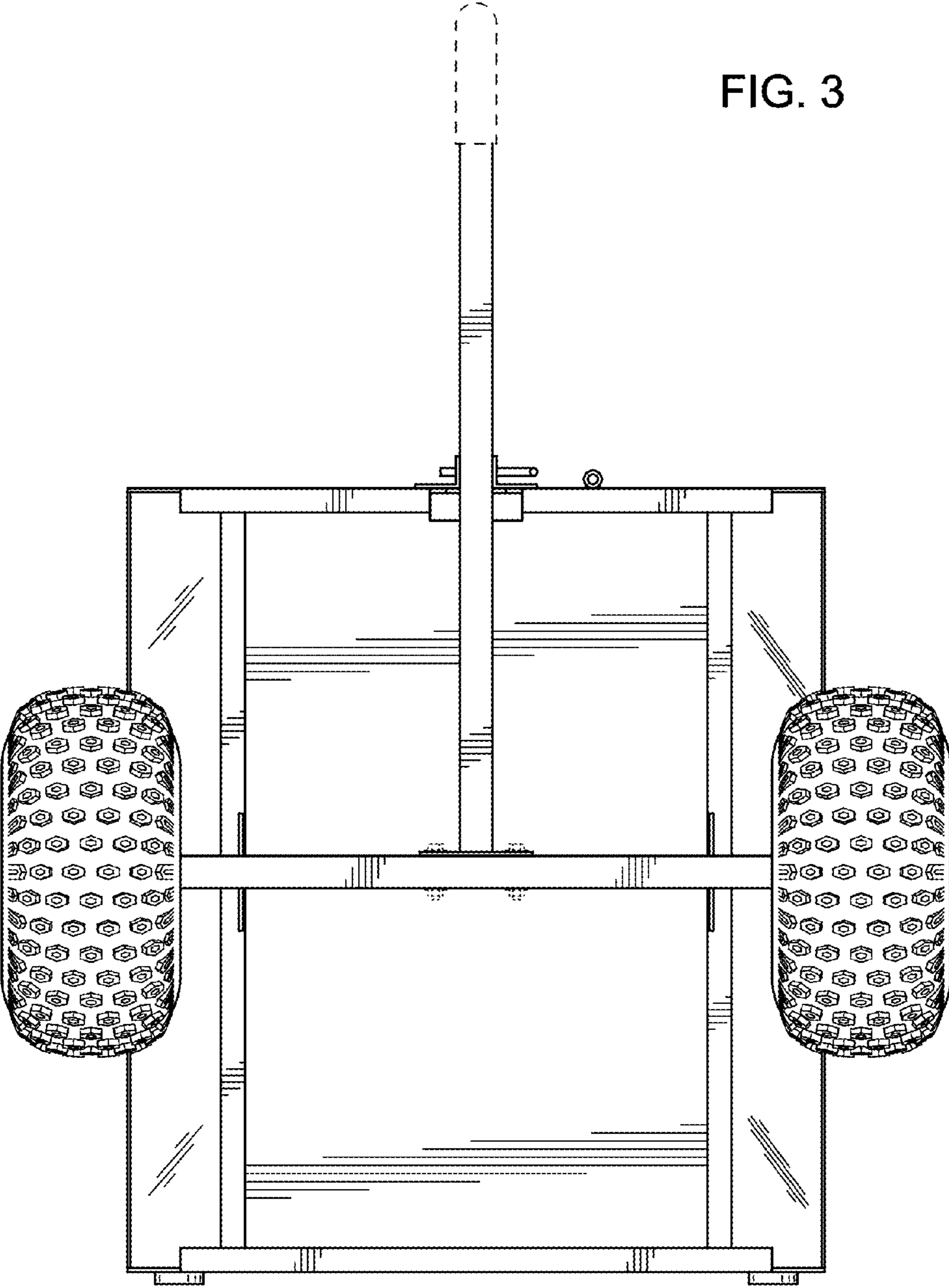


FIG. 3



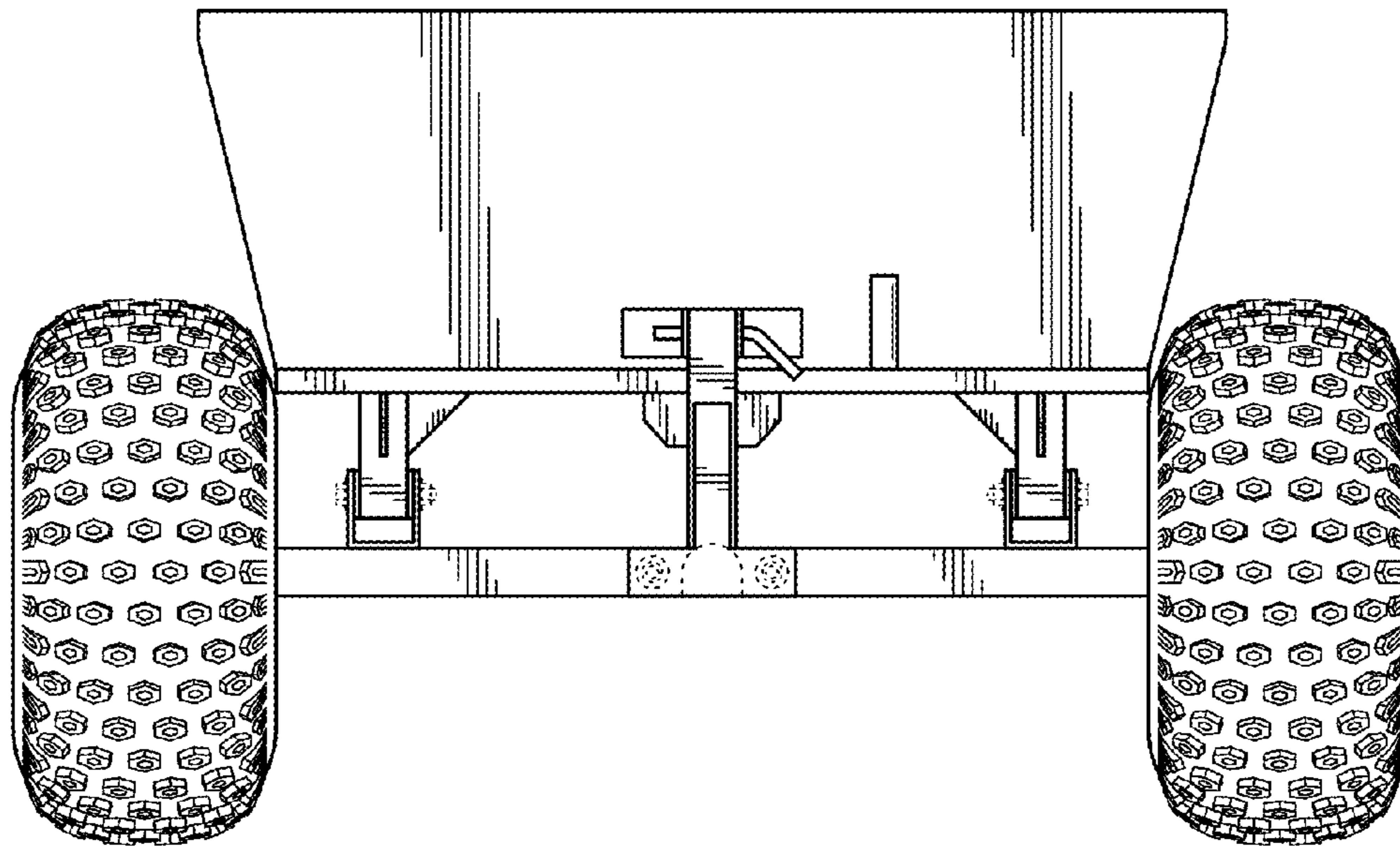


FIG. 4

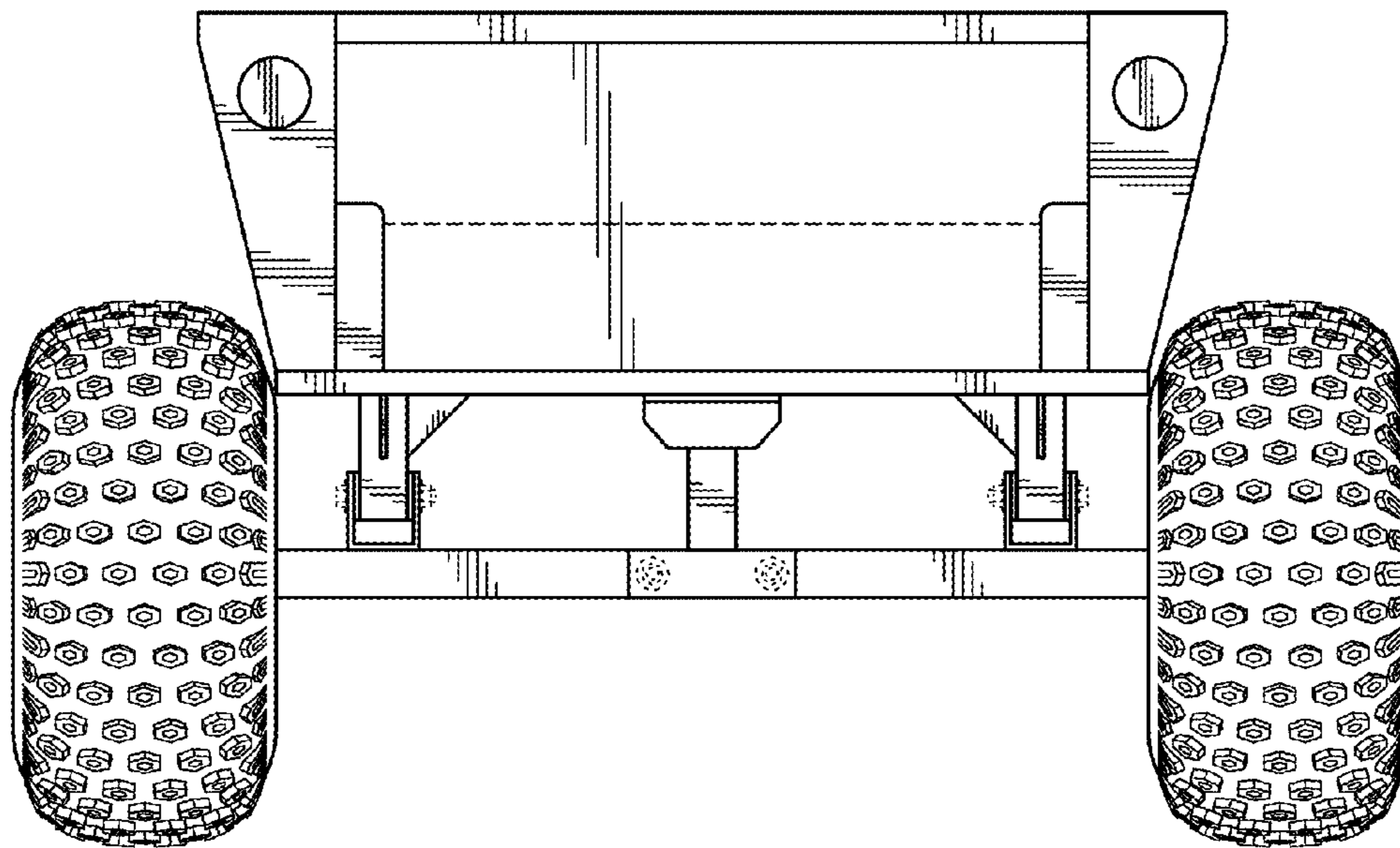


FIG. 5

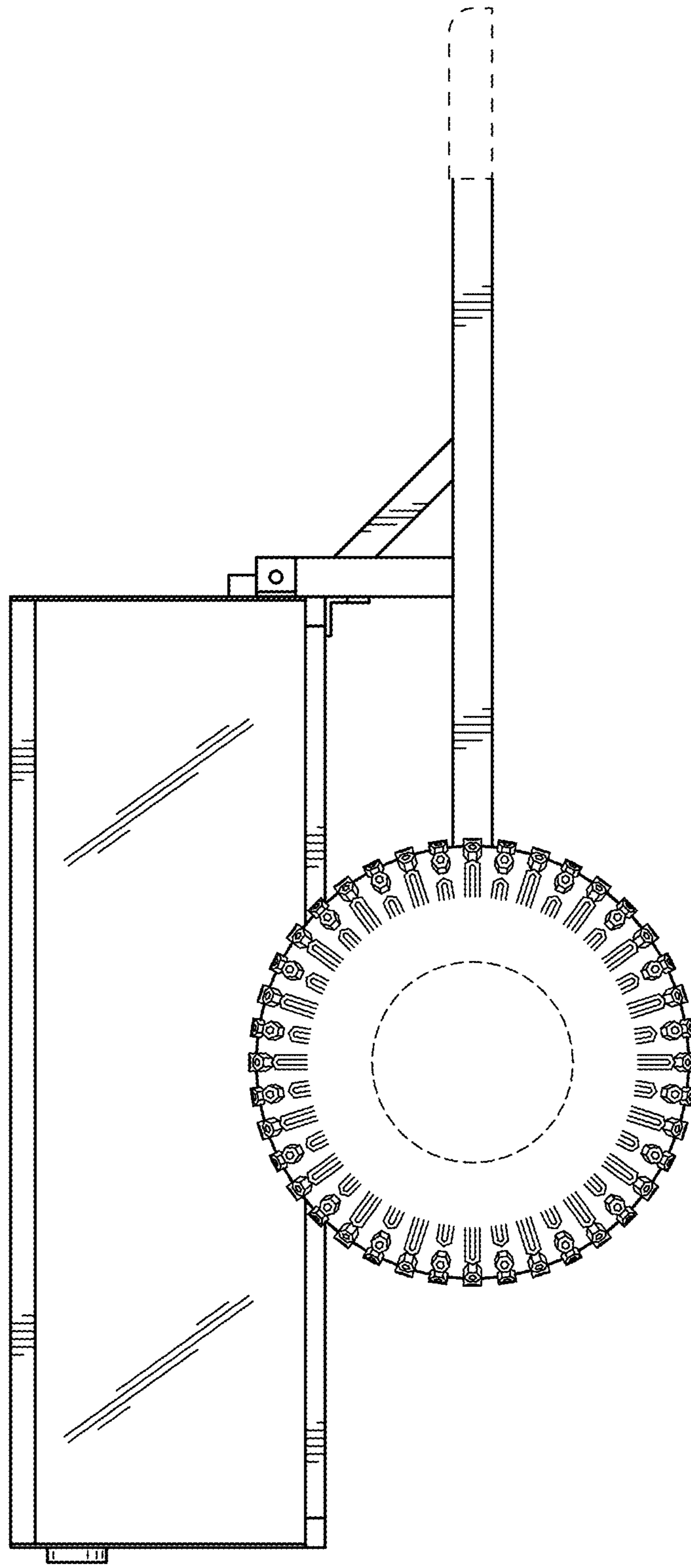


FIG. 6

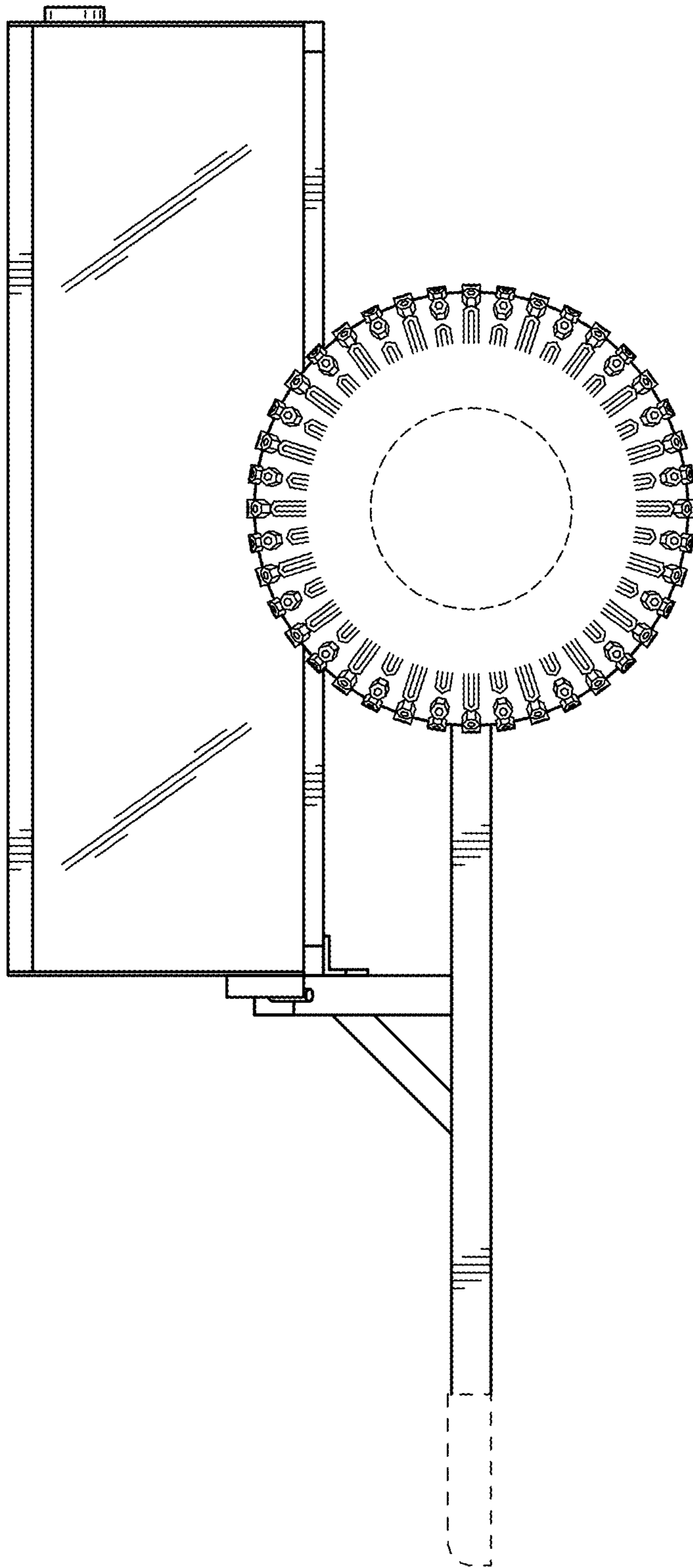


FIG. 7

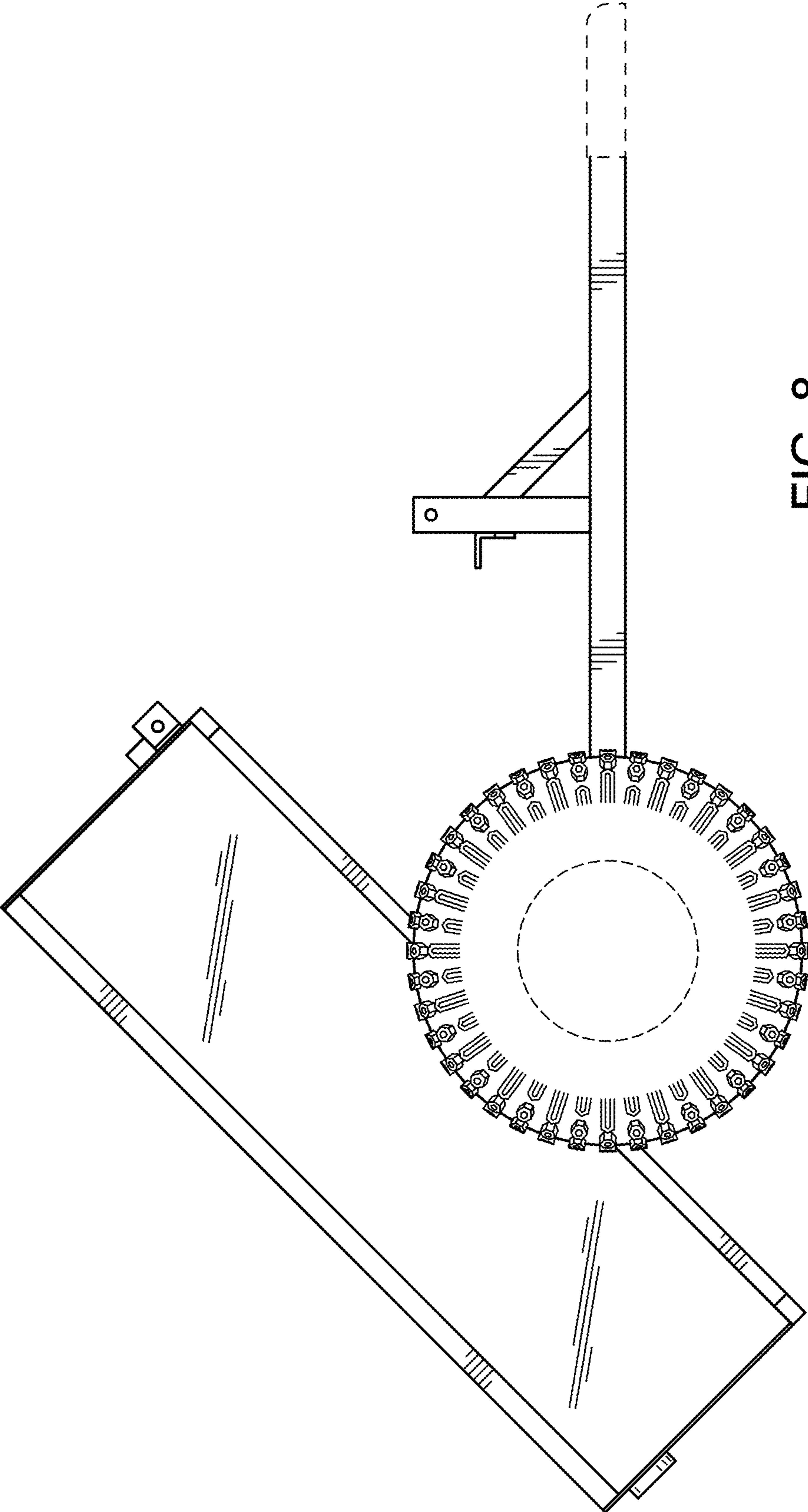


FIG. 8