



US00D760121S

(12) **United States Design Patent**
Sato et al.

(10) **Patent No.:** **US D760,121 S**
(45) **Date of Patent:** **** Jun. 28, 2016**

(54) **MOTOR VEHICLE AND/OR TOY REPLICA THEREOF**

(71) Applicants: **Jinichi Sato**, Saitama (JP); **Ken Iwasaki**, Hachiouji (JP); **Hitoshi Takayama**, Hino (JP); **Hideo Karikomi**, Tokyo (JP); **Chung Lee**, Ann Arbor, MI (US)

(72) Inventors: **Jinichi Sato**, Saitama (JP); **Ken Iwasaki**, Hachiouji (JP); **Hitoshi Takayama**, Hino (JP); **Hideo Karikomi**, Tokyo (JP); **Chung Lee**, Ann Arbor, MI (US)

(73) Assignee: **Toyota Jidosha Kabushiki Kaisha**, Toyota-shi, Aichi-ken (JP)

(**) Term: **15 Years**

(21) Appl. No.: **29/541,932**

(22) Filed: **Oct. 9, 2015**

Related U.S. Application Data

(62) Division of application No. 29/506,684, filed on Oct. 17, 2014.

(51) **LOC (10) Cl.** **12-08**

(52) **U.S. Cl.**
USPC **D12/98**

(58) **Field of Classification Search**
USPC D12/86, 90-92, 88, 98; D21/424, 433, D21/434; 296/181.1, 181.5, 181.3, 183.1
CPC B60R 9/06; B62D 35/00
See application file for complete search history.

(56) **References Cited**

U.S. PATENT DOCUMENTS

D600,595 S *	9/2009	Nakamura	D12/98
D607,783 S *	1/2010	Roller	D12/98
D703,586 S *	4/2014	Platto	D12/98
D735,081 S *	7/2015	Sperling	D12/98
D735,082 S *	7/2015	Sperling	D12/98

OTHER PUBLICATIONS

Netcarshow.com, URL: <http://www.netcarshow.com/toyota/2012-tacoma/>; Model: Tacoma; Mfg.: Toyota, Jul. 10, 2014.

Netcarshow.com, URL: <http://www.netcarshow.com/toyota/2014-tundra/>; Model: Tundra; Mfg.: Toyota, Jul. 10, 2014.

Netcarshow.com, URL: <http://www.netcarshow.com/gmc/2015-canyon/>; Model: GMC Canyon; Mfg.: General Motors Company, Jul. 10, 2014.

Motortrend.com, URL: http://www.motortrend.com/roadtests/trucks/1401_2015_gmc_canyon_first_look/photo_09.html#photo_09.html?&_suid=1412556704430707866891566793981; Model: GMC Canyon; Mfg.: General Motors Company, Jul. 10, 2014.

Netcarshow.com, URL: http://www.netcarshow.com/toyota/2015-tacoma_trd_pro_series/; Model: Tacoma TRD PRO; Mfg.: Toyota, Jul. 10, 2014.

Netcarshow.com, URL: http://www.netcarshow.com/dodge/2014-ram_1500/; Model: RAM 1500; Mfg.: Chrysler, Jul. 10, 2014.

Netcarshow.com, URL: http://www.netcarshow.com/ford/2010-f-150_svt_raptor_r/; Model: Ford F150 Raptor R; Mfg.: Ford, Jul. 10, 2014.

Netcarshow.com, URL: http://www.netcarshow.com/ford/2010-f-150_svt_raptor_r/; Model: Ford F150 Raptor R; Mfg.: Ford, Jul. 10, 2014.

* cited by examiner

Primary Examiner — Melody N Brown

(74) *Attorney, Agent, or Firm* — Finnegan, Henderson, Farabow, Garrett & Dunner, LLP

(57) **CLAIM**

The ornamental design for a motor vehicle and/or toy replica thereof, as shown and described.

DESCRIPTION

FIG. 1 is a front perspective of a motor vehicle and/or toy replica thereof showing our design;

FIG. 2 is a rear perspective view thereof;

FIG. 3 is a front view thereof;

FIG. 4 is a rear view thereof;

FIG. 5 is a right side view thereof;

FIG. 6 is a left side view thereof; and,

FIG. 7 is a top plan view thereof.

The bottom view of the motor vehicle forms no part of the claimed design.

1 Claim, 5 Drawing Sheets





FIG. 1



FIG. 2

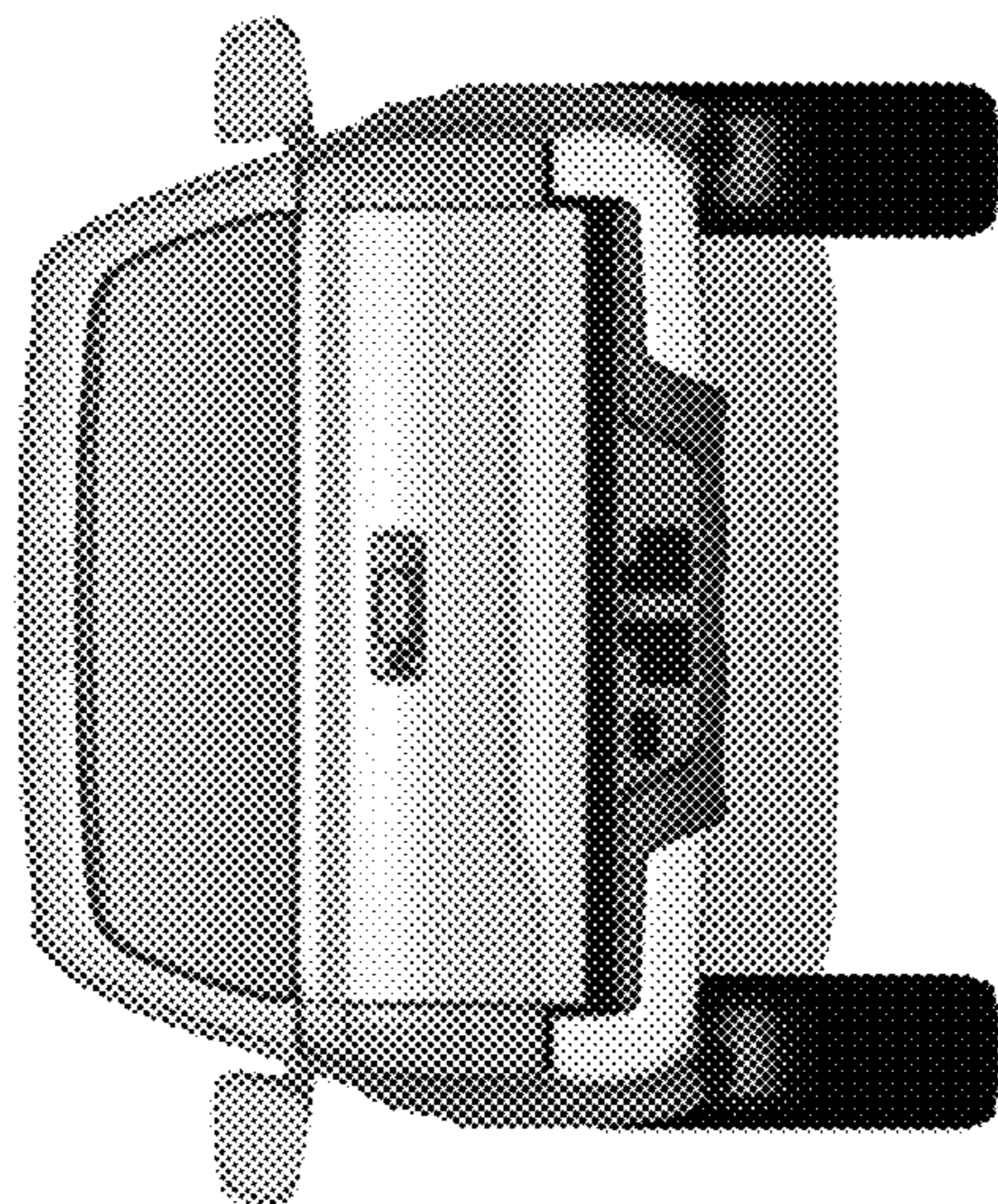


FIG. 3



FIG. 4

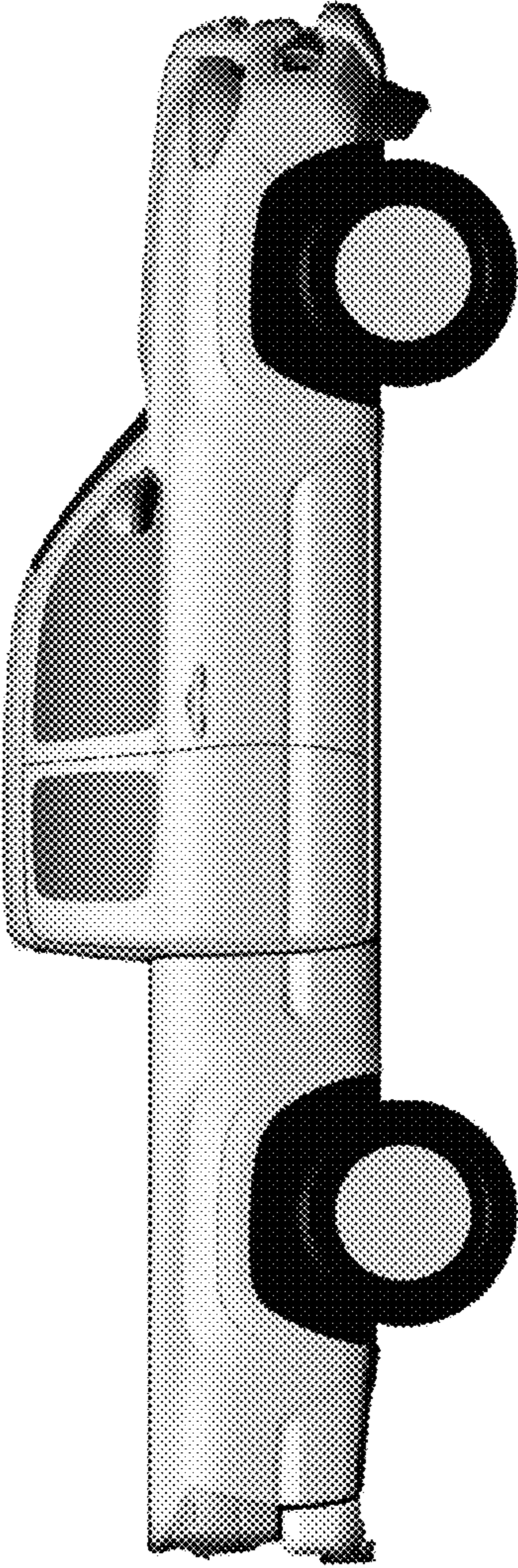


FIG. 5

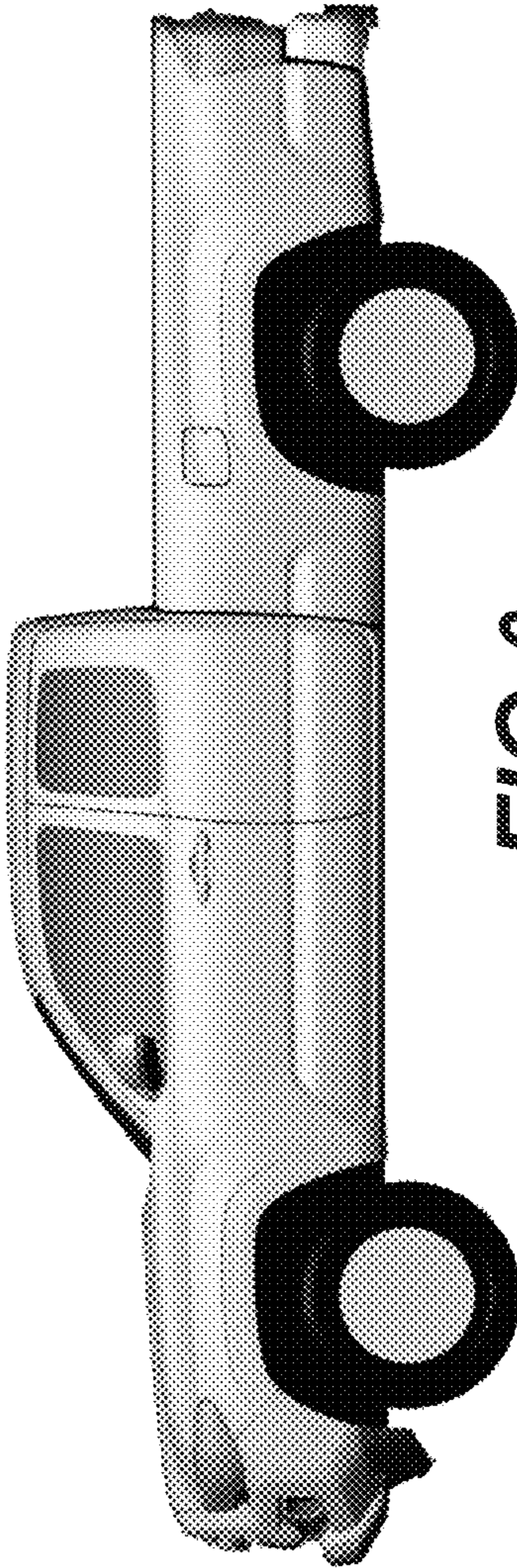


FIG. 6

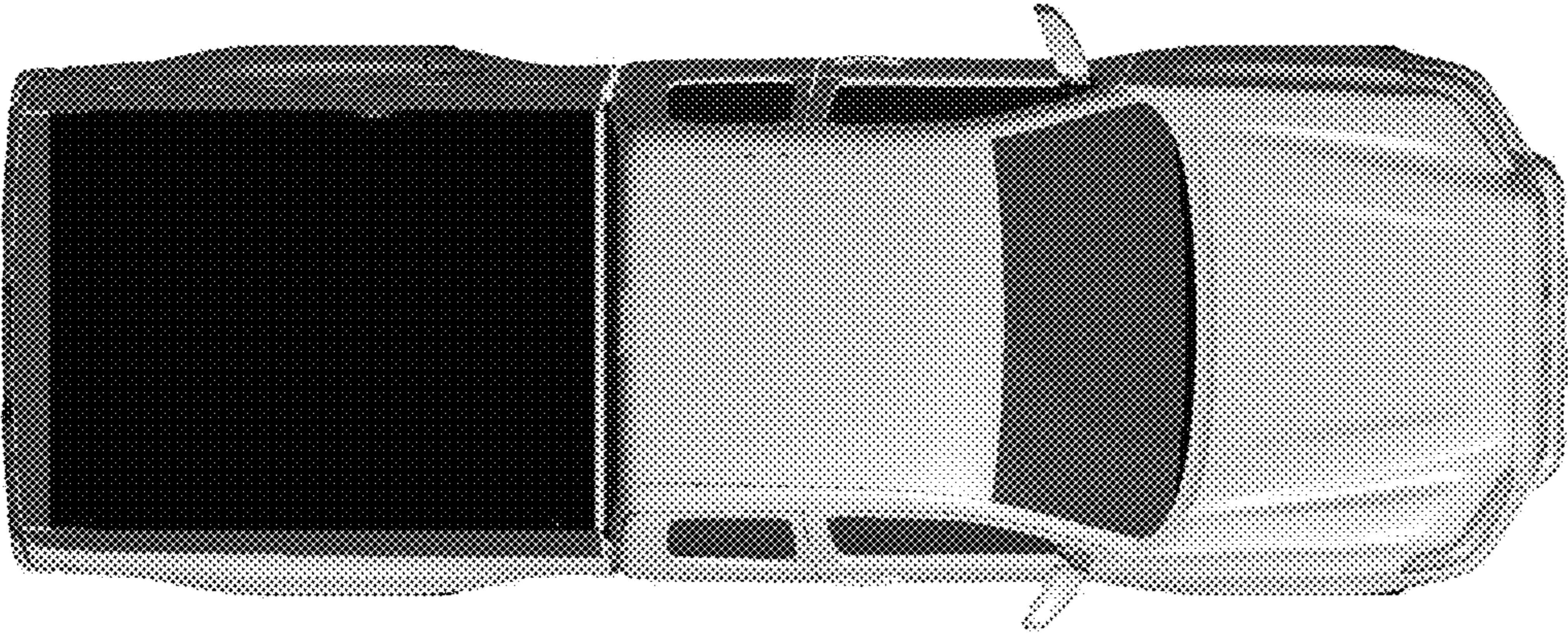


FIG. 7

UNITED STATES PATENT AND TRADEMARK OFFICE
CERTIFICATE OF CORRECTION

PATENT NO. : D760,121 S
APPLICATION NO. : 29/541932
DATED : June 28, 2016
INVENTOR(S) : Jinichi Sato et al.

Page 1 of 1

It is certified that error appears in the above-identified patent and that said Letters Patent is hereby corrected as shown below:

Please correct item (56) under “OTHER PUBLICATIONS” as follows:

Motortrend.com, URL:

[http://www.motortrend.com/roadtests/trucks/1401_2015_gmc_canyon_first_look/photo_09.html#photo_09.html?&_suid=1412556704\[\[4\]\]30707866891566793981](http://www.motortrend.com/roadtests/trucks/1401_2015_gmc_canyon_first_look/photo_09.html#photo_09.html?&_suid=1412556704[[4]]30707866891566793981); Model: GMC CANYON; Mfg.: General Motors Company, 10-Jul-14.

Signed and Sealed this
Thirty-first Day of October, 2017



Joseph Matal

*Performing the Functions and Duties of the
Under Secretary of Commerce for Intellectual Property and
Director of the United States Patent and Trademark Office*