



US00D760120S

(12) **United States Design Patent**
Leyrikh

(10) **Patent No.:** **US D760,120 S**
(45) **Date of Patent:** **** Jun. 28, 2016**

(54) **MOTOR VEHICLE**

(71) Applicant: **Anatoliy Andreevich Leyrikh**, Moscow
(RU)

(72) Inventor: **Anatoliy Andreevich Leyrikh**, Moscow
(RU)

(**) Term: **14 Years**

(21) Appl. No.: **29/498,527**

(22) Filed: **Aug. 5, 2014**

(30) **Foreign Application Priority Data**

Feb. 5, 2014 (RU) 2014500395

(51) **LOC (10) Cl.** **12-13**

(52) **U.S. Cl.**
USPC **D12/12**

(58) **Field of Classification Search**
USPC D21/533, 539, 548–552, 557–560, 579,
D21/580–583, 442, 436, 447, 86, 91;
89/36.02, 36.08, 39.09, 904, 912, 914,
89/929, 930, 935, 936, 937, 36.13;
D12/12, 86–89, 91, 92, 98–100

CPC F41H 5/20; F41H 7/04; F41H 5/26;
F41H 5/013; F41H 7/02; F41H 5/18; F41H
5/14; F41H 7/00; F41H 7/03; F41H 7/048
See application file for complete search history.

(56) **References Cited**

U.S. PATENT DOCUMENTS

D593,450 S * 6/2009 Green, Jr. D12/12
2007/0186762 A1 * 8/2007 Dehart F41H 5/023
89/36.09
2007/0234896 A1 * 10/2007 Joynt F41H 7/042
89/36.09
2010/0275766 A1 * 11/2010 Joynt F41H 7/042
89/36.02
2010/0319525 A1 * 12/2010 Pavon F41H 7/042
89/36.02
2011/0138994 A1 * 6/2011 Joynt F41H 7/042
89/36.08

2012/0031261 A1 * 2/2012 Gagnon F41A 27/20
89/36.13
2012/0312607 A1 * 12/2012 Joynt F41H 7/042
180/54.1
2014/0216238 A1 * 8/2014 Pfennig F41H 7/042
89/36.02
2014/0260935 A1 * 9/2014 Kocher, Jr. F41H 7/04
89/36.02

FOREIGN PATENT DOCUMENTS

RU 56329 2/2005
RU 64990 12/2007
RU 68939 1/2009
RU 76645 11/2010

* cited by examiner

Primary Examiner — T. Chase Nelson

Assistant Examiner — Ania Aman

(74) *Attorney, Agent, or Firm* — Ling Wu; Stephen Yang;
Ling and Yang Intellectual Property

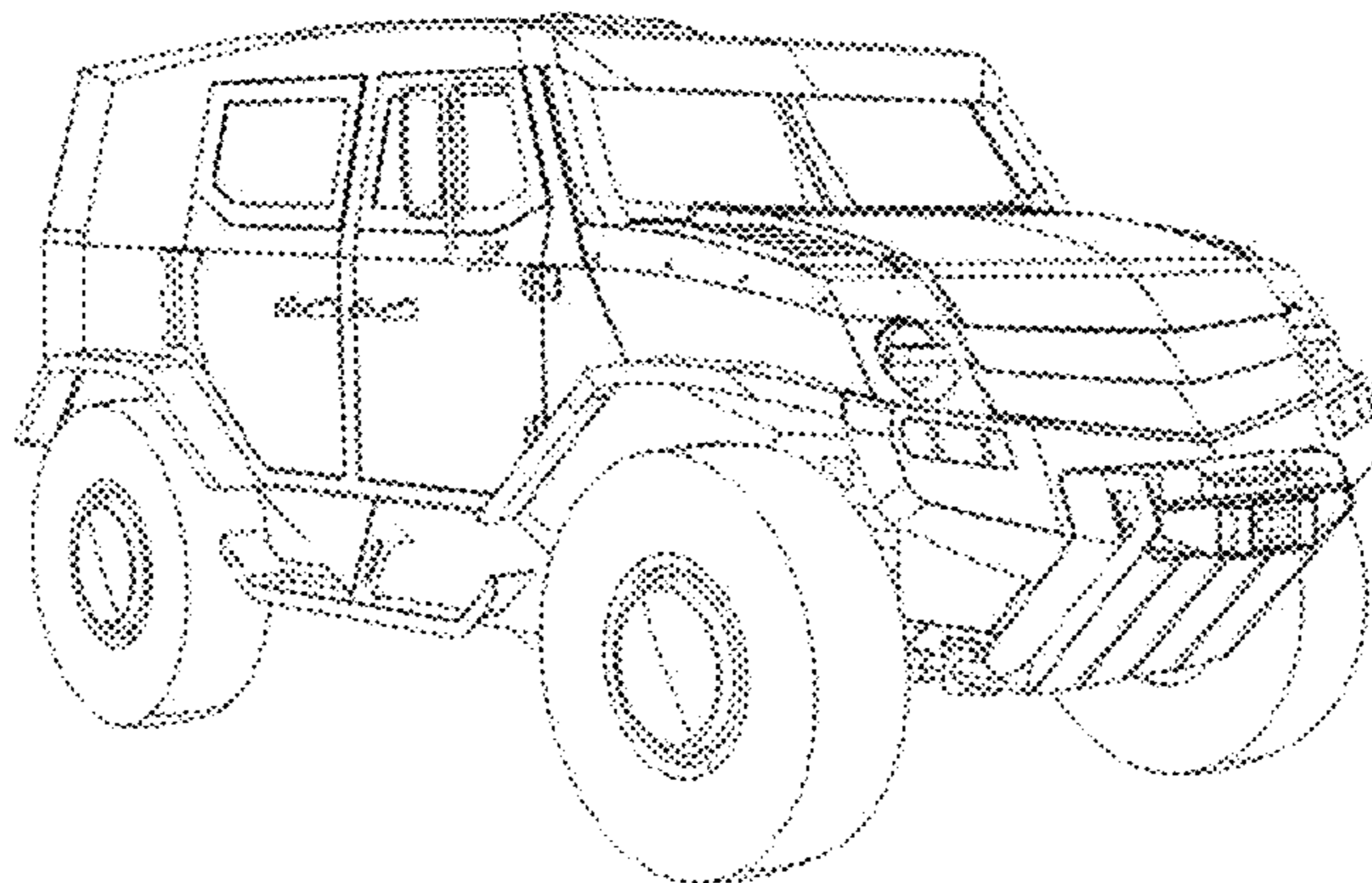
(57) **CLAIM**

The ornamental design for a motor vehicle, as shown and described.

DESCRIPTION

FIG. 1 is a perspective view from the front and left of a motor vehicle showing my new design;
FIG. 2 is a perspective view from the front and right of the motor vehicle shown in FIG. 1;
FIG. 3 is a perspective view from the rear and right of the motor vehicle shown in FIG. 1;
FIG. 4 is a perspective view from the rear and left of the motor vehicle shown in FIG. 1;
FIG. 5 is a front view of the motor vehicle shown in FIG. 1;
FIG. 6 is a rear view of the motor vehicle shown in FIG. 1;
FIG. 7 is a left view of the motor vehicle shown in FIG. 1;
FIG. 8 is a right view of the motor vehicle shown in FIG. 1;
FIG. 9 is a top view of the motor vehicle shown in FIG. 1; and,
FIG. 10 is a bottom view of the motor vehicle shown in FIG. 1.

1 Claim, 6 Drawing Sheets



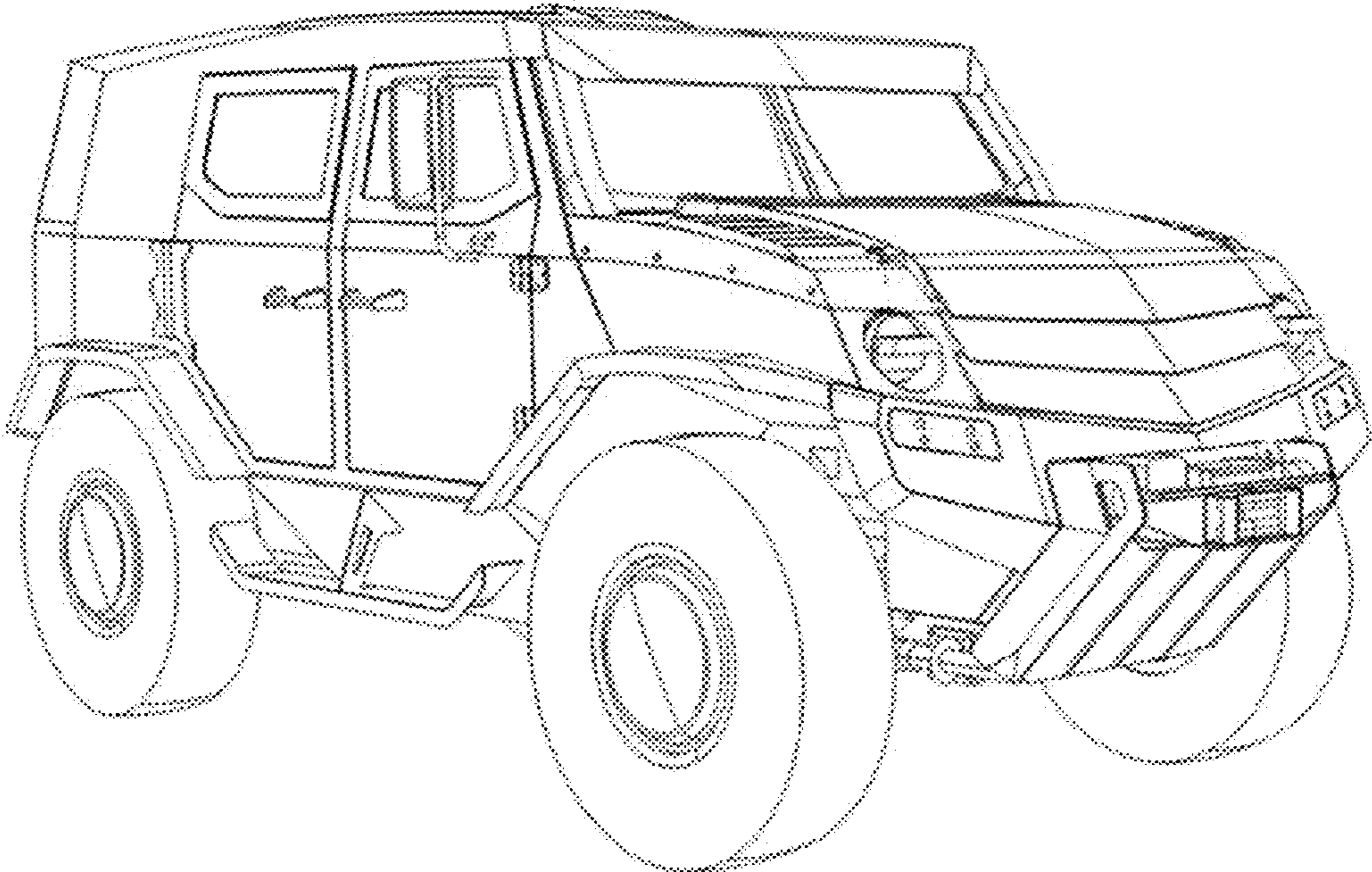


Fig. 1

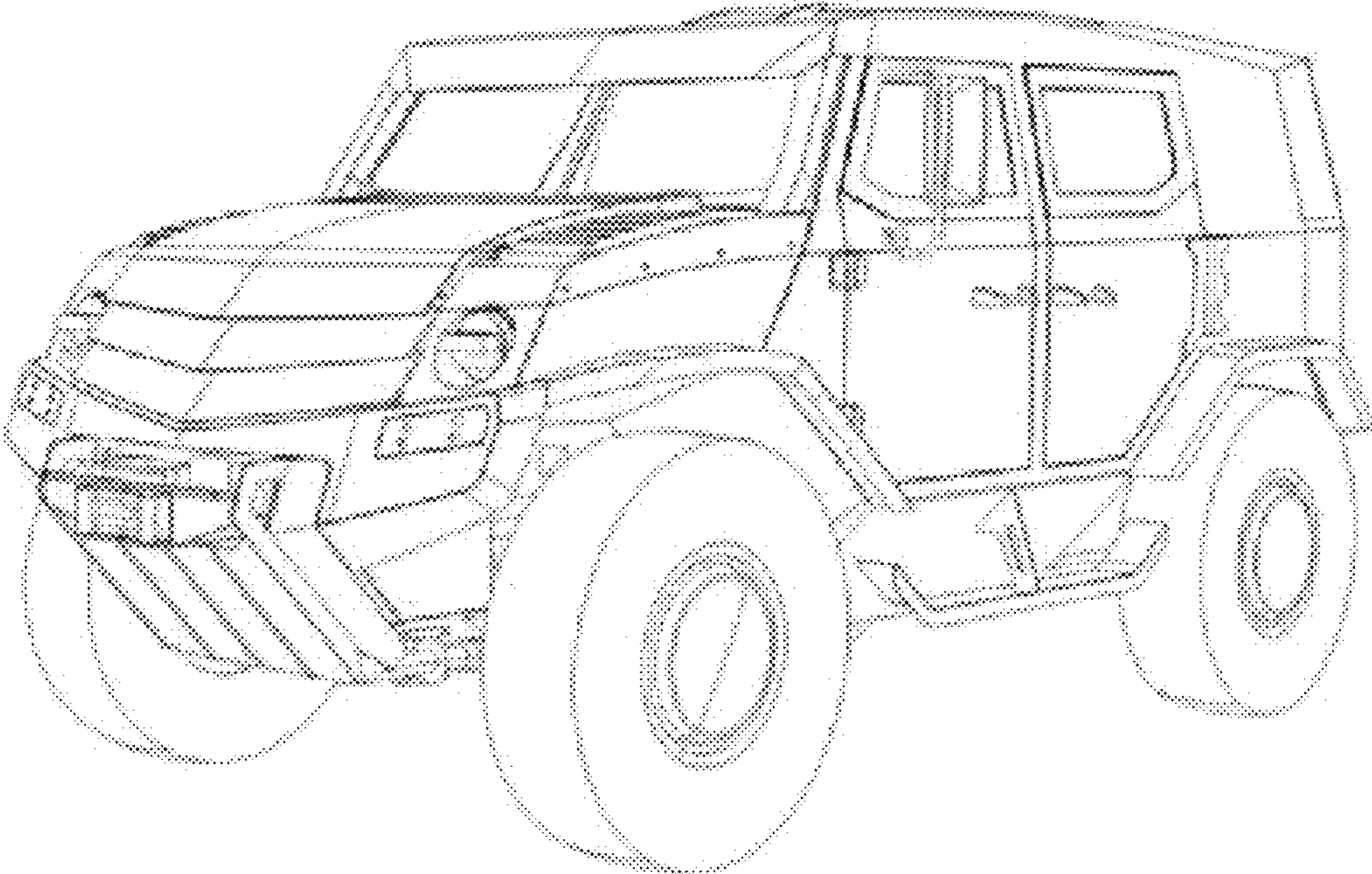


Fig. 2

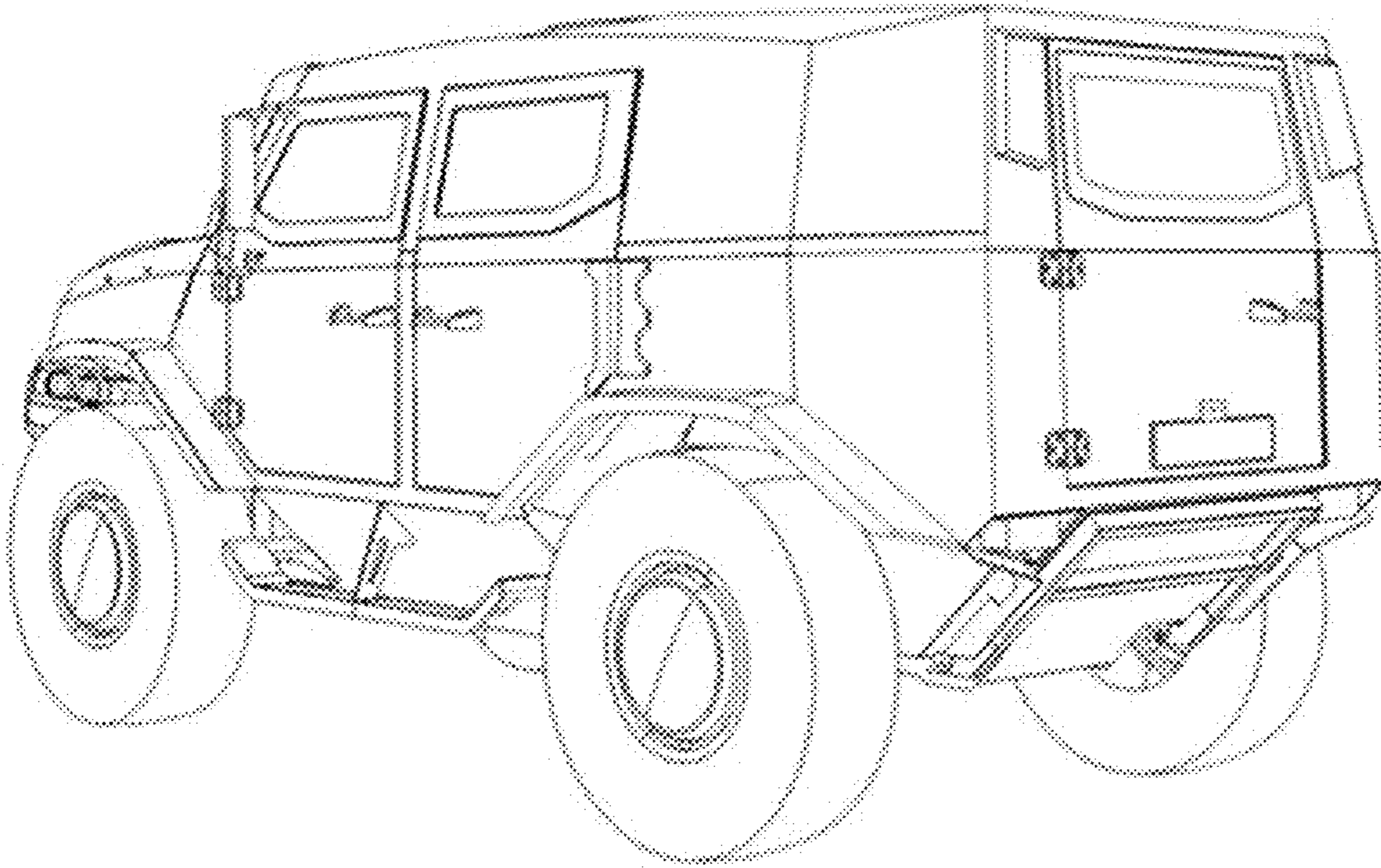


Fig. 3

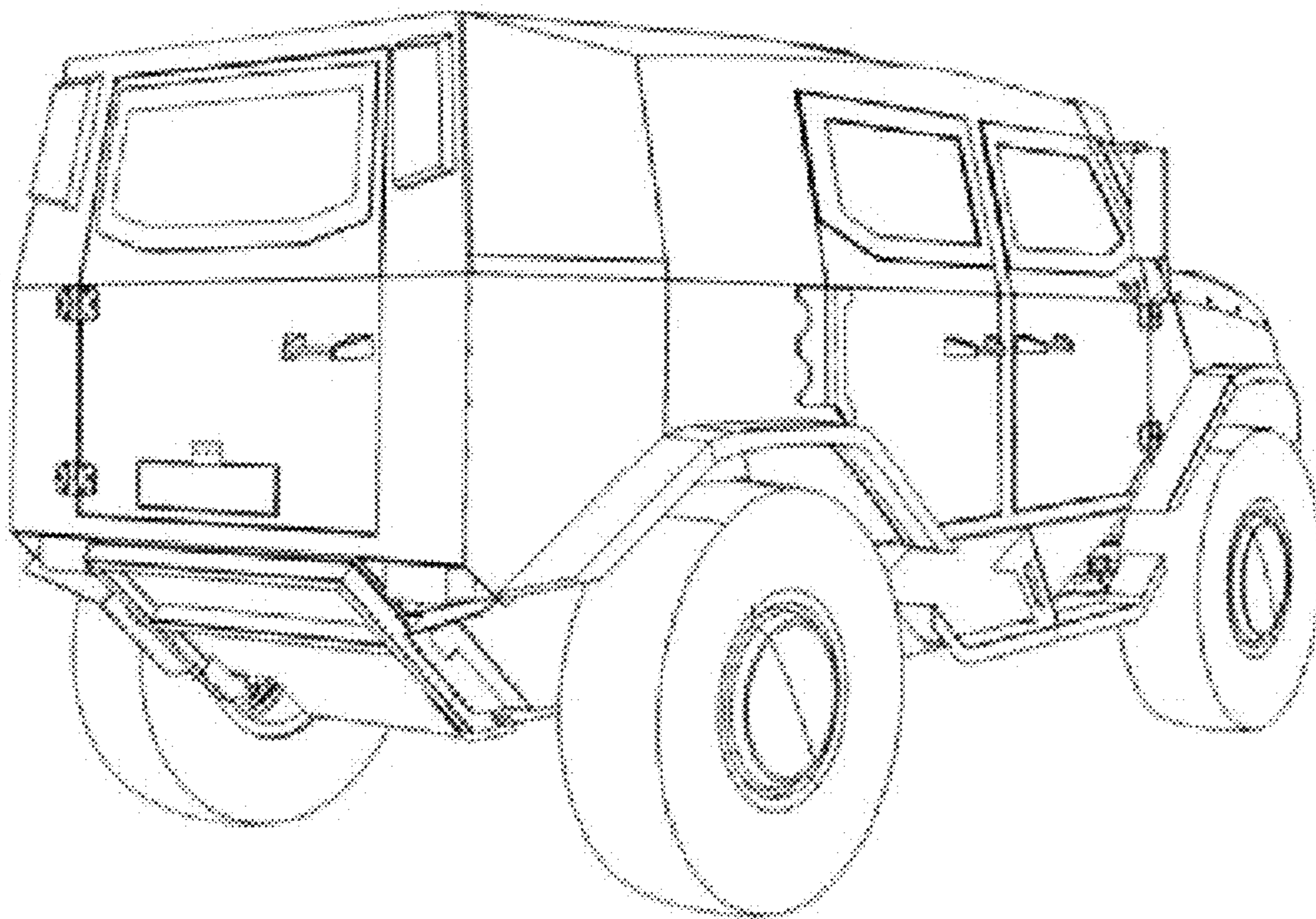


Fig. 4

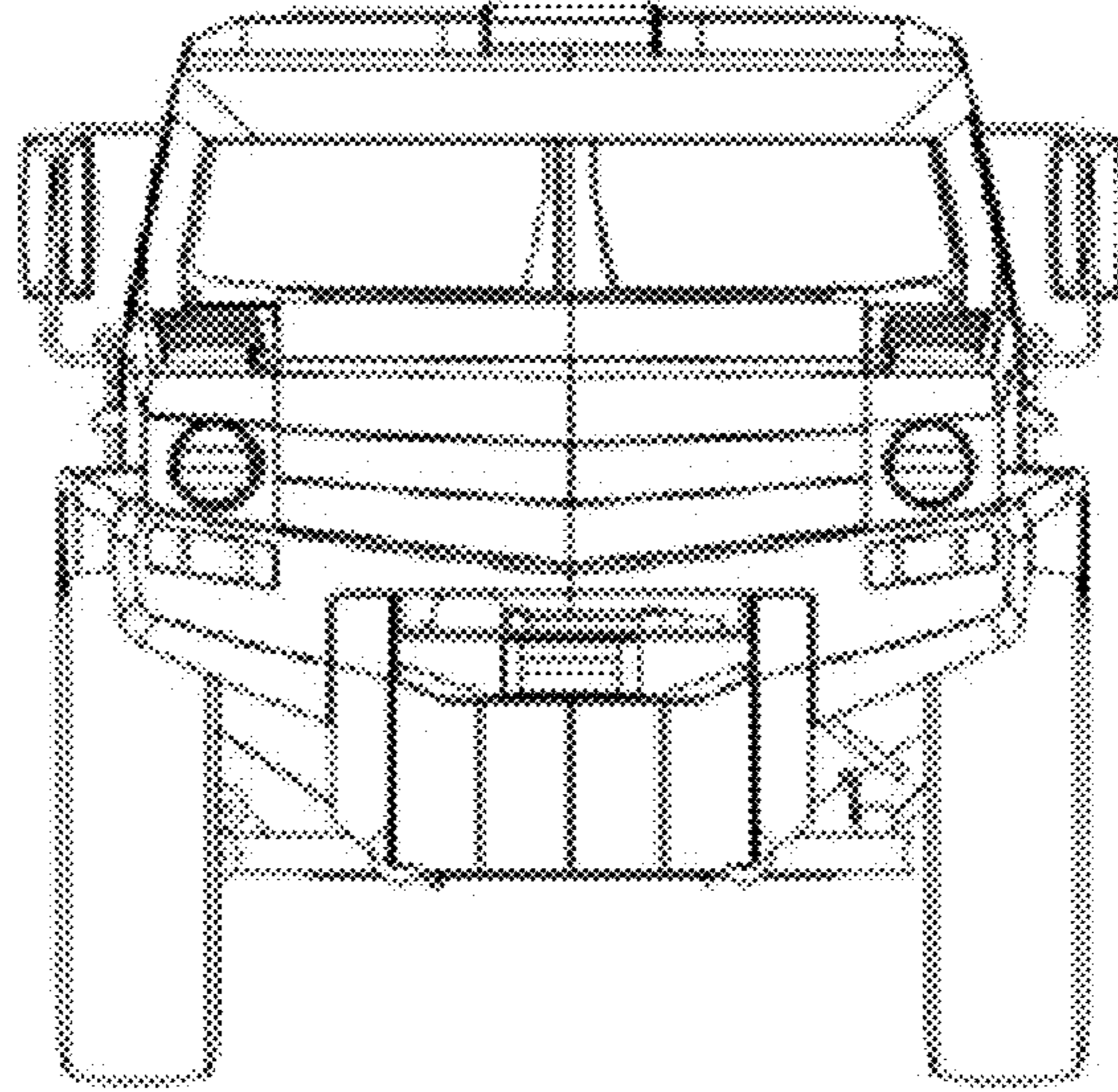


Fig. 5

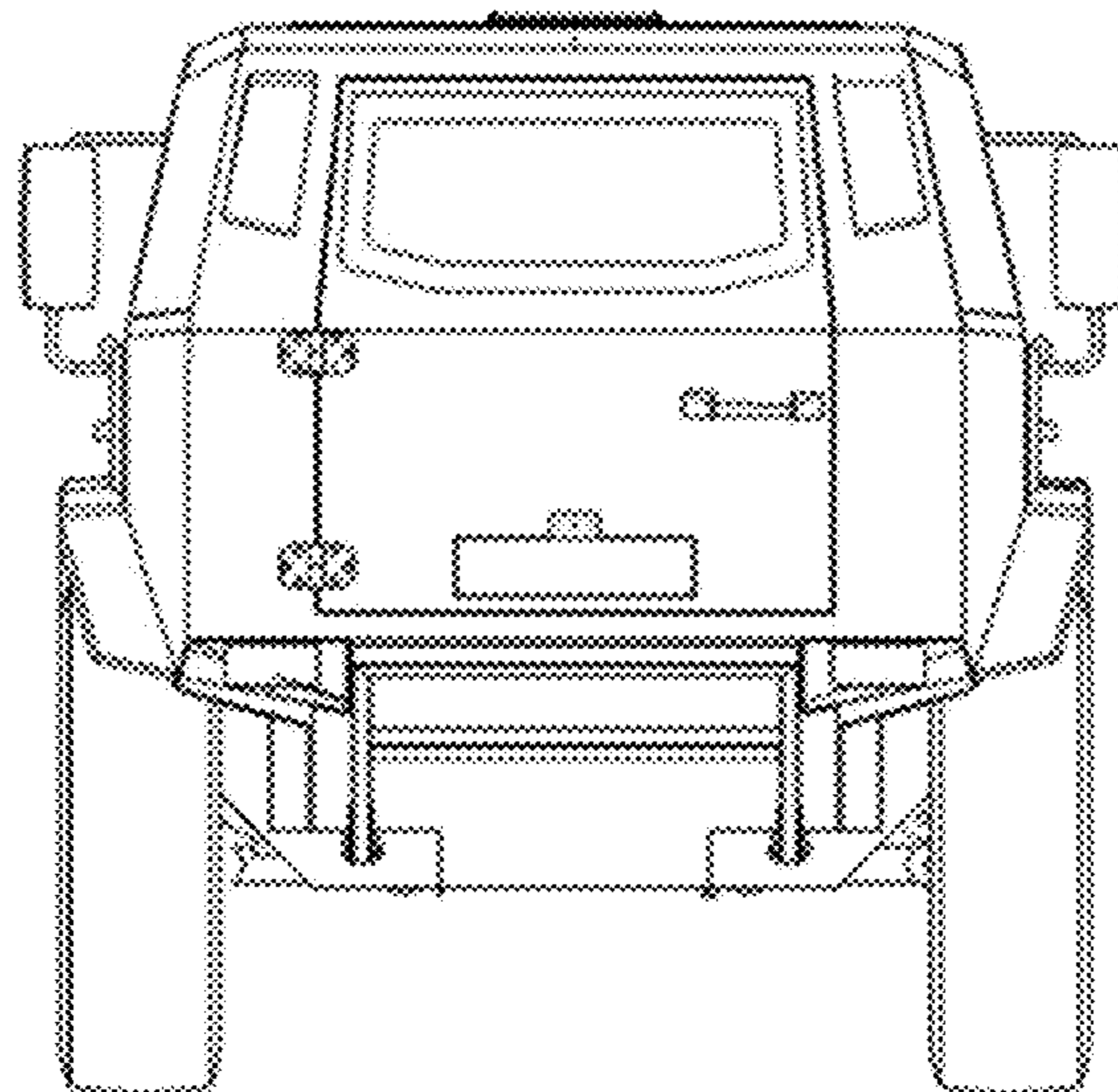


Fig. 6

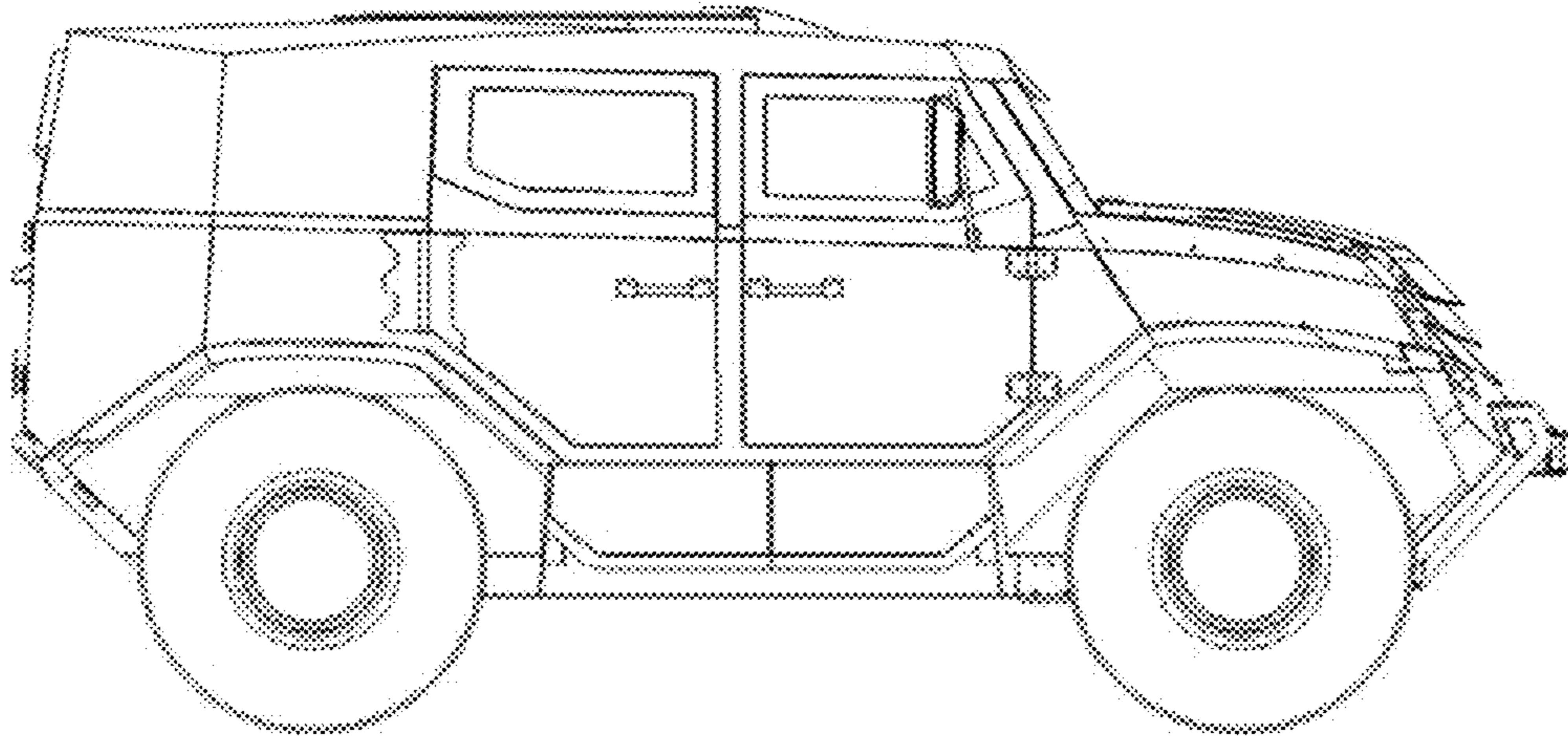


Fig. 7

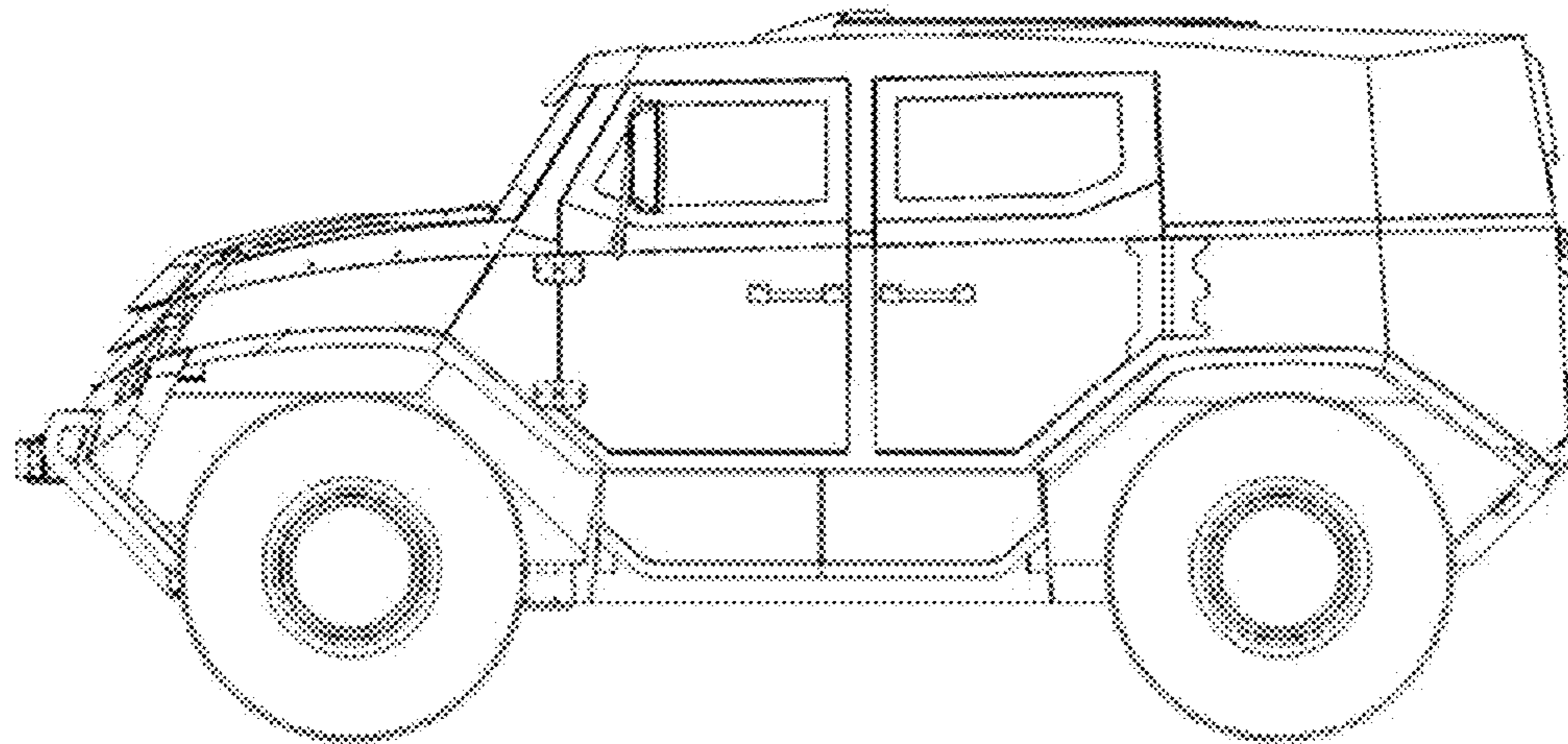


Fig. 8

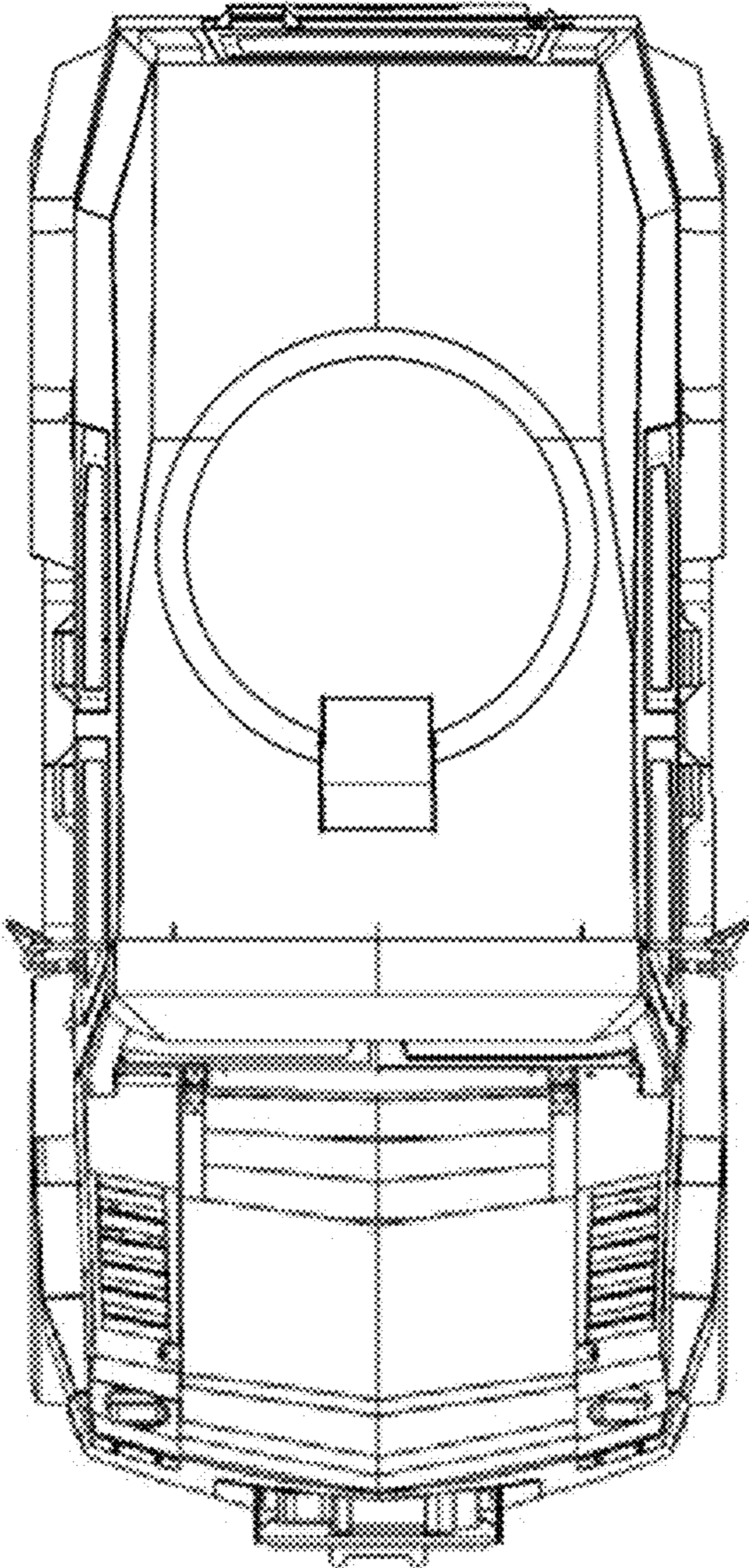


Fig. 9

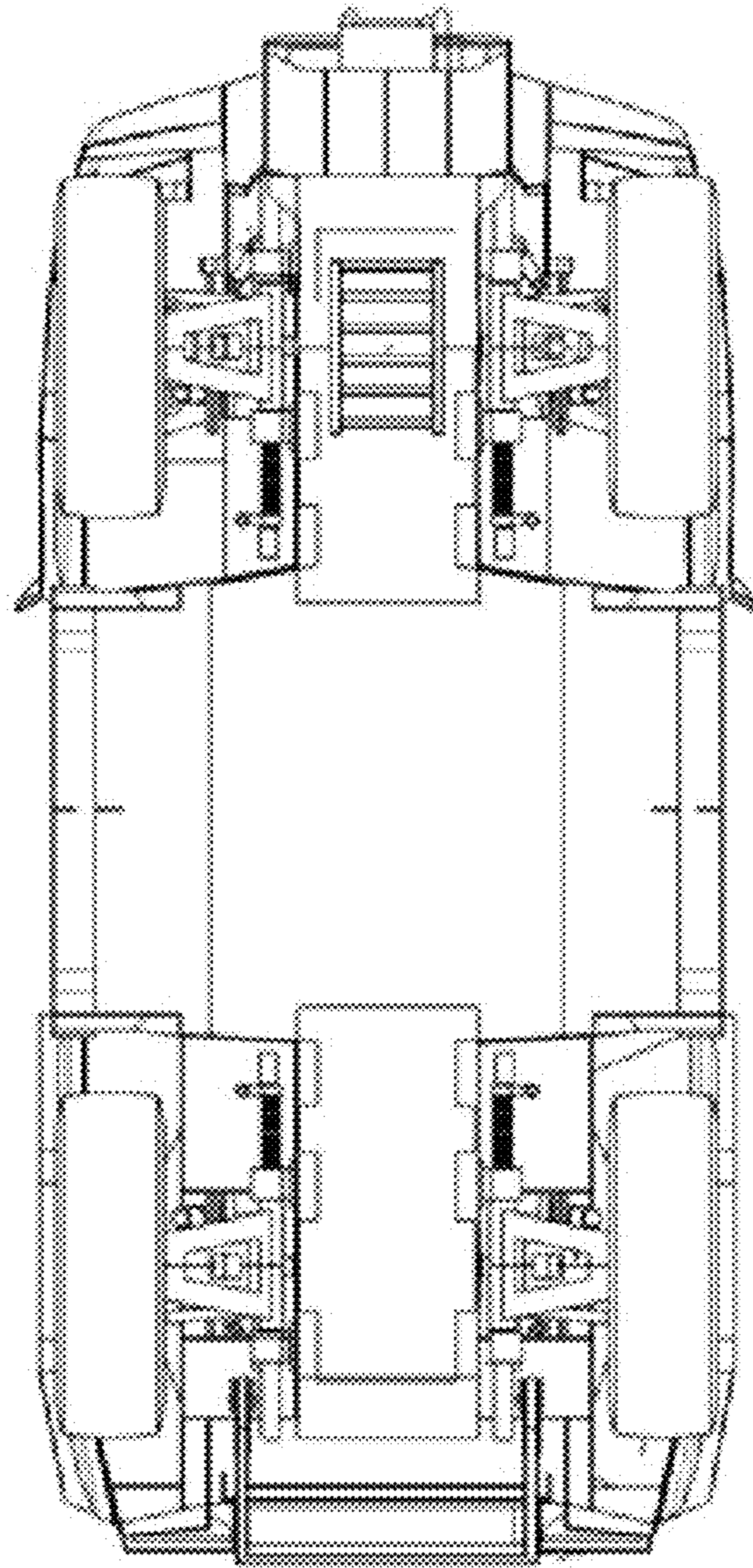


Fig. 10