

US00D760118S

(12) **United States Design Patent**
Lepp et al.

(10) **Patent No.:** **US D760,118 S**
(45) **Date of Patent:** **** Jun. 28, 2016**

(54) **INDOOR PLANTER**

(56) **References Cited**

(71) Applicant: **OÜ Click & Grow**, Tallinn (EE)
(72) Inventors: **Mattias Lepp**, Tallinn (EE); **Sabastian Engwall**, Malmö (SE); **Martin Pråme**, Svedala (SE); **Niels Peter Emme**, Hellerup (DK); **Michael Hansen**, Fåborg (DK); **Tiit Liiv**, Tallinn (EE)
(73) Assignee: **OÜ Click & Glow**, Tallinn (EE)
(**) Term: **14 Years**
(21) Appl. No.: **29/483,508**
(22) Filed: **Feb. 28, 2014**
(30) **Foreign Application Priority Data**

Aug. 30, 2013 (EM) 02300451

(51) **LOC (10) Cl.** **11-02**

(52) **U.S. Cl.**
USPC **D11/142**

(58) **Field of Classification Search**
USPC D6/403–405, 556–559, 570;
D11/143–156, 164; D19/77, 80, 81,
D19/84; D25/15, 100, 105, 113; D26/9, 10,
D26/11, 16, 19; D34/1, 2, 4–6; 47/17, 32.4,
47/32.5, 32.7, 33, 39, 41.01, 41.1,
47/41.11–41.15, 44–47, 63, 65.5, 65.9,
47/66.6, 66.7, 67–71; D8/1

See application file for complete search history.

U.S. PATENT DOCUMENTS

2,138,188	A *	11/1938	Morley	47/29.2
3,082,575	A	3/1963	Schulz		
D244,793	S	6/1977	Ruud		
D244,838	S	6/1977	LeBreux		
D352,478	S	11/1994	Whittle et al.		
5,430,972	A *	7/1995	Wianecki	47/66.6
D416,102	S	11/1999	Schulman et al.		
D586,688	S	2/2009	Bromley et al.		
D604,196	S	11/2009	Bissonnette et al.		
D604,197	S	11/2009	Bissonnette et al.		
D643,172	S *	8/2011	Kraemer	D34/1
8,261,486	B2	9/2012	Bissonnette et al.		
2006/0272210	A1	12/2006	Bissonnette et al.		
2007/0271842	A1	11/2007	Bissonnette et al.		
2011/0113687	A1 *	5/2011	Berk et al.	47/65.9

* cited by examiner

Primary Examiner — Robert M Spear
Assistant Examiner — Marissa J Cash
(74) *Attorney, Agent, or Firm* — Maine Cernota & Rardin

(57) **CLAIM**

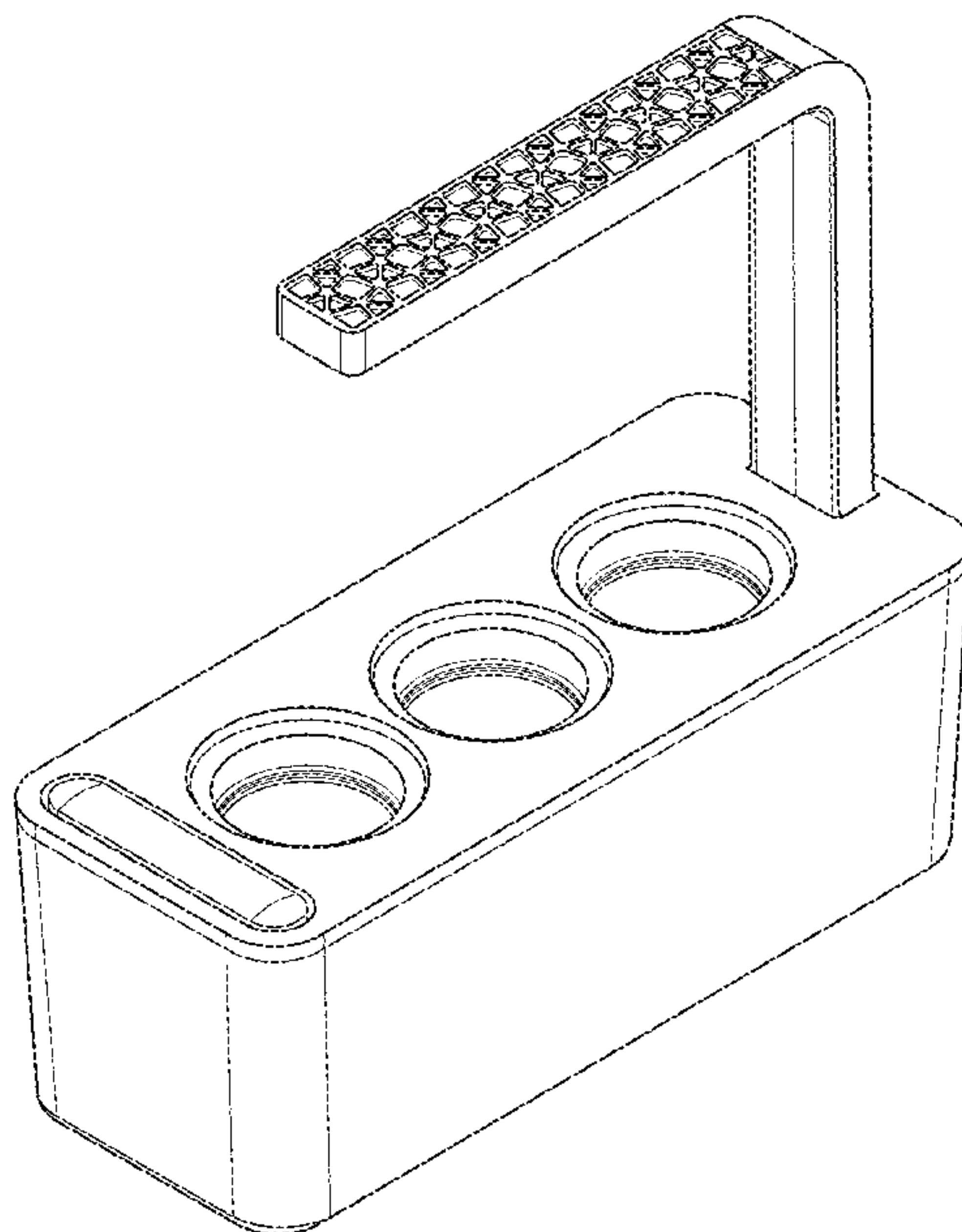
The ornamental design for an indoor planter, as shown and described.

DESCRIPTION

FIG. 1 is a front, top, left side perspective view of the indoor planter, showing our new design;
FIG. 2 is a rear elevation view thereof;
FIG. 3 is a front elevation view thereof;
FIG. 4 is a right side view thereof;
FIG. 5 is a left side view thereof;
FIG. 6 is a top view thereof; and
FIG. 7 is a bottom view thereof.

The broken line portion of the figure drawings is included to show unclaimed subject matter only and forms no part of the claimed design.

1 Claim, 7 Drawing Sheets



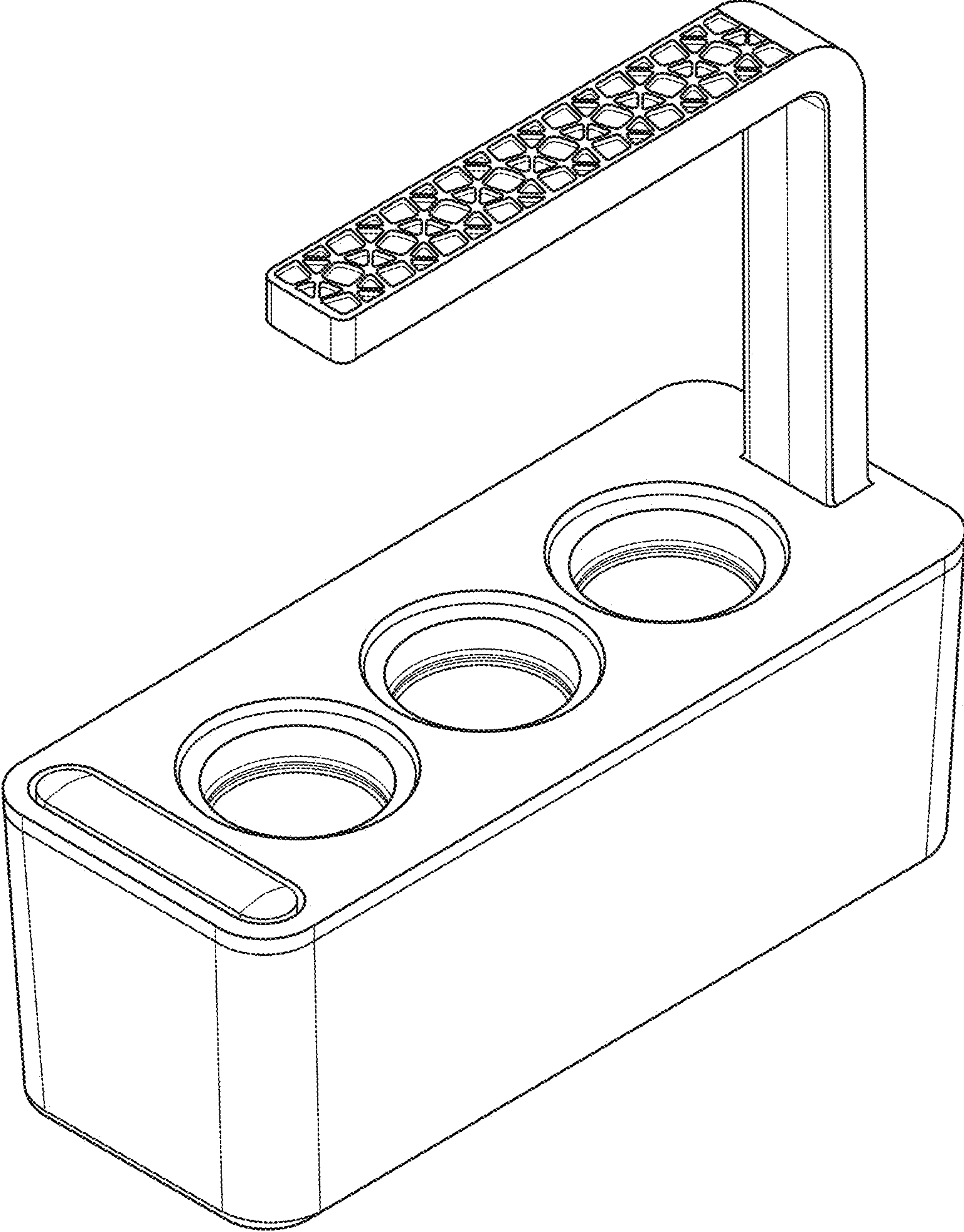


FIG. 1

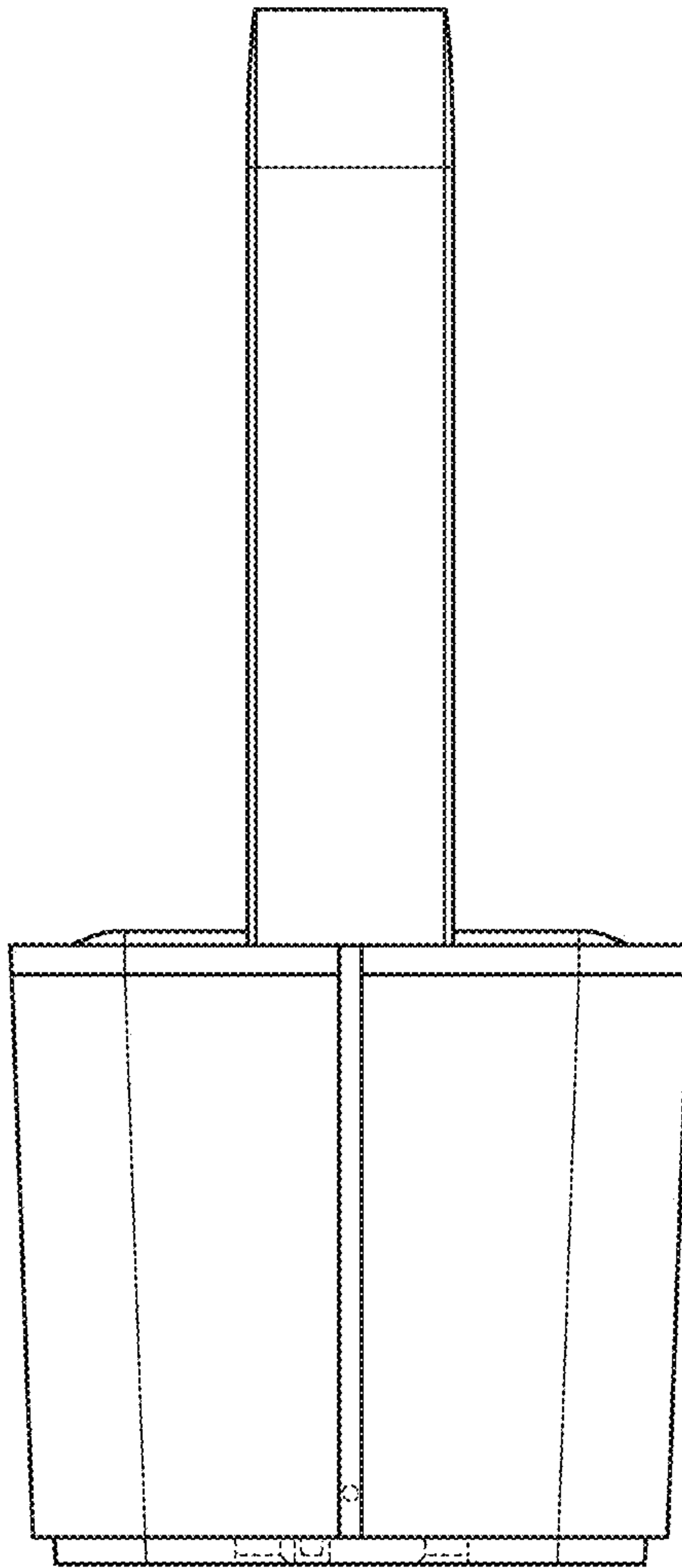


FIG. 2

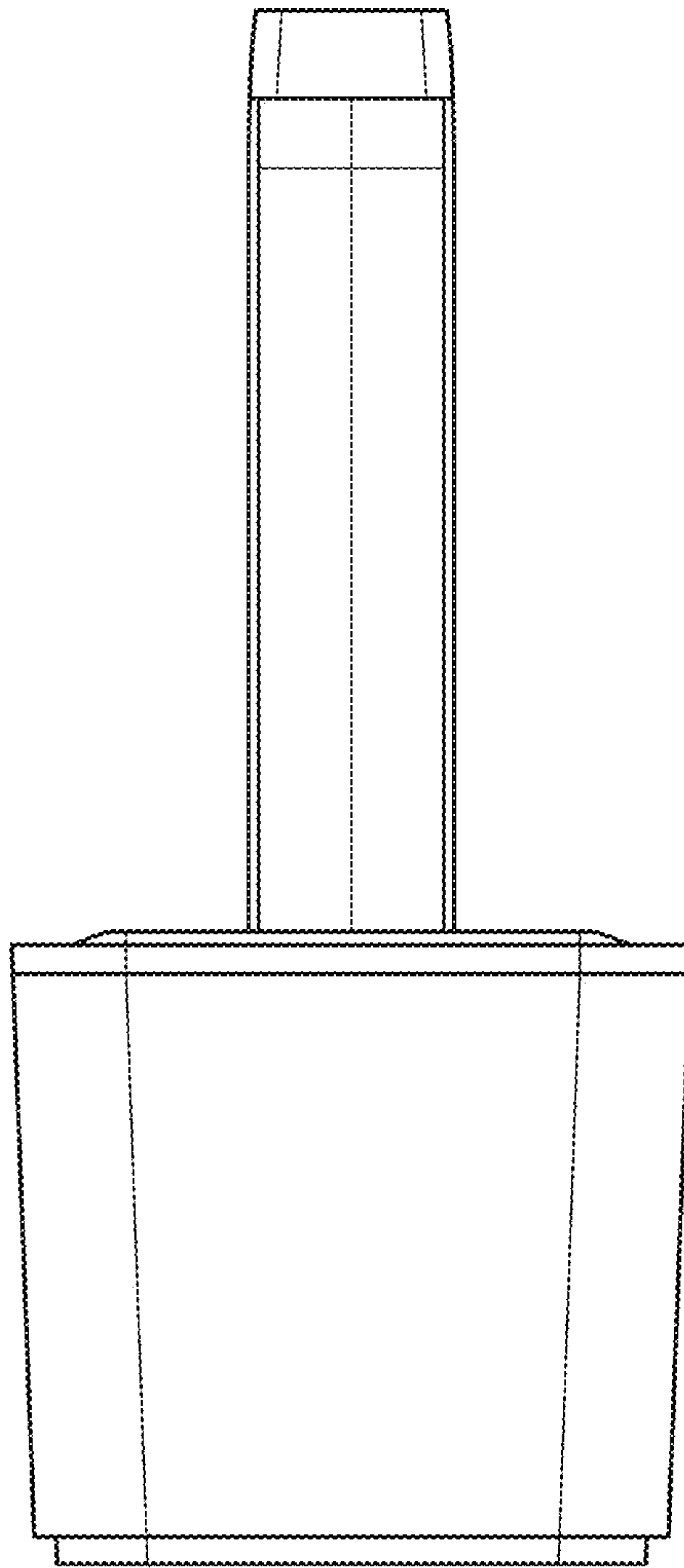


FIG. 3

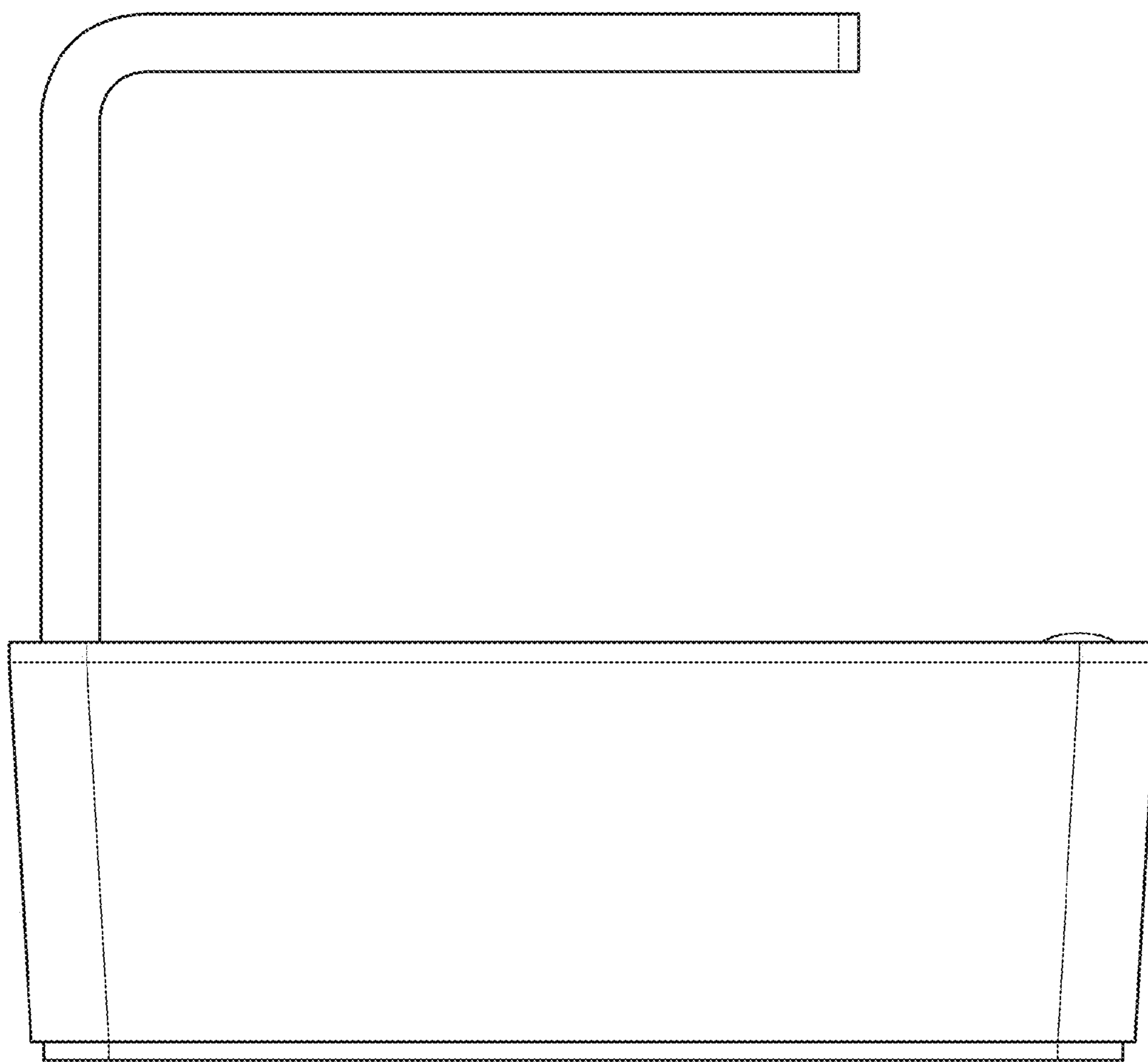


FIG. 4

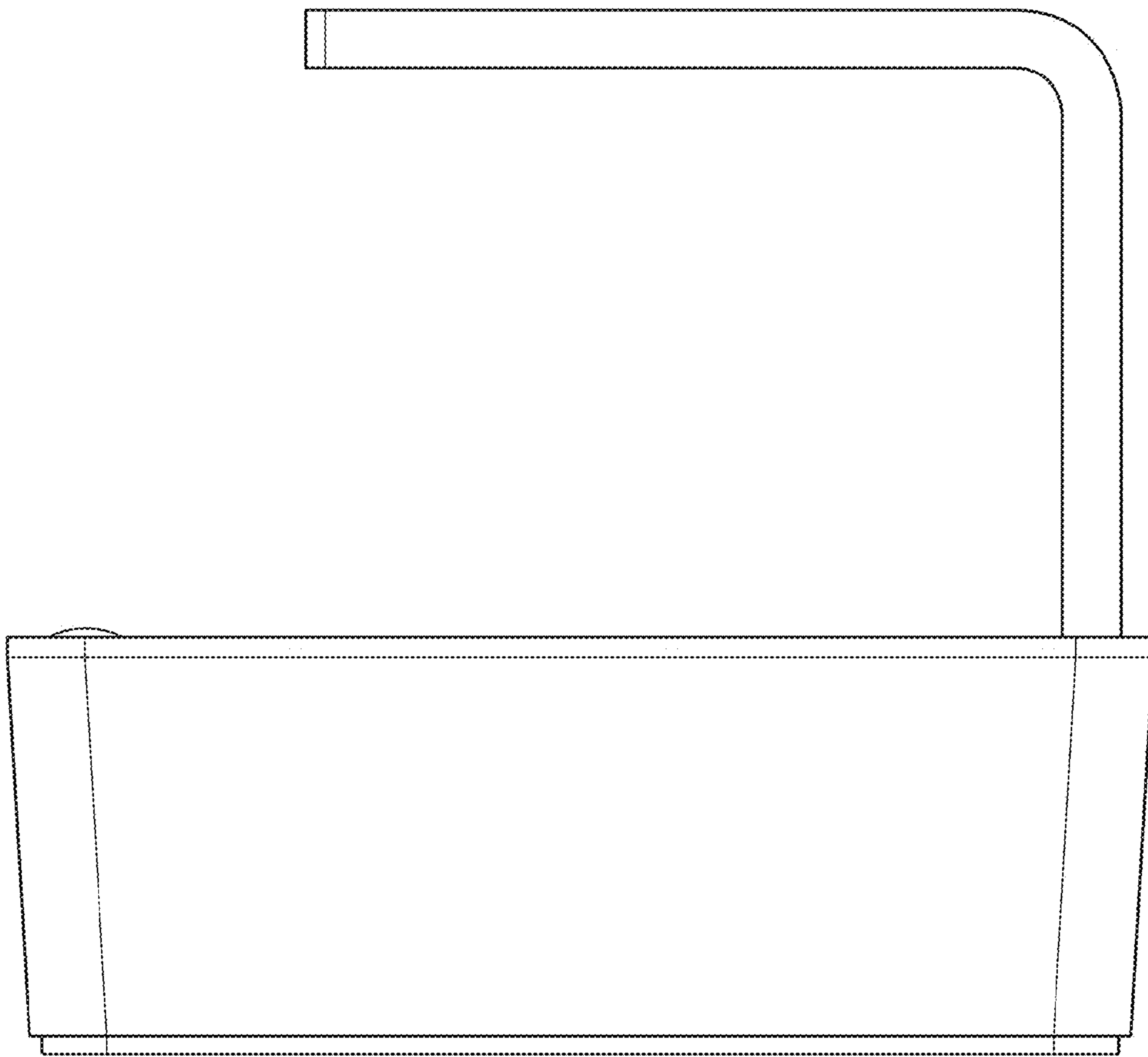


FIG. 5

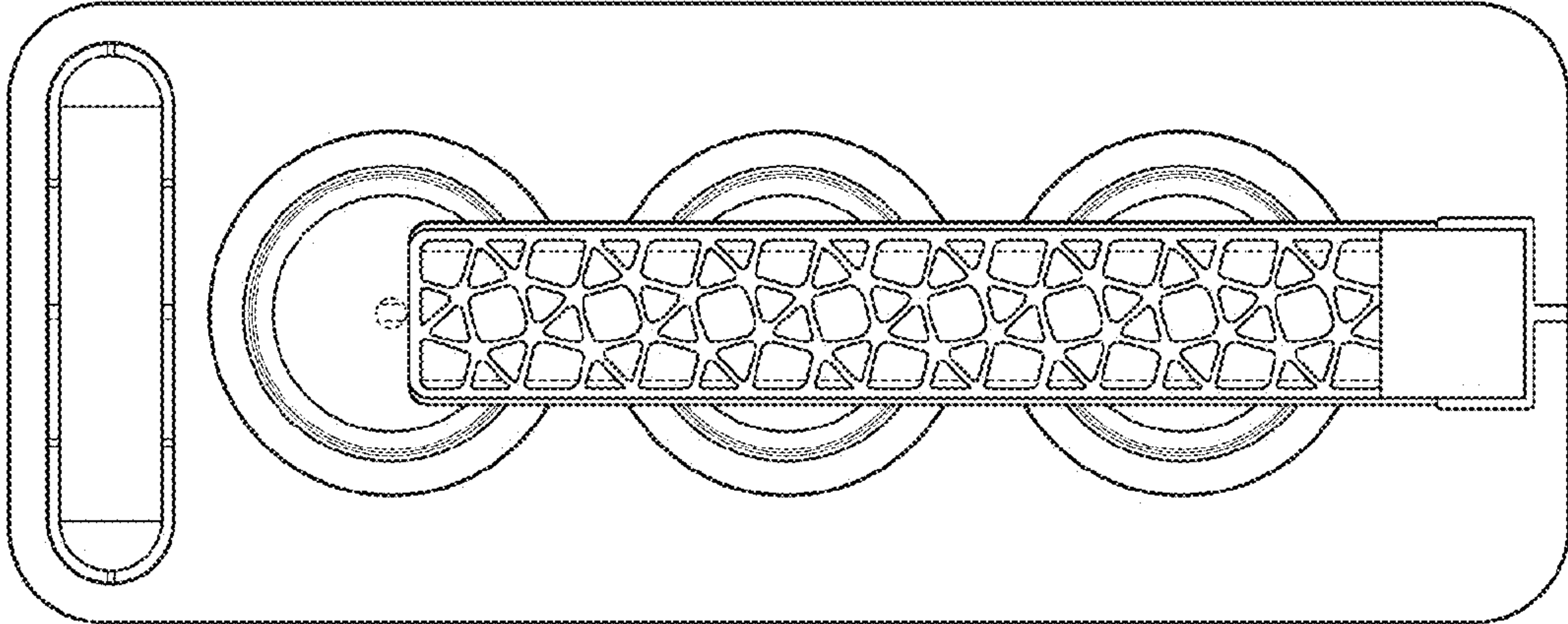


FIG. 6

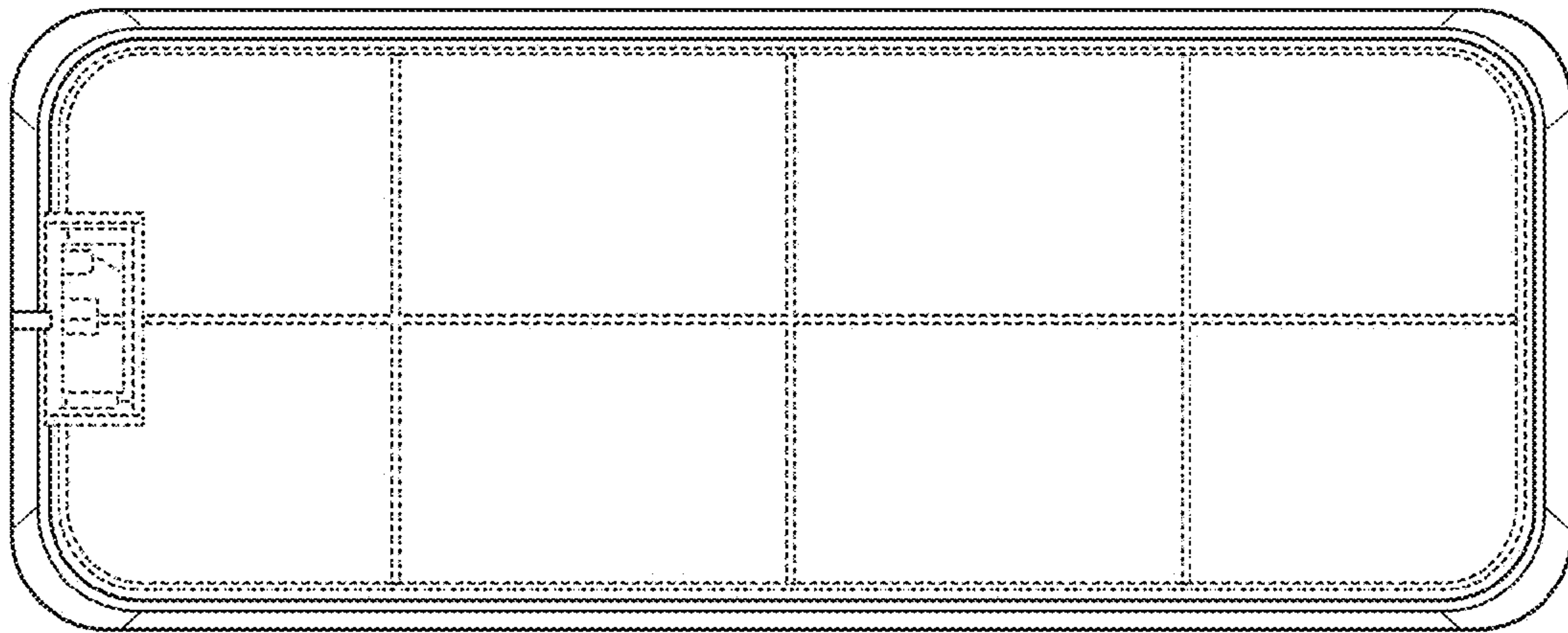


FIG. 7