



US00D760110S

(12) **United States Design Patent**
Miller

(10) **Patent No.:** **US D760,110 S**
(45) **Date of Patent:** **** Jun. 28, 2016**

- (54) **CHAIN EARRING**
- (71) Applicant: **Atocha Treasure Company, LLC**,
Estero, FL (US)
- (72) Inventor: **Kenny Miller**, Estero, FL (US)
- (73) Assignee: **Atocha Treasure Company, LLC**,
Estero, FL (US)
- (**) Term: **14 Years**
- (21) Appl. No.: **29/507,705**
- (22) Filed: **Oct. 30, 2014**
- (51) **LOC (10) Cl.** **11-01**
- (52) **U.S. Cl.**
USPC **D11/44**
- (58) **Field of Classification Search**
USPC D11/1, 2, 7, 8, 40-47, 79-86;
D12/122-124
CPC A44C 7/00; A44C 7/002; A44C 7/003;
A44C 7/004; A44C 7/005; A44C 7/006;
A44C 7/007; A44C 7/008; A44C 7/009;
A44C 5/02; A44C 5/022; A44C 25/00;
A44C 25/001; A44C 25/007
See application file for complete search history.

D545,234 S *	6/2007	Sogoyan	D11/13
D547,687 S *	7/2007	So	D11/13
D577,905 S *	10/2008	Hu	D3/207
D581,306 S *	11/2008	So	D11/13
D581,307 S *	11/2008	So	D11/13
D584,983 S *	1/2009	So	D11/13
D691,507 S *	10/2013	Stanev	D11/26
D707,583 S *	6/2014	Kalemos	D11/87
D719,045 S *	12/2014	Miller	D11/13
D719,046 S *	12/2014	Miller	D11/13
D752,470 S *	3/2016	Miller	D11/13
2007/0084243 A1 *	4/2007	Moore	A44C 11/002 63/38

OTHER PUBLICATIONS

[Online] <https://www.cycleheart.com/all-black-bike-chain-earrings>. Available online as early as Mar. 25, 2016 via archive.org. Retrieved Apr. 27, 2016.*

* cited by examiner

Primary Examiner — Garth Rademaker
Assistant Examiner — Melanie Pellegrini
(74) *Attorney, Agent, or Firm* — Kevin Keener; Keener and Associates P.C.

(57) **CLAIM**
The ornamental design for a chain earring, as shown and described.

(56) **References Cited**

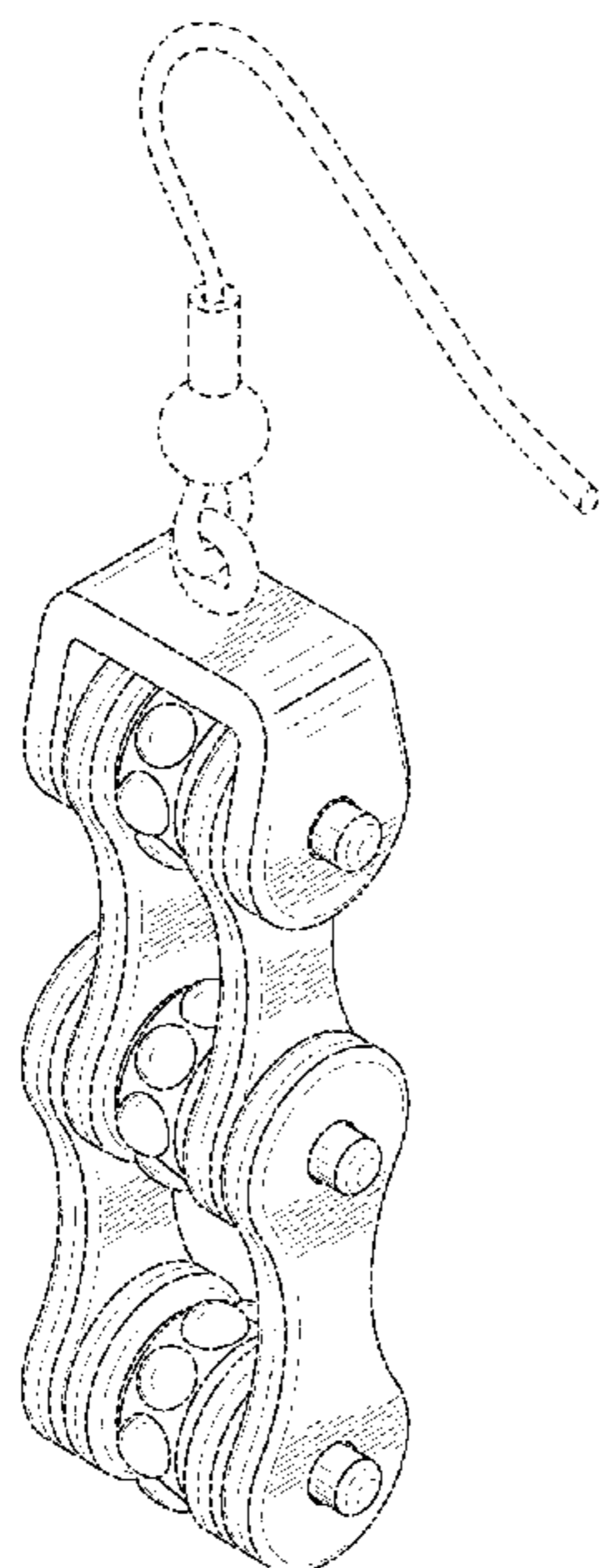
U.S. PATENT DOCUMENTS

D25,501 S *	5/1896	Wood	D11/81
D246,830 S *	1/1978	Lossini	D11/12
D292,144 S *	10/1987	McClure	D11/81
D333,279 S *	2/1993	Fryklund	D11/40
D400,468 S *	11/1998	Norman	D11/81
D412,058 S *	7/1999	Edworthy	D3/208
D416,509 S *	11/1999	O'Meara	D11/71
D435,766 S *	1/2001	Kingsley	D3/210
D479,768 S *	9/2003	Macevicz	D3/211

DESCRIPTION

FIG. 1 is a top perspective view of a chain earring; FIG. 2 is an enlarged sectional view of a link of the chain earring shown separately for completeness of illustration; FIG. 3 is a front elevational view thereof; and, FIG. 4 is a side elevational view thereof. The broken lines shown in the drawings illustrate portions of the chain earring that form no part of the claimed design.

1 Claim, 3 Drawing Sheets



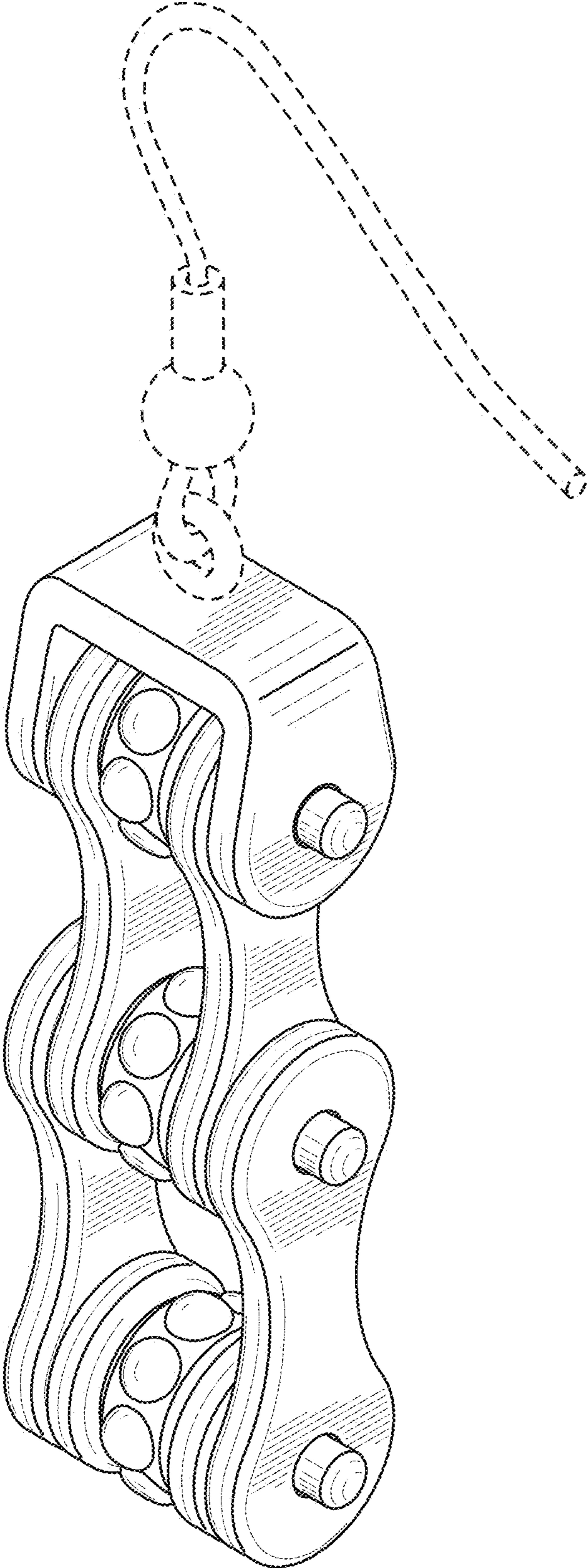


FIG. 1

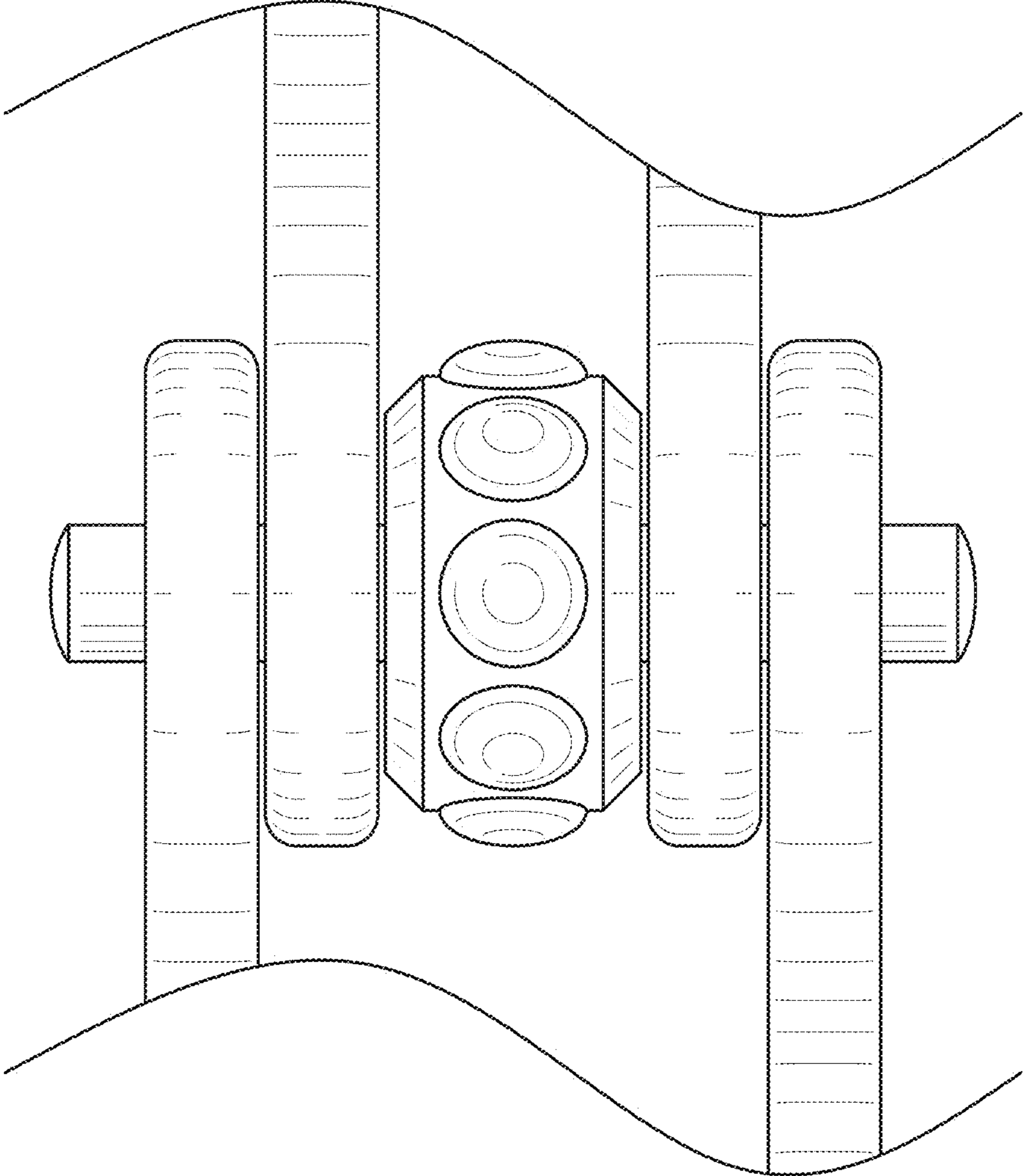


FIG. 2

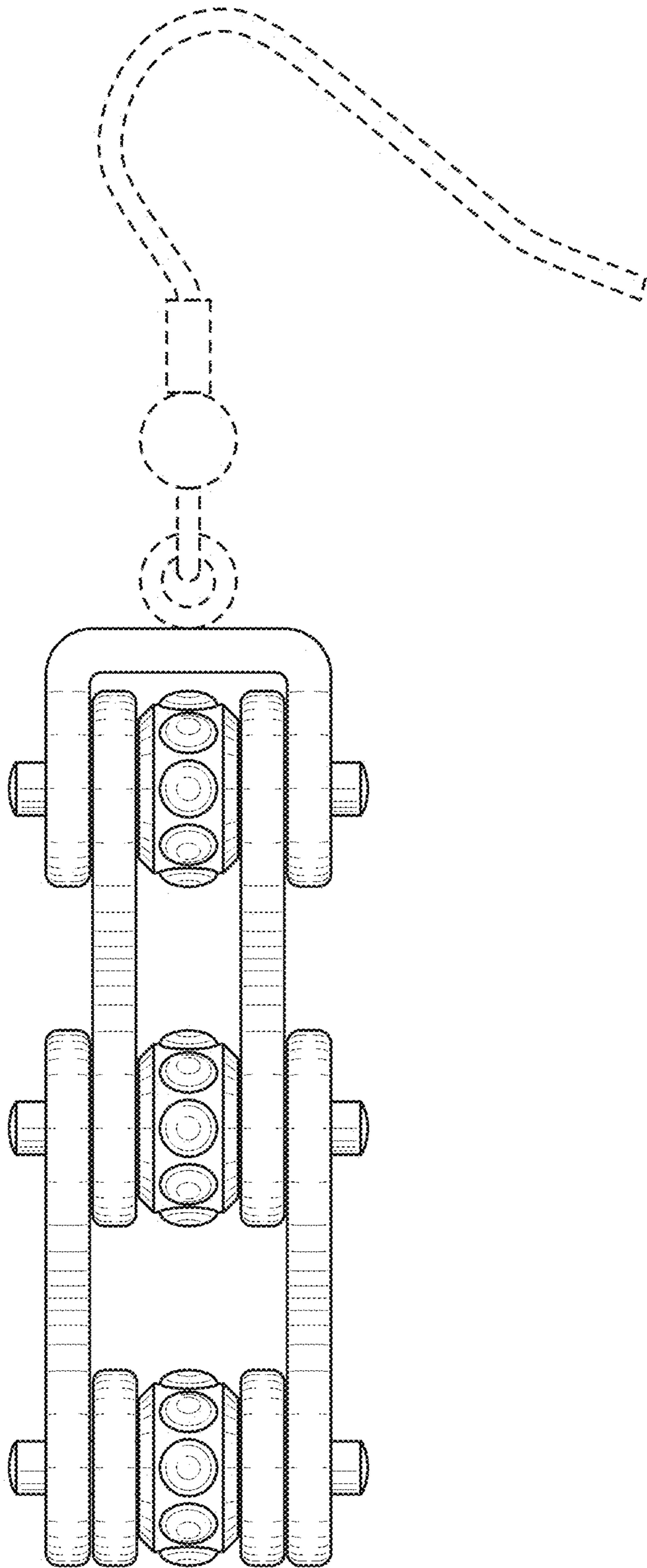


FIG. 3

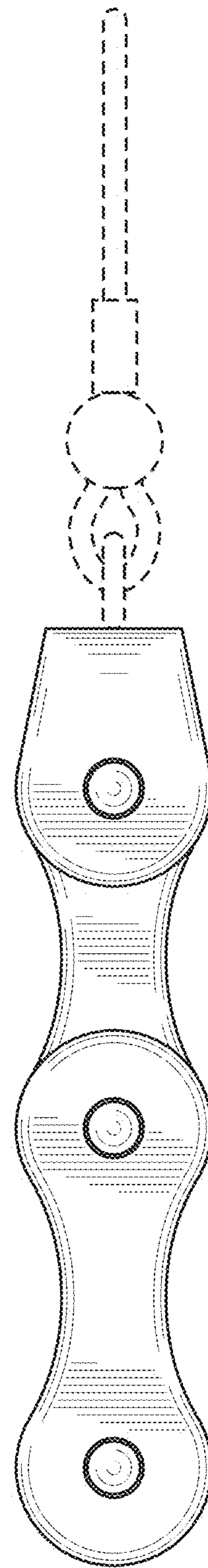


FIG. 4