

US00D760107S

(12) **United States Design Patent**
Akana et al.

(10) **Patent No.:** **US D760,107 S**
(45) **Date of Patent:** **** Jun. 28, 2016**

(54) **BAND**

(71) Applicant: **Apple Inc.**, Cupertino, CA (US)

(72) Inventors: **Jody Akana**, San Francisco, CA (US);
Bartley K. Andre, Palo Alto, CA (US);
Shota Aoyagi, San Francisco, CA (US);
Anthony Michael Ashcroft, San Francisco, CA (US);
Jeremy Bataillou, San Francisco, CA (US);
Daniel J. Coster, San Francisco, CA (US);
Daniele De Iuliis, San Francisco, CA (US);
M. Evans Hankey, San Francisco, CA (US);
Julian Hoenig, San Francisco, CA (US);
Richard P. Howarth, San Francisco, CA (US);
Jonathan P. Ive, San Francisco, CA (US);
Duncan Robert Kerr, San Francisco, CA (US);
Marc A. Newson, London (GB);
Matthew Dean Rohrbach, San Francisco, CA (US);
Peter Russell-Clarke, San Francisco, CA (US);
Benjamin Andrew Shaffer, San Jose, CA (US);
Mikael Silvanto, San Francisco, CA (US);
Christopher J. Stringer, Woodside, CA (US);
Eugene Antony Whang, San Francisco, CA (US);
Rico Zörkendörfer, San Francisco, CA (US)

(73) Assignee: **Apple Inc.**, Cupertino, CA (US)

(**) Term: **14 Years**

(21) Appl. No.: **29/519,229**

(22) Filed: **Mar. 3, 2015**

Related U.S. Application Data

(63) Continuation of application No. 29/498,996, filed on Aug. 11, 2014, now Pat. No. Des. 731,346.

(51) **LOC (10) Cl.** **11-01**

(52) **U.S. Cl.**
USPC **D11/5**

(58) **Field of Classification Search**

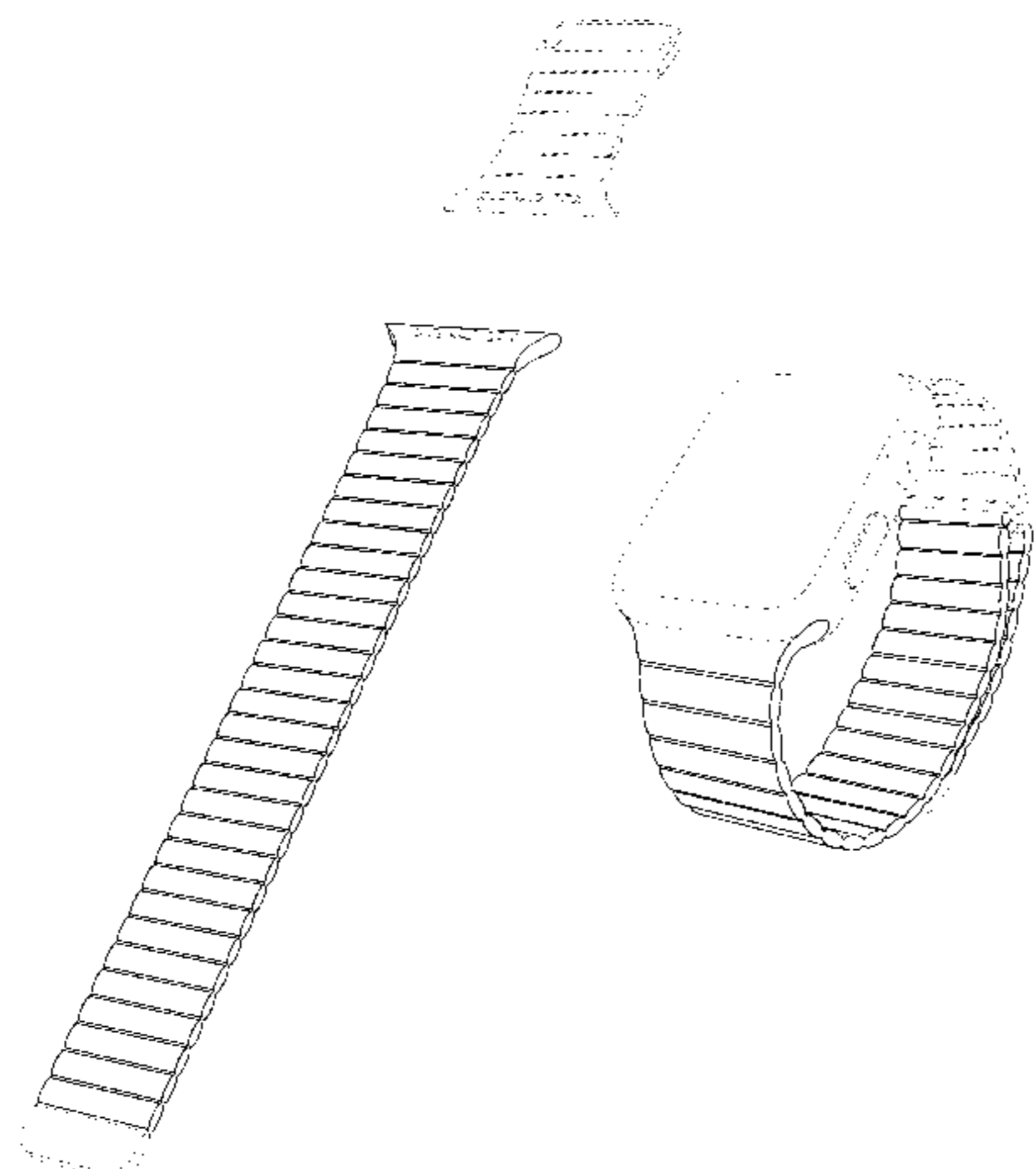
USPC D11/1-25, 86, 93, 94; D10/30-39, 70,
D10/46; 24/456, 574.1, 587.11, 587.12,
24/578.15; 600/301; 224/164, 175;
368/276, 281, 282, 285
CPC G04B 37/1486; G04B 37/16; G04B 37/18;
A44C 5/14; A44C 5/0053; A44C 5/0069;
A44C 5/0076; A44C 5/00; A44C 5/0007;
A44C 5/0015; A44C 5/0023; A44C 5/003;
A44C 5/0061; A44C 5/12; A44C 5/147;
A44C 5/18; A44C 5/185

See application file for complete search history.

(56) **References Cited**

U.S. PATENT DOCUMENTS

1,738,407	A	12/1929	Tost	
1,764,440	A	6/1930	Gammell et al.	
1,786,943	A	12/1930	Gammell	
D152,491	S	1/1949	Osier	
3,030,686	A	4/1962	Burkhardt	
3,372,500	A	3/1968	Claude	
3,550,824	A *	12/1970	Bohanski F21V 21/08 224/197
3,665,565	A	5/1972	Kruger	
3,675,284	A	7/1972	Rieth	
3,803,834	A	4/1974	Reese	
D249,244	S	9/1978	Salter	
D250,634	S	12/1978	Porsche	
D256,568	S	8/1980	Young	
4,266,400	A	5/1981	Tabata	
D269,254	S	6/1983	Kishimoto	
D287,705	S	1/1987	Malamoud	
D289,381	S *	4/1987	Schneider D10/32
D299,718	S	2/1989	Steer et al.	
D305,422	S	1/1990	Steer et al.	
D310,334	S *	9/1990	Jahan D10/32
D331,020	S	11/1992	Ishii et al.	
D333,626	S	3/1993	Chang	
D349,864	S	8/1994	Dunlap et al.	
5,363,351	A	11/1994	Carney	
D355,375	S	2/1995	Bandy, II	
D365,286	S	12/1995	Florian	
D408,301	S	4/1999	Porsche et al.	
D455,093	S	4/2002	Fitzgerald	
D473,818	S	4/2003	Salvisberg	
D488,392	S	4/2004	Tschumi	
D494,098	S	8/2004	Cohen	
6,782,690	B2	8/2004	Kwan	



7,013,631	B2	3/2006	Carrola	
D528,439	S	9/2006	Burton	
D528,928	S	9/2006	Burton	
D536,265	S	2/2007	Reynoso	
D538,687	S	3/2007	Komulainen	
D549,602	S	8/2007	Oberrieder et al.	
D550,105	S	9/2007	Oberrieder et al.	
D560,520	S	1/2008	Oberrieder et al.	
D569,282	S	5/2008	Daniel	
D573,905	S	7/2008	Poirier	
D581,811	S	12/2008	Messmer et al.	
D588,472	S	3/2009	Messmer et al.	
D610,476	S	2/2010	Daniel	
D614,512	S *	4/2010	Monachon	D10/32
D631,761	S	2/2011	Barbier	
D645,360	S	9/2011	Kiser et al.	
D670,583	S	11/2012	Shaanan	
D672,667	S	12/2012	Mix	
8,601,784	B2	12/2013	Kaltenrieder	
D704,077	S	5/2014	Monachon	
D724,469	S	3/2015	Akana et al.	
D727,197	S	4/2015	Akana et al.	
D727,198	S	4/2015	Akana et al.	
D727,199	S	4/2015	Akana et al.	
D727,787	S	4/2015	Akana et al.	
D731,346	S *	6/2015	Akana	D11/3
D736,664	S *	8/2015	Paradise	D11/3
D737,156	S *	8/2015	Akana	D10/32
2005/0210857	A1	9/2005	Carrola	
2014/0096345	A1	4/2014	Tschumi	
2014/0098649	A1	4/2014	Tschumi	

FOREIGN PATENT DOCUMENTS

CN	2613171	Y	4/2004
DE	10311560	A1	9/2004
EP	2636328	A1	9/2013
FR	906187-001		2/1991
GB	618917	A	3/1949
GB	2047514	A	12/1980
GB	2082277		5/1984
GB	2033807		3/1994
JP	D1130391		1/2002
JP	D1194393		1/2004
JP	D1329491		5/2008
JP	D1337213		8/2008
JP	D1348945		1/2009
JP	D1350052		2/2009
JP	D1465158		3/2013
KR	30-0476859		1/2008
KR	30-0476860		1/2008
WO	DM/024020-001		11/1992
WO	DM052310		6/2000
WO	DM/060838-003		9/2002
WO	2013182397	A1	12/2013

OTHER PUBLICATIONS

[Online] https://support.apple.com/library/content/dam/edam/applecare/images/en_US/applewatch/watch-leather-loop-band-fasten.jpg. Retrieved Dec. 9, 2015.*

JPO's Document No. HA23009178, Real Design No. 3, vol. 7, p. 11, Jan. 16, 2012, Ei Publishing Co., Ltd. (Japan).

JPO's Document No. HB26003714, Global Sources Gifts & Premiums No. 6, vol. 8, p. 17. Aug. 7, 2014, Trade Media Holdings Ltd. (Hong Kong).

CBWatches.com, "Braun Men's Prestige Digital Watch BN0106BKBIG With Black Plated Stainless Steel Case And Bracelet," <<http://cbwatches.com/shop/braun-mens-prestige-digital-watch-bn0106bkbgtg-with-black-plated-stainless-steel-case-and-bracelet/>>, accessed Dec. 17, 2014.

Haedges, "1 Set Silver End Cap Clasp—Findings Large Toggle Clasp End Caps Buckle Connector with Five Inside Loops for Jewelry

Making 26mm," <<http://www.etsy.com/listing/101269004/1-set-silver-end-cap-clasp-findings?ref=market>>, Listed on Aug. 29, 2014, accessed Oct. 9, 2014.

Metal Watch Band Silver Tone Stainless Steel Simple Narrow Expansion Band with Expandable Ends 8-11MM, <<http://www.esslinger.com/11mm-silver-narrow-expansion-replacement-watch-band-for-women.aspx>>, accessed Dec. 5, 2014.

[Online] <http://cnet4.cbsistatic.com/hub/i/r/2014/09/09/1d101da2-7abd-40aa-b0c9-94e4f9b27b95/thumbnail/770x433/c2705e97ac76cc74f2c19abc83929de9/apple-event-apple-watch-5446.jpg>. Retrieved on Feb. 17, 2015.

U.S. Appl. No. 29/498,987, filed Aug. 11, 2014.

U.S. Appl. No. 29/499,052, filed Aug. 11, 2014.

U.S. Appl. No. 29/499,061, filed Aug. 11, 2014.

U.S. Appl. No. 29/499,067, filed Aug. 11, 2014.

U.S. Appl. No. 29/499,068, filed Aug. 11, 2014.

U.S. Appl. No. 29/499,069, filed Aug. 11, 2014.

U.S. Appl. No. 29/499,080, filed Aug. 11, 2014.

U.S. Appl. No. 29/499,081, filed Aug. 11, 2014.

U.S. Appl. No. 29/499,082, filed Aug. 11, 2014.

U.S. Appl. No. 29/499,088, filed Aug. 11, 2014.

U.S. Appl. No. 29/499,090, filed Aug. 11, 2014.

U.S. Appl. No. 29/499,091, filed Aug. 11, 2014.

U.S. Appl. No. 29/501,152, filed Sep. 2, 2014.

U.S. Appl. No. 29/501,624, filed Sep. 5, 2014.

U.S. Appl. No. 29/501,720, filed Sep. 8, 2014.

U.S. Appl. No. 29/501,722, filed Sep. 8, 2014.

U.S. Appl. No. 29/501,723, filed Sep. 8, 2014.

U.S. Appl. No. 29/501,733, filed Sep. 8, 2014.

U.S. Appl. No. 29/501,737, filed Sep. 8, 2014.

U.S. Appl. No. 29/501,746, filed Sep. 8, 2014.

U.S. Appl. No. 29/501,759, filed Sep. 8, 2014.

U.S. Appl. No. 29/501,760, filed Sep. 8, 2014.

U.S. Appl. No. 29/501,766, filed Sep. 8, 2014.

U.S. Appl. No. 29/501,772, filed Sep. 8, 2014.

U.S. Appl. No. 29/501,775, filed Sep. 8, 2014.

* cited by examiner

Primary Examiner — Garth Rademaker
Assistant Examiner — Melanie Pellegrini
 (74) *Attorney, Agent, or Firm* — Sterne, Kessler, Goldstein & Fox P.L.L.C.

(57) **CLAIM**
 The ornamental design for a band, as shown and described.

DESCRIPTION

FIG. 1 is a bottom front perspective view of a band showing our new design;
 FIG. 2 is a bottom rear perspective view thereof;
 FIG. 3 is a front view thereof;
 FIG. 4 is a rear view thereof;
 FIG. 5 is a right side view thereof;
 FIG. 6 is a left side view thereof;
 FIG. 7 is a top view thereof;
 FIG. 8 is a bottom view thereof; and,
 FIG. 9 is a perspective view thereof showing the band in an environment in which it may be used.
 The broken lines in the Figures show portions of the band and environment that form no part of the claimed design.

1 Claim, 6 Drawing Sheets

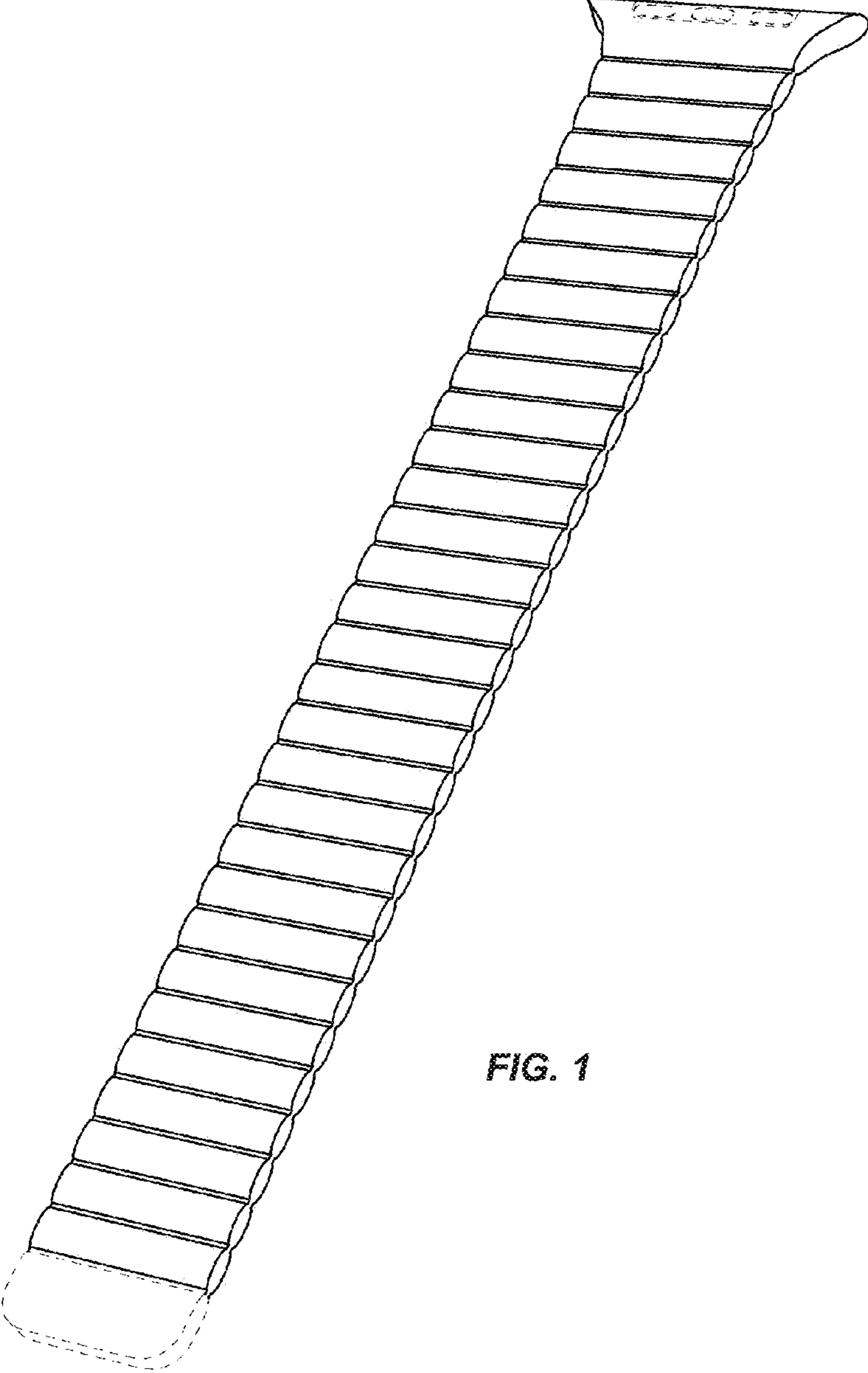
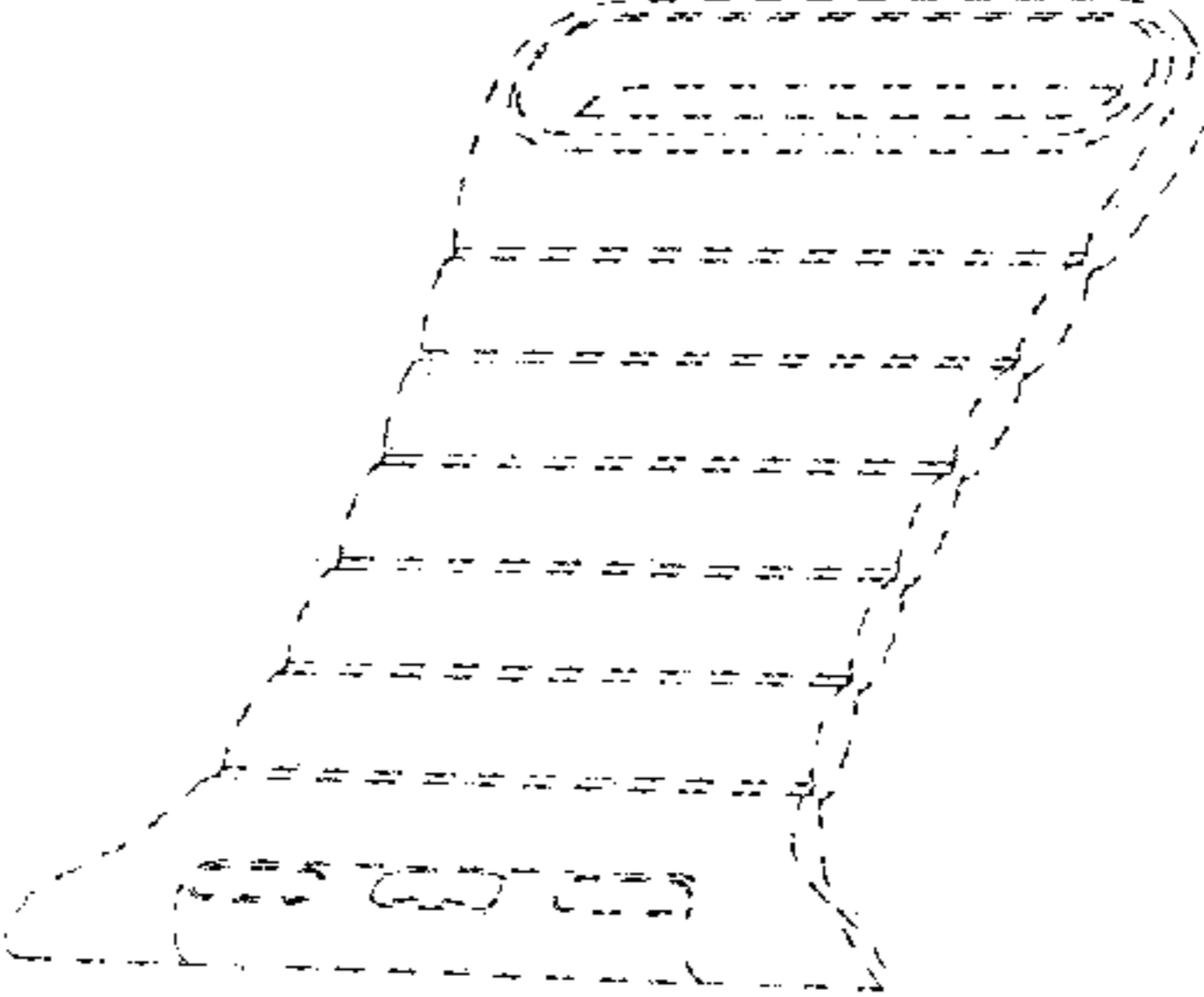


FIG. 1

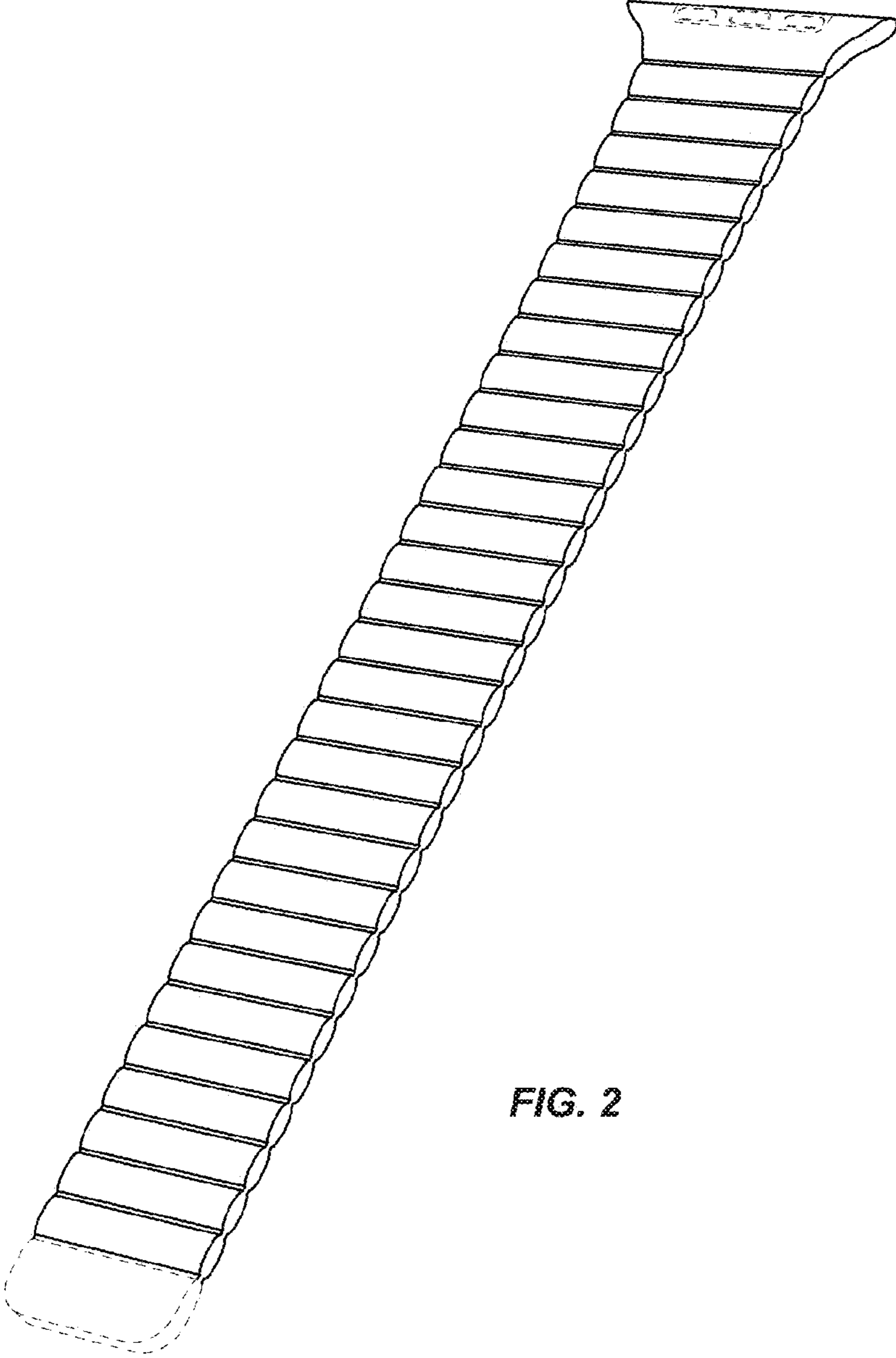
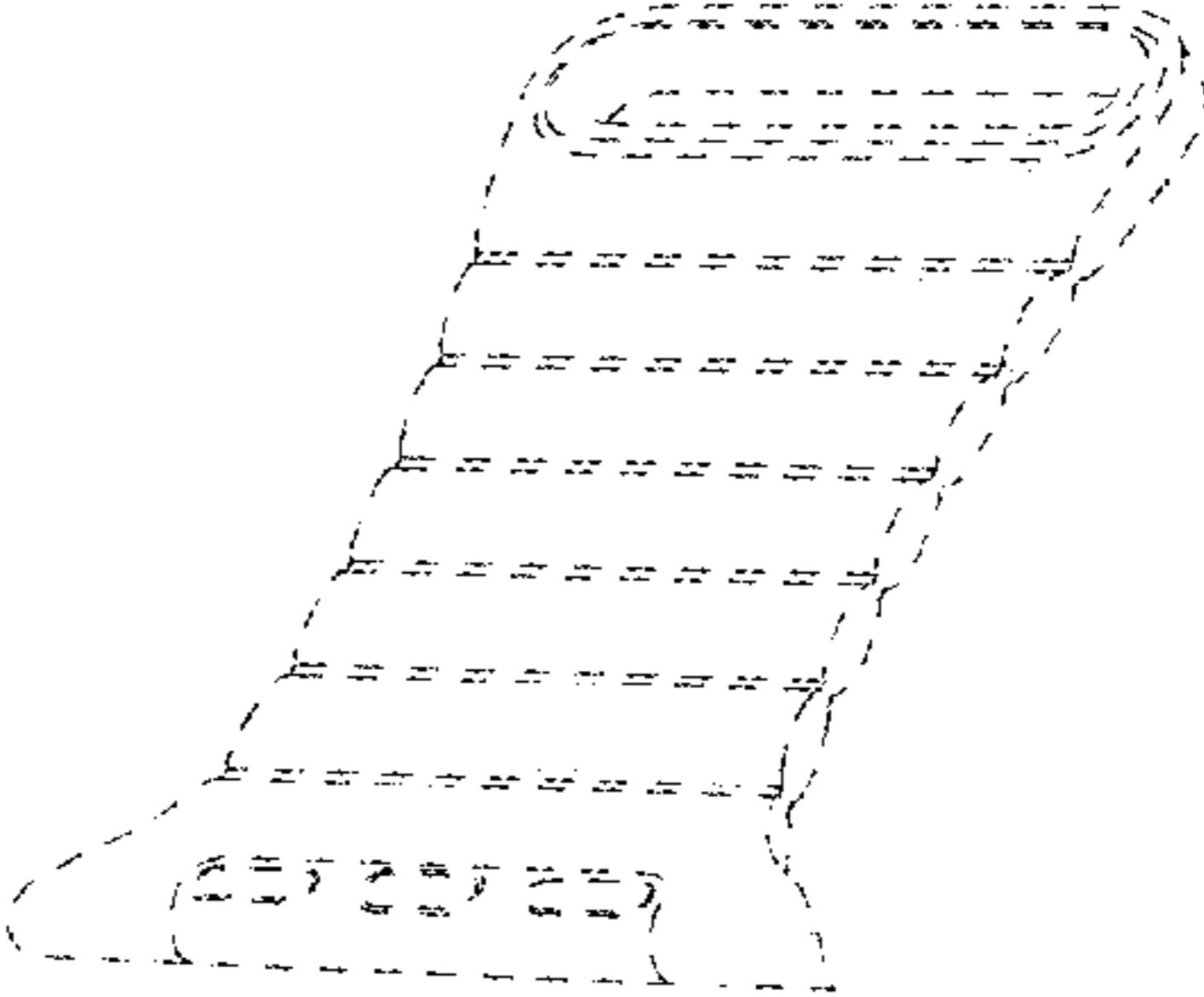


FIG. 2

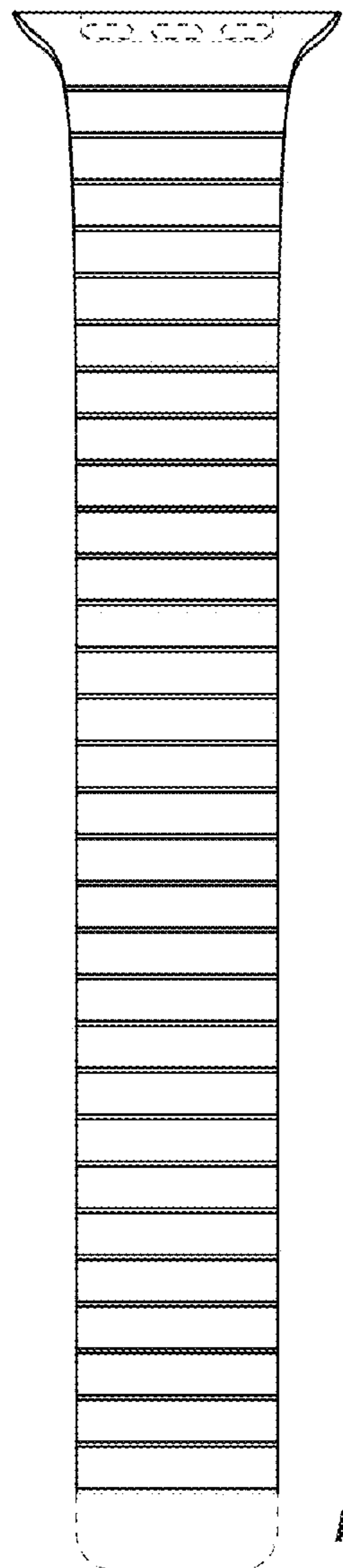
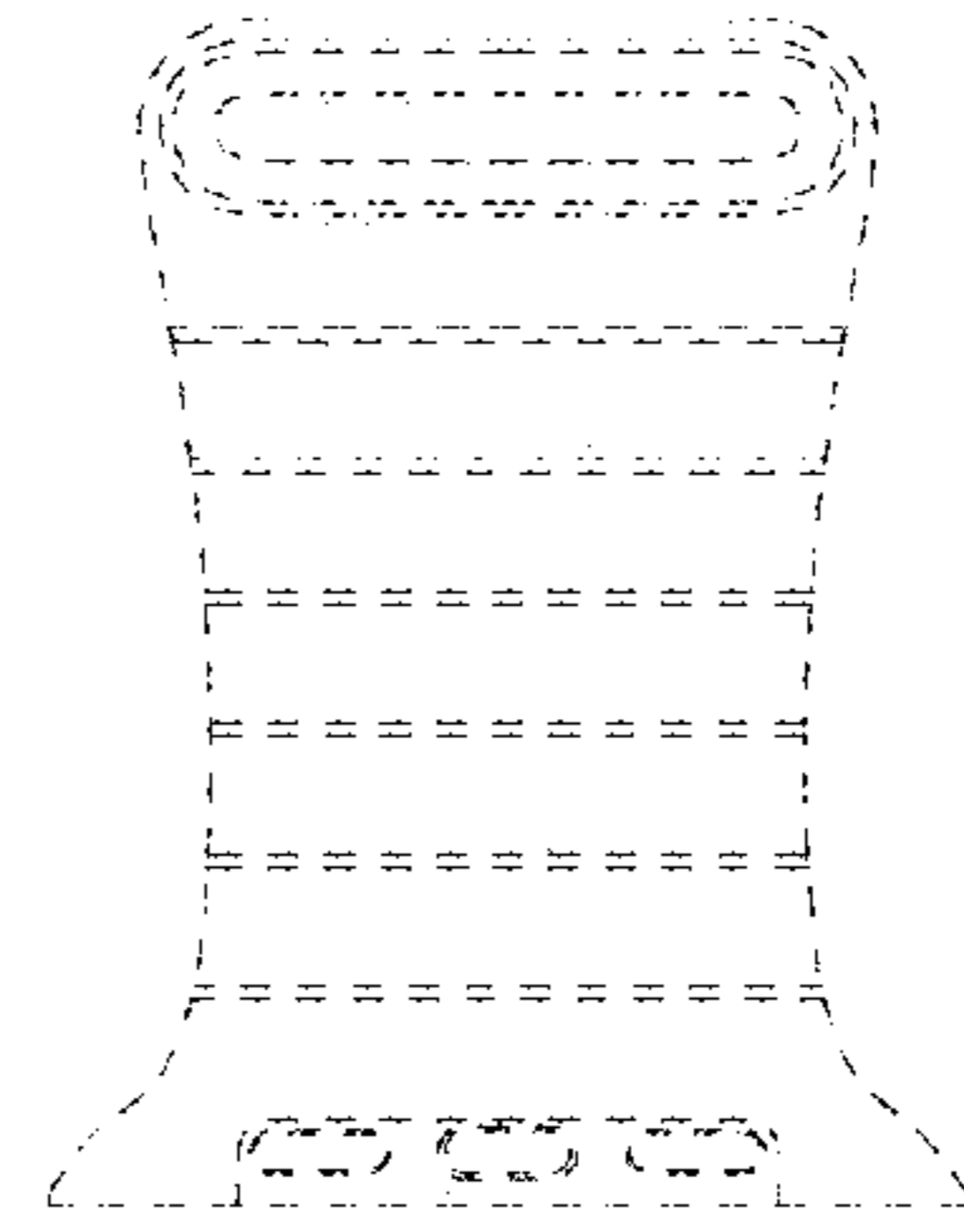
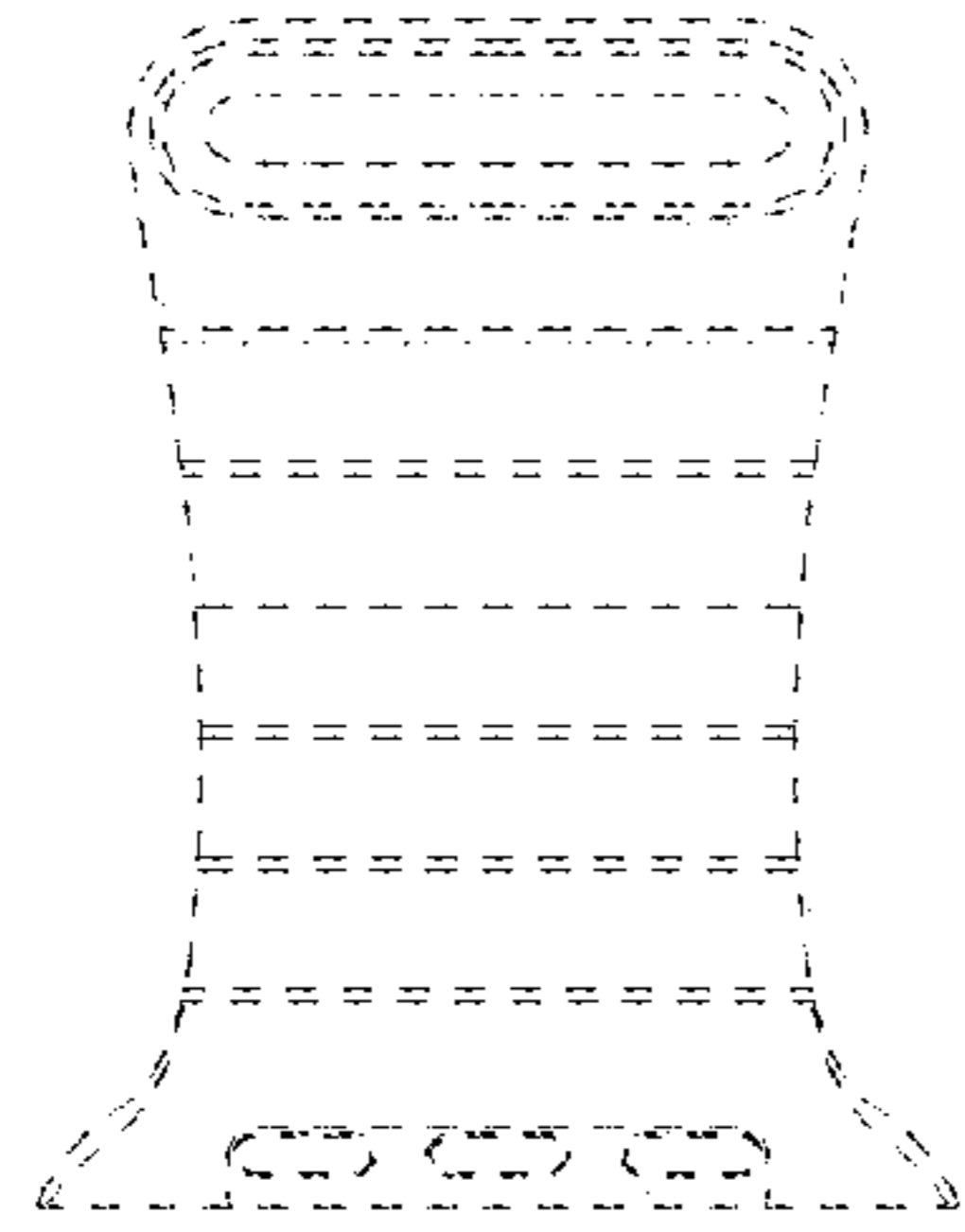


FIG. 3

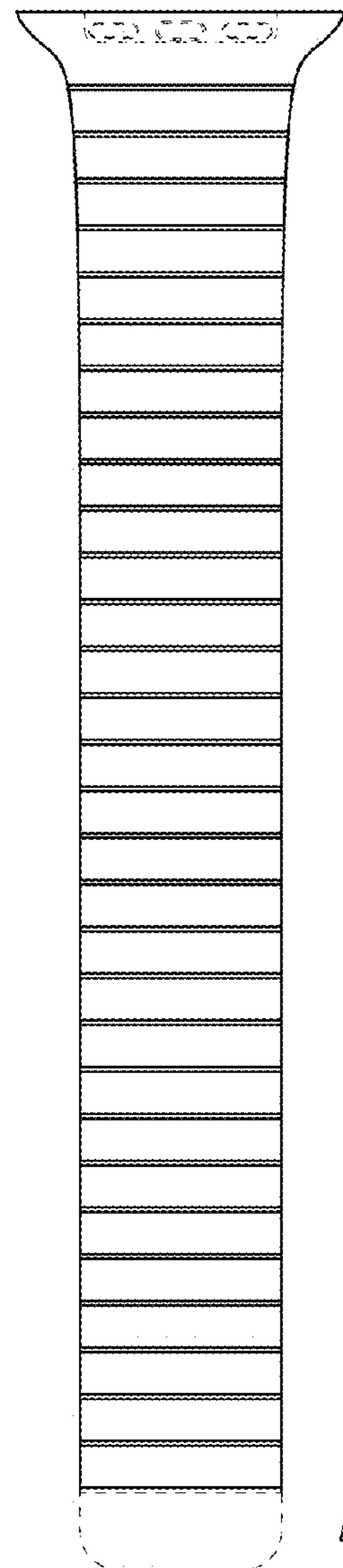


FIG. 4

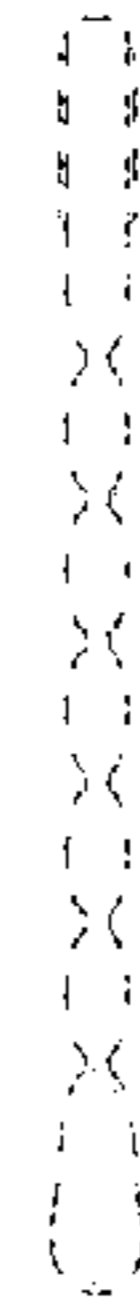
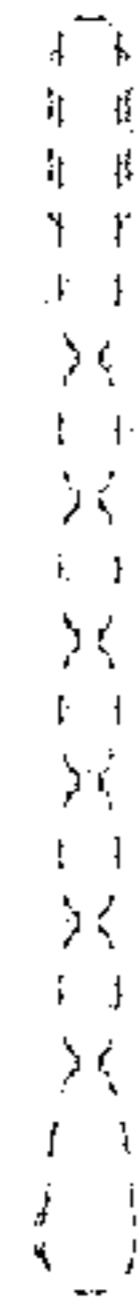


FIG. 5



FIG. 6

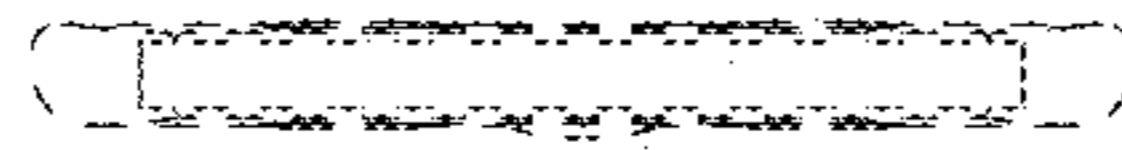


FIG. 7

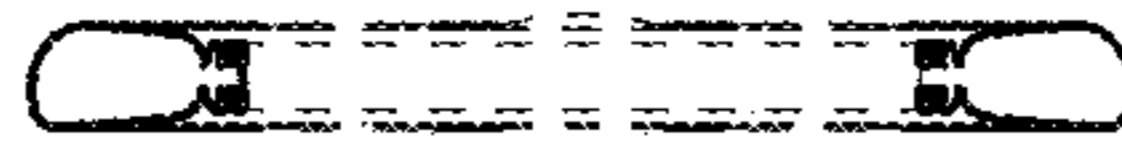


FIG. 8

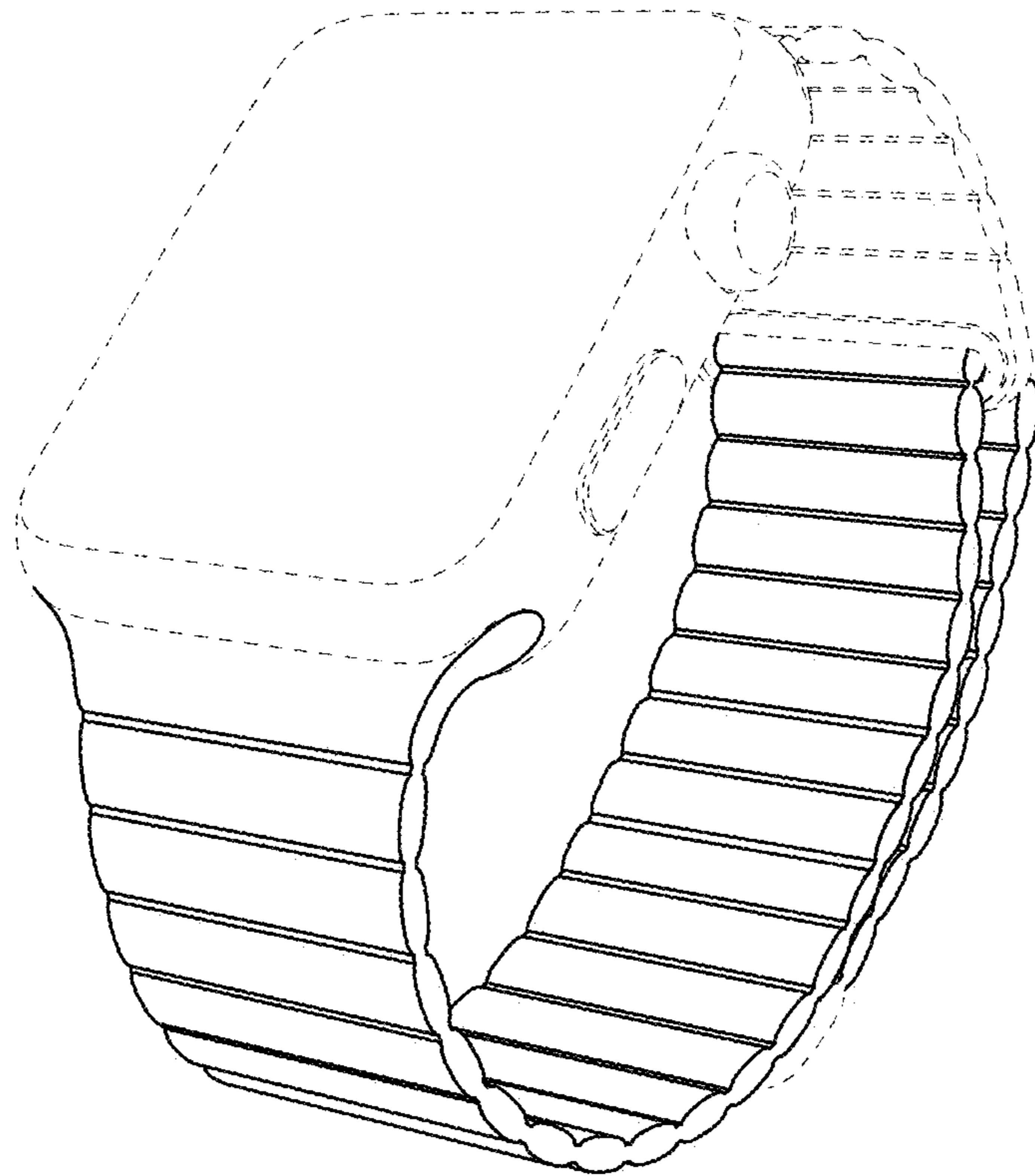


FIG. 9