

US00D760104S

(12) **United States Design Patent**
Jacobs et al.

(10) **Patent No.:** **US D760,104 S**
(45) **Date of Patent:** **** Jun. 28, 2016**

- (54) **LIGHT BAR**
- (71) Applicant: **STAR HEADLIGHT & LANTERN CO., INC.**, Avon, NY (US)
- (72) Inventors: **Christopher D. Jacobs**, Honeoye Falls, NY (US); **J. Douglas Richardson**, Pittsford, NY (US); **Tracy L. Andrew**, Livonia, NY (US); **Stephen T. Vukosic**, Avon, NY (US); **R. Michael Datz**, Greece, NY (US); **Corey Weterrings**, Livonia, NY (US)
- (73) Assignee: **STAR HEADLIGHT & LANTERN CO., INC.**, Avon, NY (US)
- (**) Term: **14 Years**
- (21) Appl. No.: **29/520,802**
- (22) Filed: **Mar. 18, 2015**
- (51) **LOC (10) Cl.** **10-05**
- (52) **U.S. Cl.**
USPC **D10/114.4**
- (58) **Field of Classification Search**
USPC D10/114.3–114.4; D26/72, 85
CPC B60R 1/12
See application file for complete search history.

- D312,978 S 12/1990 Foster
- 5,027,260 A 6/1991 Lyons et al.
- D345,316 S 3/1994 Green et al.
- D375,180 S 10/1996 Lyons
- 5,585,782 A 12/1996 Yosko
- D380,402 S 7/1997 Binder, Sr.
- D402,909 S 12/1998 Stanuch
- D403,445 S 12/1998 Talebi
- D410,402 S 6/1999 Stein et al.
- D432,038 S 10/2000 Sasaki et al.
- D432,444 S 10/2000 Sasaki et al.
- D462,027 S 8/2002 Ubiera
- D469,711 S 2/2003 Neufeglise et al.
- D476,253 S 6/2003 Stein et al.
- 6,722,776 B1 4/2004 Lyons et al.
- D491,482 S 6/2004 Chiang
- D498,861 S 11/2004 Sandoval
- D499,976 S 12/2004 Neufeglise et al.
- D578,683 S 10/2008 Huang
- 7,513,659 B2 4/2009 Vukosic et al.
- D593,428 S 6/2009 Lyons
- D603,740 S 11/2009 Lyons
- D608,674 S * 1/2010 Lyons D10/114.4
- D617,226 S 6/2010 Cai

(Continued)

Primary Examiner — George D Kirschbaum
(74) *Attorney, Agent, or Firm* — Kenneth J. Lukacher Law Group

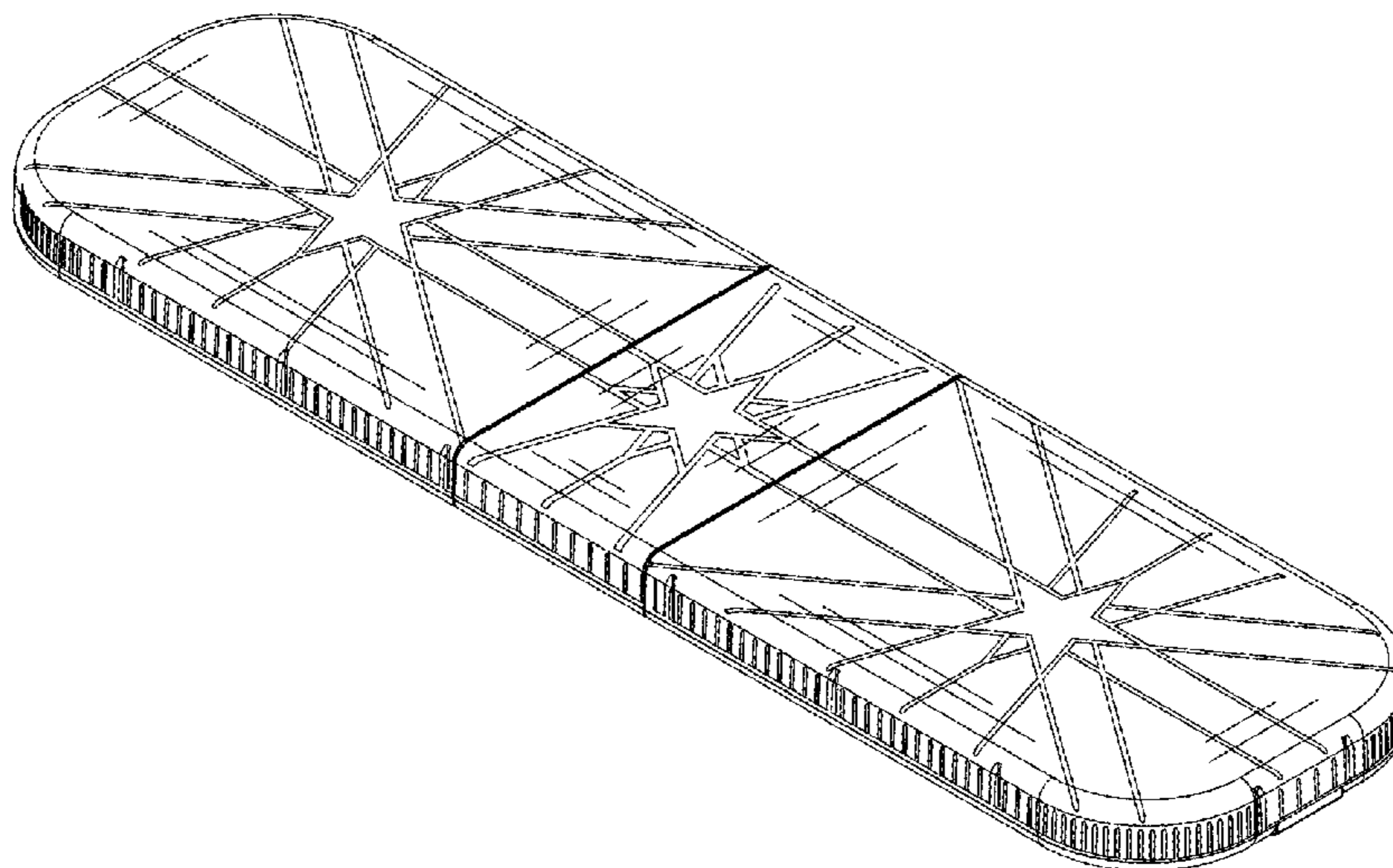
(57) **CLAIM**
The ornamental design for a light bar, as shown and described.

- (56) **References Cited**
U.S. PATENT DOCUMENTS
- 1,233,495 A 7/1917 Muckenhirn
- 1,658,265 A 2/1928 Thompson
- 1,847,134 A 3/1932 Nikonow
- D220,058 S 3/1971 Bernstein
- D262,659 S 1/1982 Latta et al.
- D279,714 S 7/1985 Taylor
- 4,588,118 A 5/1986 Ferenc et al.
- D284,557 S 7/1986 Ferenc
- 4,620,268 A 10/1986 Ferenc
- D291,870 S 9/1987 Urbanski et al.

DESCRIPTION

FIG. 1 is a perspective view from the top of a light bar embodying the invention;
FIG. 2 is a top plan view thereof;
FIG. 3 is an elevational view from the front thereof, the back elevation view thereof being identical thereto;
FIG. 4 is a right end view thereof, the left end view thereof being identical thereto; and,
FIG. 5 is a bottom plan view thereof.

1 Claim, 5 Drawing Sheets



(56)

References Cited

U.S. PATENT DOCUMENTS

D617,227 S	6/2010	Cai	
7,821,380 B1	10/2010	Grote, Jr.	
D627,247 S *	11/2010	Shin	D10/114.4
7,854,531 B1	12/2010	Lyons	
D630,118 S	1/2011	Shin	
D632,199 S	2/2011	Jacobs et al.	
D635,875 S	4/2011	Shin	
7,918,596 B2	4/2011	Frank et al.	
D638,732 S	5/2011	Burke et al.	
D644,135 S	8/2011	Cai	
D652,335 S	1/2012	Deyaf	
D652,753 S	1/2012	Deyaf	
D658,526 S	5/2012	Shin	
D659,041 S	5/2012	Burke et al.	
D663,227 S *	7/2012	Andrew	D10/114.4
D672,263 S	12/2012	Reiter	
D683,252 S *	5/2013	Andrew	D10/114.4
8,550,674 B2	10/2013	Yu	
8,585,263 B2	11/2013	Shipman	
8,742,916 B2	6/2014	Burke et al.	
D709,221 S	7/2014	Tsai et al.	
D710,726 S	8/2014	Neufeglise	
8,944,654 B1	2/2015	Lyons	
2009/0213602 A1	8/2009	Gallegos	
2014/0112004 A1	4/2014	Hwang et al.	

* cited by examiner

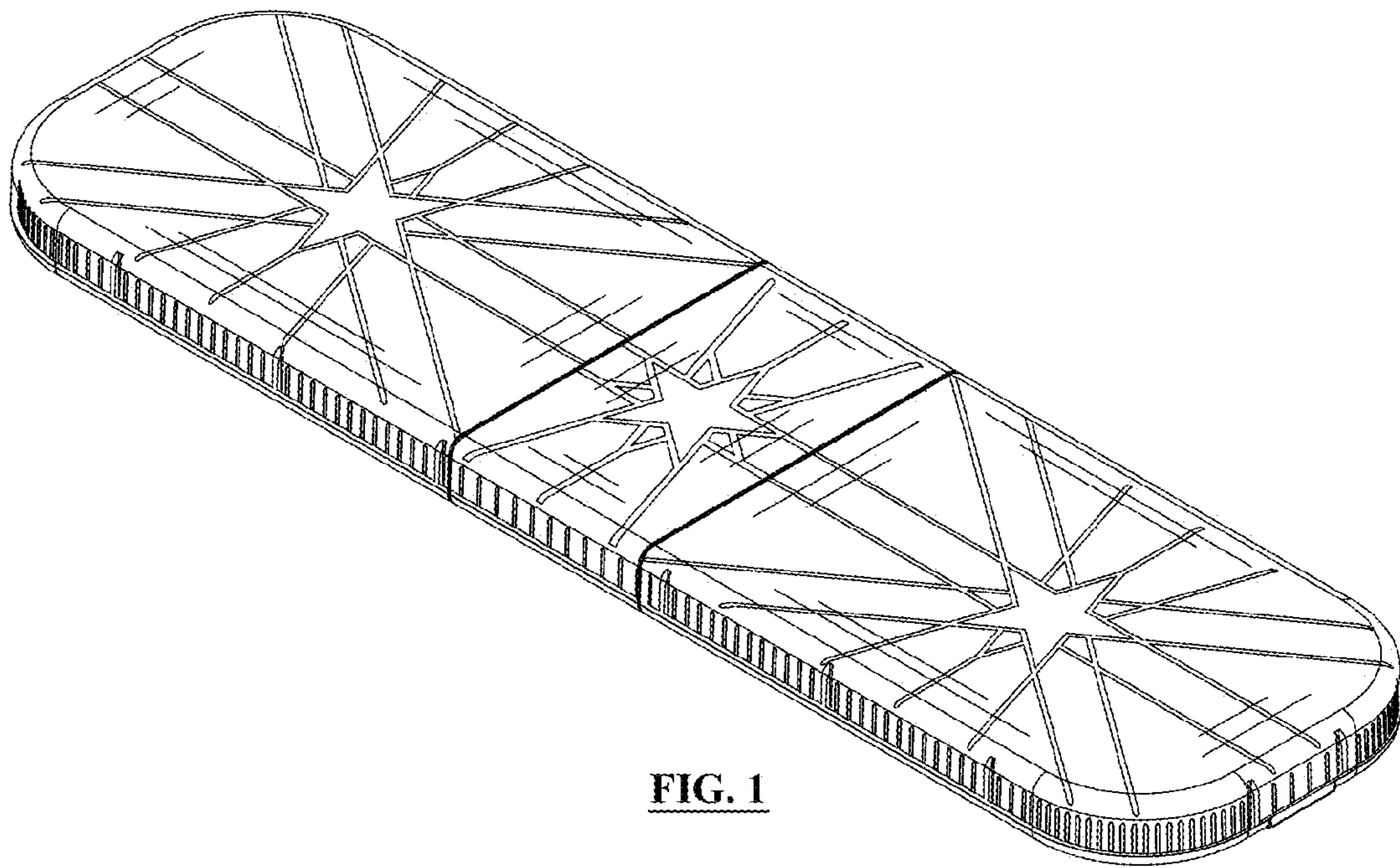


FIG. 1

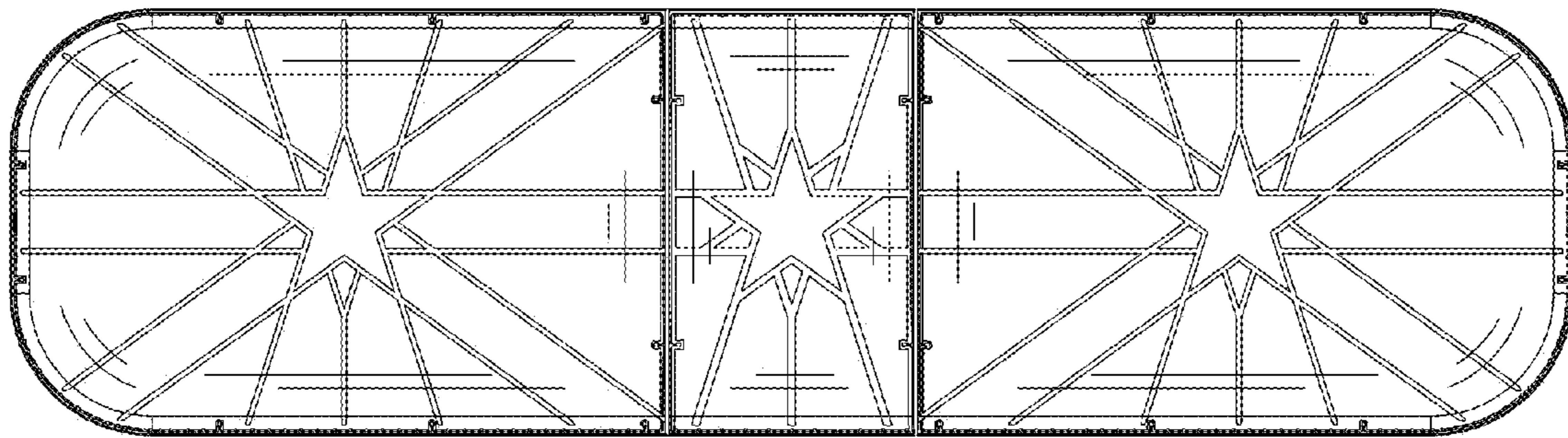


FIG. 2

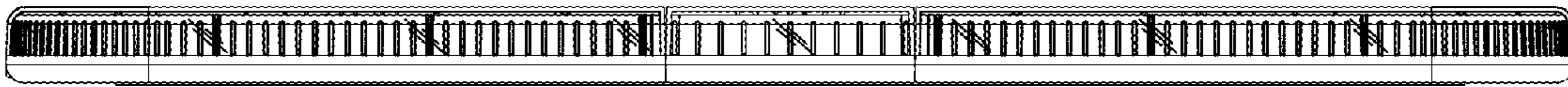


FIG. 3



FIG. 4

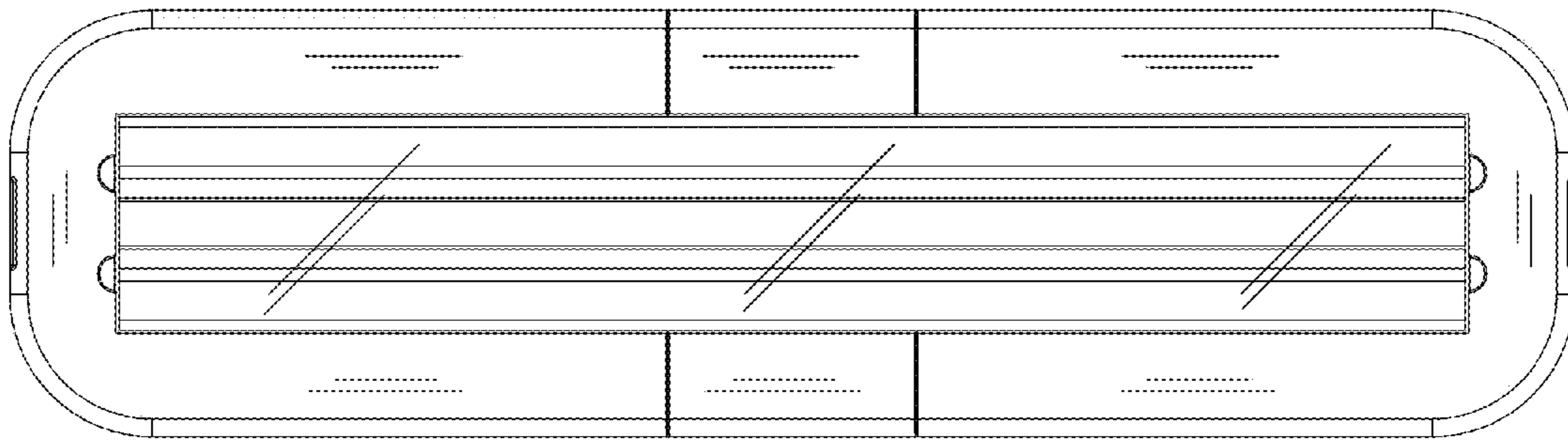


FIG. 5