



US00D760095S

(12) **United States Design Patent**  
**Jeannet et al.**

(10) **Patent No.:** **US D760,095 S**  
(45) **Date of Patent:** **\*\* Jun. 28, 2016**

(54) **WATCH CASE**

(71) Applicant: **Ralph Lauren Watch and Jewelry Company Sàrl**, Plan-les-Ouates (CH)

(72) Inventors: **Elodie Jeannet**, Neuchâtel (CH); **John Zagami**, Montclair, NJ (US)

(73) Assignee: **Ralph Lauren Watch and Jewelry Company Sàrl**, Plan-les-Ouates (CH)

(\*\*) Term: **14 Years**

(21) Appl. No.: **29/518,309**

(22) Filed: **Feb. 23, 2015**

(30) **Foreign Application Priority Data**

Aug. 26, 2014 (WO) ..... 835413301

(51) **LOC (10) Cl.** ..... **10-02**

(52) **U.S. Cl.**  
USPC ..... **D10/30; D10/38**

(58) **Field of Classification Search**  
USPC ..... D10/30-39, 1-29, 122-132  
CPC ..... G04B 37/00; G04B 37/0008; G04B 37/0058; G04B 37/12; G04B 37/14; G04B 37/1486; G04B 45/00; G04B 45/0069; G04B 45/0076; G04B 47/00; G04B 47/04; G04B 47/042

See application file for complete search history.

(56) **References Cited**

**U.S. PATENT DOCUMENTS**

D152,354 S \* 1/1949 Pennino ..... D10/32  
D363,231 S \* 10/1995 Eddy ..... D10/32

D363,236 S \* 10/1995 Burgener ..... D10/30  
D364,819 S \* 12/1995 Wunderman ..... D10/32  
D382,494 S \* 8/1997 Wunderman ..... D10/30  
D396,652 S \* 8/1998 Voegeli ..... D10/30  
D412,446 S \* 8/1999 Tse ..... D10/32  
D430,041 S \* 8/2000 Pequignet ..... D10/32  
D472,160 S \* 3/2003 Modolo ..... D10/32  
D491,475 S \* 6/2004 Modolo ..... D10/32  
D497,110 S \* 10/2004 Modolo ..... D10/32  
D567,675 S \* 4/2008 Giannini ..... D10/31  
D573,040 S \* 7/2008 Giannini ..... D10/32  
D575,167 S \* 8/2008 Giannini ..... D10/32  
D577,609 S \* 9/2008 Modolo ..... D10/32  
D586,237 S \* 2/2009 Giannini ..... D10/32  
D627,241 S \* 11/2010 Thevenaz ..... D10/38

\* cited by examiner

*Primary Examiner* — Martie K Holtje

(74) *Attorney, Agent, or Firm* — Taft Stettinius & Hollister LLP

(57) **CLAIM**

The ornamental design for a watch case, as shown and described.

**DESCRIPTION**

FIG. 1 is a front elevational view of a watch case showing our new design;

FIG. 2 is a rear elevational view thereof;

FIG. 3 is a right side elevational view thereof;

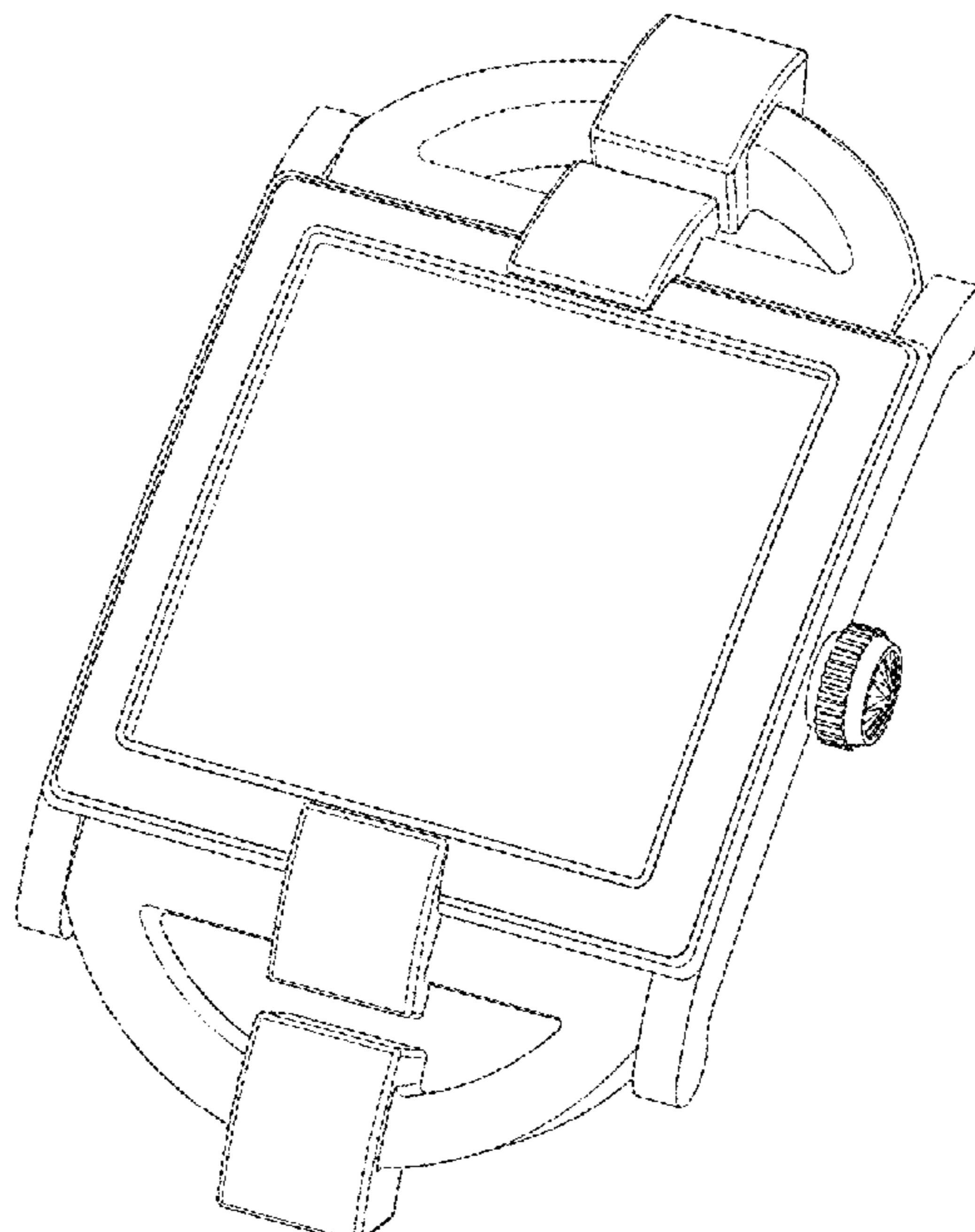
FIG. 4 is a left side elevational view thereof;

FIG. 5 is a bottom plan view thereof;

FIG. 6 is a top plan view thereof; and,

FIG. 7 is a right front perspective view thereof.

**1 Claim, 2 Drawing Sheets**



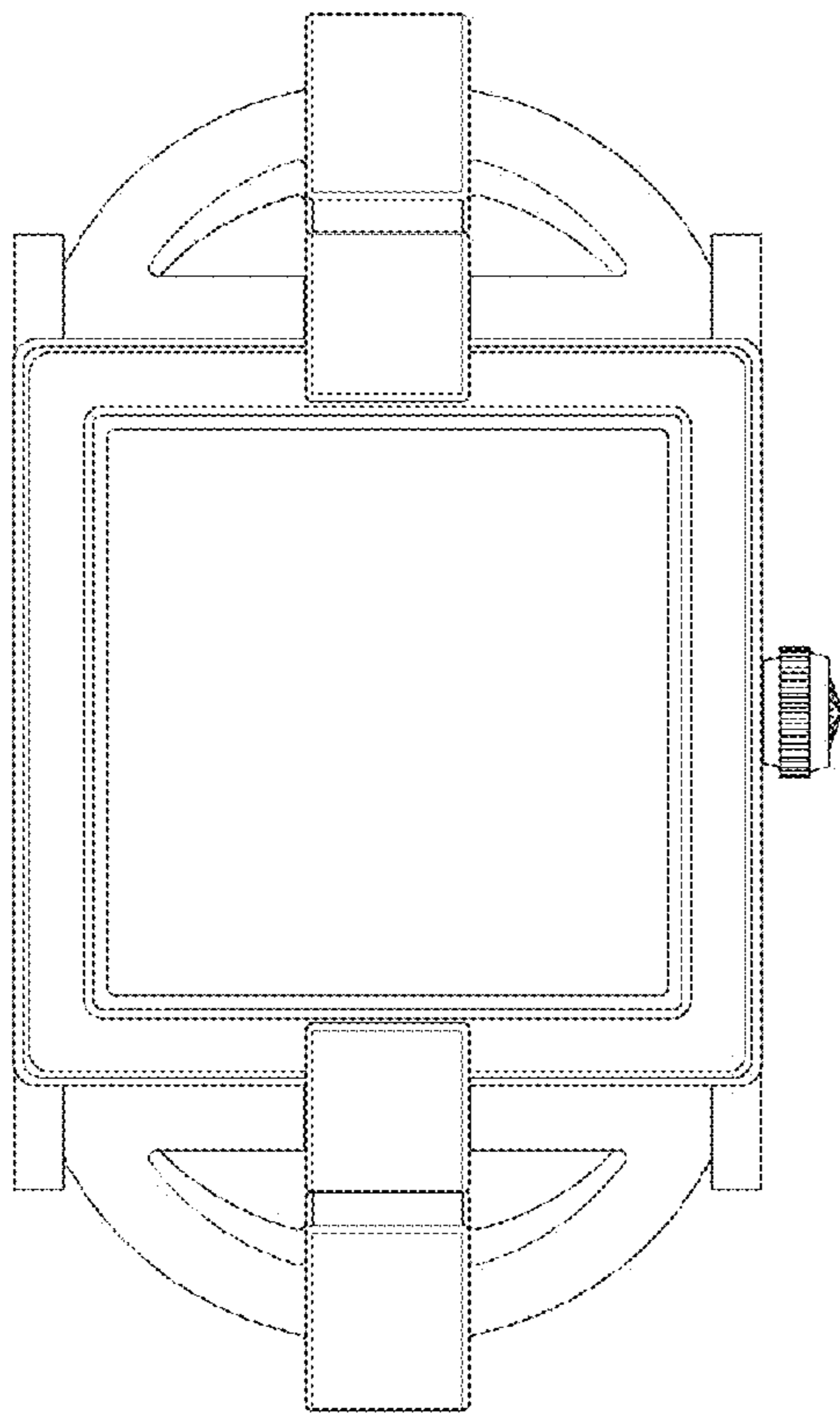


Fig. 1

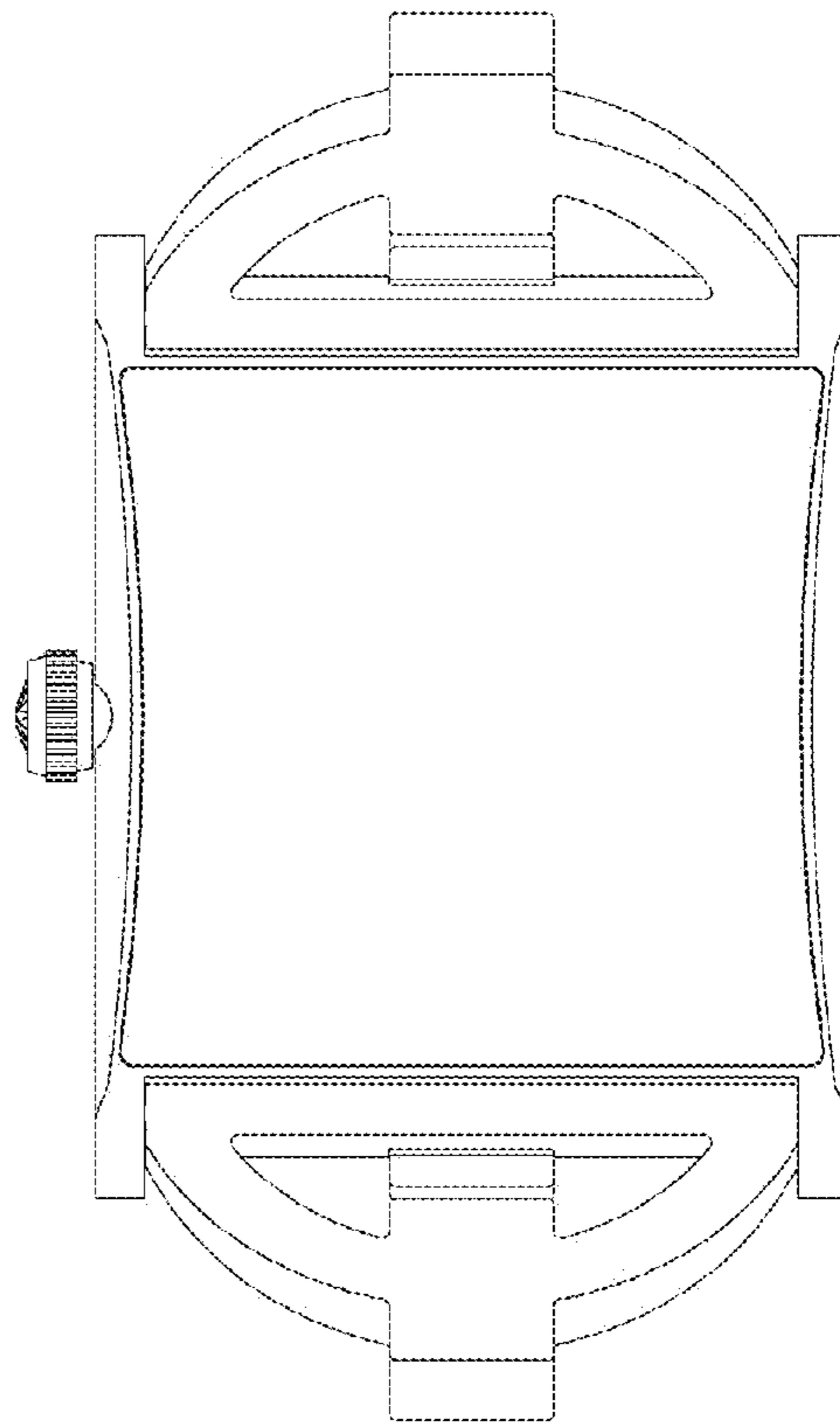


Fig. 2

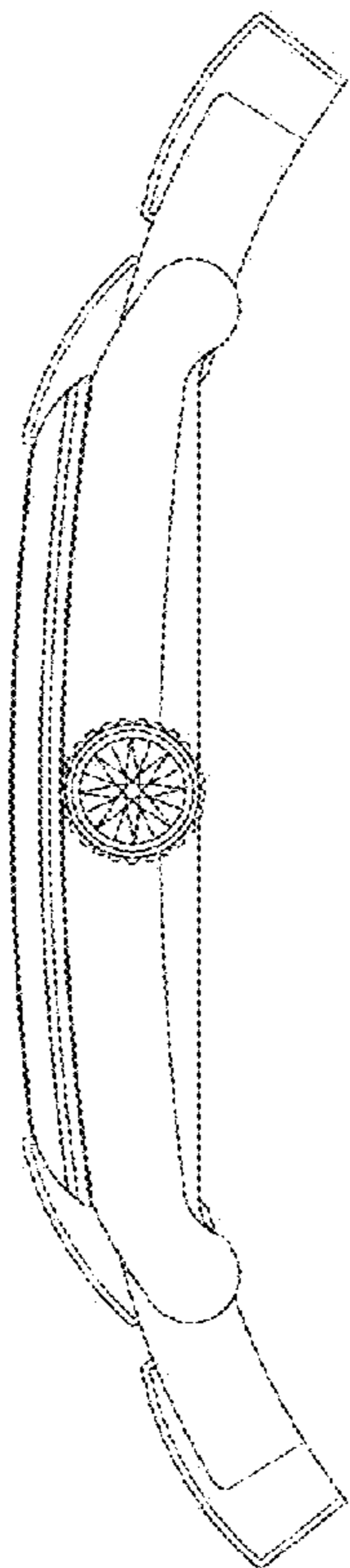


Fig. 3

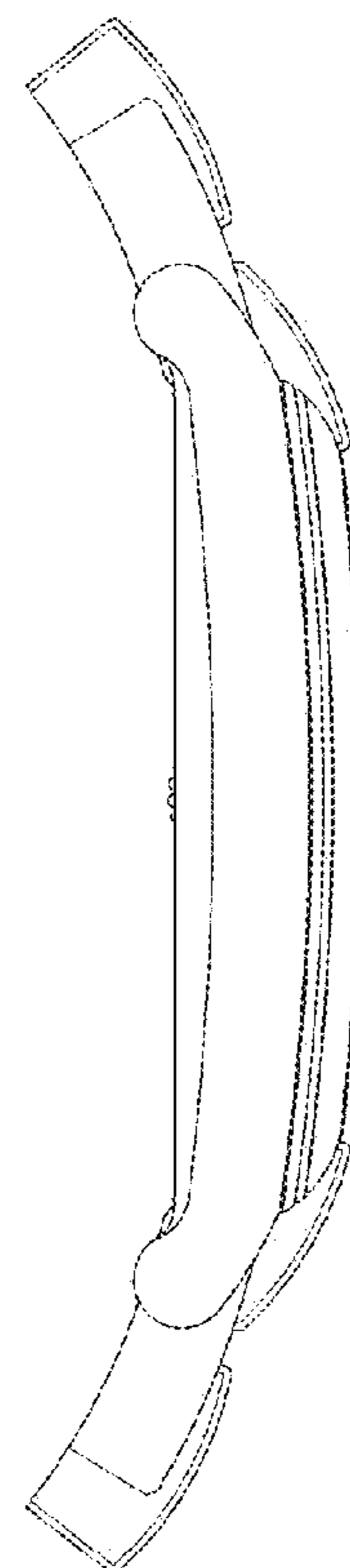


Fig. 4

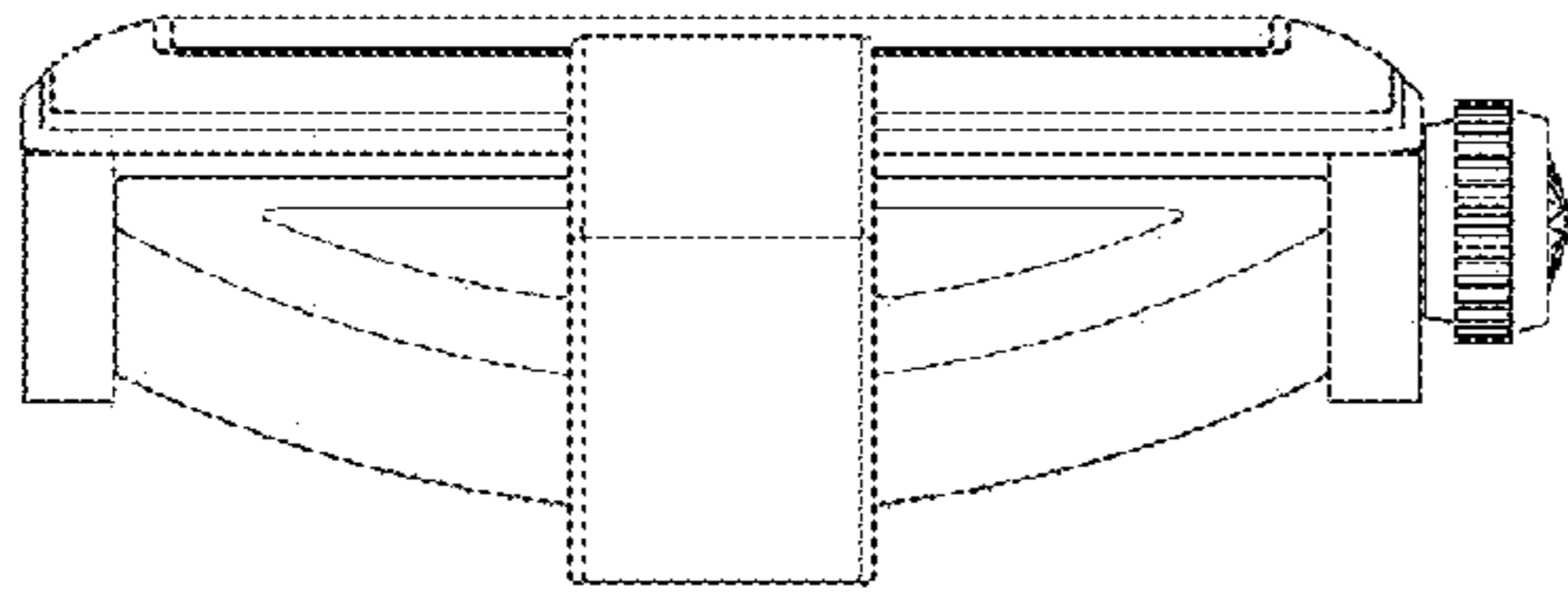


Fig. 5

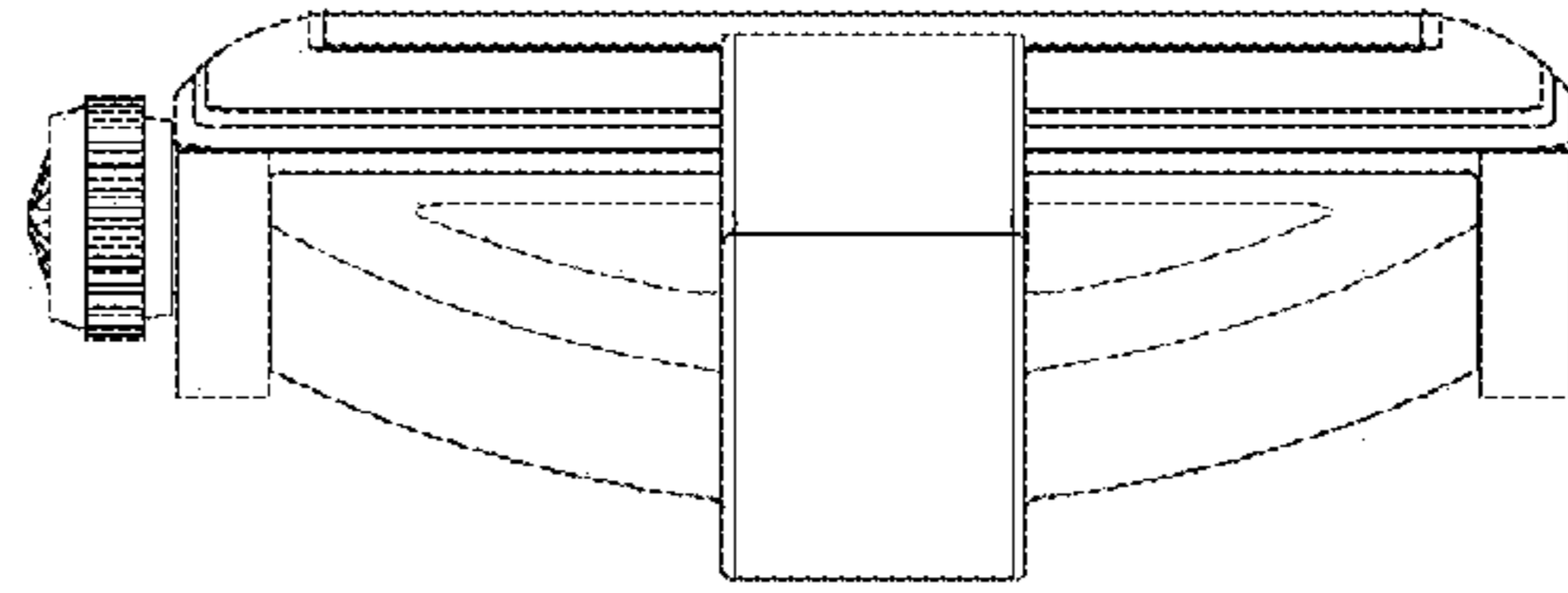


Fig. 6

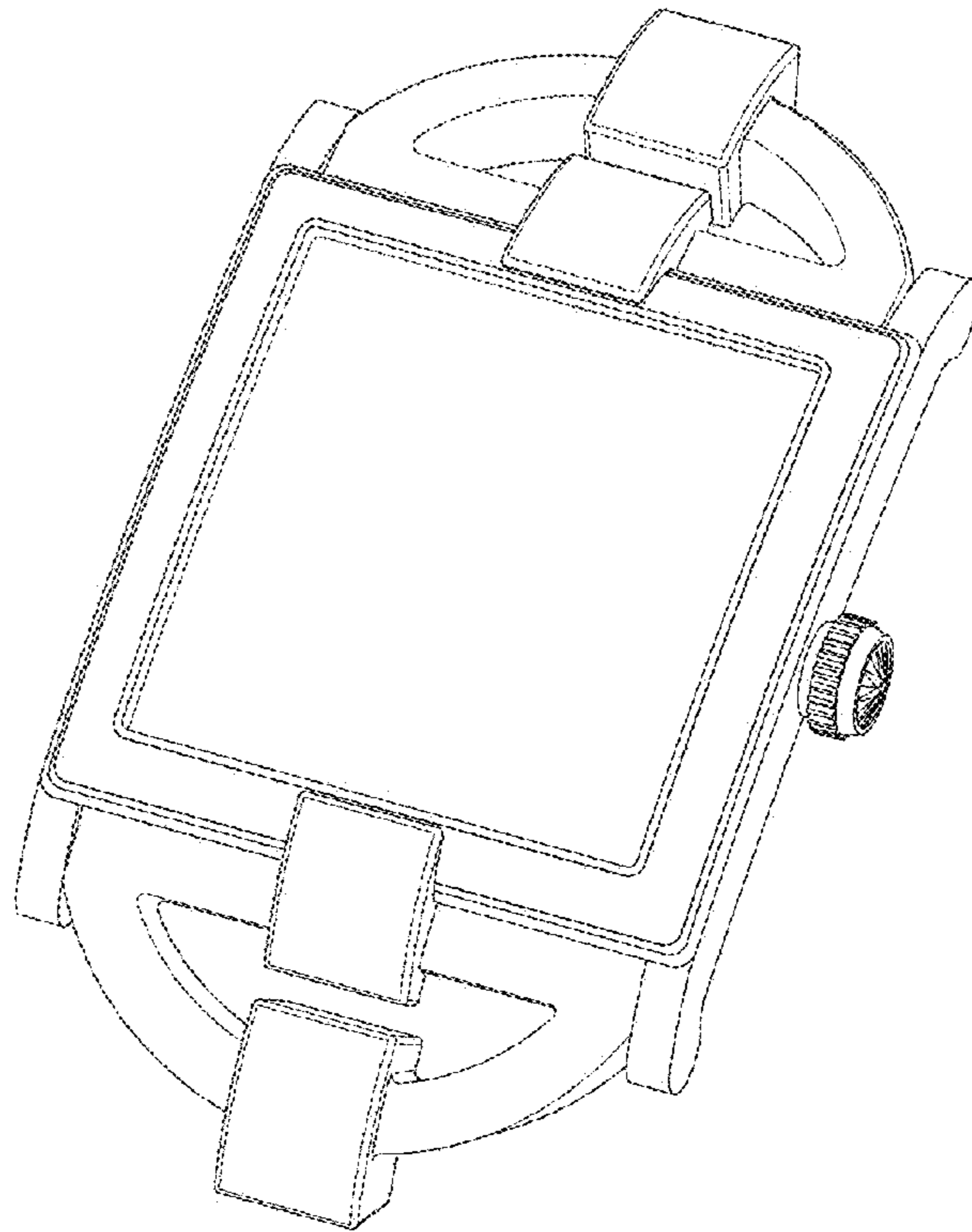


Fig. 7