

US00D760093S

(12) **United States Design Patent**
Funk et al.

(10) **Patent No.:** **US D760,093 S**
(45) **Date of Patent:** **** Jun. 28, 2016**

- (54) **MATRIX CLOCK**
- (71) Applicant: **Biegert & Funk Product GmbH & Co. KG**, Schwäbisch Gmünd (DE)
- (72) Inventors: **Andreas Funk**, Schwäbisch Gmünd (DE); **Marco Biegert**, Gmünd (DE)
- (73) Assignee: **BIEGERT & FUNK PRODUCT GMBH & CO. KG**, Schwäbisch Gmünd (DE)
- (**) Term: **15 Years**
- (21) Appl. No.: **29/547,554**
- (22) Filed: **Dec. 4, 2015**

Related U.S. Application Data

- (62) Division of application No. 29/336,765, filed on May 8, 2009, now Pat. No. Des. 744,862.
- (51) **LOC (10) Cl.** **10-01**
- (52) **U.S. Cl.**
USPC **D10/1; D10/24**
- (58) **Field of Classification Search**
USPC **D10/1-29, 30-39, 122-132; D20/19, D20/20**
CPC **G04B 19/00; G04B 19/207; G04B 19/23; G04B 19/30; G02F 1/1335; G04F 9/302; G09F 23/00; G09F 23/16; G04G 3/004; G04G 9/00; G04G 9/0064; G04G 9/02; G04G 9/042; G04G 9/06; G04G 9/082; G04G 9/102**
See application file for complete search history.

References Cited

U.S. PATENT DOCUMENTS

- 3,841,082 A * 10/1974 Cuevas G04B 19/00 368/234
- D237,783 S * 11/1975 Loubier D10/16
- 3,925,977 A * 12/1975 Maezawa G09F 9/302 345/33
- D241,628 S * 9/1976 Bailey D10/15

- D241,725 S * 10/1976 Bailey D10/15
- 4,041,692 A * 8/1977 Marshino G04G 9/042 368/240
- D253,042 S * 10/1979 Fee D10/15
- 4,233,681 A * 11/1980 Murata G04G 9/082 368/239
- D263,808 S * 4/1982 Tanaka D10/124
- D271,950 S * 12/1983 Moore D10/130
- 4,472,066 A * 9/1984 Murakami G09G 3/004 345/56
- 6,216,490 B1 * 4/2001 Radley-Smith A44C 5/0015 345/56
- 6,219,307 B1 * 4/2001 Chitturi G04B 19/207 368/21
- D447,435 S * 9/2001 Thomas D10/124
- D447,975 S * 9/2001 Padilla D10/125
- 6,882,597 B2 * 4/2005 Kent G04G 9/02 368/223
- 6,958,955 B2 * 10/2005 Yuzuki G04G 9/0064 368/223
- D581,290 S * 11/2008 Corchado D10/32
- D603,741 S * 11/2009 Waldman D10/125
- D681,483 S * 5/2013 Biegert D10/38
- D744,862 S * 12/2015 Funk D10/1
- 2011/0157186 A1 * 6/2011 Funk G04G 9/102 345/467

* cited by examiner

Primary Examiner — Martie K Holtje

(74) *Attorney, Agent, or Firm* — Vidas Arrett & Steinkraus

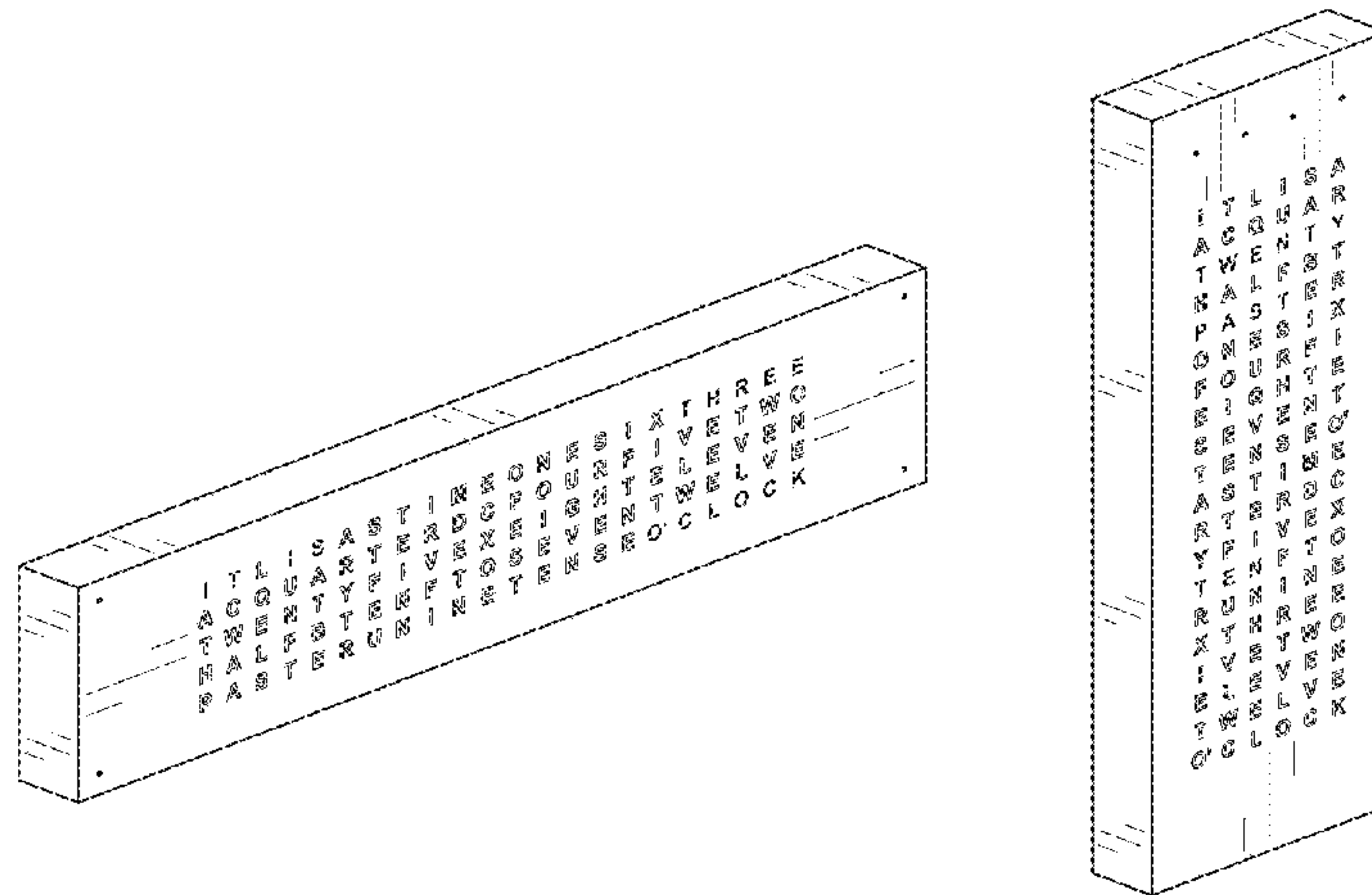
(57) **CLAIM**

The ornamental design for a matrix clock, as shown and described.

DESCRIPTION

FIG. 1 is a top, left front perspective view of a first embodiment of a matrix clock showing our new design;
 FIG. 2 is a front elevational view thereof;
 FIG. 3 is a top, left front perspective view of a second embodiment of our design of FIG. 1;
 FIG. 4 is a front elevational view of FIG. 3;
 FIG. 5 is a top, left front perspective view of a third embodiment of our design of FIG. 1;
 FIG. 6 is a front elevational view of FIG. 5;
 FIG. 7 is a top, left front perspective view of a fourth embodiment of our design of FIG. 1; and,
 FIG. 8 is a front elevational view of FIG. 7.

1 Claim, 8 Drawing Sheets



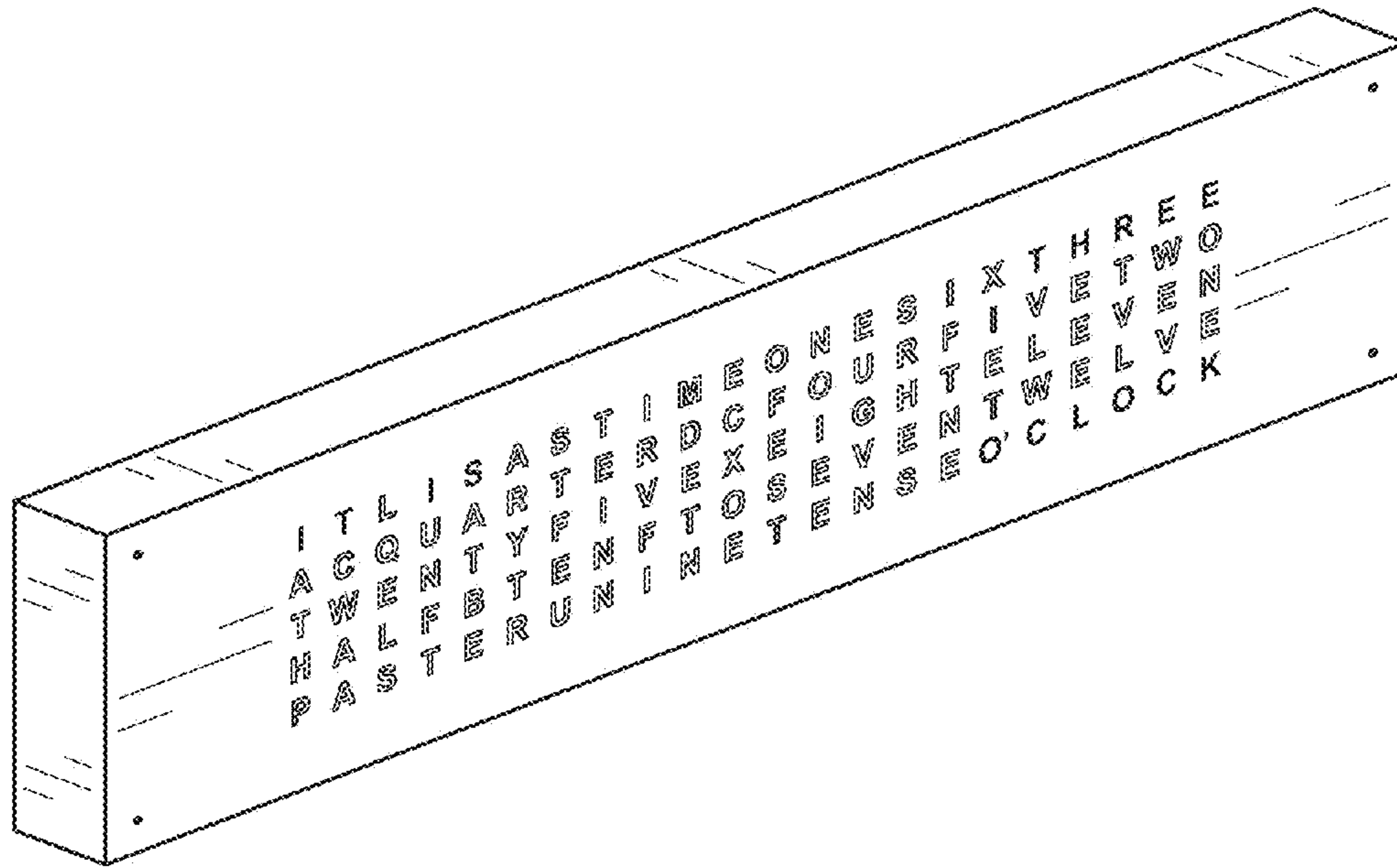


FIG. 1

ITLISASTIMEONESIXTHREE
ACQUARTERDCFOURFIVETWO
TWENTYFIVEXEIGHTELEVEN
HALFBTENFTOSEVENTWELVE
PASTERUNINETENSEOCLOCK

FIG. 2

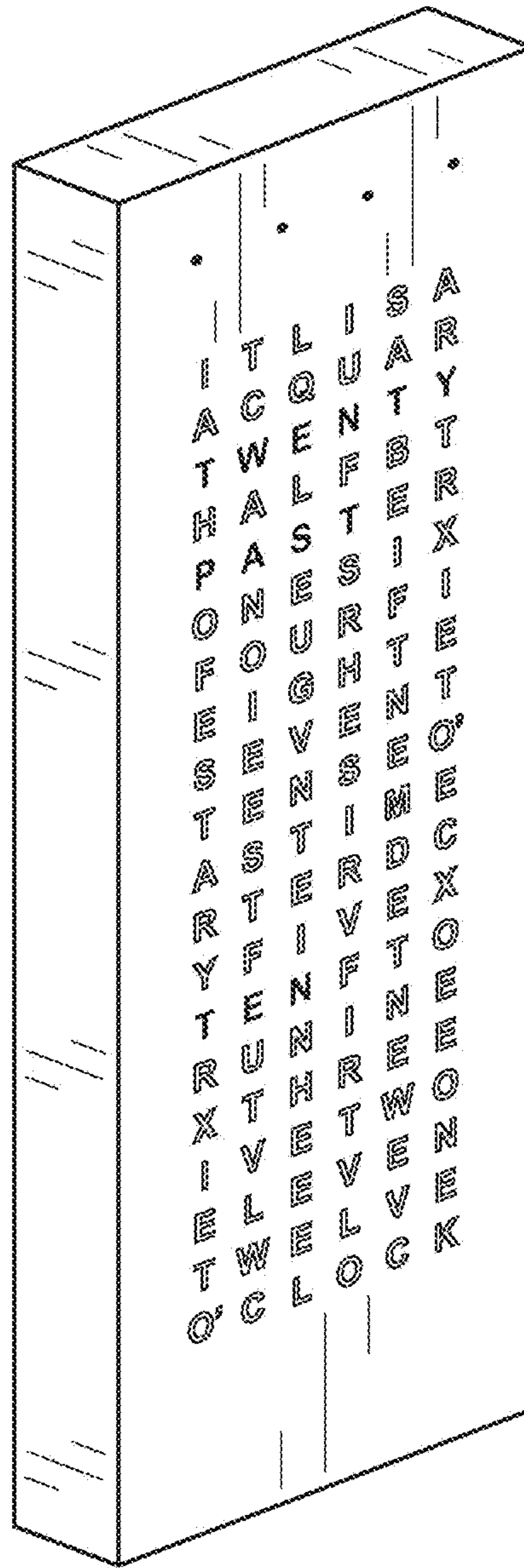


FIG. 3

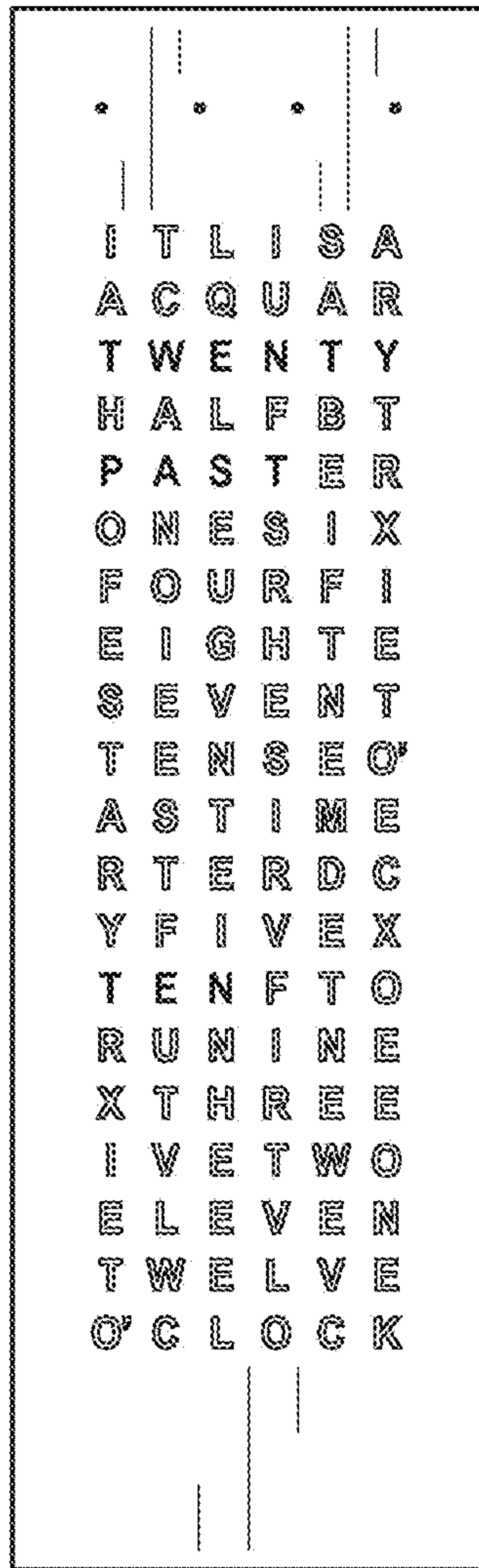


FIG. 4

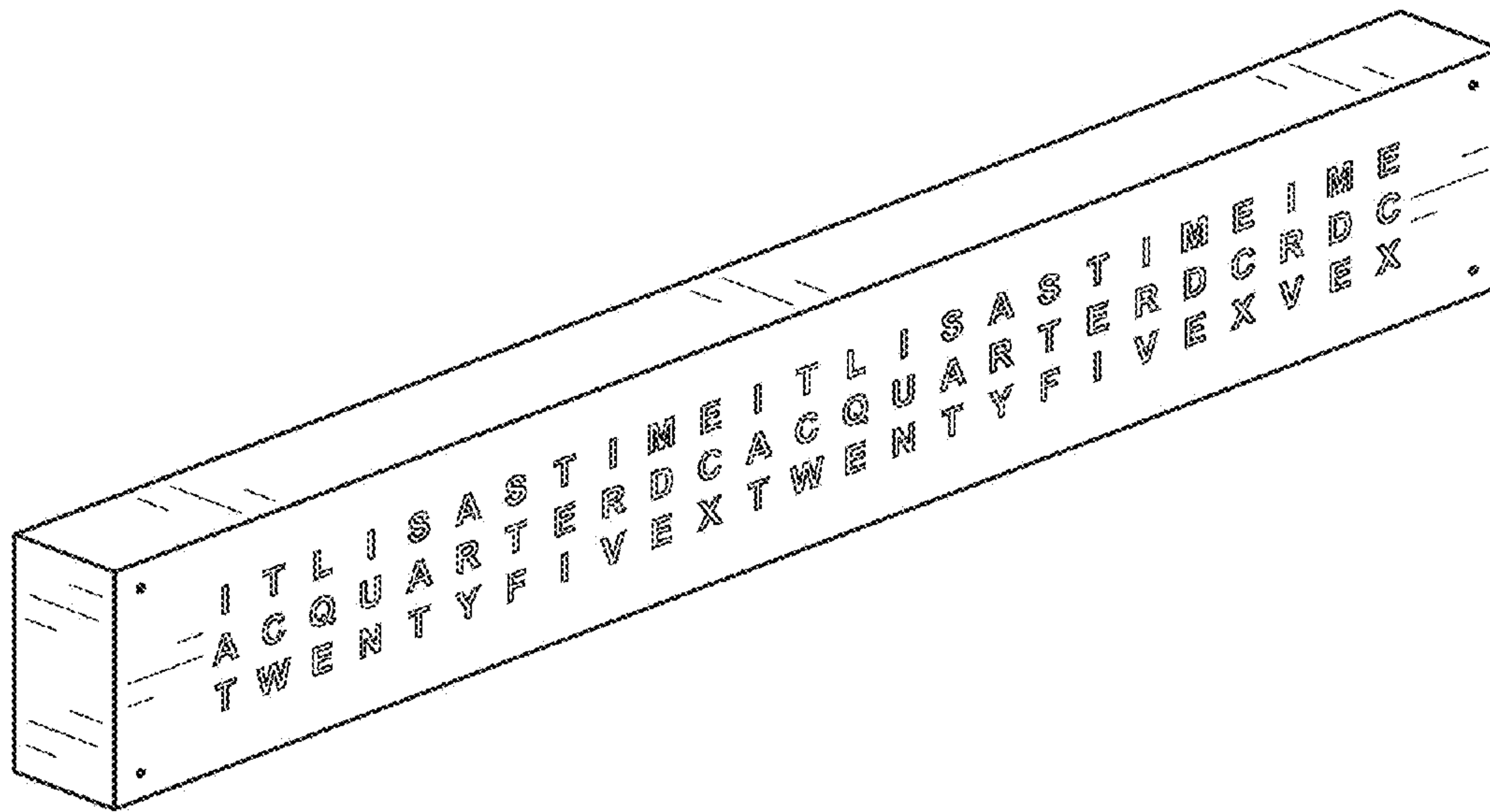


FIG. 5

ITLISASTIMEITLISASTIME
ACQUARTERDCACQUARTERDCRDC
TWENTYFIVEXTWENTYFIVEXVEX

FIG. 6

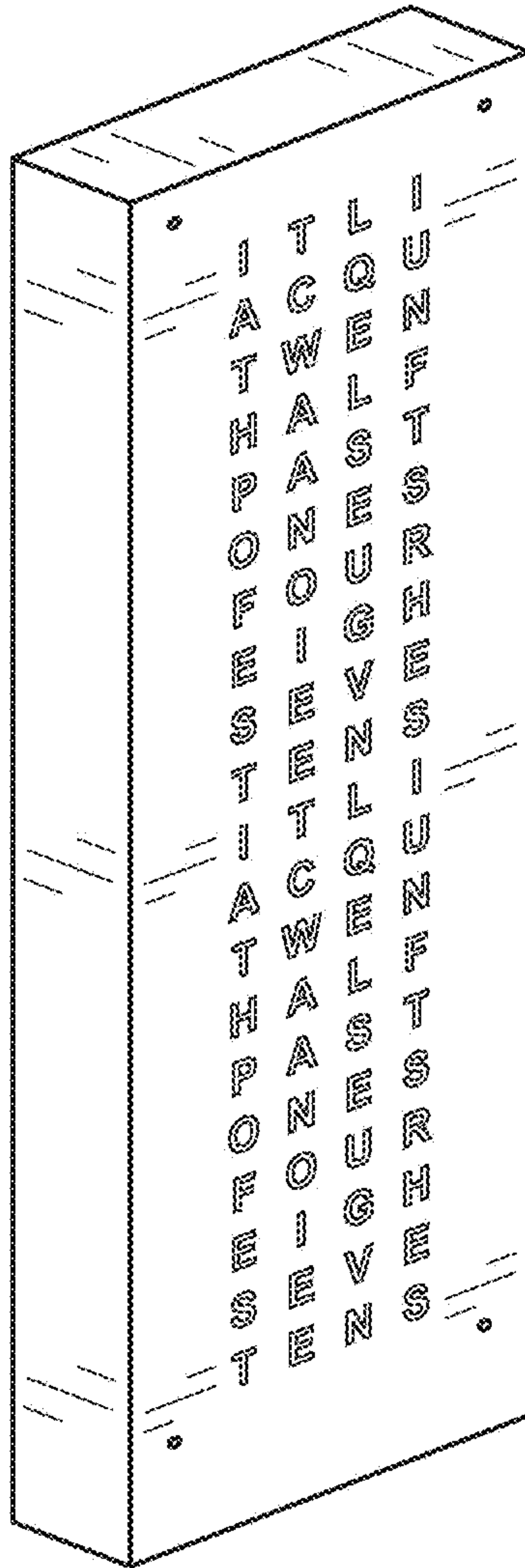


FIG. 7

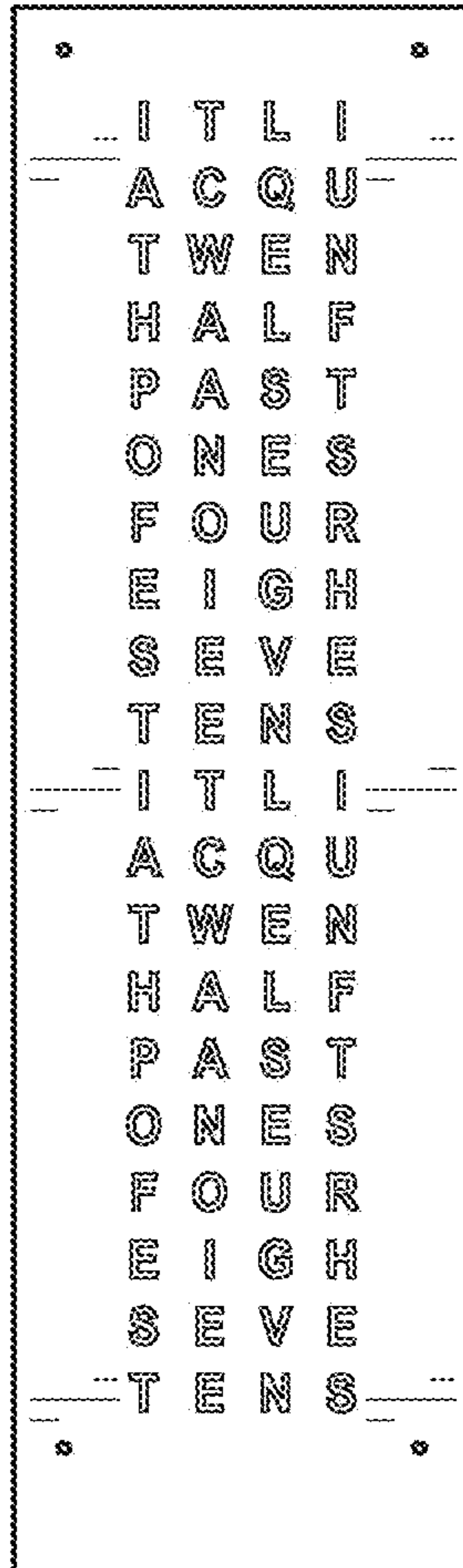


FIG. 8