



US00D760092S

(12) **United States Design Patent**  
**Goldman et al.**

(10) **Patent No.:** **US D760,092 S**  
(45) **Date of Patent:** **\*\* Jun. 28, 2016**

(54) **COLLAPSIBLE TOY CONFIGURED AS A BEVERAGE CAN**

(71) Applicants: **Michael Goldman**, Voorhees, NJ (US);  
**Jack Lovewell**, Kunkletown, PA (US)

(72) Inventors: **Michael Goldman**, Voorhees, NJ (US);  
**Jack Lovewell**, Kunkletown, PA (US)

(73) Assignee: **Tucker International, LLC**, Voorhees, NJ (US)

(\*\*) Term: **14 Years**

(21) Appl. No.: **29/489,592**

(22) Filed: **Apr. 30, 2014**

(51) **LOC (10) Cl.** ..... **09-01**

(52) **U.S. Cl.**  
USPC ..... **D9/772; D21/483**

(58) **Field of Classification Search**

USPC ..... D21/483; D9/434, 435, 500, 502, 516,  
D9/530, 537, 539, 542, 549, 763-783;  
215/381-385; 220/660, 662, 669  
CPC ..... B65D 1/00; B65D 1/02; B65D 1/12;  
B65D 1/14; B65D 1/40; B65D 1/44; B65D  
1/023; B65D 1/0223; B65D 1/165; B65D  
1/238; B65D 1/246; B65D 1/253; B65D 7/04;  
B65D 21/0209; B65D 21/0233; B65D 25/00;  
B65D 25/28; B65D 41/0457; B65D 41/17;  
B65D 53/06; B65D 75/56; B65D 79/005;  
B65D 2501/0036; B65D 2543/00064; B65D  
2543/00074; B65D 2543/00083; B65D  
2543/00092; B65D 2543/00101; B65D  
2543/00111

See application file for complete search history.

(56) **References Cited**

U.S. PATENT DOCUMENTS

D234,525 S \* 3/1975 Maloney, II ..... D21/398  
4,790,714 A \* 12/1988 Schnapp ..... A63H 33/16  
428/12  
D361,603 S \* 8/1995 Bidwell ..... D21/468  
D434,457 S \* 11/2000 Goldman ..... D21/440  
D441,407 S \* 5/2001 Goldman ..... D21/398  
6,863,588 B1 \* 3/2005 Chu ..... A63B 43/00  
446/46  
D611,203 S \* 3/2010 Jager ..... D30/160  
D671,843 S \* 12/2012 Plosky ..... D9/773  
D713,267 S \* 9/2014 Stephens ..... D9/772

\* cited by examiner

*Primary Examiner* — Keli L Hill

(74) *Attorney, Agent, or Firm* — LaMorte & Associates, P.C.

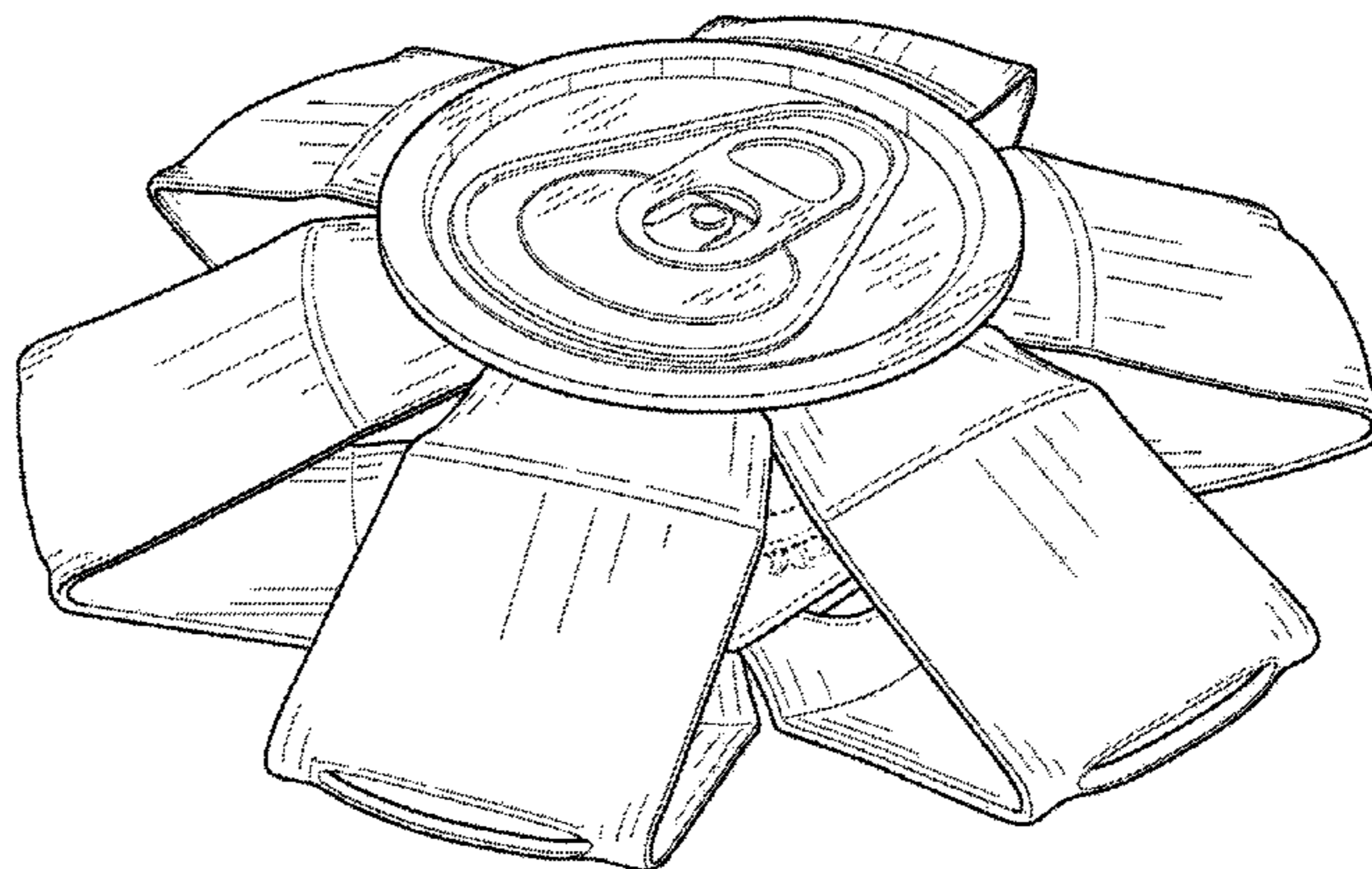
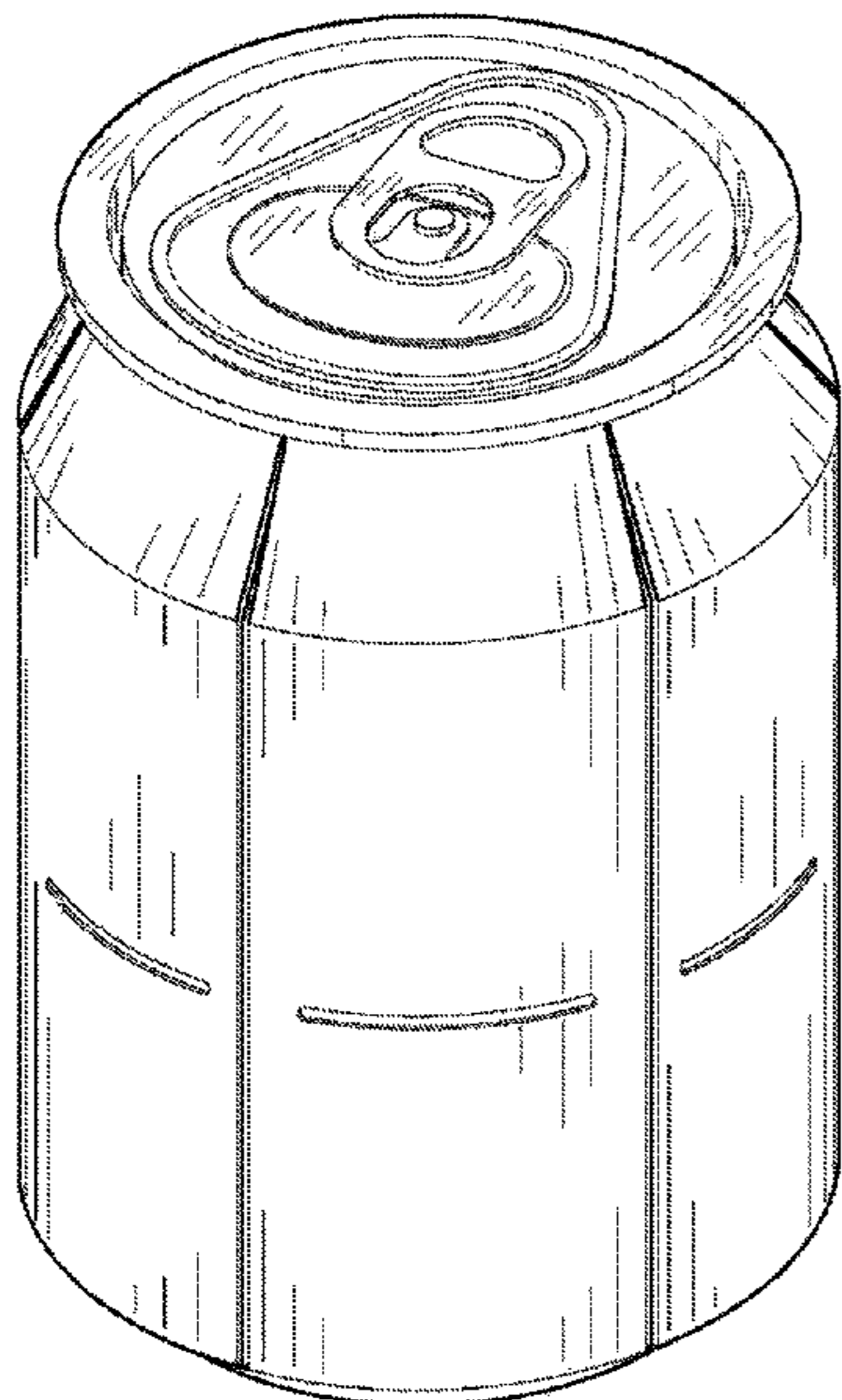
(57) **CLAIM**

The ornamental design for a collapsible toy configured as a beverage can, as shown and described.

**DESCRIPTION**

FIG. 1 is a top perspective view of a collapsible toy configured as a beverage can shown in an uncollapsed configuration; FIG. 2 is a top perspective view of the collapsible toy configured as a beverage can shown in a collapsed configuration; FIG. 3 is a left side view thereof in an uncollapsed configuration, the right side view being a mirror image thereof; FIG. 4 is a front view thereof in an uncollapsed configuration, the rear view being a mirror image thereof; FIG. 5 is a bottom view thereof in an uncollapsed configuration; and, FIG. 6 is a top view thereof in an uncollapsed configuration. Portions of the disclosure shown in broken lines form no part of the claimed design.

**1 Claim, 5 Drawing Sheets**



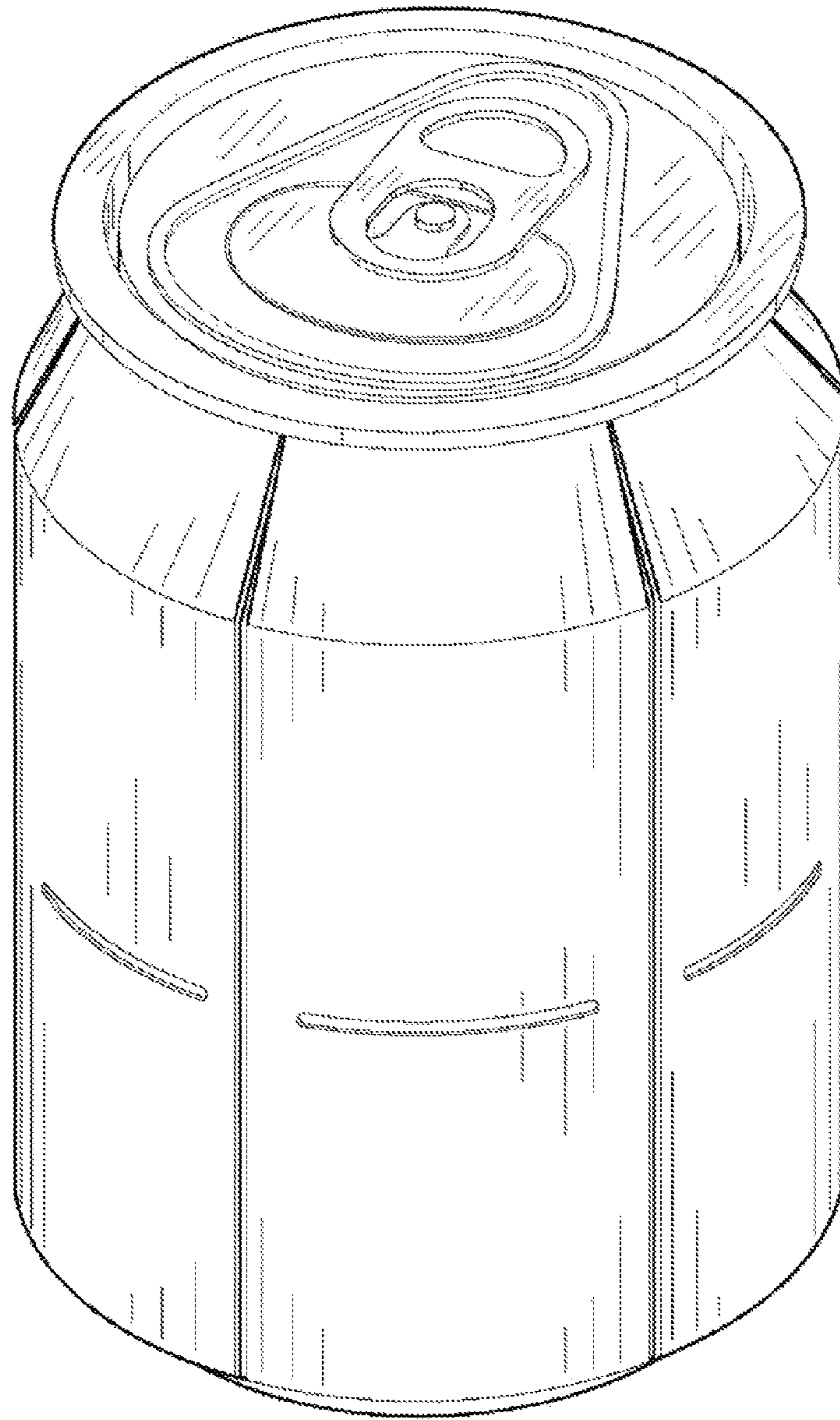


FIG. 1

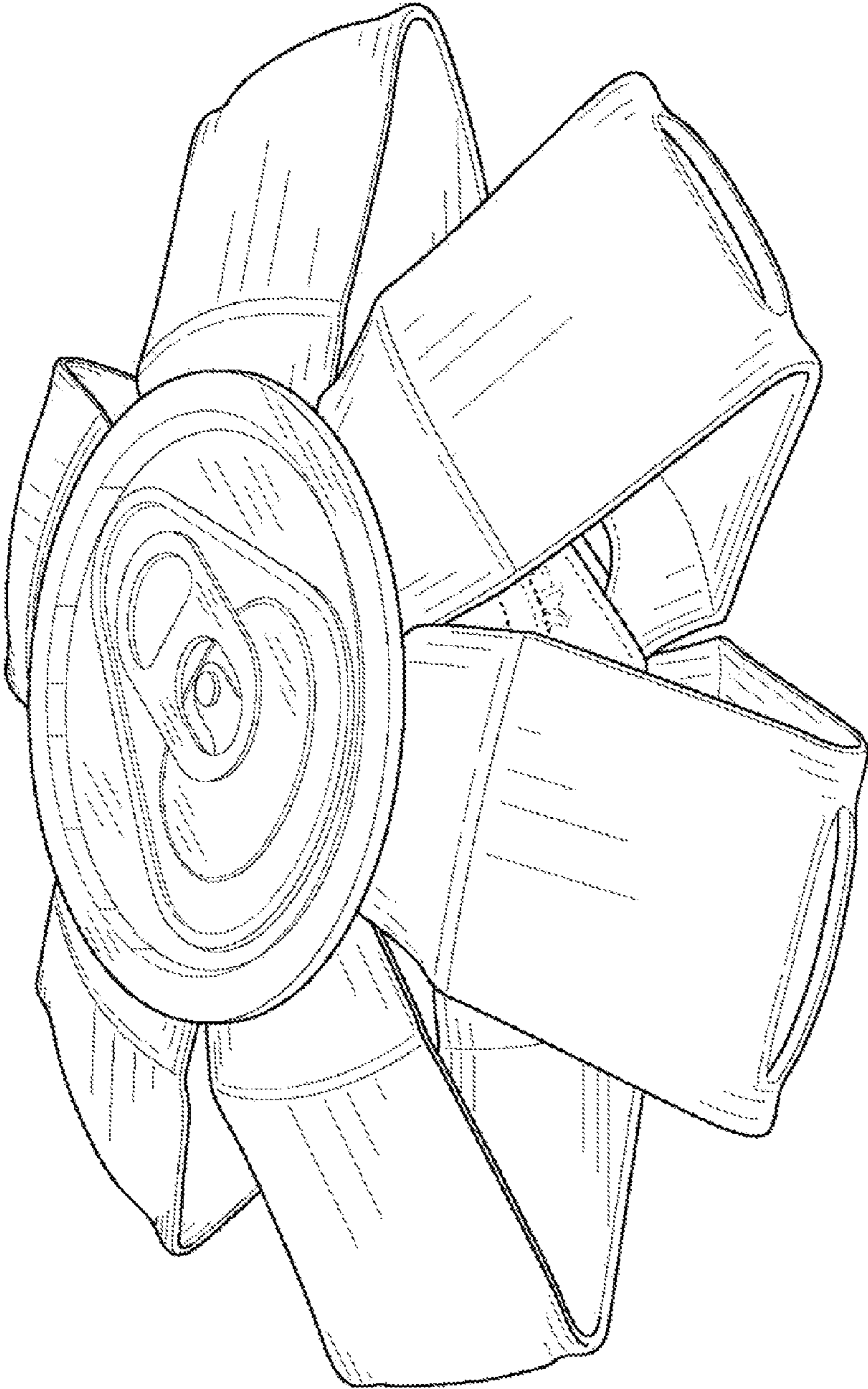


FIG. 2

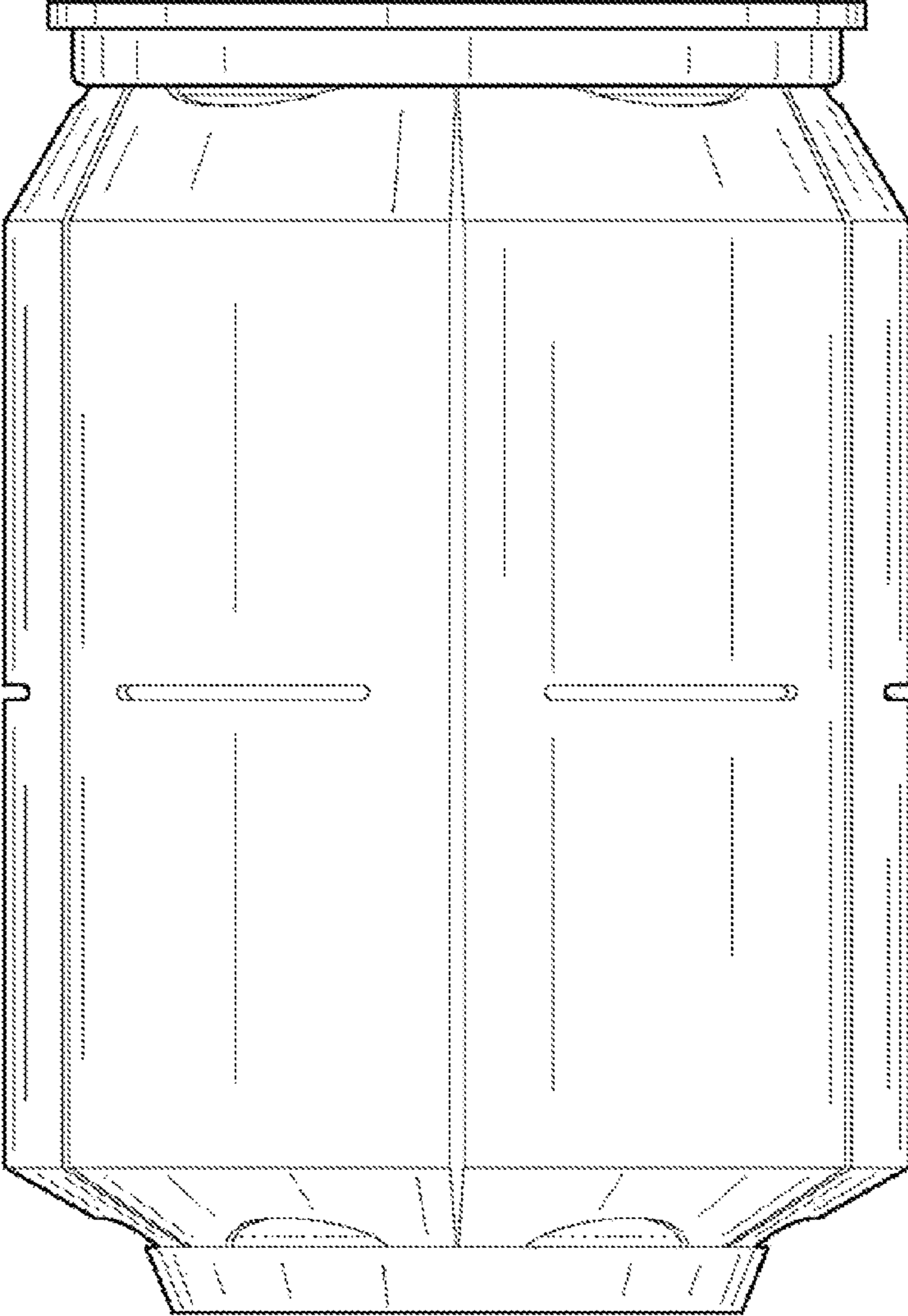


FIG. 3

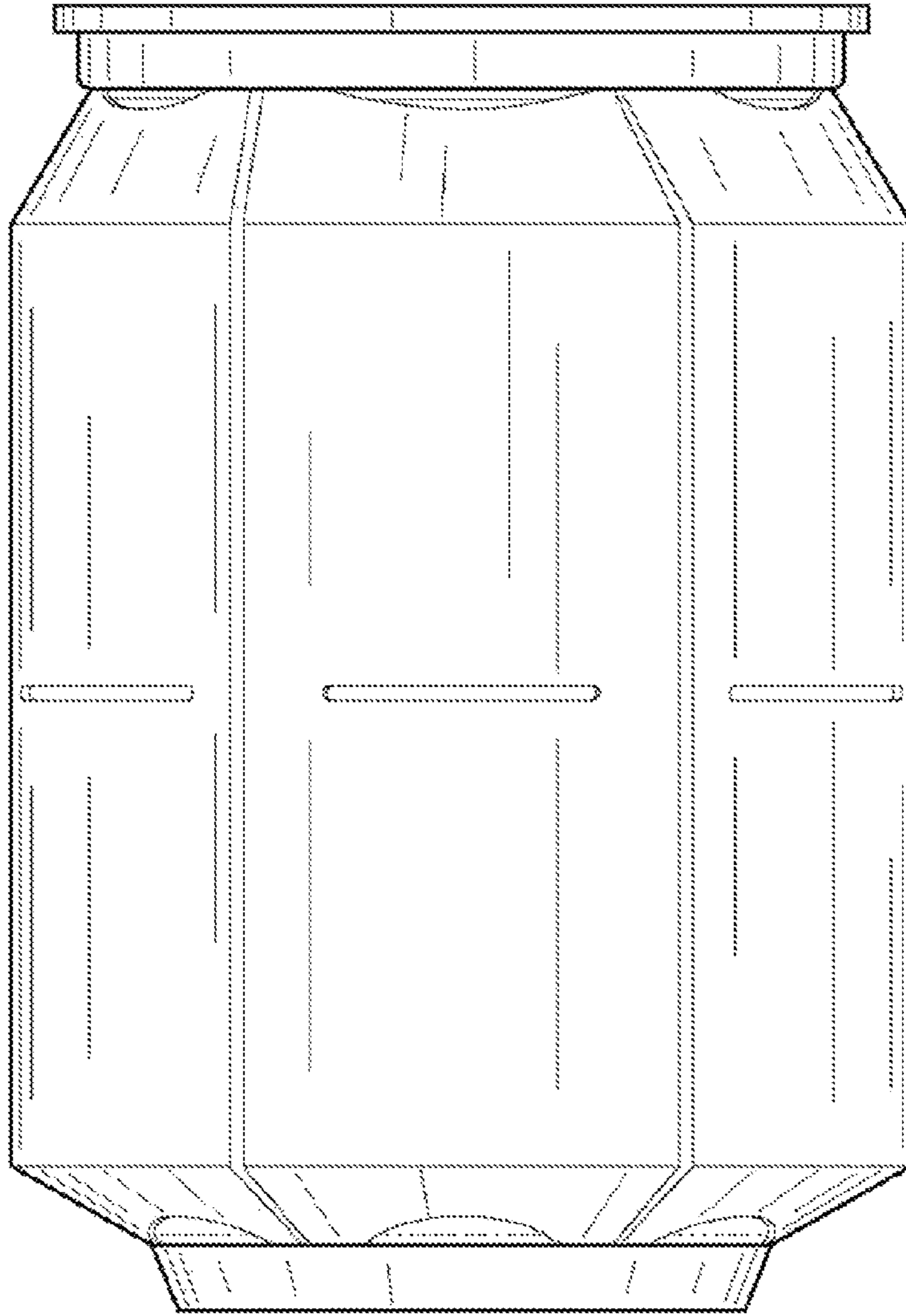


FIG. 4

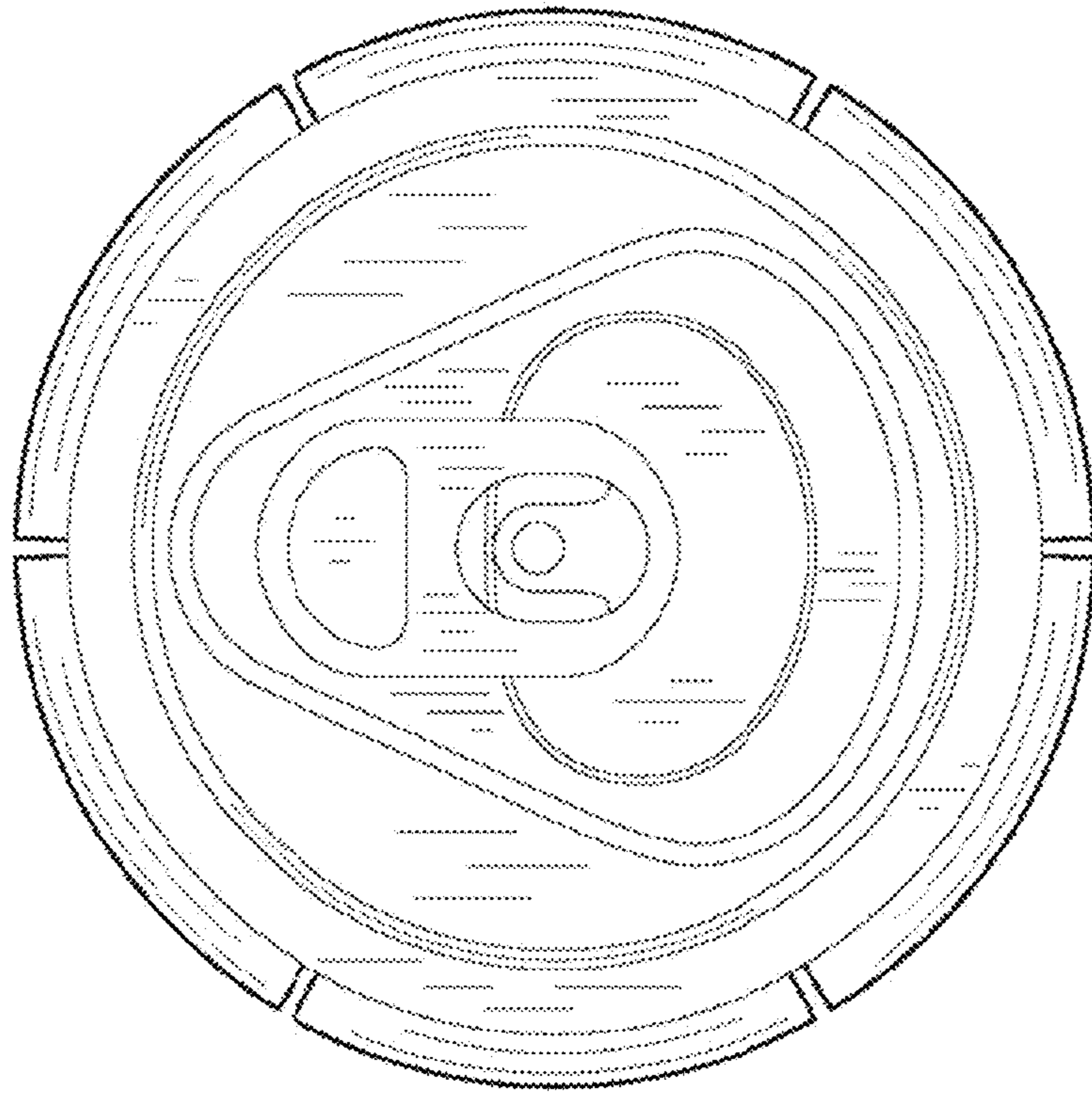


FIG. 6

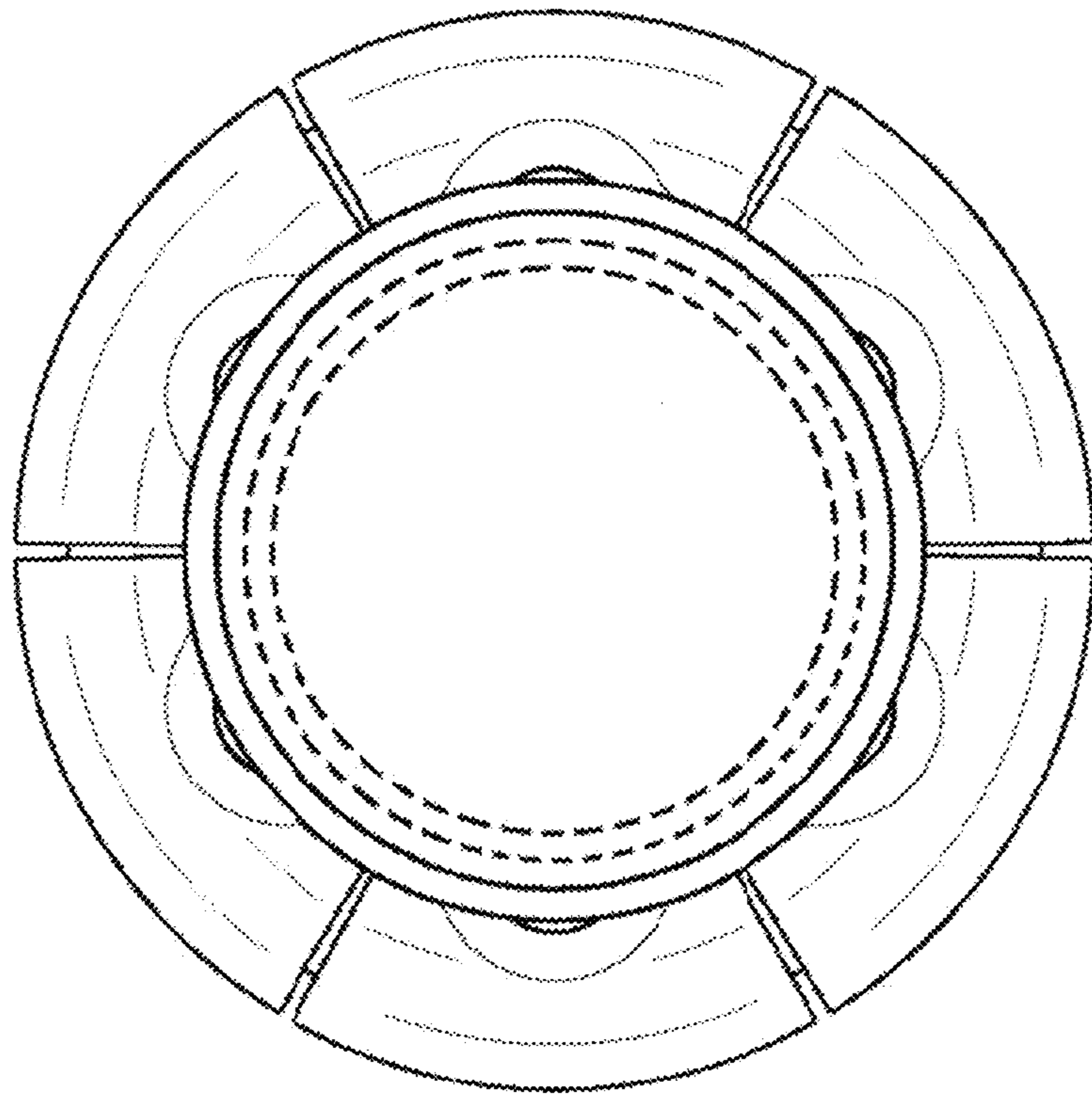


FIG. 5