



US00D760088S

(12) **United States Design Patent**  
**Kaye et al.**

(10) **Patent No.:** **US D760,088 S**  
(45) **Date of Patent:** **\*\* Jun. 28, 2016**

(54) **CONTAINER**

(71) Applicant: **THE SUN PRODUCTS CORPORATION**, Wilton, CT (US)

(72) Inventors: **Glenn Kaye**, Stamford, CT (US); **Anne Nixon**, Fairfield, CT (US); **Alexander Bennett**, Bedford, CT (US); **Robert Ripley**, Stratford, CT (US)

(73) Assignee: **The Sun Products Corporation**, Wilton, CT (US)

(\*\*) Term: **14 Years**

(21) Appl. No.: **29/466,785**

(22) Filed: **Sep. 11, 2013**

(51) **LOC (10) Cl.** ..... **09-01**

(52) **U.S. Cl.**

USPC ..... **D9/560**; D9/516; D9/520; D9/563

(58) **Field of Classification Search**

USPC ..... D9/453, 454, 520, 522, 530, 541, 560, D9/563, 564, 574, 430, 432, 452, 572; D7/300.1, 509–511, 590–560, D7/601–612, 300, 619.1; D3/202, 203.2, D3/901, 201, 203.1, 396.2; D24/124, 224, D24/121; D21/707; 215/209, 379, 381–385; 401/129; D19/93; 220/660, 675

CPC ..... A61J 1/03; A61J 1/05; B65D 1/02; B65D 1/0223; B65D 1/08; B65D 1/10; B65D 1/00; B65D 1/0207; B65D 1/0246; A47G 19/22; A47G 19/2205; A47G 19/2266

See application file for complete search history.

(56) **References Cited**

**U.S. PATENT DOCUMENTS**

D267,076 S \* 11/1982 Hurtig ..... D9/520  
5,544,768 A \* 8/1996 Gargione ..... 215/209  
D382,488 S \* 8/1997 Ja ..... D9/560  
D403,582 S 1/1999 Nask

D406,237 S 3/1999 Bettiga  
D407,978 S \* 4/1999 Petro ..... D9/453  
D419,369 S 1/2000 Naft et al.  
D423,366 S \* 4/2000 Gans ..... D9/541  
D426,161 S \* 6/2000 Hestehave et al. .... D9/520  
D426,469 S \* 6/2000 Mankowski et al. .... D9/541  
D435,455 S \* 12/2000 Gans ..... D9/541  
D437,228 S 2/2001 Collins  
D481,801 S \* 11/2003 Whitley ..... D24/224  
D492,596 S 7/2004 Miceli et al.  
D515,865 S 2/2006 Kim  
D518,719 S \* 4/2006 von Spreckelsen et al. ... D9/453  
D523,755 S \* 6/2006 Considine et al. .... D9/560  
D528,417 S 9/2006 Matsuda et al.  
D531,913 S \* 11/2006 Heisner et al. .... D9/560  
D537,492 S \* 2/2007 Paolucci et al. .... D21/707  
D541,148 S 4/2007 Gross et al.  
D542,128 S 5/2007 Gross et al.  
D547,657 S 7/2007 Tacchella

(Continued)

*Primary Examiner* — Thomas Johannes

*Assistant Examiner* — Catherine Posthauer

(74) *Attorney, Agent, or Firm* — Sterne, Kessler, Goldstein & Fox P.L.L.C.

(57) **CLAIM**

The ornamental design for a container, as shown and described.

**DESCRIPTION**

FIG. 1 is a top perspective view of a container showing our new design;

FIG. 2 is a front view thereof;

FIG. 3 is a rear view thereof;

FIG. 4 is a left side view thereof;

FIG. 5 is a right side view thereof;

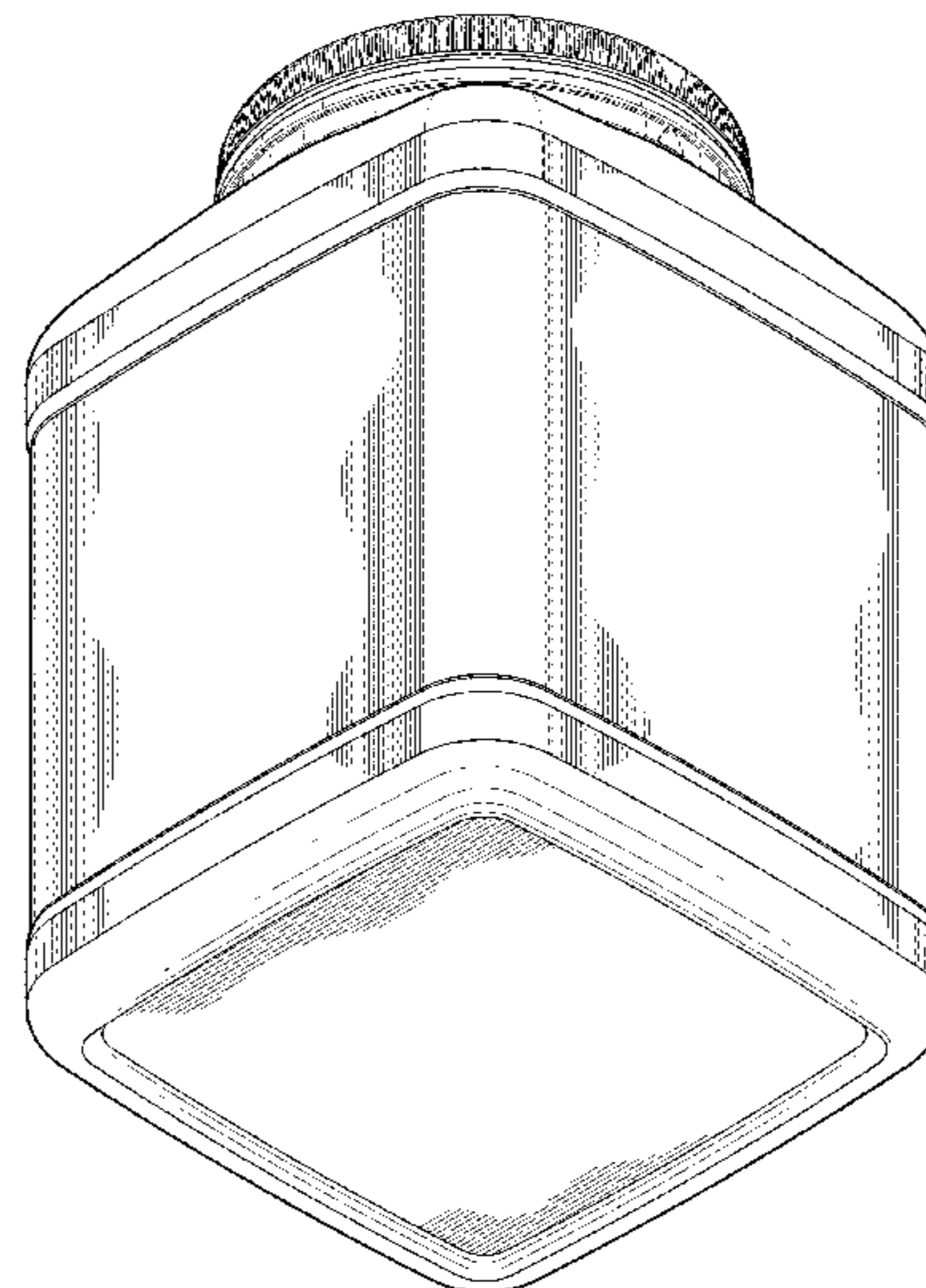
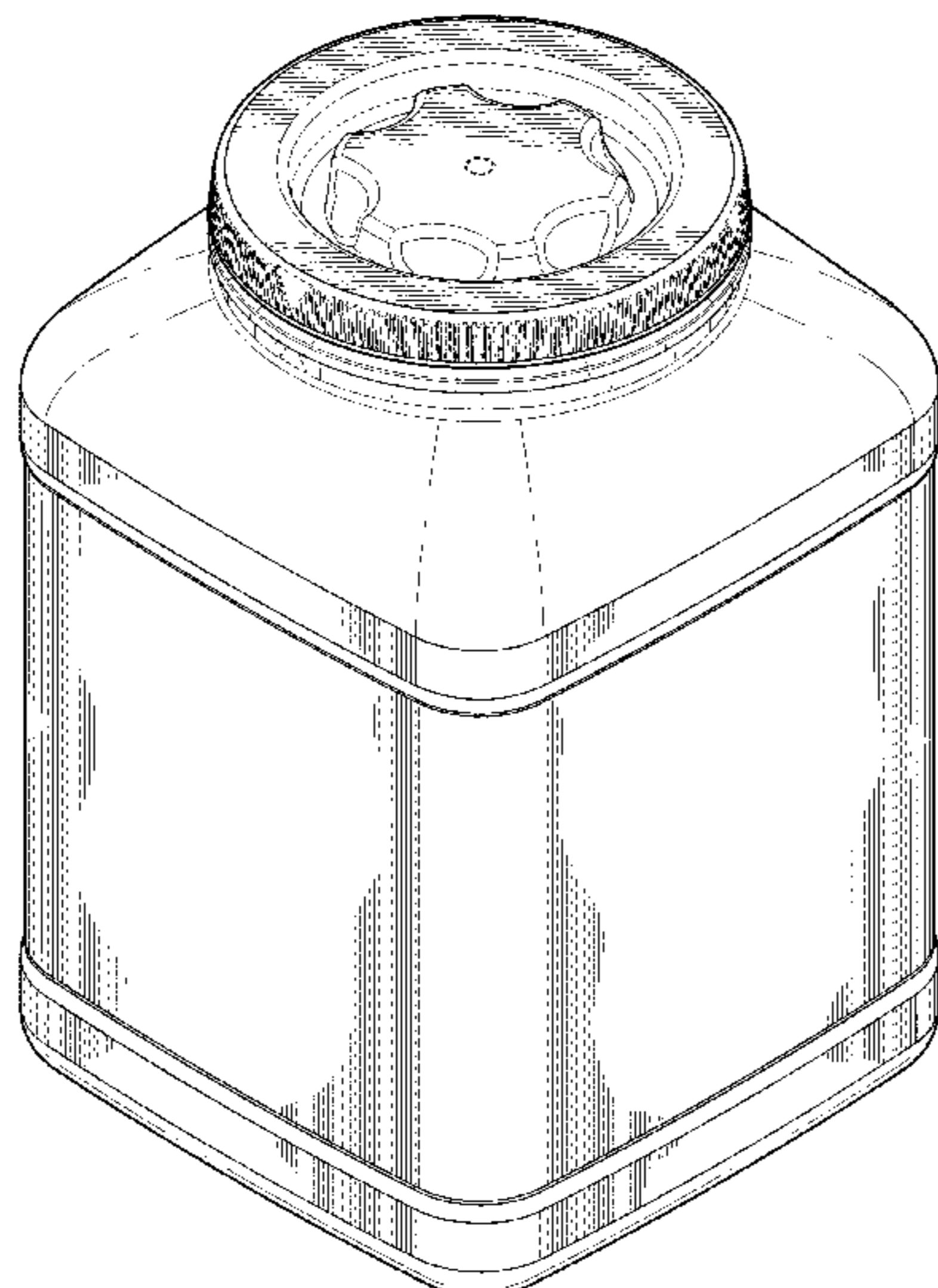
FIG. 6 is a top view thereof;

FIG. 7 is a bottom view thereof; and,

FIG. 8 is a bottom perspective view thereof.

The broken lines in the figures show portions of the container that form no part of the claimed design.

**1 Claim, 8 Drawing Sheets**



(56)

**References Cited**

U.S. PATENT DOCUMENTS

D548,103 S *	8/2007	Waldner	.....	D9/560	D617,191 S *	6/2010	Stull et al.	.....	D9/452
D553,819 S	10/2007	Brothers			D630,518 S *	1/2011	Biesecker et al.	.....	D9/558
D558,583 S *	1/2008	Langbein et al.	.....	D9/560	D632,958 S *	2/2011	Fuchs	.....	D9/453
D564,878 S	3/2008	Baughman et al.			D637,081 S	5/2011	Collins		
D567,087 S	4/2008	Baughman et al.			D641,628 S	7/2011	Baughman		
D587,580 S	3/2009	Kane et al.			D643,295 S *	8/2011	Sadler et al.	.....	D9/522
D588,870 S	3/2009	Rasmussen			D646,754 S	10/2011	Reimann et al.		
D596,455 S	7/2009	Laib			D655,181 S *	3/2012	Kraft et al.	.....	D9/560
D600,120 S	9/2009	Kawamura			D668,542 S	10/2012	Thurin et al.		
D604,613 S	11/2009	Garboni			D671,834 S *	12/2012	Chasteen et al.	.....	D9/453
D608,641 S	1/2010	Baughman et al.			D673,047 S	12/2012	Stamper et al.		
D610,007 S	2/2010	Baughman et al.			D676,329 S *	2/2013	Yourist	.....	D9/541
D612,257 S *	3/2010	Wurster et al.	.....	D9/560	D717,661 S *	11/2014	McIntire et al.	.....	D9/560
					D722,804 S *	2/2015	Kay et al.	.....	D7/300.1
					D722,884 S *	2/2015	Eble	.....	D9/543
					D723,370 S *	3/2015	Medlin	.....	D9/453

\* cited by examiner



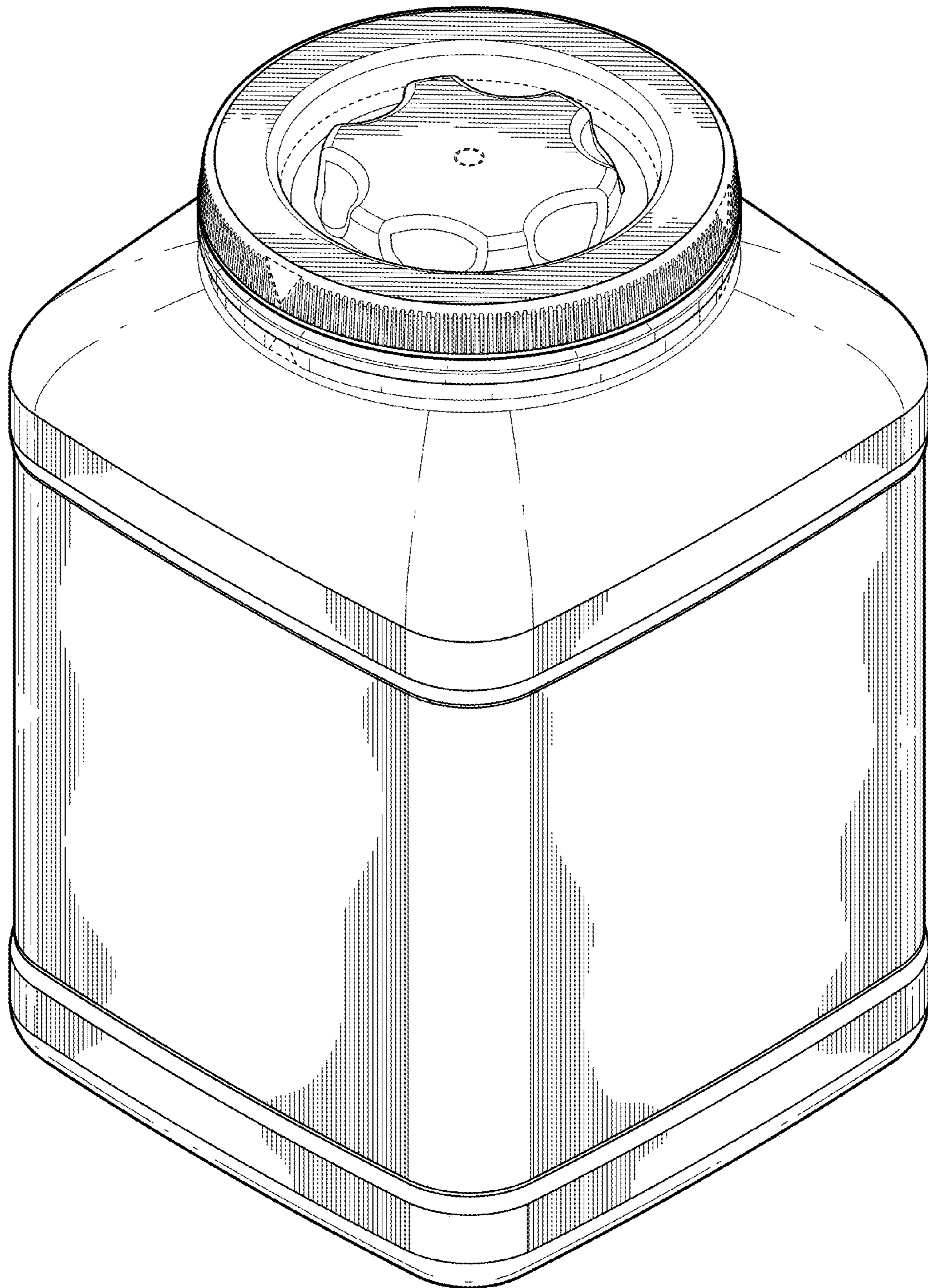


FIG. 1

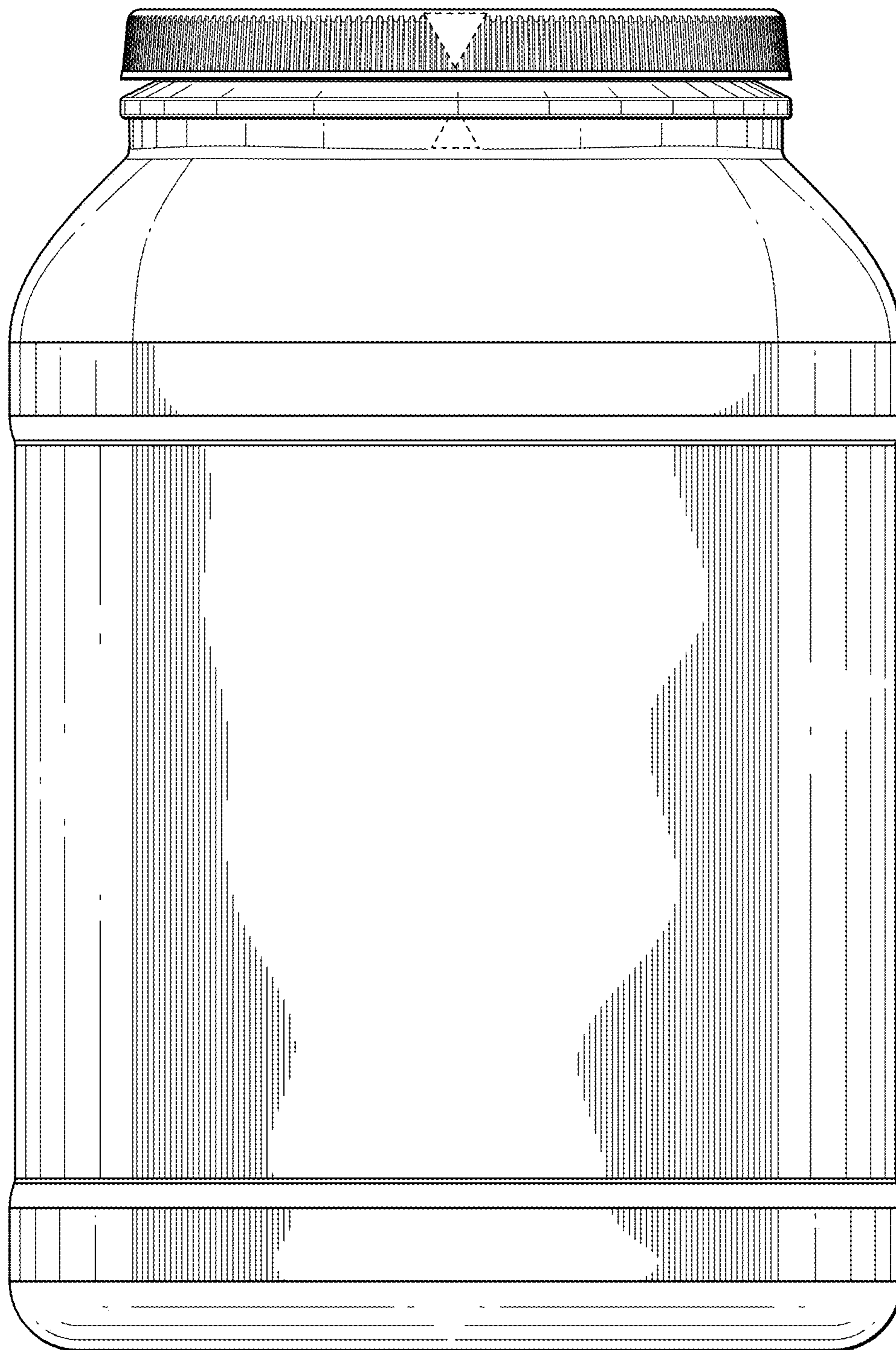


FIG. 2



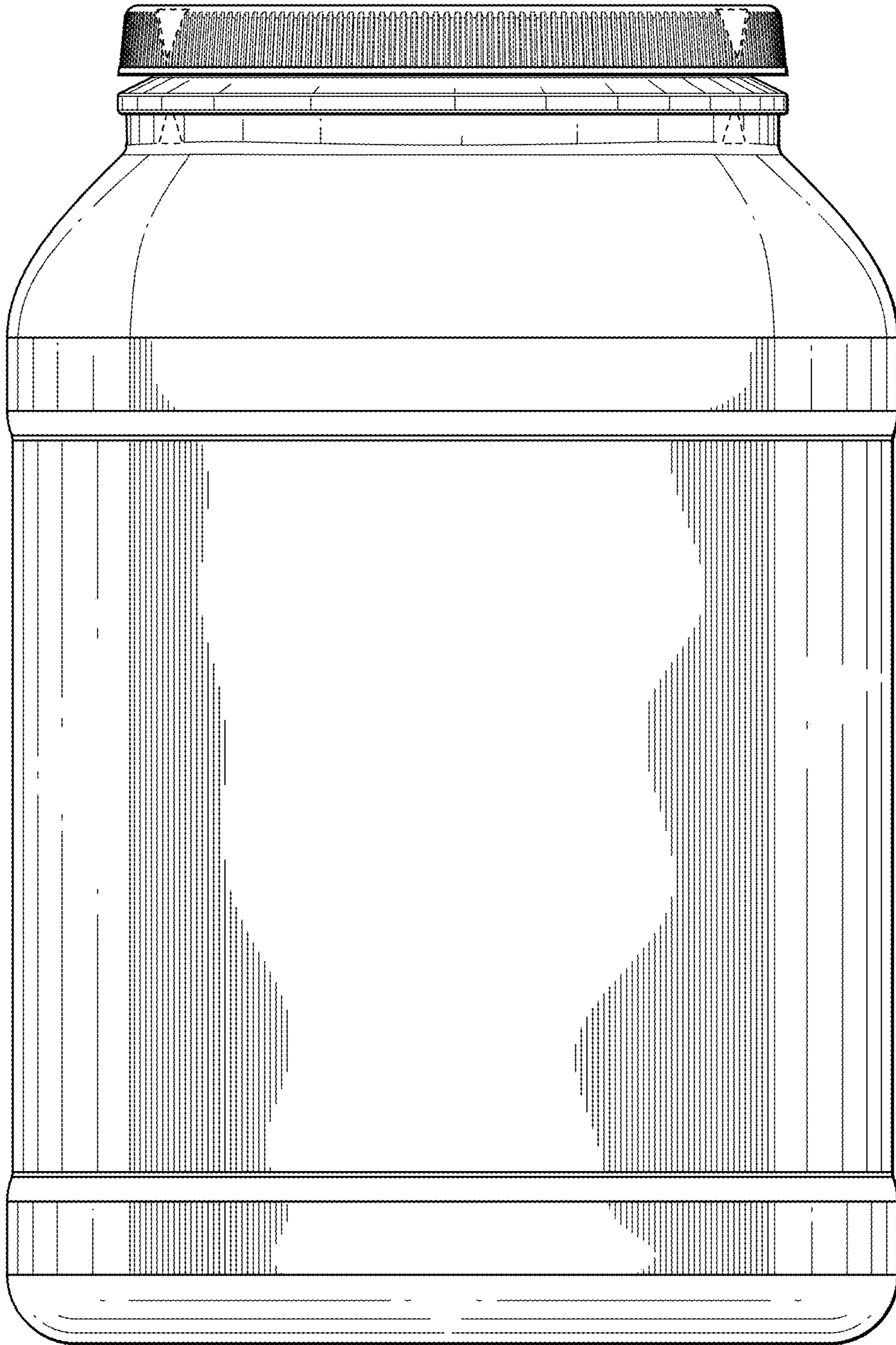


FIG. 3

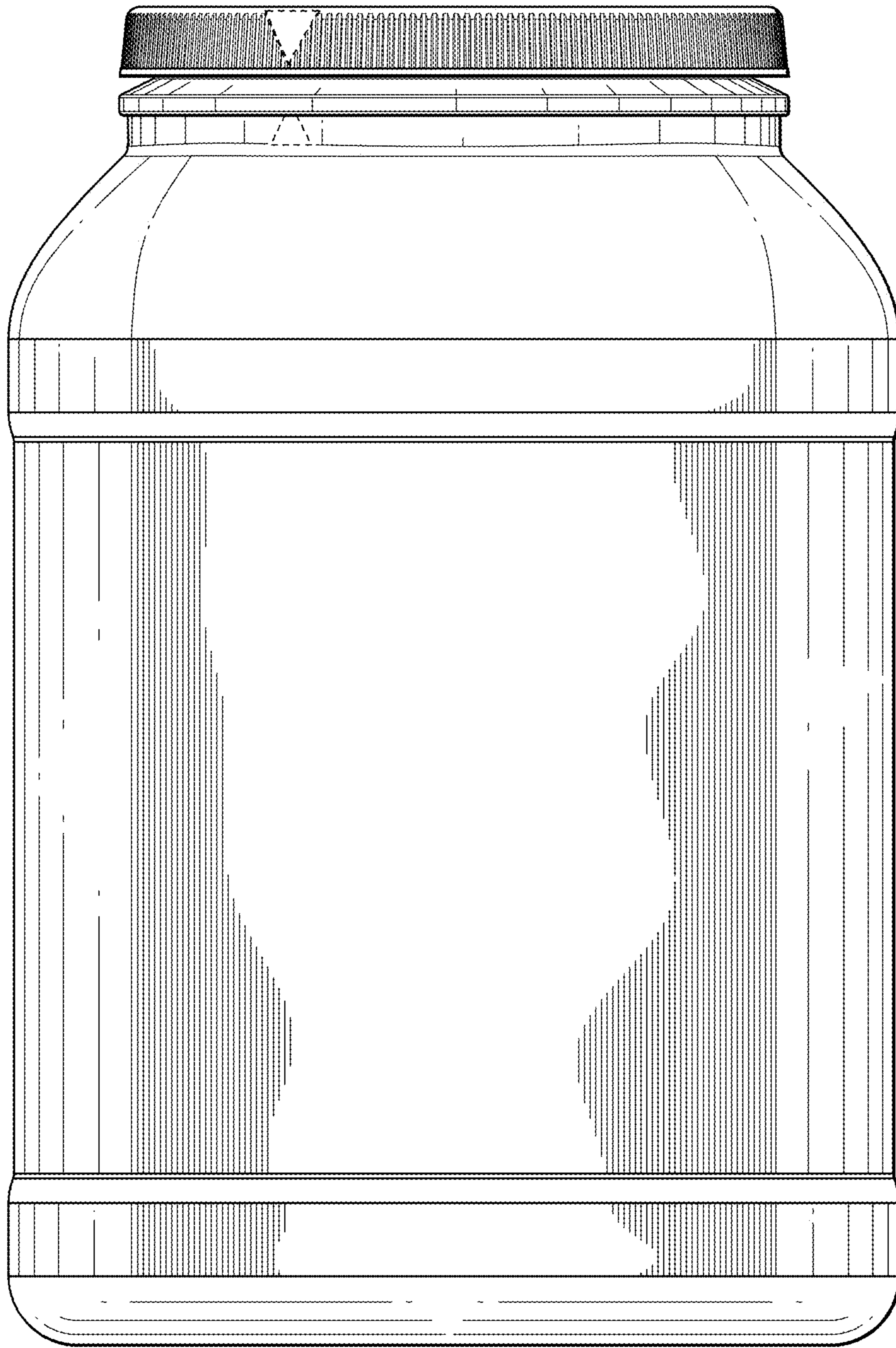


FIG. 4

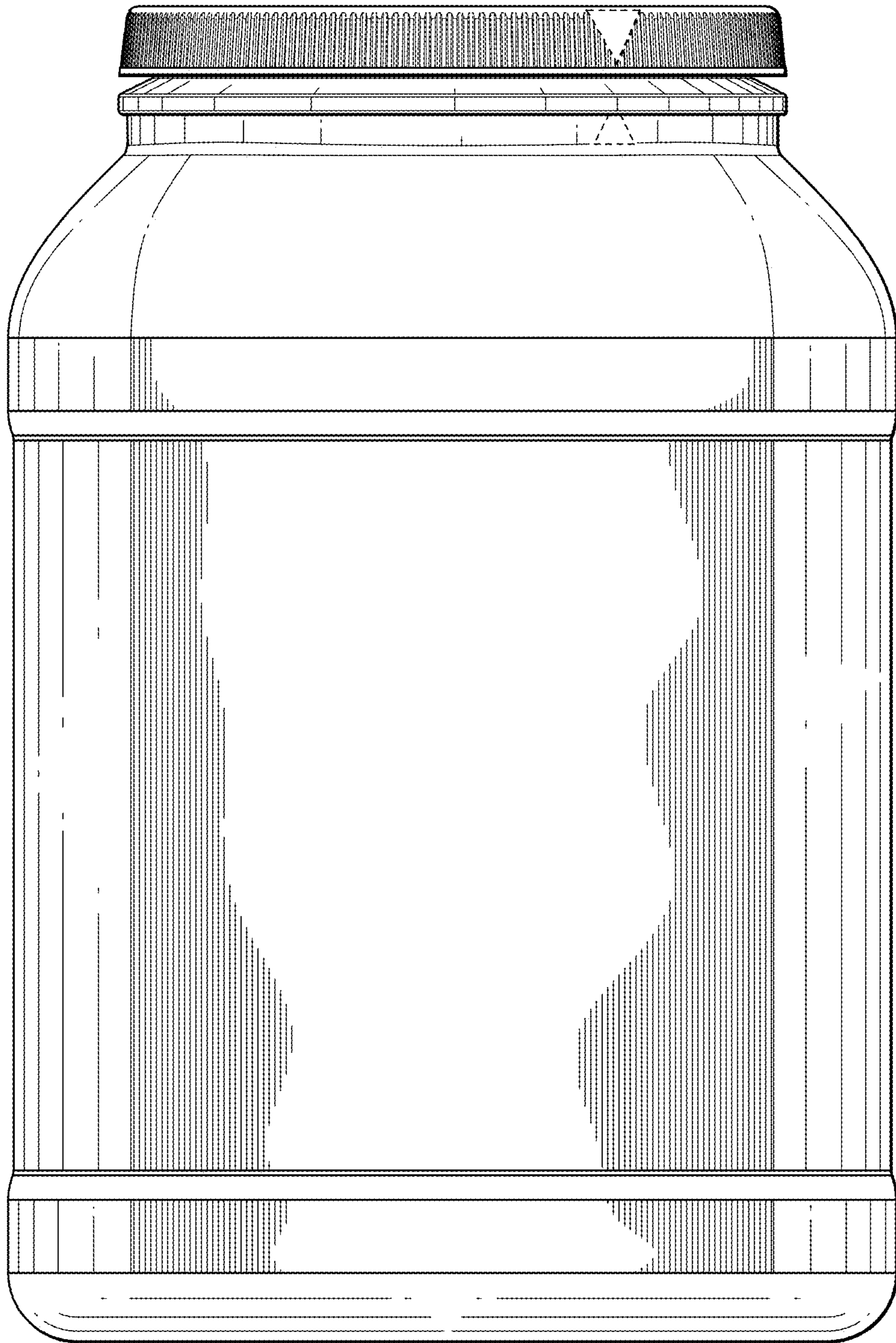


FIG. 5



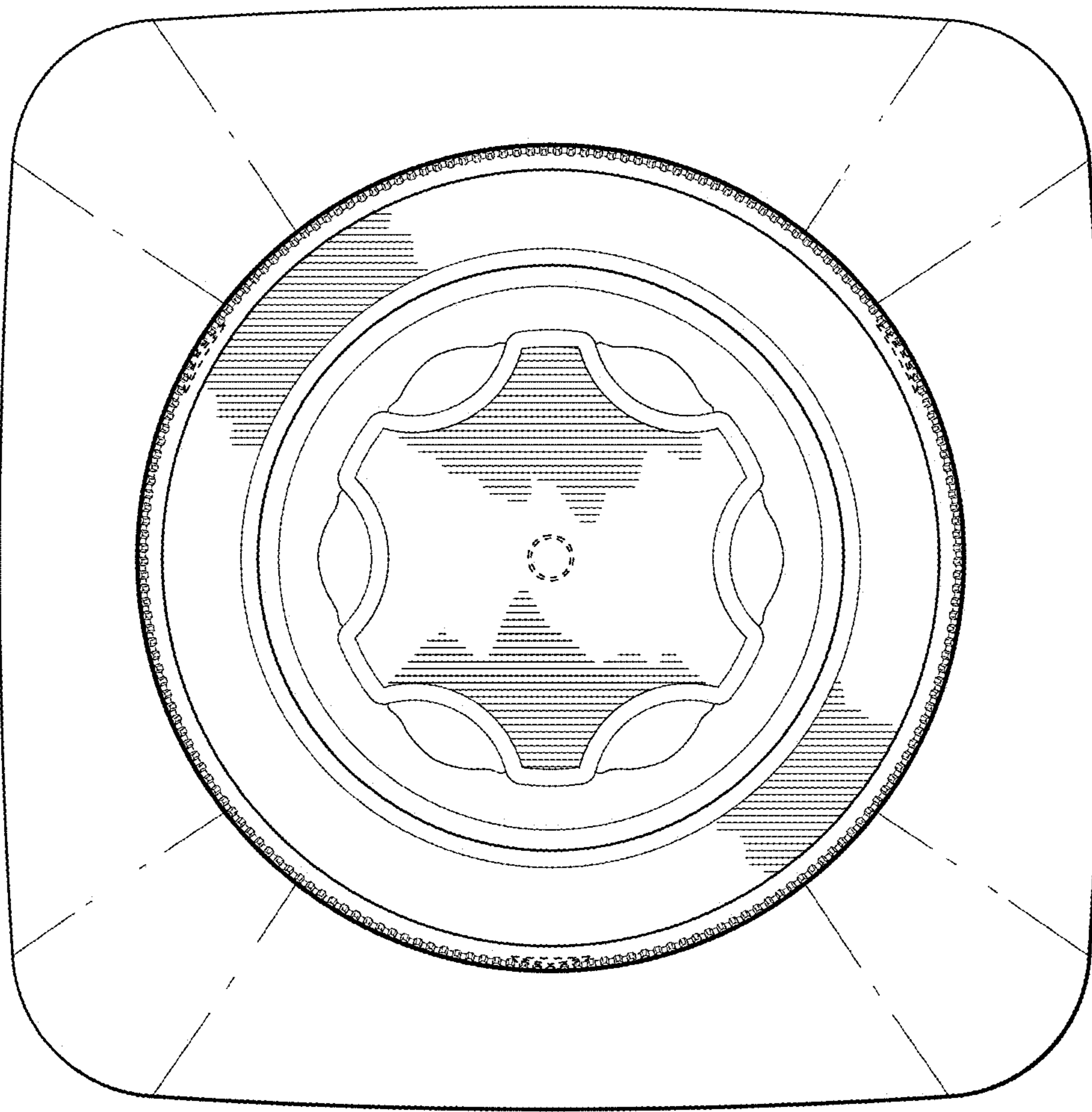


FIG. 6



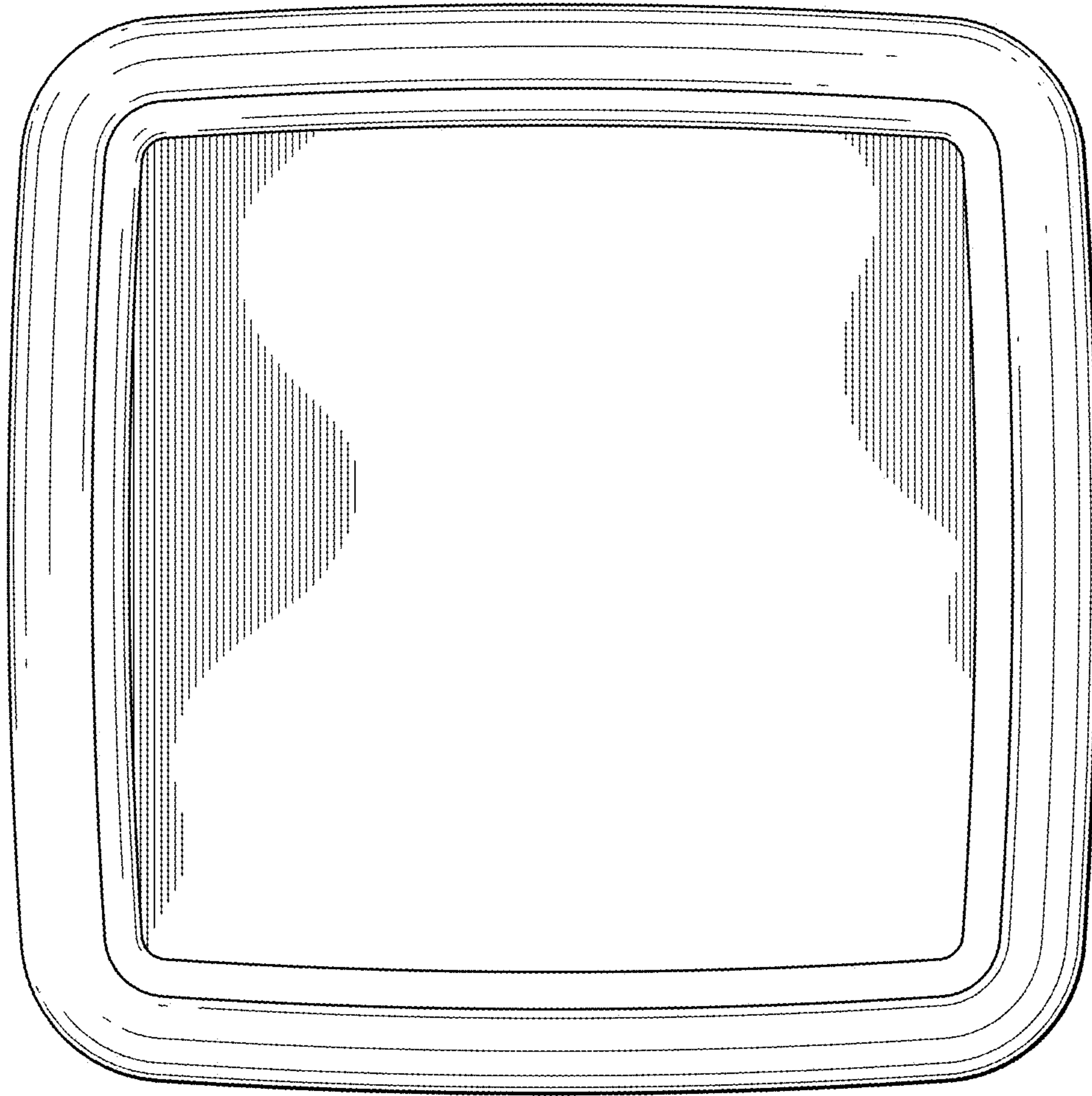


FIG. 7

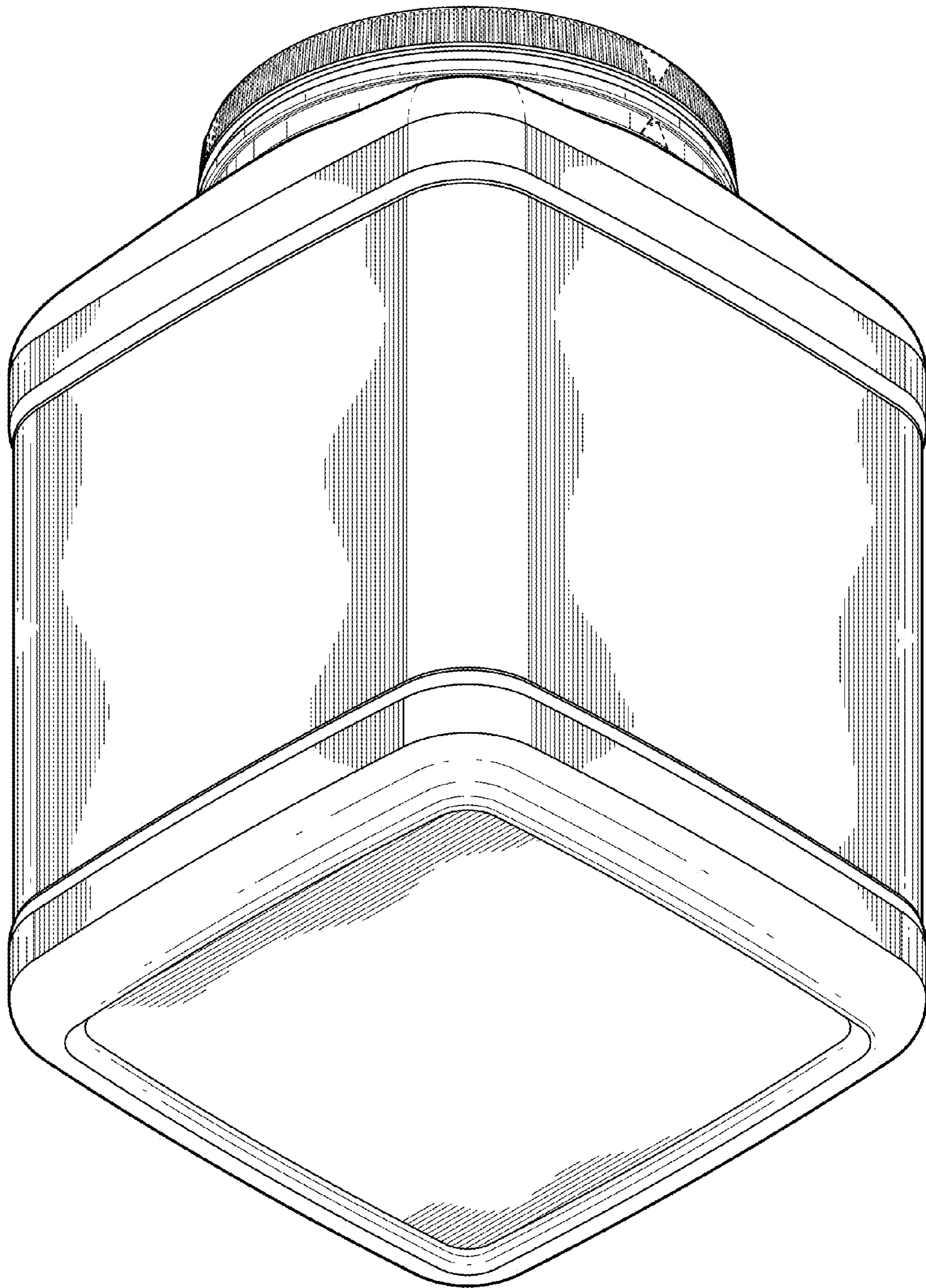


FIG. 8