



(12) **United States Design Patent**  
**Dittmer et al.**

(10) **Patent No.:** **US D760,087 S**  
(45) **Date of Patent:** **\*\* Jun. 28, 2016**

- (54) **PERSONAL CARE PRODUCT CONTAINER**
- (71) Applicant: **Access Business Group International LLC**, Ada, MI (US)
- (72) Inventors: **Jay R. Dittmer**, Ada, MI (US); **Mark F. Mettler**, Spring Lake, MI (US); **Joe D. Doucet**, Brooklyn, NY (US)
- (73) Assignee: **Access Business Group International LLC**, Ada, MI (US)
- (\*\*) Term: **14 Years**
- (21) Appl. No.: **29/486,851**
- (22) Filed: **Apr. 3, 2014**
- (51) **LOC (10) Cl.** ..... **09-01**
- (52) **U.S. Cl.**  
USPC ..... **D9/556**; D9/549; D9/569; D9/575;  
D9/516; D9/529
- (58) **Field of Classification Search**  
USPC ..... D3/202, 203.2, 901, 208, 212; D4/116;  
D7/313, 401.1, 510, 619.1; D9/430,  
D9/502, 504, 519, 520, 522, 523, 526, 529,  
D9/530, 558, 559, 560, 563, 564, 569, 571,  
D9/574, 682, 686, 687, 689, 719, 774, 434,  
D9/435, 516, 537, 549, 555, 556, 566, 690,  
D9/692, 724, 725, 727, 730, 737, 738;  
D19/93, 162, 163, 177, 181, 191;  
D21/684; D23/211.1–211.2, 366;  
D24/121, 124, 197, 224; D28/4, 7, 20,  
D28/66, 76, 82, 83, 85, 88, 89, 91.1, 77, 86,  
D28/90; D26/9; D32/29.1; 215/62.22, 220,  
215/329, 396, 398, 316, 379, 381–385;  
206/58.1; 229/5.5; 239/57; D6/517,  
D6/542; 220/288, 660, 669, 675  
CPC ..... A45D 33/003; A45D 33/22; A45D 34/00;  
A45D 40/30; A45D 33/00; A45D 33/14;  
A45D 34/06; A45D 2040/0025; A45D  
2040/0018; A45D 40/00; A45D 40/02;  
A45D 40/06; A45D 40/20; A45D 1/00;  
A45D 1/0223; A45D 1/0246; A45D 41/00;

A45D 41/02; A45D 41/04; A45D 2501/00;  
A45D 2501/0009; A61J 1/03; A61J 1/05;  
A47G 19/22; A47G 19/2205; A47G 19/2266;  
B65D 1/02; B65D 1/0223; B65D 1/08;  
B65D 1/10

See application file for complete search history.

(56) **References Cited**

U.S. PATENT DOCUMENTS

D90,001 S \* 5/1933 Vaughn ..... D28/89  
D256,331 S \* 8/1980 Gindek ..... D9/529

(Continued)

*Primary Examiner* — Thomas Johannes

*Assistant Examiner* — Catherine Posthauer

(74) *Attorney, Agent, or Firm* — Warner Norcross and Judd

(57) **CLAIM**

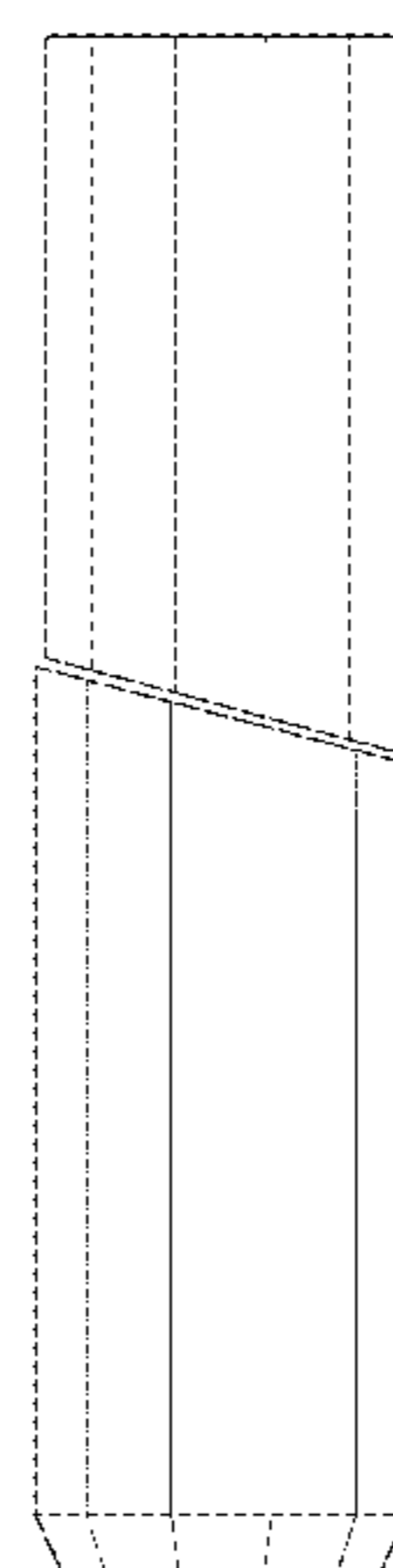
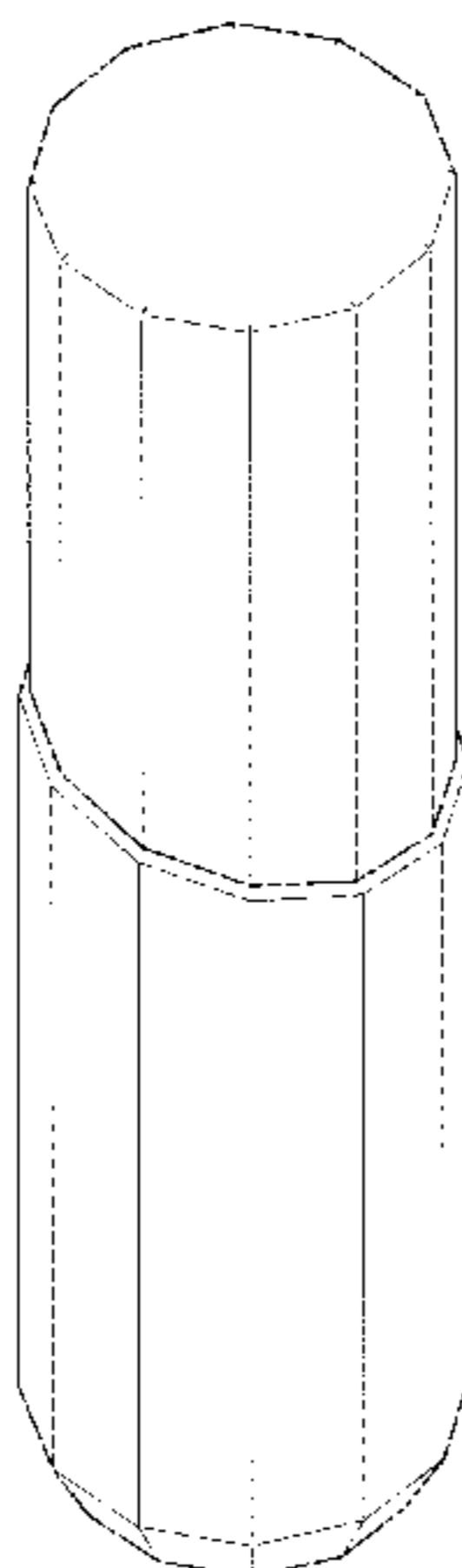
We claim a personal care product container, as shown and described.

**DESCRIPTION**

FIG. 1 is a perspective view of the personal care product container embodying the new design;  
FIG. 2 is a left side view thereof;  
FIG. 3 is a right side view thereof;  
FIG. 4 is a front view thereof;  
FIG. 5 is a rear view thereof;  
FIG. 6 is a top view thereof;  
FIG. 7 is a bottom view thereof;  
FIG. 8 is an enlarged view taken from the designation of 8 on FIG. 4; and,  
FIG. 9 is an enlarged view taken from the designation of 9 on FIG. 4.

The evenly broken lines are shown for the purpose of illustrating parts of the personal care product container that form no part of the claimed design. The dot-dash lines are shown for the purpose of identifying enlargement views and form no part of the claimed design.

**1 Claim, 5 Drawing Sheets**



(56)

References Cited

U.S. PATENT DOCUMENTS

D278,121 S \* 3/1985 Sussman ..... D9/504  
D280,141 S \* 8/1985 Holloway ..... D28/89  
D283,454 S \* 4/1986 Holloway ..... D28/88  
D427,427 S \* 7/2000 Davis ..... D3/203.5  
D472,812 S \* 4/2003 Lerolle ..... D28/88  
D522,367 S \* 6/2006 Bakic ..... D9/504  
D534,433 S \* 1/2007 Chadfield ..... D9/723  
D534,812 S \* 1/2007 Chadfield ..... D9/723  
D539,153 S \* 3/2007 Marx ..... D9/529  
D565,953 S \* 4/2008 Swint ..... D9/504

D567,448 S \* 4/2008 Mascotte ..... D28/90  
D583,678 S \* 12/2008 Yamamoto ..... D9/688  
D595,584 S \* 7/2009 Yamamoto ..... D9/529  
D629,252 S \* 12/2010 Alviar ..... D7/510  
D632,017 S \* 2/2011 Lee ..... D28/89  
8,083,427 B2 \* 12/2011 Maddy ..... A45D 40/00  
401/194  
D693,226 S \* 11/2013 Paschoal ..... D28/76  
D703,060 S \* 4/2014 Okulla ..... D28/76  
D703,384 S \* 4/2014 DeMarco ..... D28/88  
D704,066 S \* 5/2014 de Lima Paschoal ..... D28/76  
D728,371 S \* 5/2015 Behar ..... D9/454  
D736,643 S \* 8/2015 Mettler ..... D9/574

\* cited by examiner

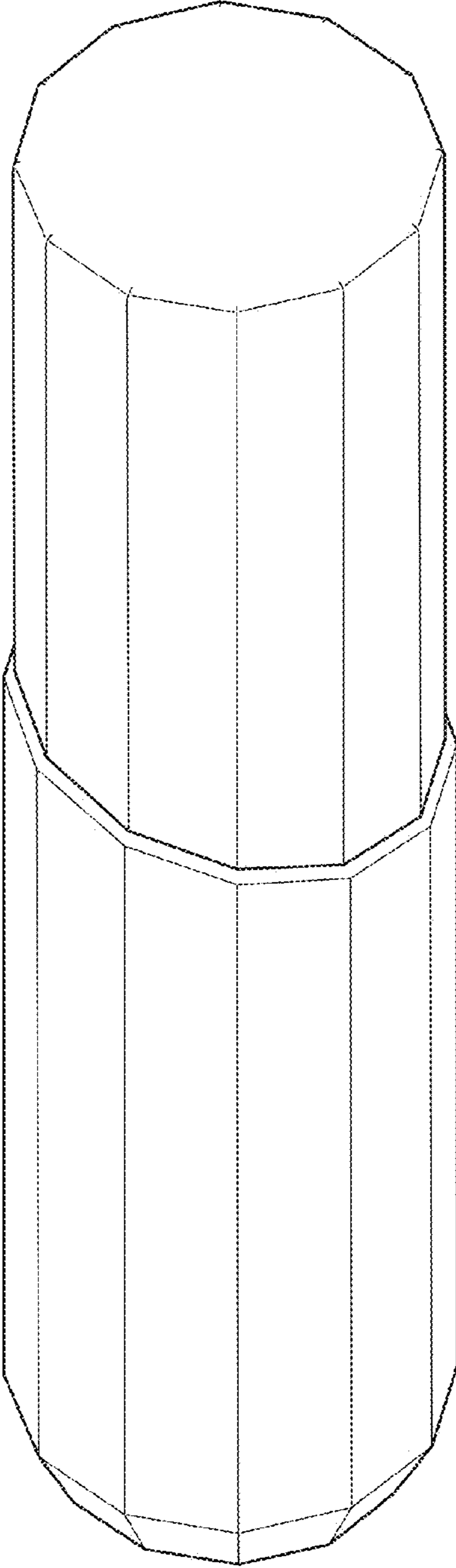


Fig. 1

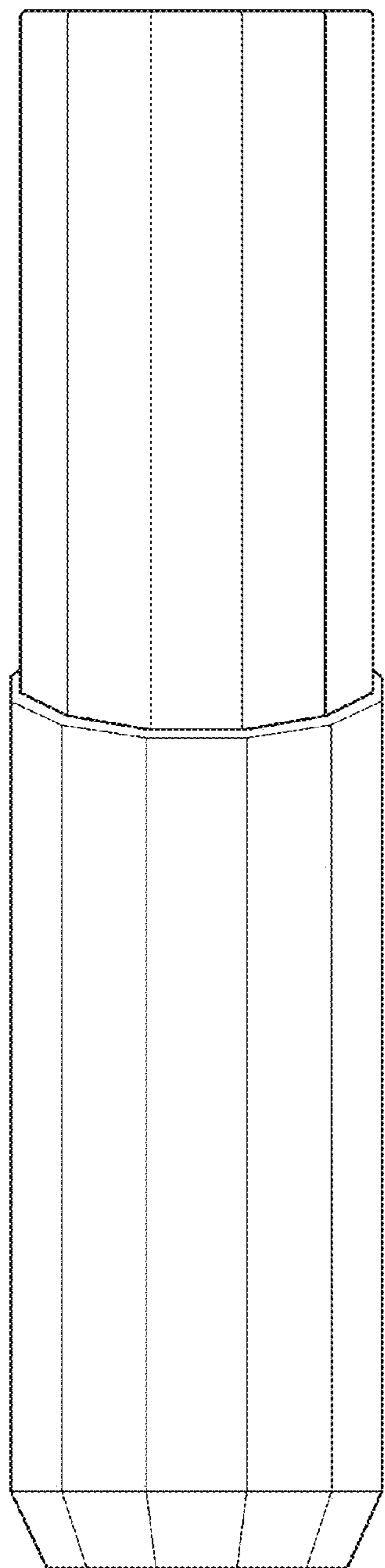


Fig. 2

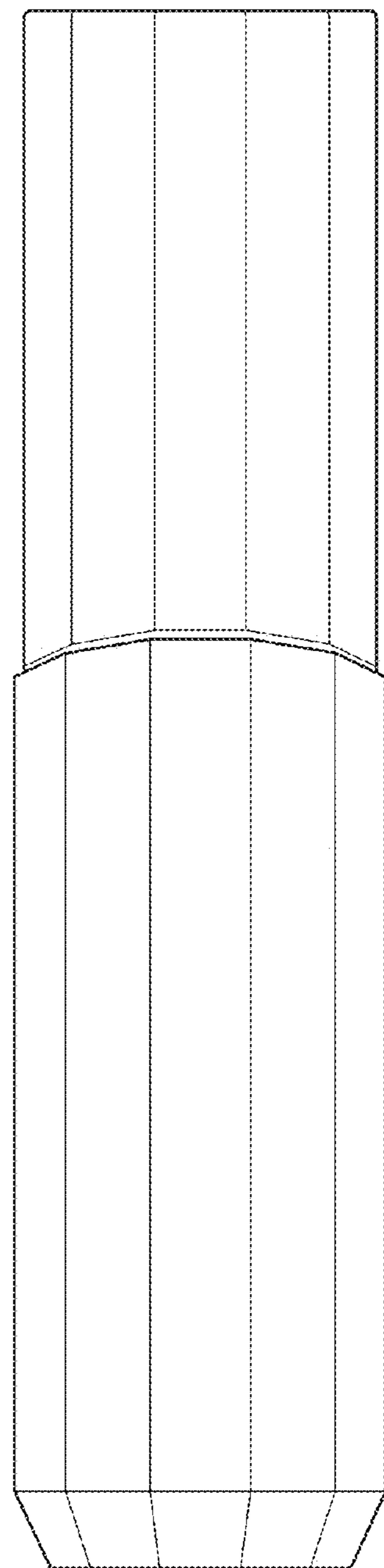


Fig. 3

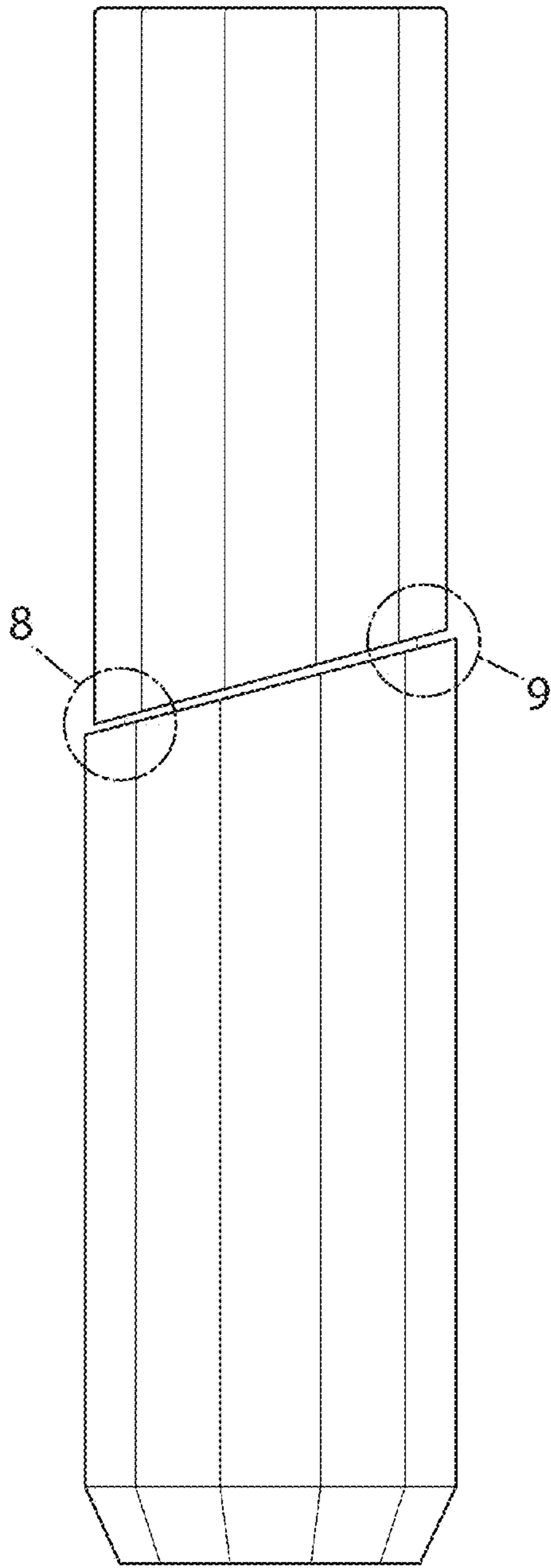


Fig. 4

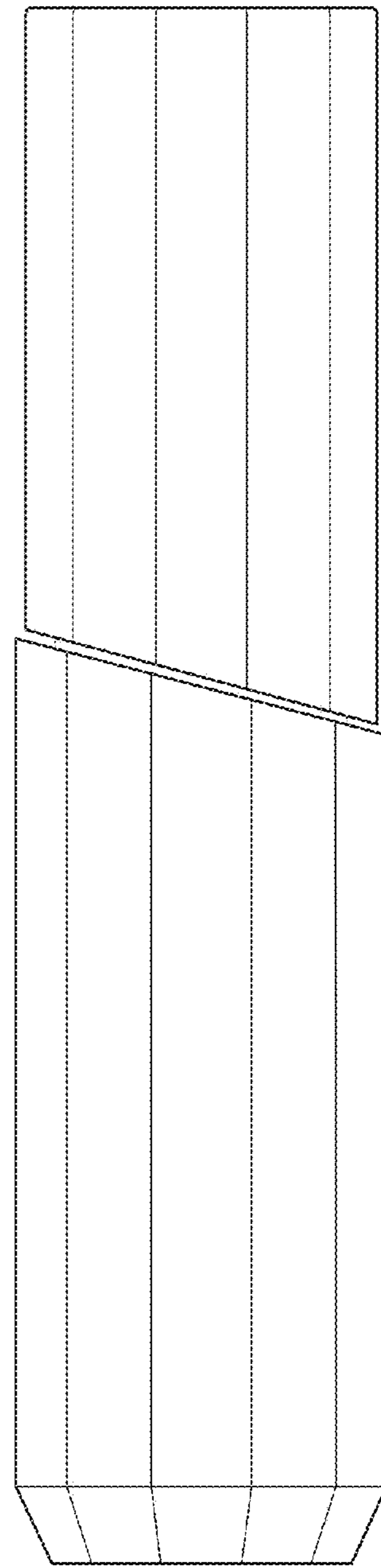


Fig. 5

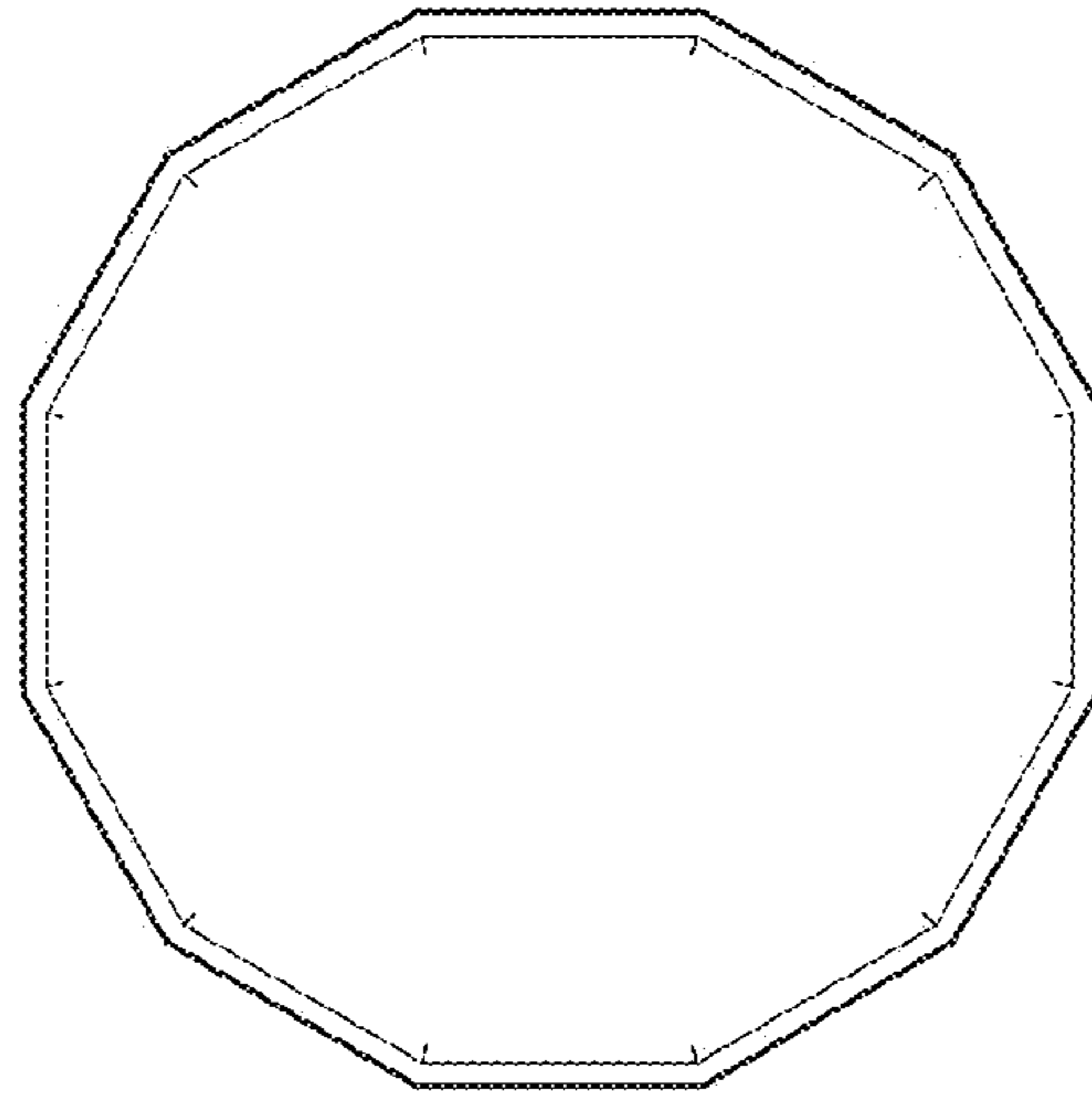


Fig. 6

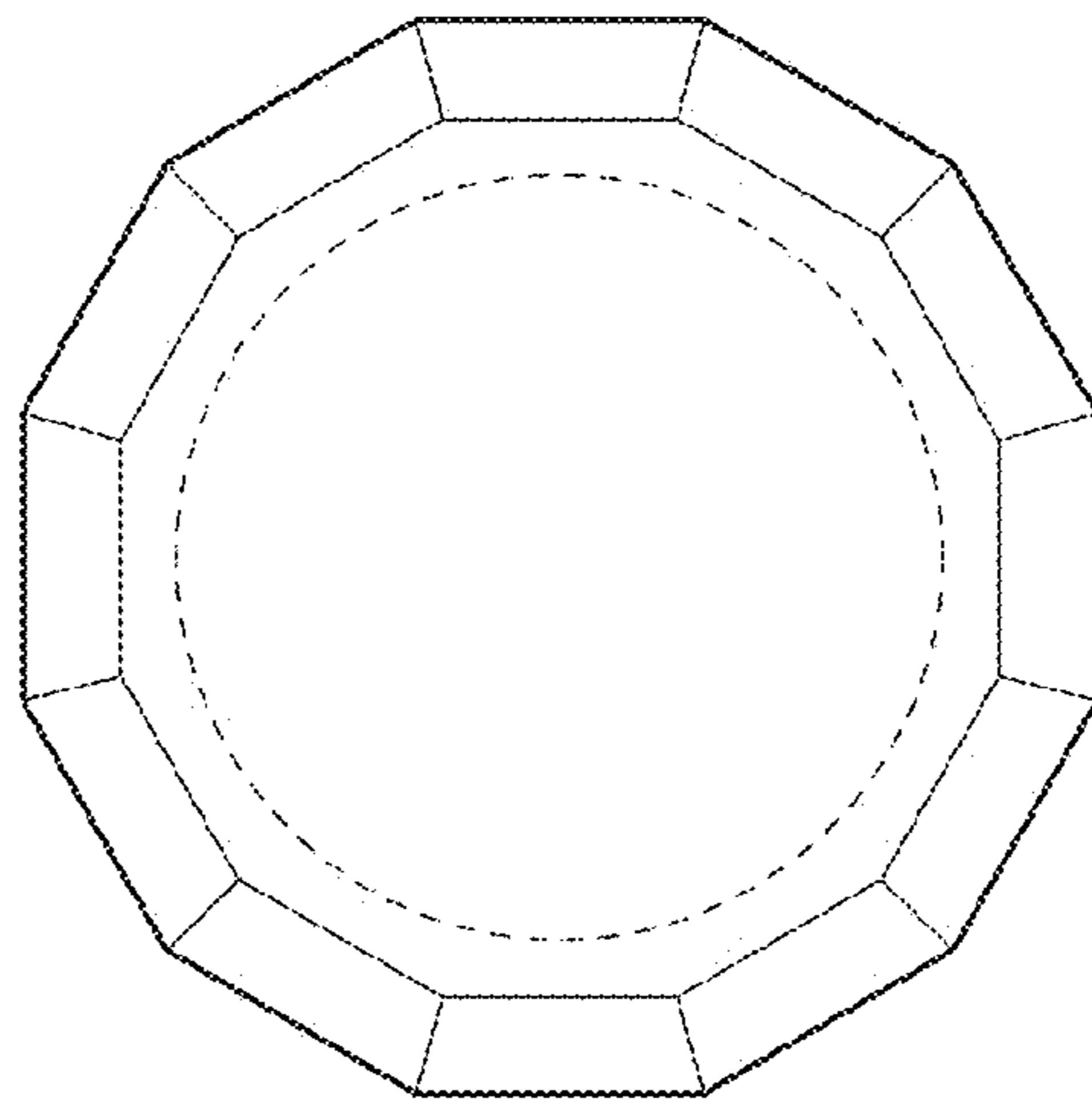


Fig. 7



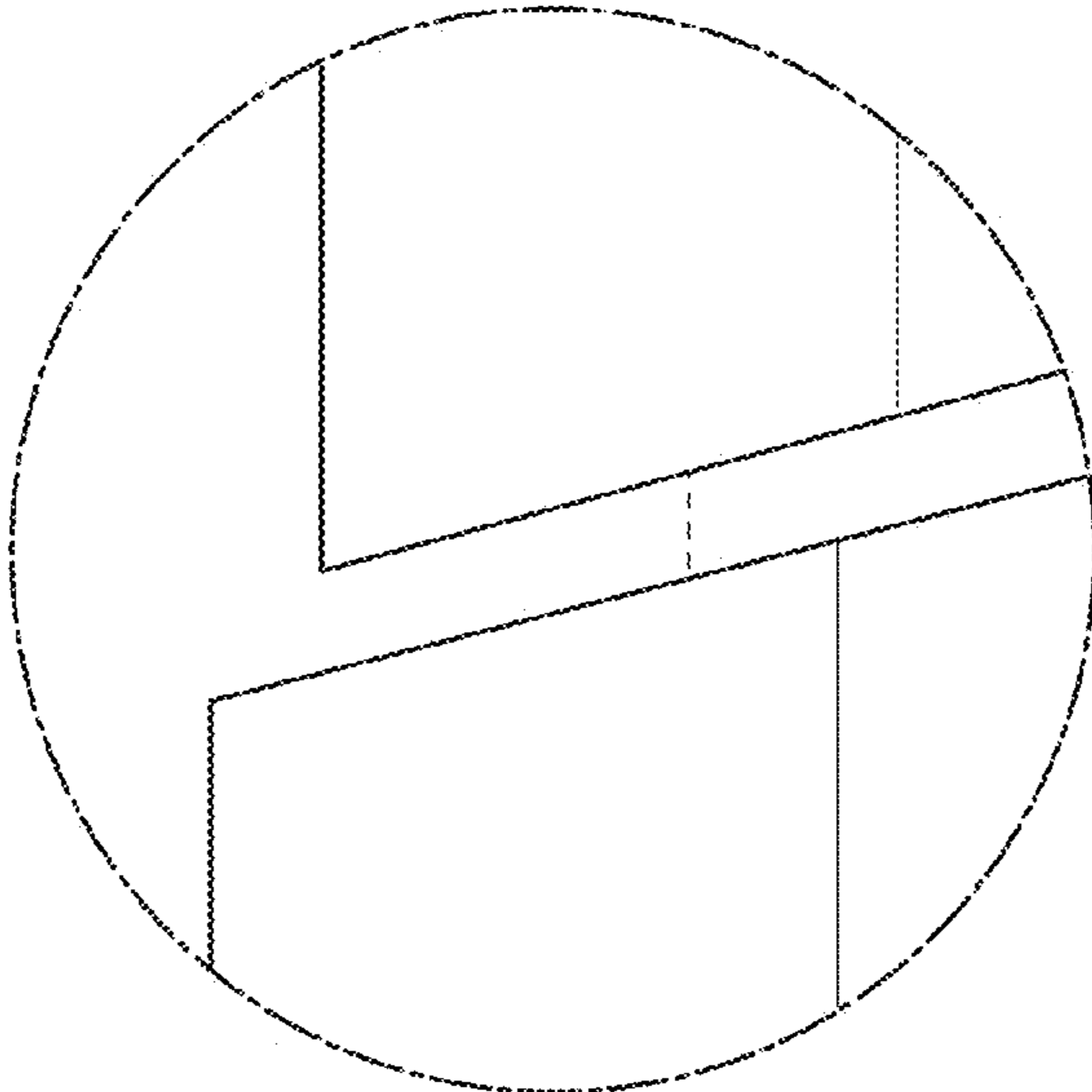


Fig. 8

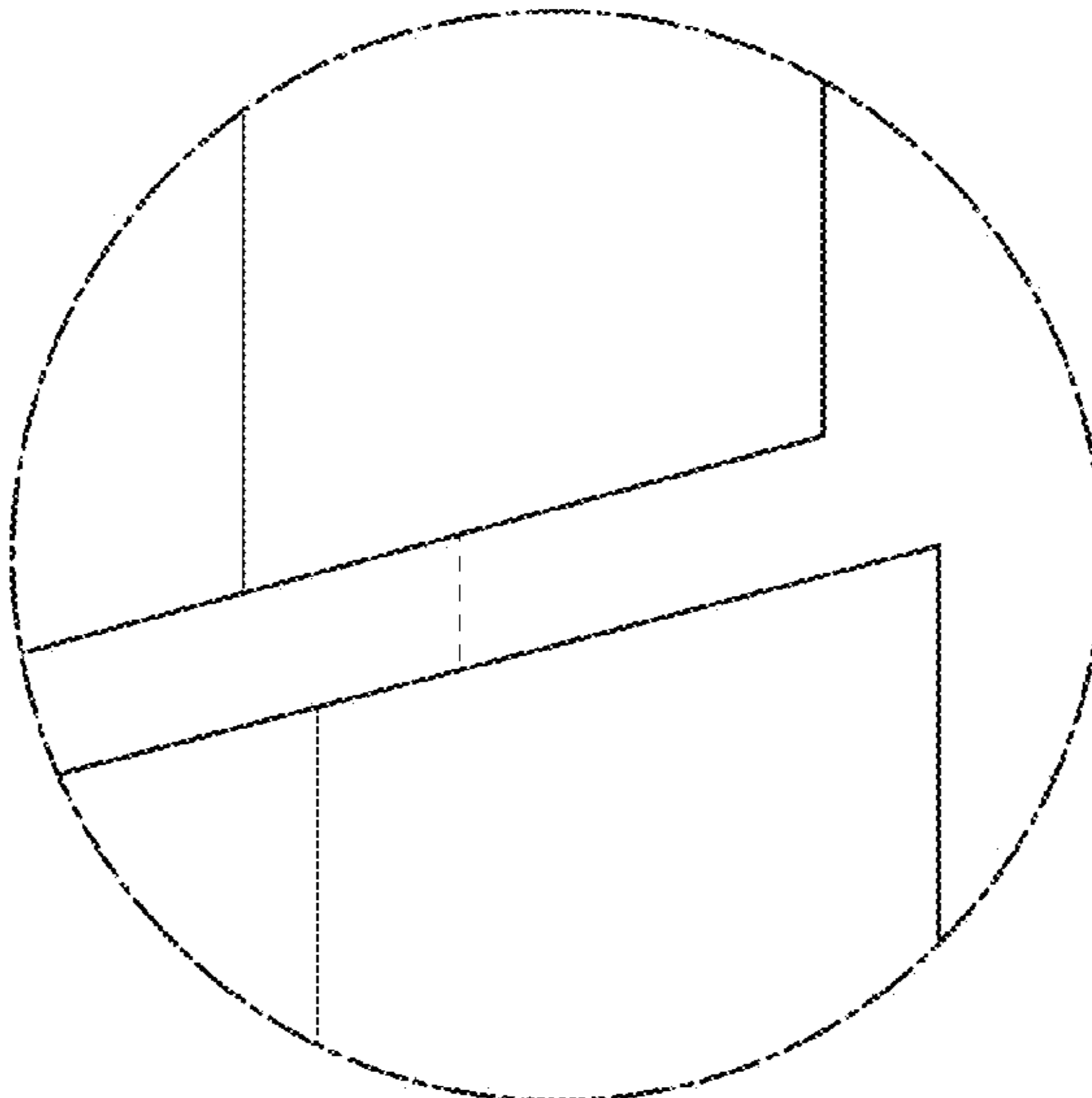


Fig. 9