



US00D760082S

(12) **United States Design Patent**  
**Baissero et al.**

(10) **Patent No.:** **US D760,082 S**  
(45) **Date of Patent:** **\*\* Jun. 28, 2016**

(54) **CLOSURE**

(71) Applicant: **AptarGroup, Inc.**, Crystal Lake, IL  
(US)  
(72) Inventors: **David Baissero**, Buenos Aires (AR);  
**Marcelo Santarelli**, Buenos Aires (AR);  
**Hernán Torres**, Buenos Aires (AR)  
(73) Assignee: **AptarGroup, Inc.**, Crystal Lake, IL  
(US)  
(\*\*) Term: **14 Years**

(21) Appl. No.: **29/499,164**

(22) Filed: **Aug. 12, 2014**

(51) **LOC (10) Cl.** ..... **09-07**

(52) **U.S. Cl.**  
USPC ..... **D9/449**

(58) **Field of Classification Search**  
USPC ..... D7/300, 300.1, 300.2, 303, 313, 317,  
D7/602, 387, 509, 510, 511, 538; D9/434,  
D9/435, 436, 439, 440, 441, 442, 443, 444,  
D9/445, 446, 447, 448, 449, 450, 451, 452,  
D9/453, 454, 499; D3/203.2, 202  
CPC ..... B65D 41/26; B65D 41/32; B65D 59/06;  
B65D 47/0814; B65D 47/2031; B65D 51/249;  
B65D 2251/1066; B65D 41/02; B65D 23/00;  
B65D 39/08; B67D 3/0032; B65F 1/14;  
A47G 19/26; A47G 19/2266

See application file for complete search history.

(56) **References Cited**

U.S. PATENT DOCUMENTS

D444,387 S *	7/2001	Adachi	.....	D9/520
D486,400 S *	2/2004	Bakic	.....	D9/530
D527,641 S *	9/2006	Bakic	.....	D9/529
D534,426 S *	1/2007	Bakic	.....	D9/435
D538,162 S *	3/2007	Smith	.....	D9/435
D579,328 S *	10/2008	Ribadeneira Mejia	.....	D9/442
D602,354 S *	10/2009	Dibnah	.....	D9/435
D605,510 S *	12/2009	Weber	.....	D9/449
D608,196 S *	1/2010	Beilke	.....	D9/449
D625,189 S *	10/2010	Dias	.....	D9/449
D666,095 S *	8/2012	Blachford	.....	D9/449
D722,500 S *	2/2015	Stolle	.....	D9/449
2005/0173366 A1 *	8/2005	Baudin	.....	B65D 47/0814 215/235

\* cited by examiner

*Primary Examiner* — Robert M Spear

*Assistant Examiner* — Marissa J Cash

(74) *Attorney, Agent, or Firm* — Wood, Phillips, Katz, Clark & Mortimer

(57) **CLAIM**

The ornamental design for a closure, as shown and described.

**DESCRIPTION**

FIG. 1 is an isometric view taken from the top, front, and right side view of a closure.

FIG. 2 is another isometric view thereof rotated from the view shown in FIG. 1;

FIG. 3 is a top plan view thereof;

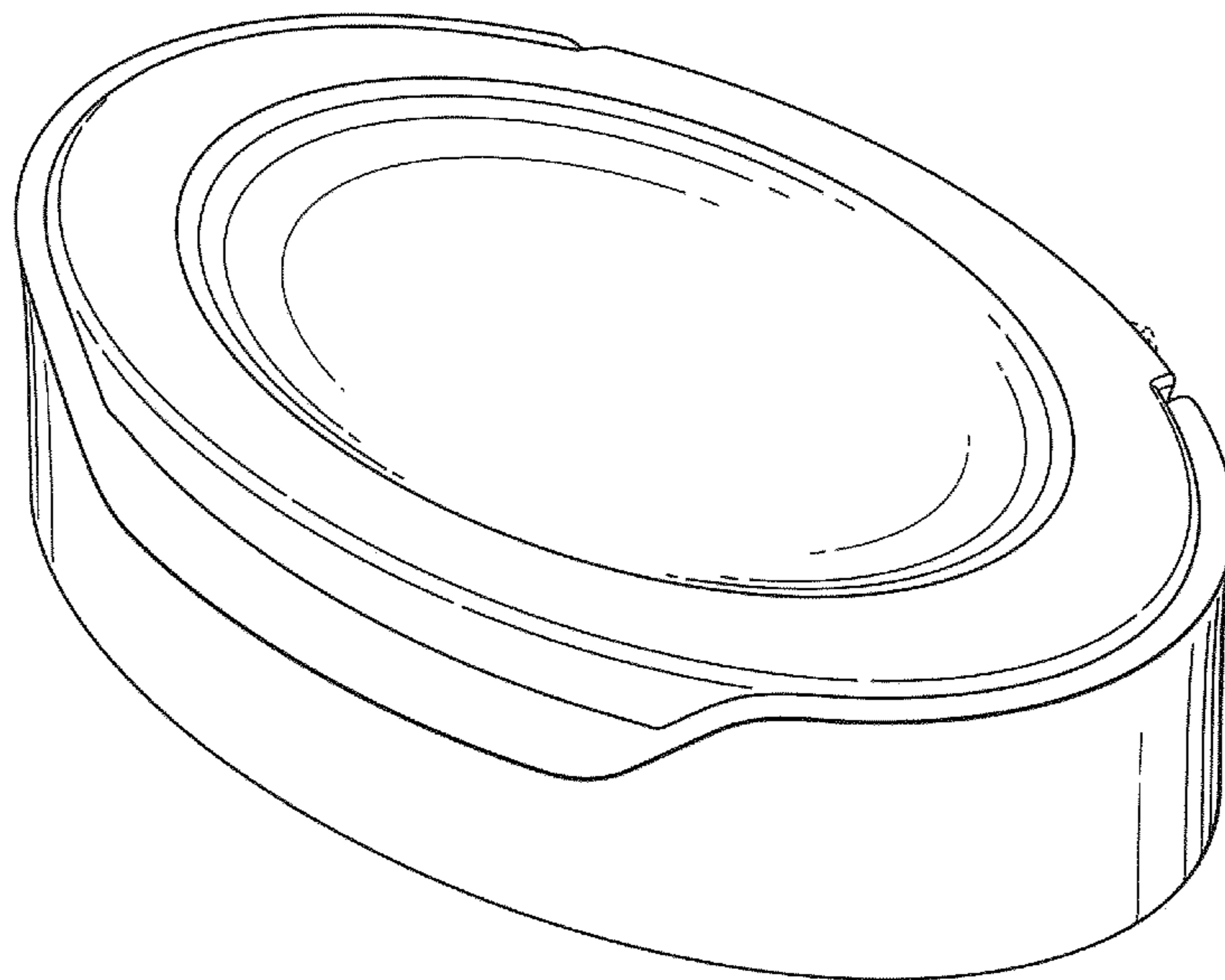
FIG. 4 is a front elevational view thereof;

FIG. 5 is a rear elevational view thereof; and,

FIG. 6 is a left side elevational view thereof, the right side elevational view thereof being a mirror image.

In the drawings, the broken lines depict environmental subject matter only and form no part of the claimed design.

**1 Claim, 4 Drawing Sheets**



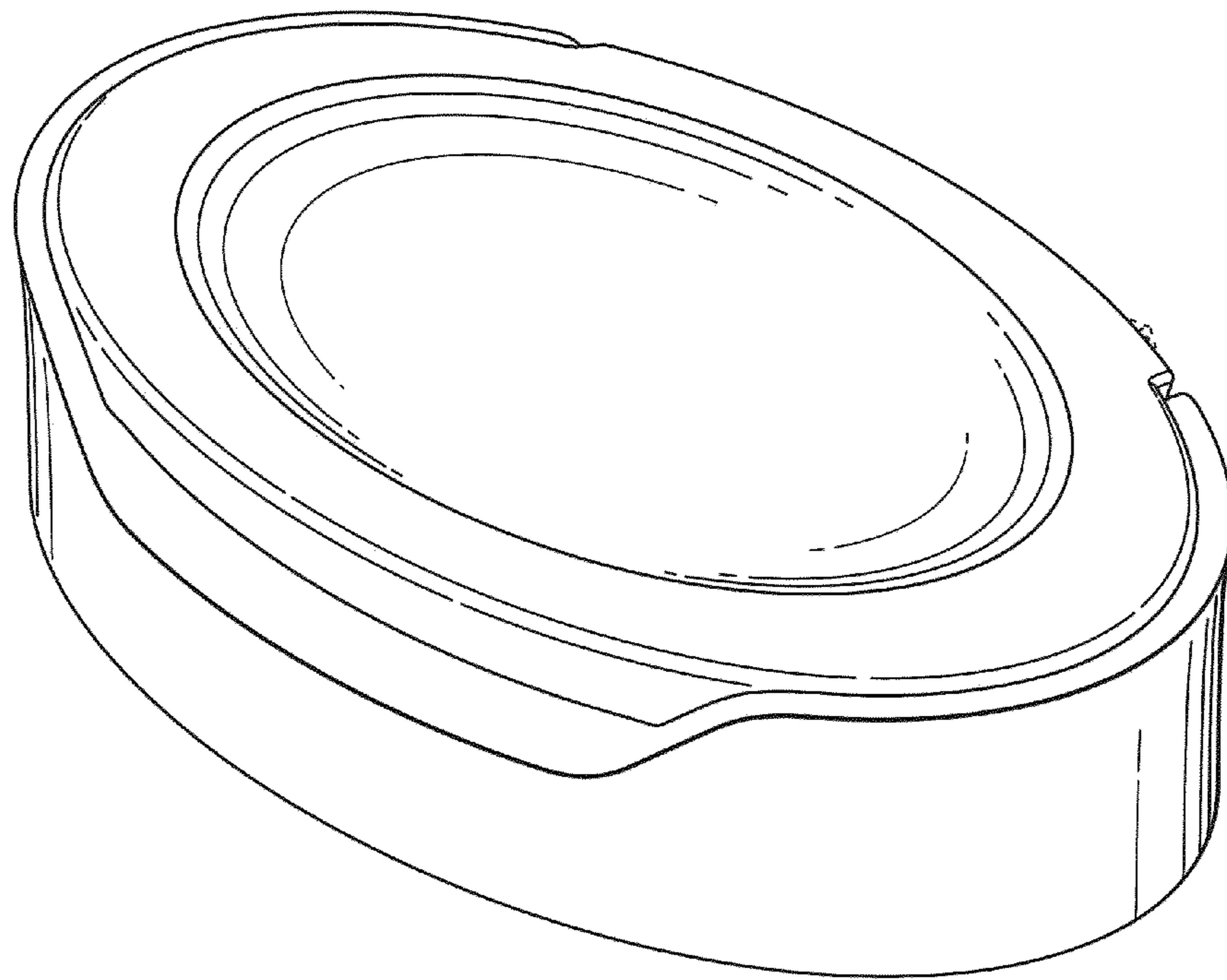


FIG. 1

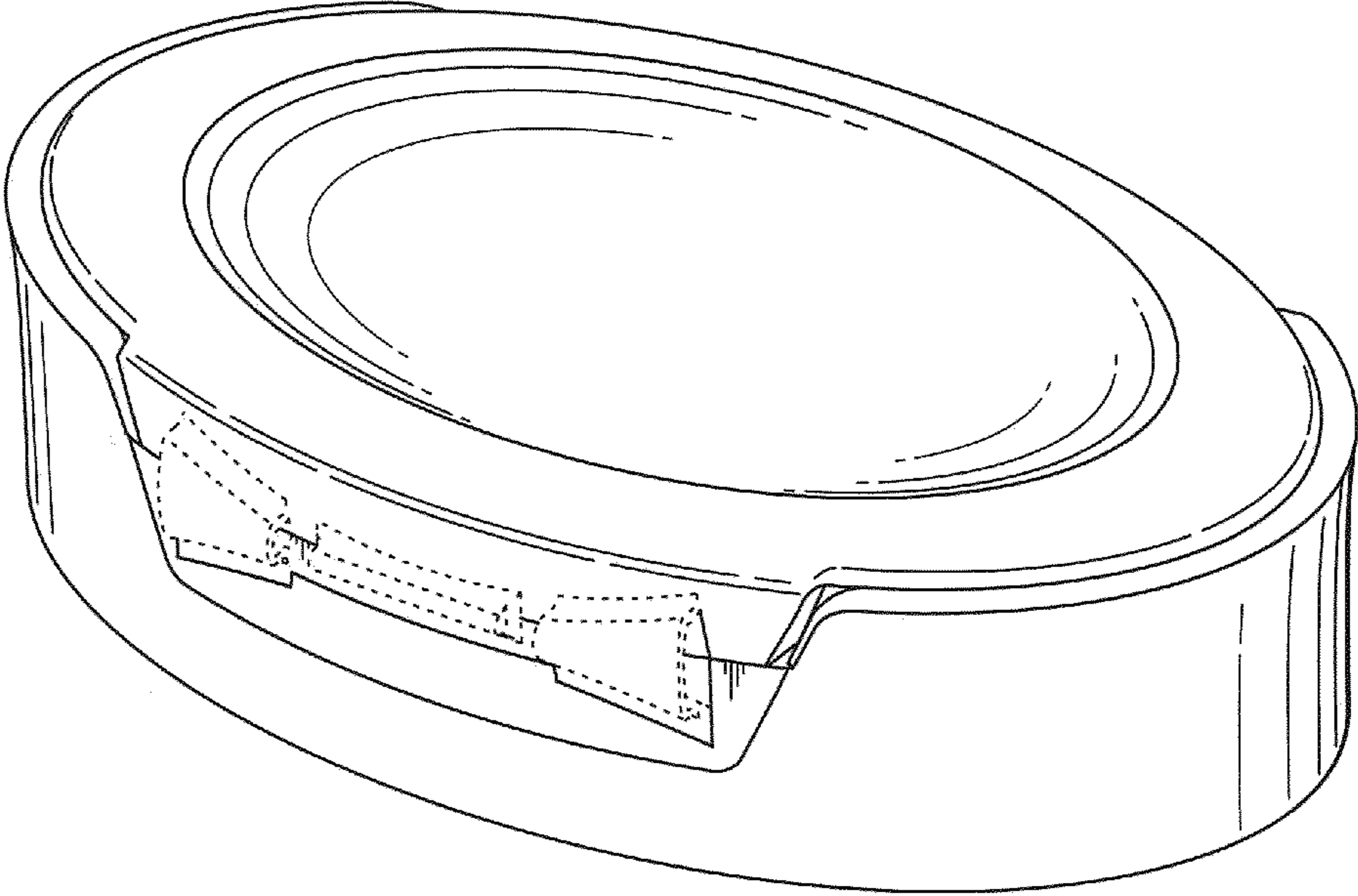


FIG. 2

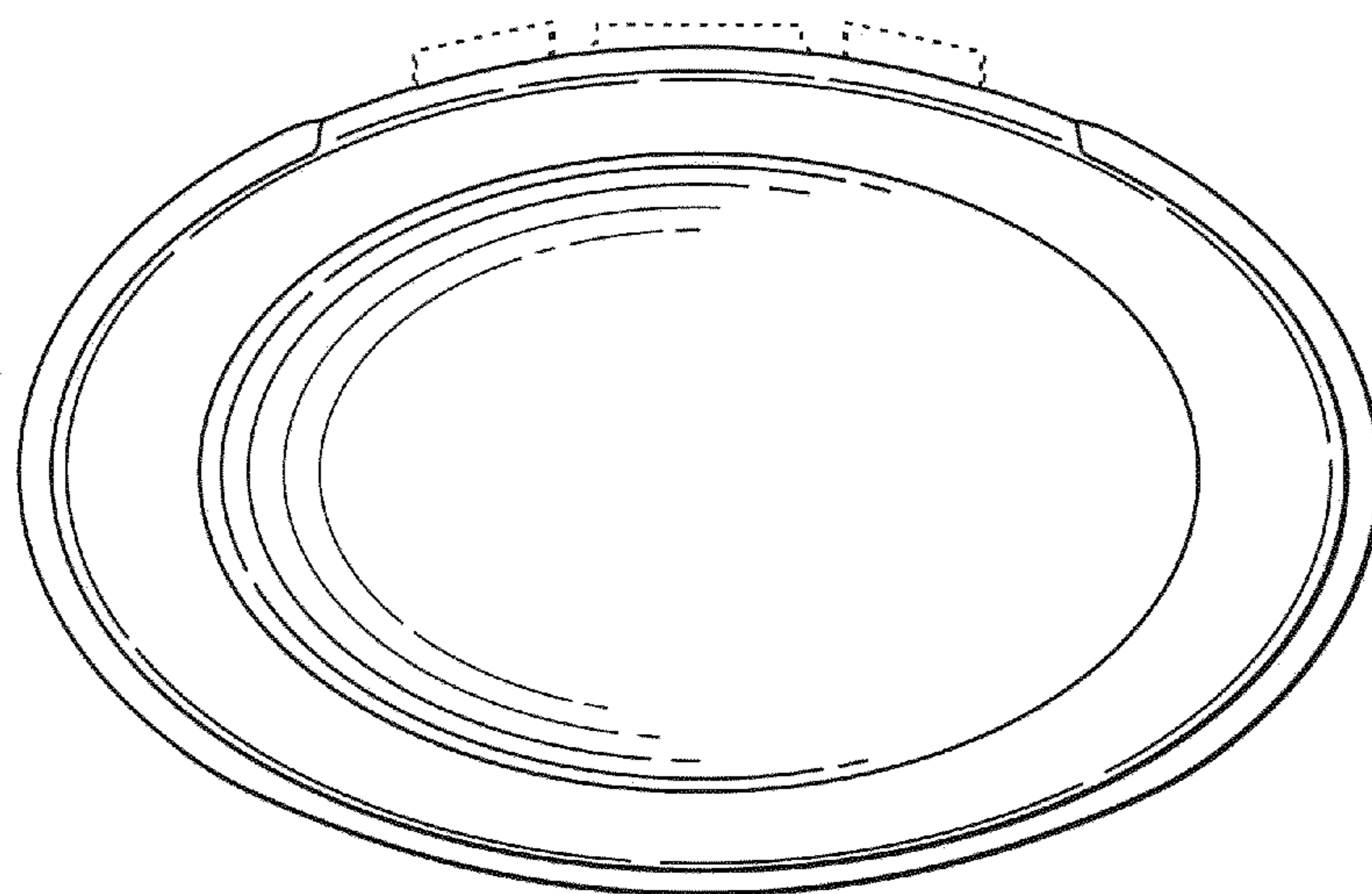


FIG. 3

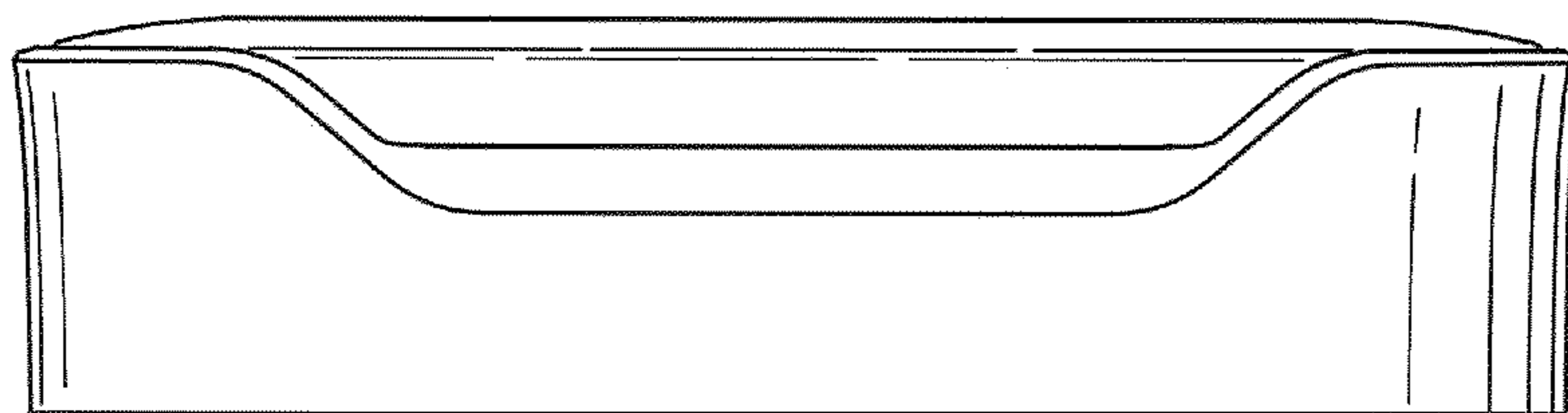


FIG. 4

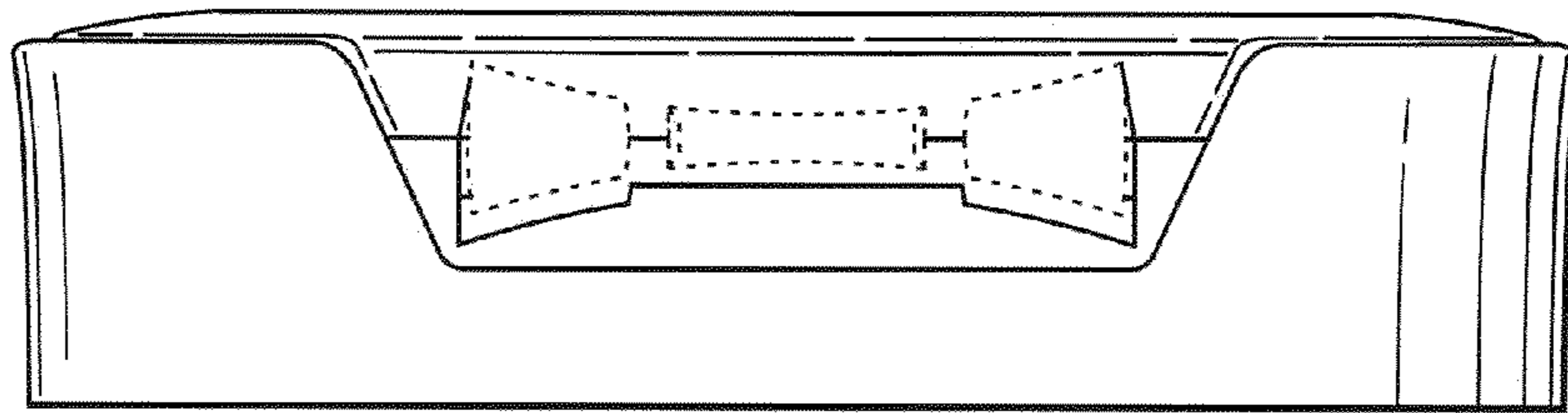


FIG. 5

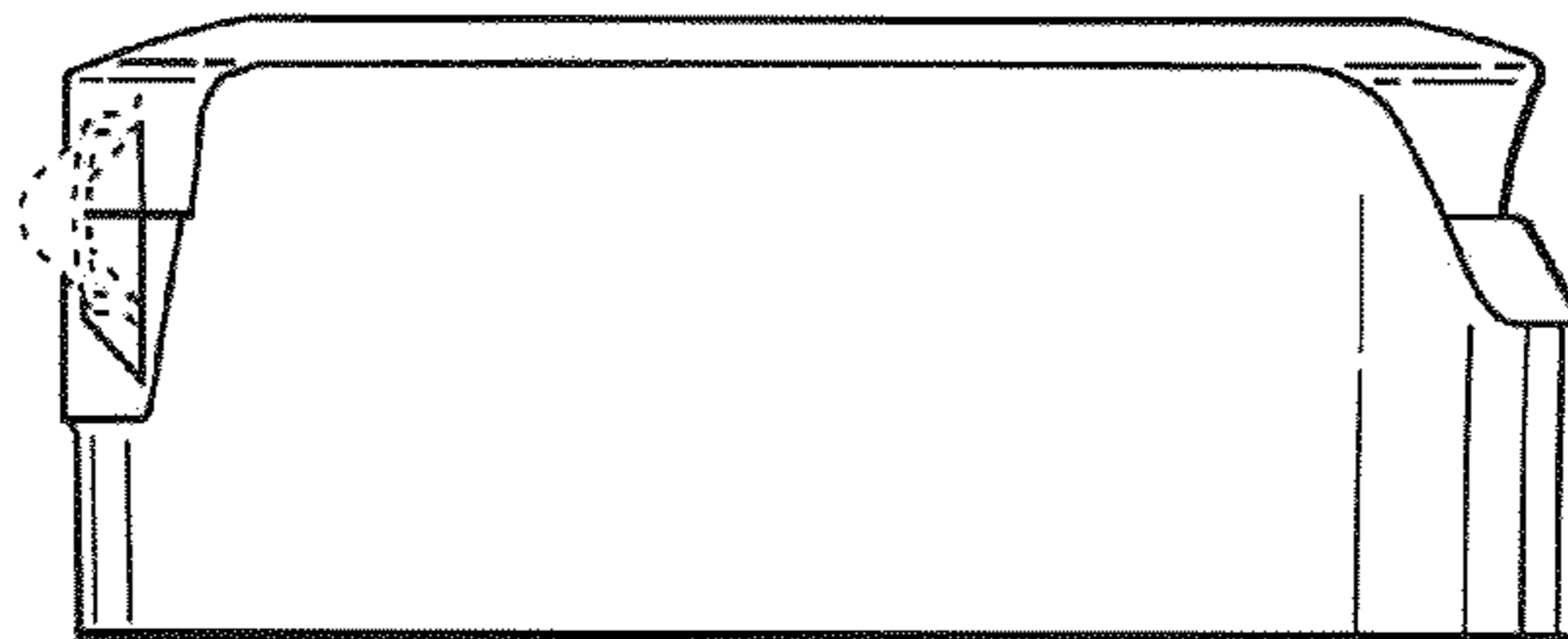


FIG. 6