

US00D760080S

(12) **United States Design Patent**
Gorbold

(10) **Patent No.:** **US D760,080 S**

(45) **Date of Patent:** **** Jun. 28, 2016**

- (54) **SPORTS BOTTLE CAP**
- (71) Applicant: **Steel Technology, LLC**, Bend, OR (US)
- (72) Inventor: **Timothy Dryden Gorbold**, Bend, OR (US)
- (73) Assignee: **Steel Technology, LLC**, Bend, OR (US)
- (**) Term: **14 Years**
- (21) Appl. No.: **29/498,619**
- (22) Filed: **Aug. 5, 2014**
- (51) **LOC (10) Cl.** **09-07**
- (52) **U.S. Cl.**
USPC **D9/443**
- (58) **Field of Classification Search**
USPC D9/434-436, 438, 443-450, 452-454, D9/499; D7/387, 392, 393, 396.2, 510, D7/511; D3/202, 294, 318; 215/28, 41, 215/201, 216, 224, 230, 235, 237, 243, 249, 215/256, 306, 316, 317, 396; 220/252, 220/254.1, 254.2-254.4, 258.2, 263, 367.1, 220/375, 711, 724, 730, 731, 837, 847; 222/109, 153.1, 153.11, 153.14, 464.1, 222/498, 546, 547, 562, 565, 566, 570, 621
CPC A61J 1/1412; B65D 1/02; B65D 1/323; B65D 25/40; B65D 41/56; B65D 41/62; B65D 47/06; B65D 47/08
See application file for complete search history.

- D654,793 S * 2/2012 Rosbach D9/436
- D660,487 S 5/2012 Wu
- D669,354 S 10/2012 Davis et al.
- D669,732 S * 10/2012 Hopkins D7/392.1
- D672,238 S * 12/2012 Aziz D7/510
- D679,541 S 4/2013 Samartgis
- D680,805 S 4/2013 Rosbach
- D683,581 S * 6/2013 Archer D7/392.1

(Continued)

OTHER PUBLICATIONS

“CamelBak eddy Insulated .6L Black”. Found online Aug. 26, 2015 at amazon.com. Page dated Apr. 11, 2012. Retrieved from http://www.amazon.com/CamelBak-eddy-Insulated-6L-Black/dp/B006ZT9E1Q/ref=cm_cr_pr_product_top?ie=UTF8.

“Groova Stainless .6L Water Bottle”. Found online Aug. 26, 2015 at shop.camelbak.com. Page dated Nov. 21, 2011. Retrieved from <http://shop.camelbak.com/groove-stainless-6l/d/1206>.

(Continued)

Primary Examiner — Karen S Acker
Assistant Examiner — Wendy Arminio
 (74) *Attorney, Agent, or Firm* — Kolisch Hartwell, P.C.

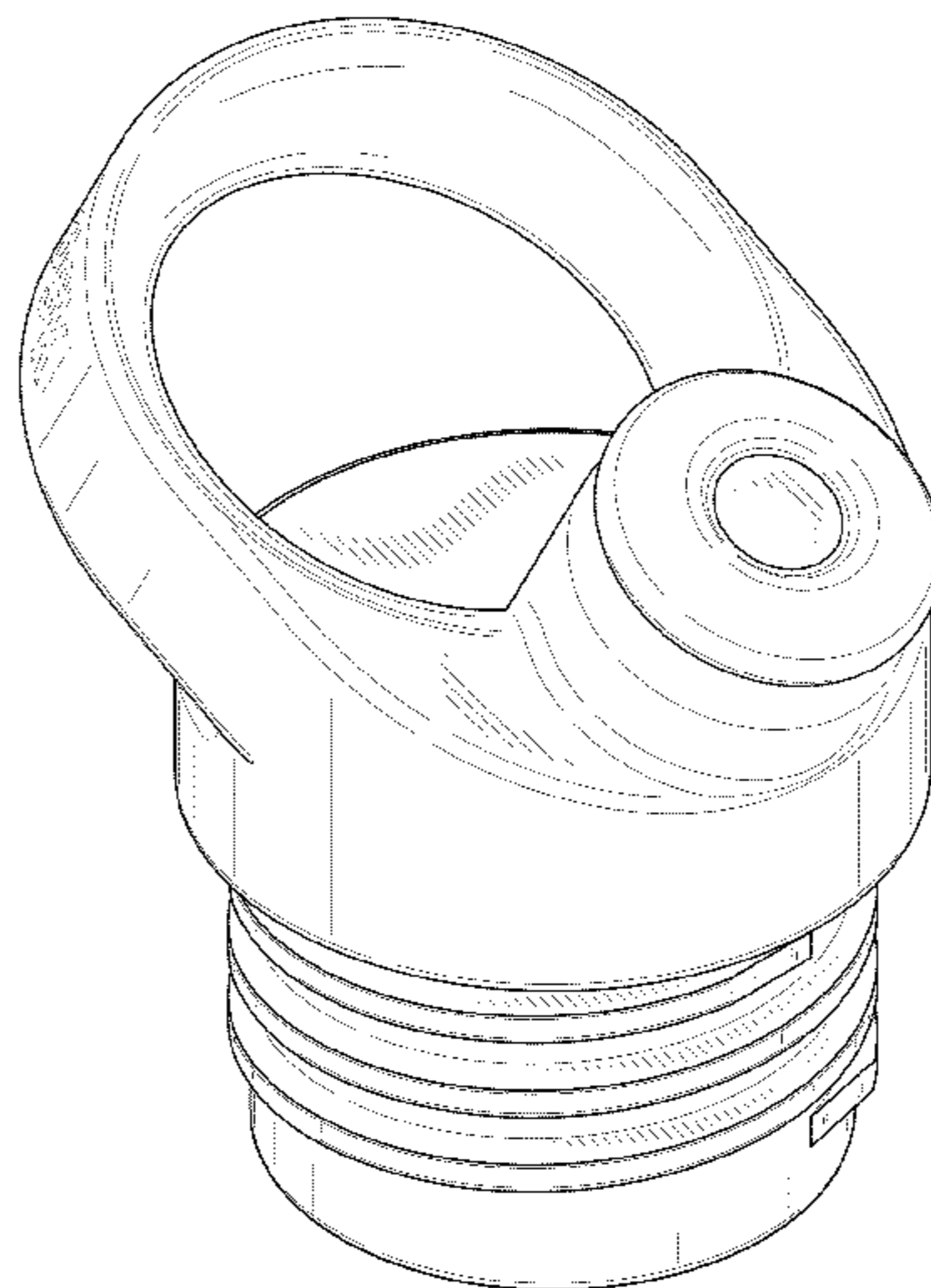
(57) **CLAIM**
 What is claimed is the ornamental design for a sports bottle cap, as shown and described.

DESCRIPTION

FIG. 1 is an upper, front, and right side perspective view of a sports bottle cap showing our new design;
 FIG. 2 is a lower, rear, and left side perspective view thereof;
 FIG. 3 is a right side view thereof;
 FIG. 4 is a front view thereof;
 FIG. 5 is a left side view thereof;
 FIG. 6 is a rear view thereof;
 FIG. 7 is a top view thereof; and,
 FIG. 8 is a bottom view thereof.
 The broken lines shown in the drawings depict portions of the sports bottle cap that form no part of the claimed design.

1 Claim, 8 Drawing Sheets

- (56) **References Cited**
U.S. PATENT DOCUMENTS
 D497,283 S 10/2004 Groombridge
 D586,184 S * 2/2009 Miller D7/511
 D613,110 S * 4/2010 Lane D7/392.1
 D614,440 S * 4/2010 Cresswell D7/392.1
 D626,837 S * 11/2010 Meyers D9/443
 D632,524 S 2/2011 Rosbach et al.
 D633,338 S 3/2011 Rosbach et al.
 D652,256 S 1/2012 Eyal



(56)

References Cited

U.S. PATENT DOCUMENTS

D688,912 S	9/2013	Rosbach	
D693,170 S	11/2013	Rosbach	
D704,986 S	5/2014	Manies	
D715,146 S	10/2014	Holmes	
D719,444 S *	12/2014	Sullivan D9/443
D719,780 S *	12/2014	Sullivan D7/392.1
8,905,252 B2 *	12/2014	Latham B65D 51/18 215/228
D724,895 S	3/2015	Kawase et al.	
D729,569 S *	5/2015	Herbst D7/392
D736,562 S *	8/2015	Green D7/510
D736,622 S	8/2015	Nishijima et al.	
2008/0078200 A1	4/2008	Roth et al.	

OTHER PUBLICATIONS

“Klean Kanteen: The Eco-Friendly Personal Hydration Bottle”. Found online at earthtimes.org. Page dated Jun. 5, 2011. Retrieved from <http://www.earthtimes.org/green-blogs/green-living/klean-kanteen-the-eco-friendly-personal-hydration-bottle-05-Jun-11/>.

“New Wave Enviro Stainless Steel Water Bottle”. Found online Aug. 26, 2015 at amazon.com. Page dated Jan. 9, 2006. Retrieved from http://www.amazon.com/New-Wave-Enviro-Liter-Blue/dp/B001LNUE4W/ref=cm_cr_pr_product_top?e=UTF8.
Sep. 10, 2015, Office action from the U.S. Patent and Trademark Office in U.S. Appl. No. 29/513,509, which is another application of applicant Steel Technology, LLC.

Jan. 13, 2016, Office action from the Taiwanese Patent Office in Taiwan Patent Application No. 104303506, which is a foreign application of applicant Steel Technology, LLC.

* cited by examiner

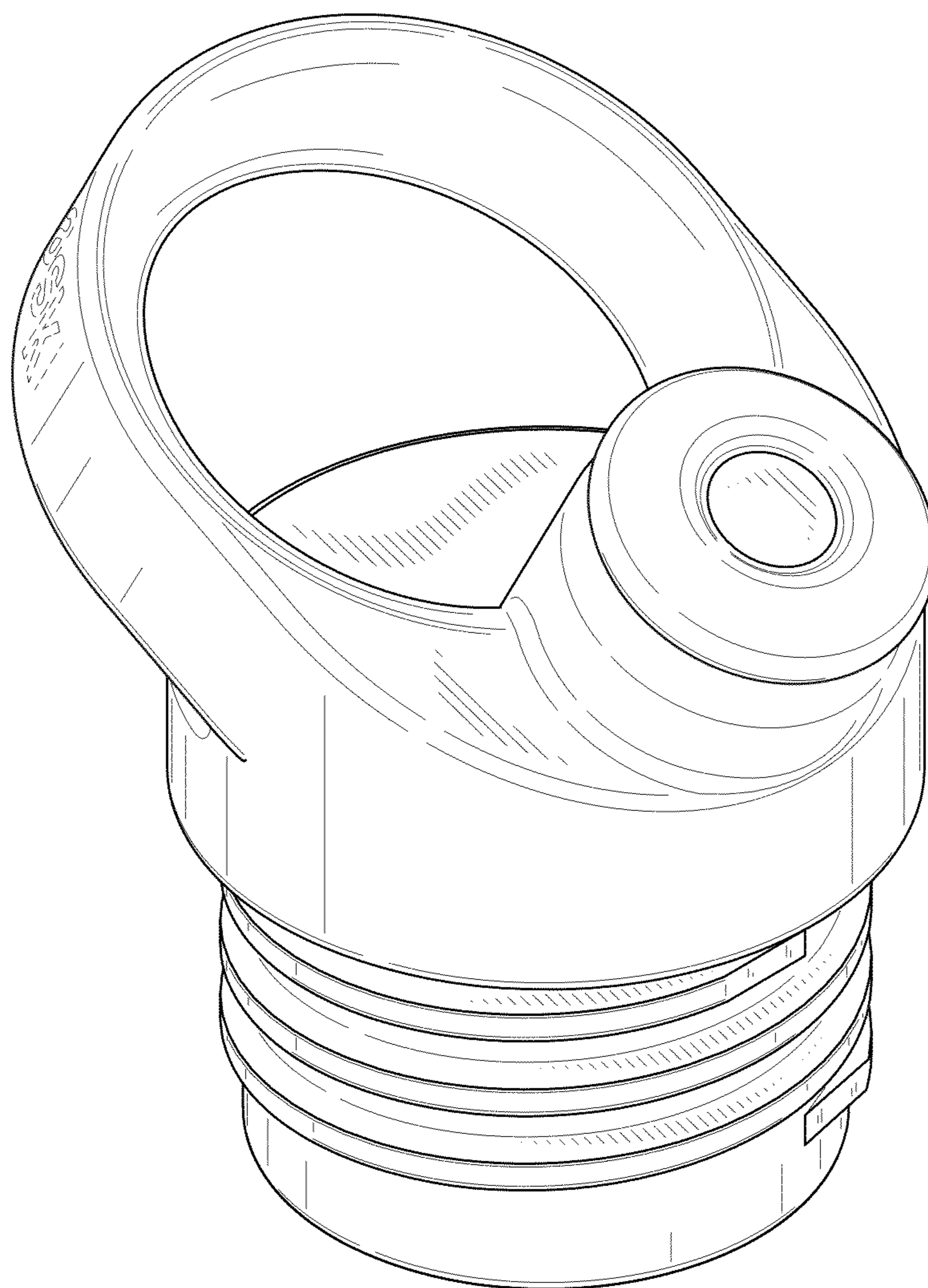


FIG. 1

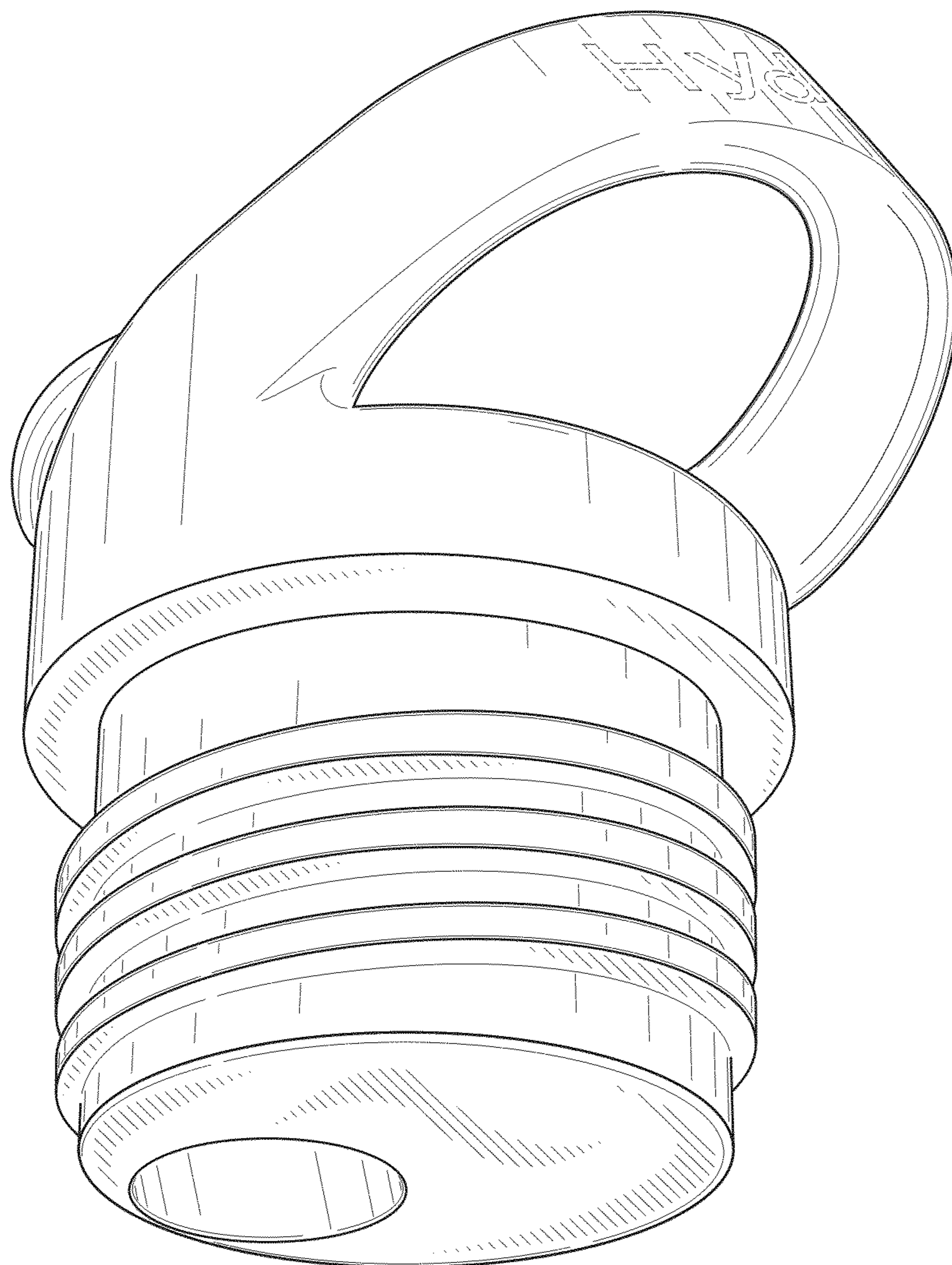


FIG. 2

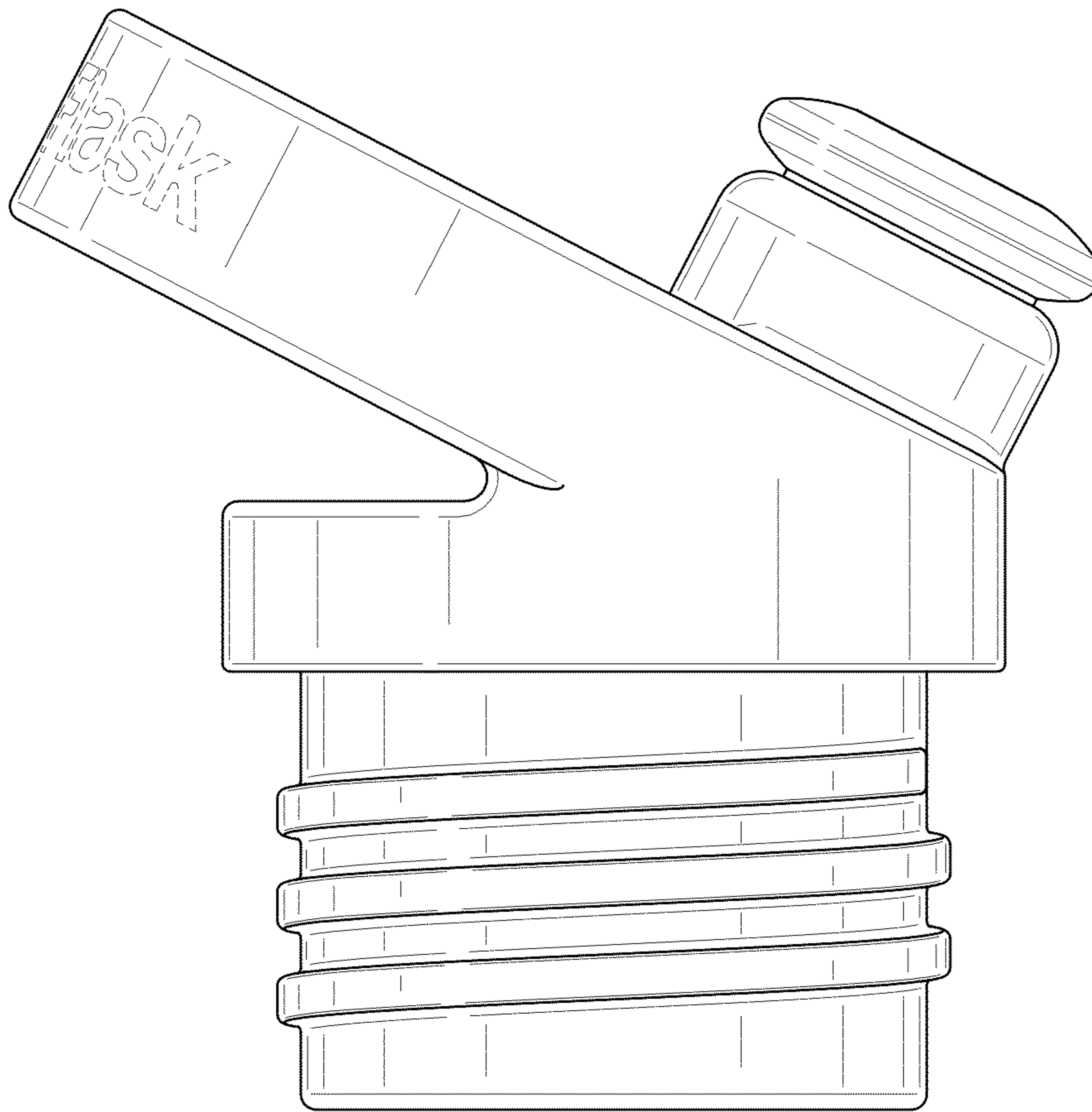


FIG. 3

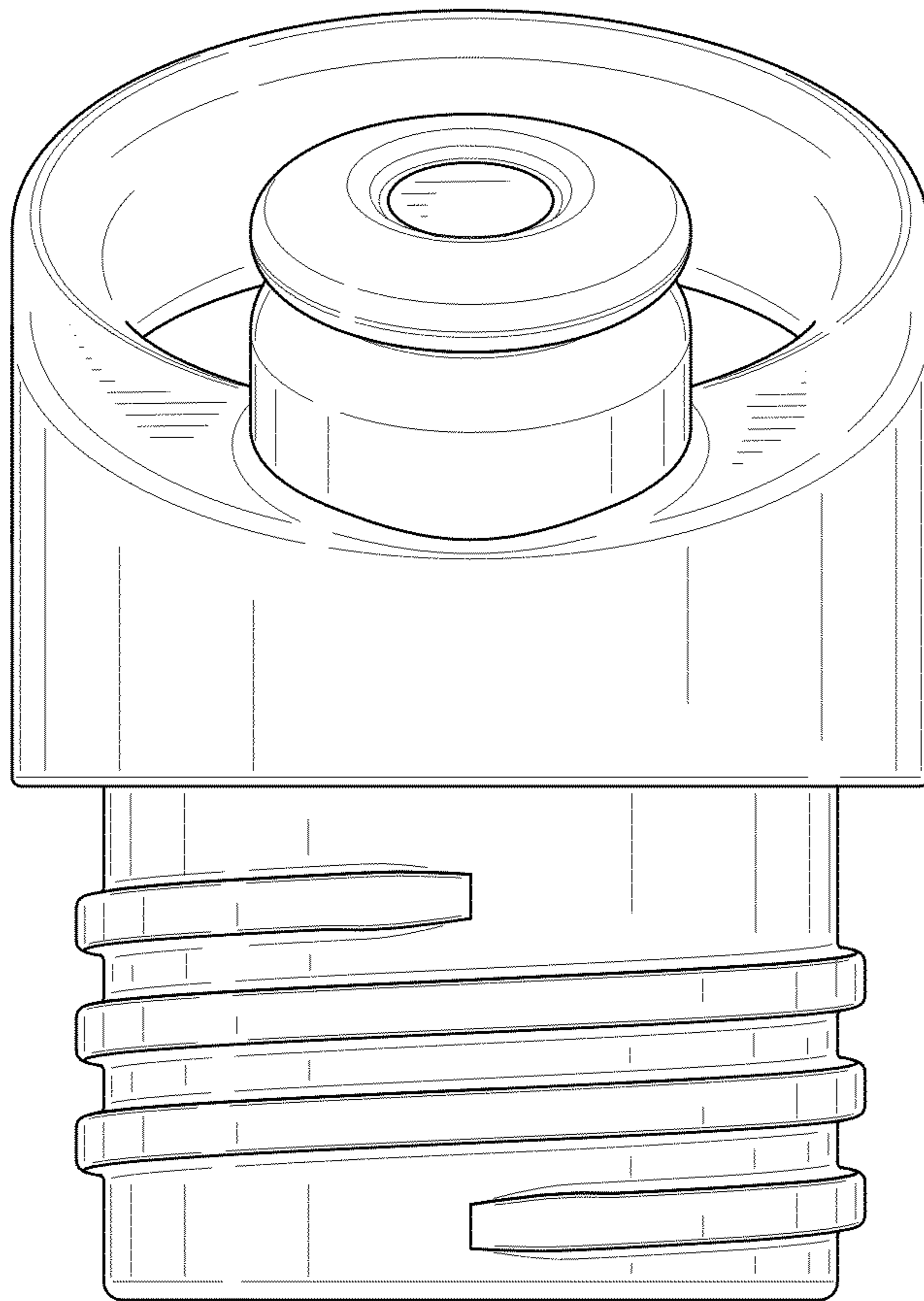


FIG. 4

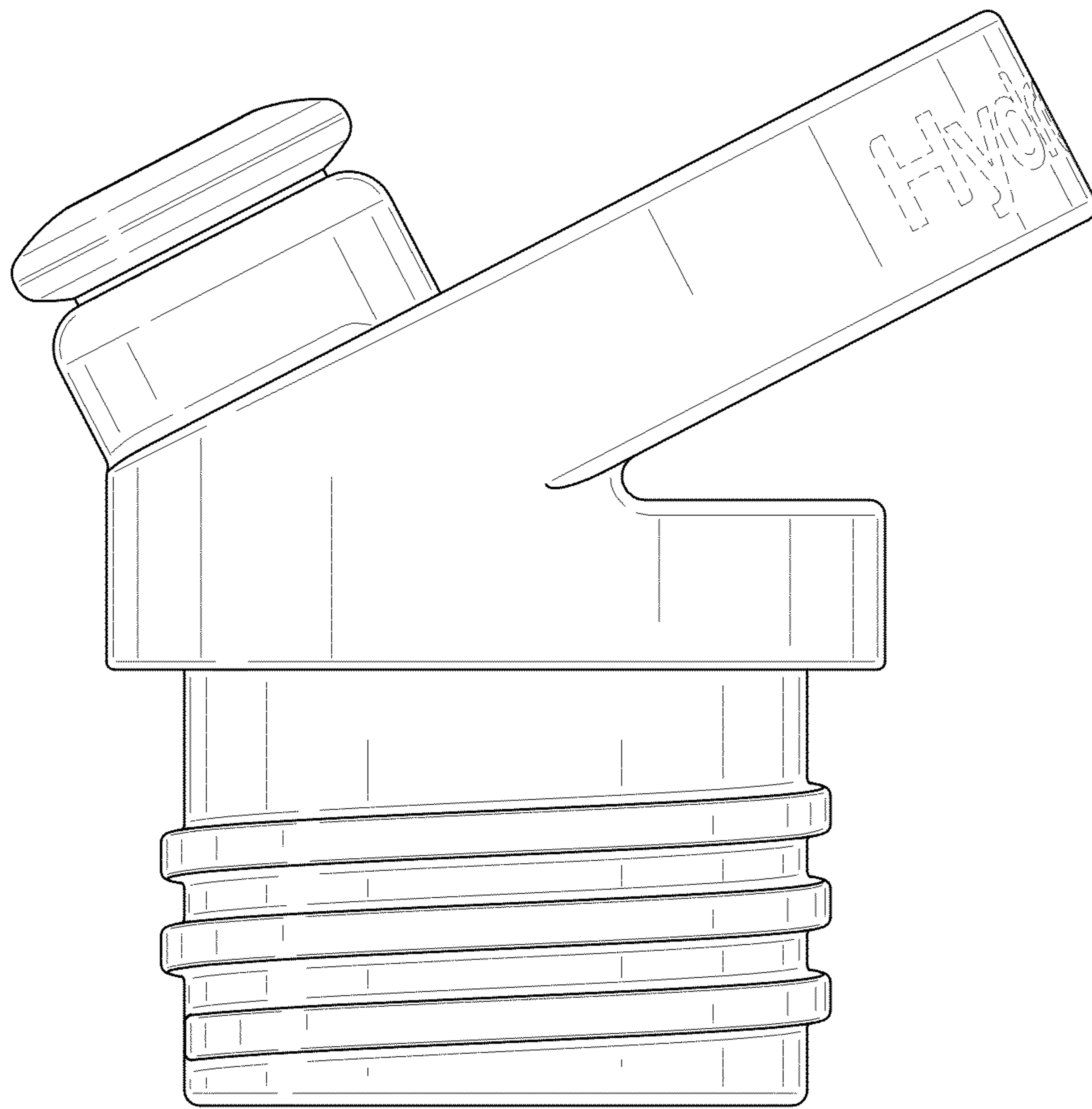


FIG. 5

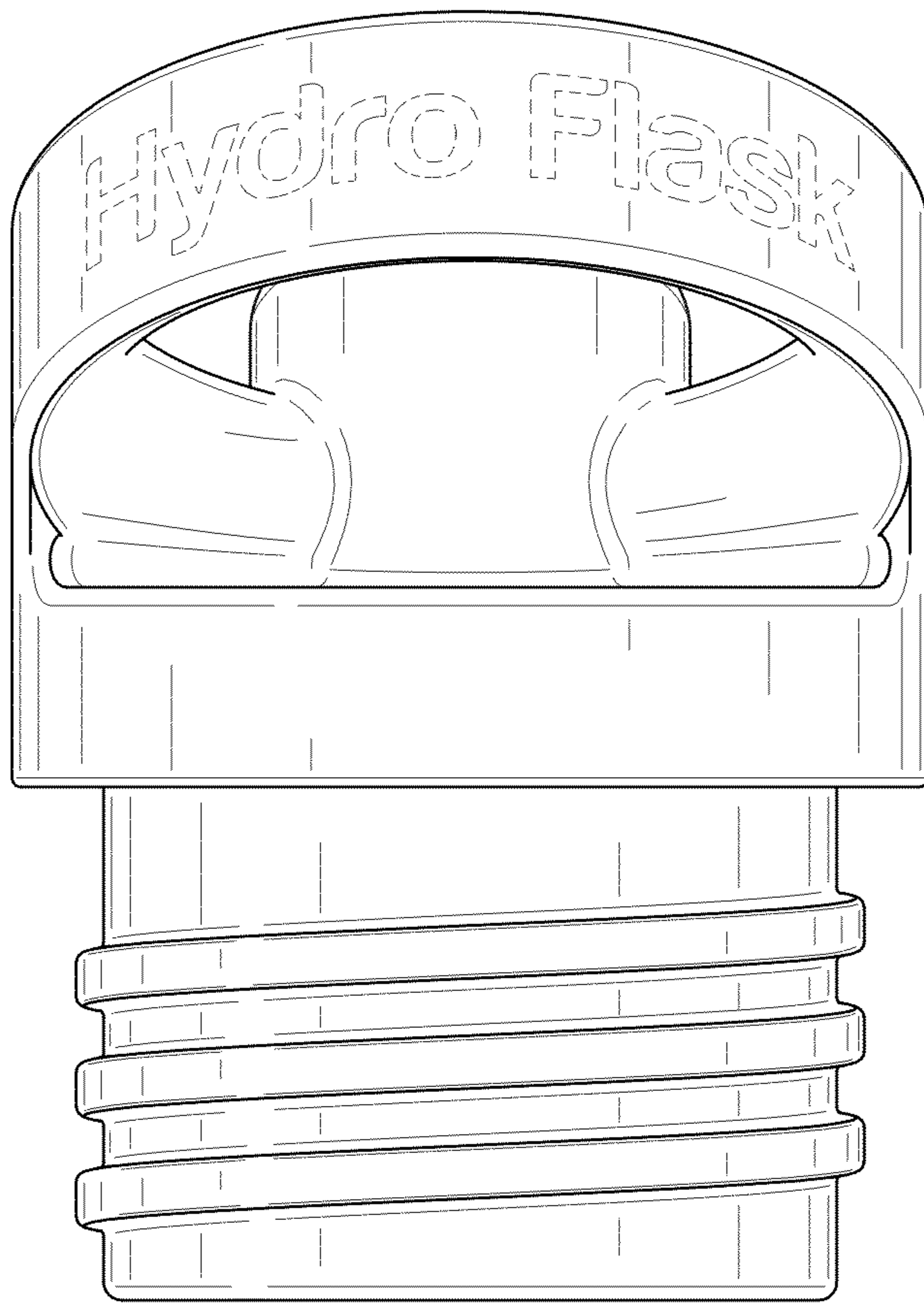


FIG. 6

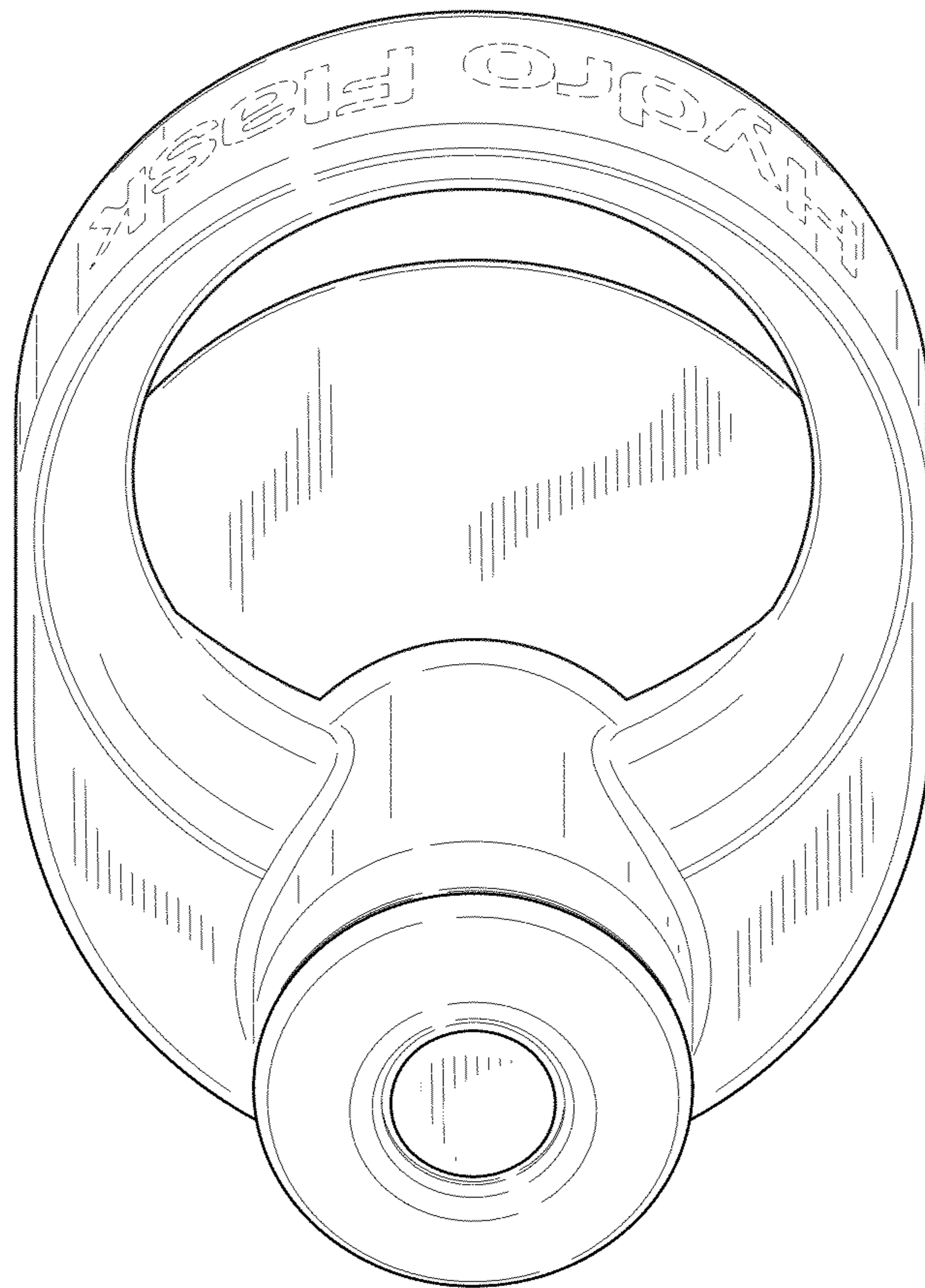


FIG. 7

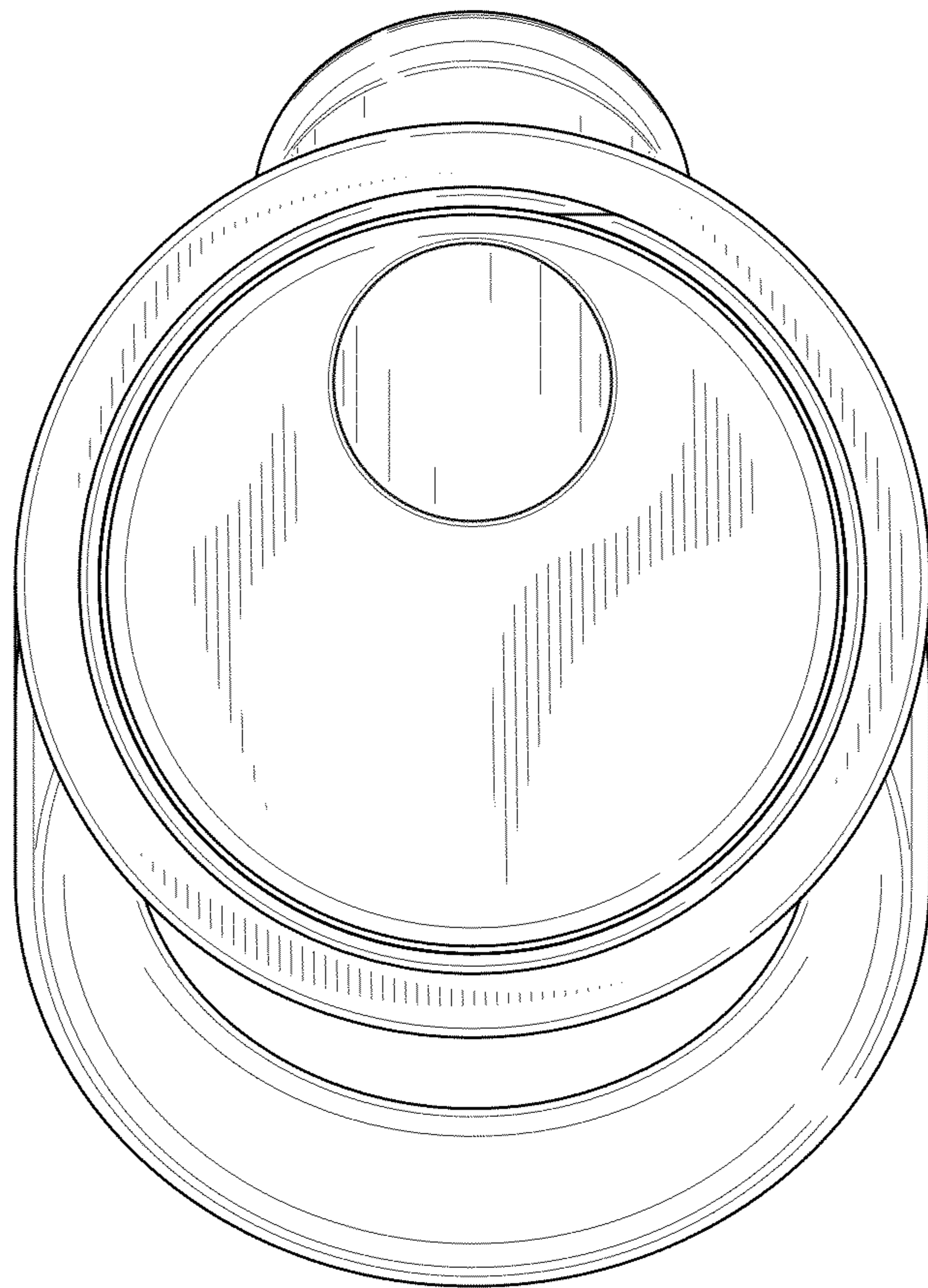


FIG. 8