

(56)

References Cited

U.S. PATENT DOCUMENTS

3,877,352	A *	4/1975	Brieske	B65D 33/10 383/28
5,088,667	A *	2/1992	Olson	B65F 1/1415 248/101
5,501,378	A *	3/1996	Kolton	A47G 25/743 223/85
5,692,837	A	12/1997	Beer	
6,047,883	A	4/2000	Calvert	
6,082,897	A	7/2000	Galomb	
D430,490	S *	9/2000	DuCorday	D9/443
6,116,424	A *	9/2000	Leu	B65D 33/001 206/554
6,168,312	B1	1/2001	Haussein	
6,296,388	B1	10/2001	Galomb	
6,957,914	B2 *	10/2005	Arends	B65D 33/06 383/204
7,040,582	B2 *	5/2006	Rosler	B65D 33/14 248/101
8,136,209	B1 *	3/2012	Willison	G09F 17/00 16/430

2004/0208399	A1	10/2004	Linneweil	
2005/0031228	A1	2/2005	Galomb	
2014/0003744	A1*	1/2014	Jonsson	B65D 33/1675 383/42

FOREIGN PATENT DOCUMENTS

DE	299 02 988	U1	6/1999
DE	10 2006 029 119	A1	7/2007
DE	102006005740	A1	8/2007
EP	1 048 580	A2	11/2000
EP	1 997 745	A1	12/2008
JP	6-127557	A	5/1994
WO	2004/092022	A2	10/2004
WO	2010/047645	A1	4/2010

OTHER PUBLICATIONS

PCT International-Type Search Report mailed Jul. 5, 2011, issued in corresponding Swedish Application No. 1150053-5, filed Jan. 26, 2011, 10 pages.
 International Search Report and Written Opinion mailed Feb. 3, 2012, issued in corresponding International Application No. PCT/EP2011/069749, filed Nov. 9, 2011, 11 pages.

* cited by examiner

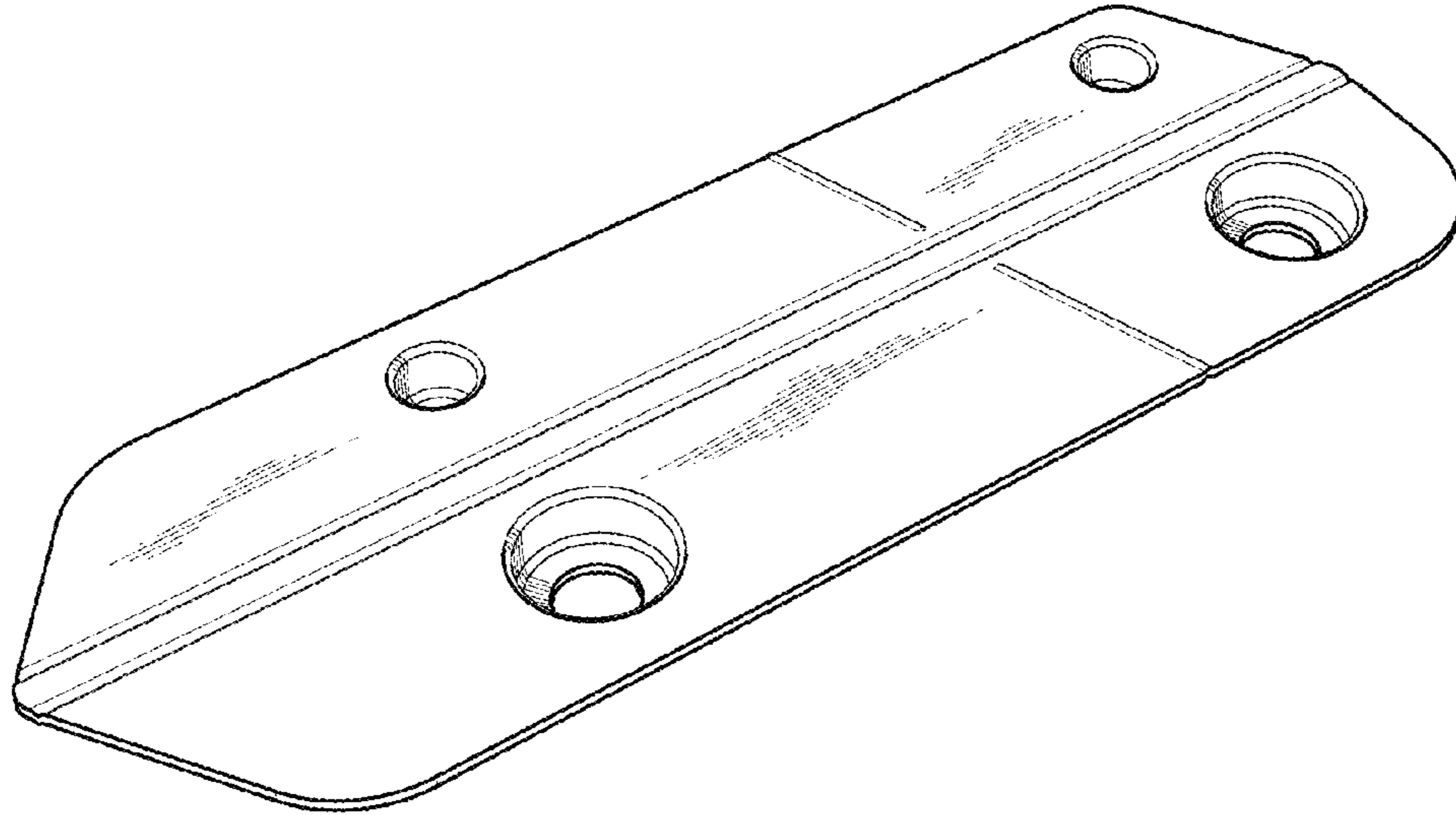


FIG. 1

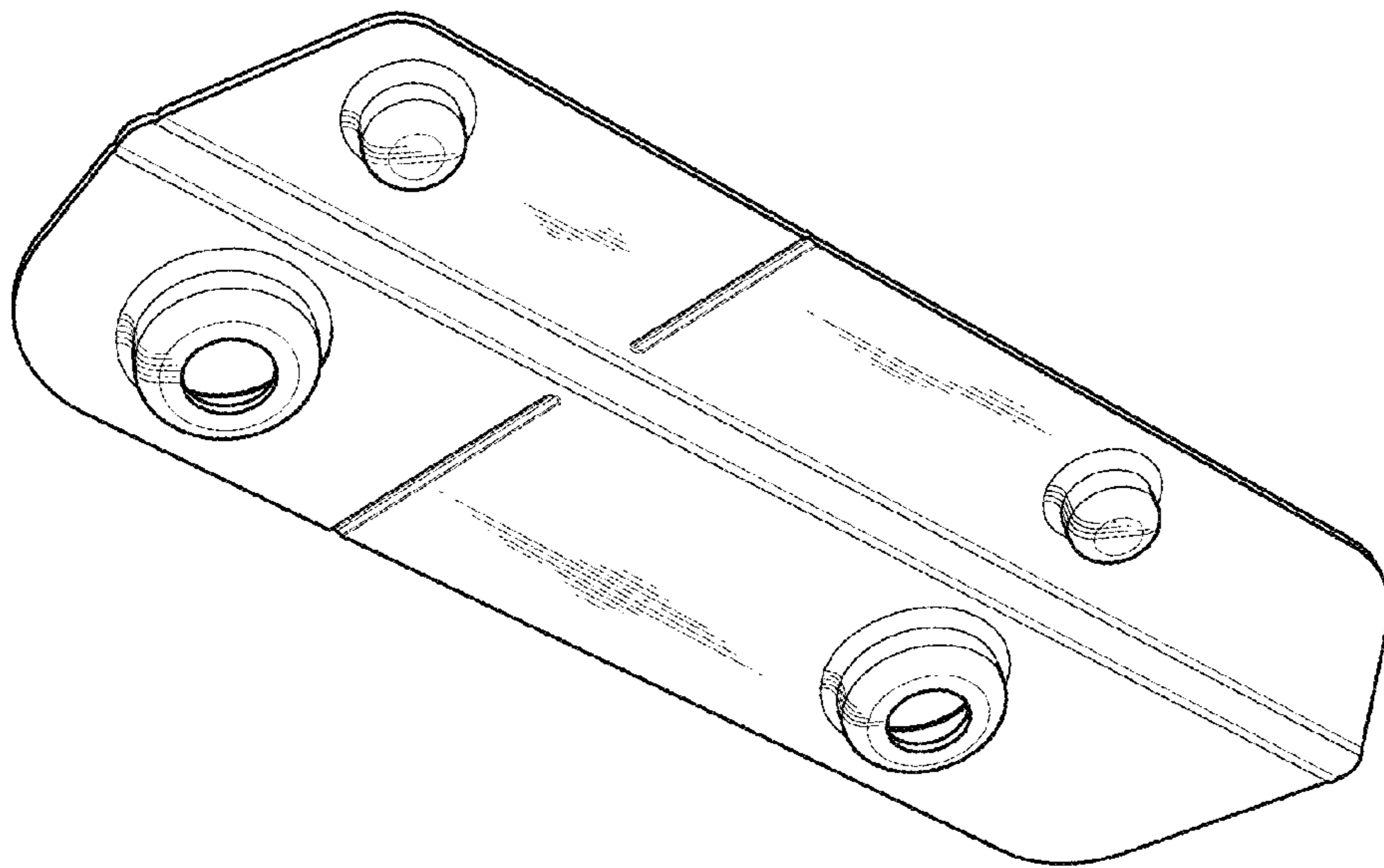


FIG. 2

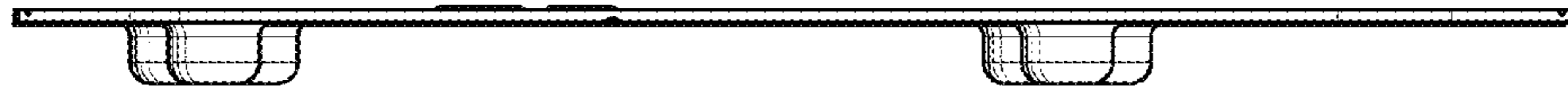


FIG. 3

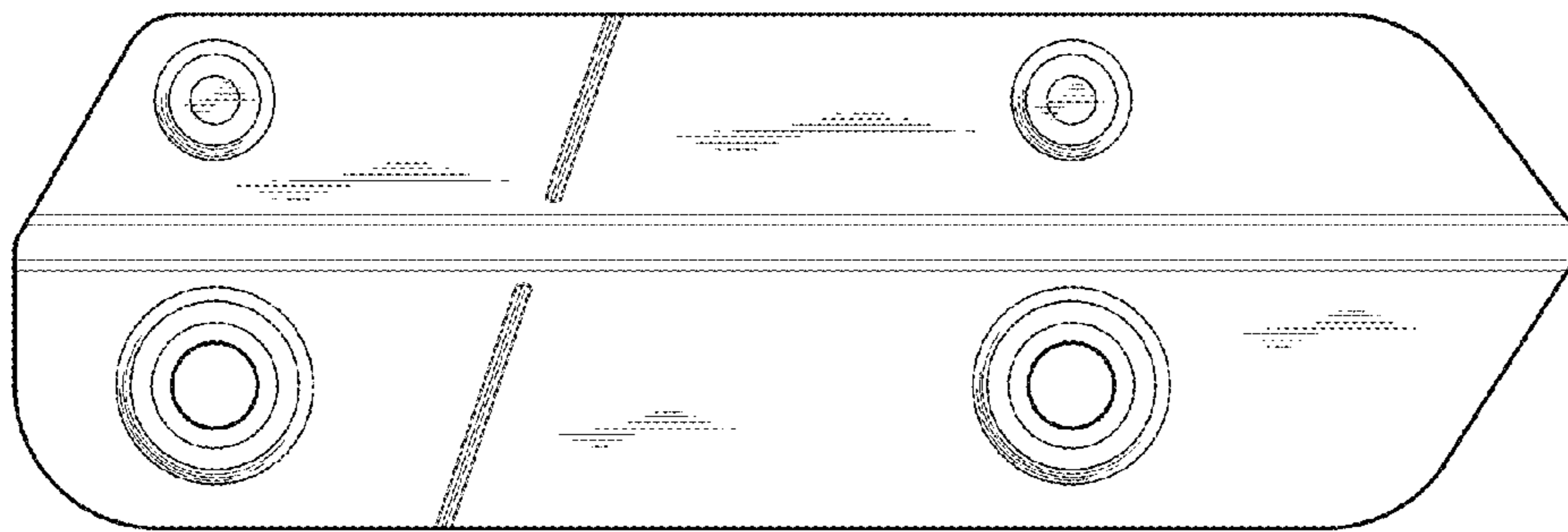


FIG. 4

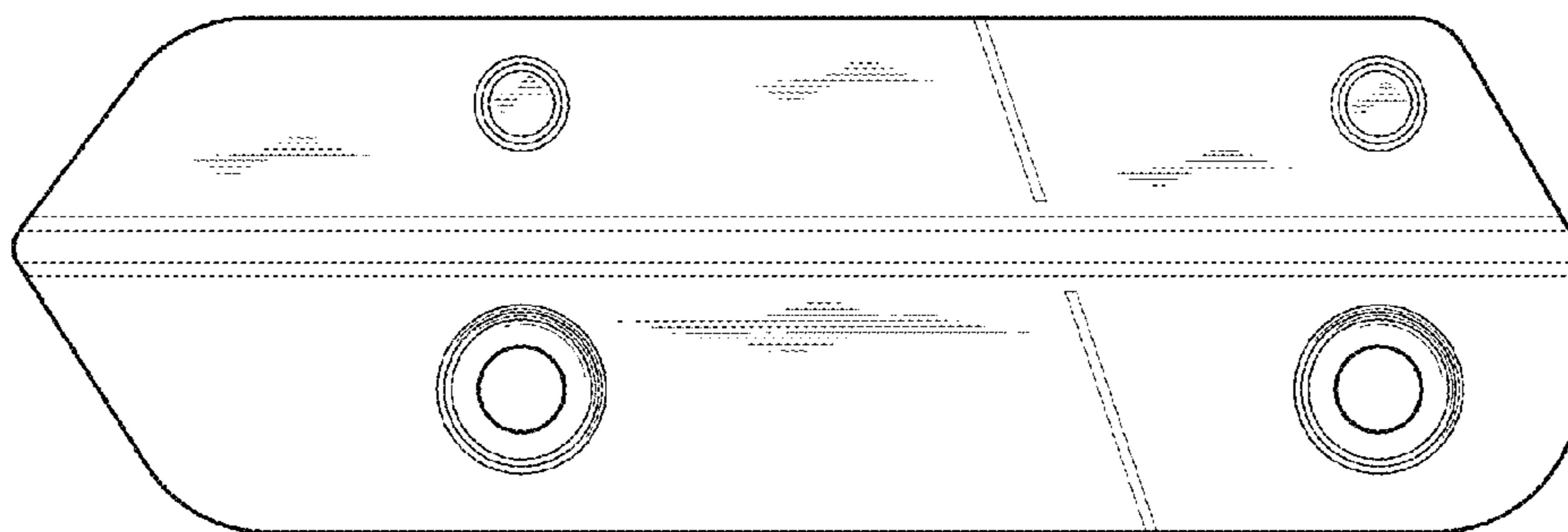


FIG. 5

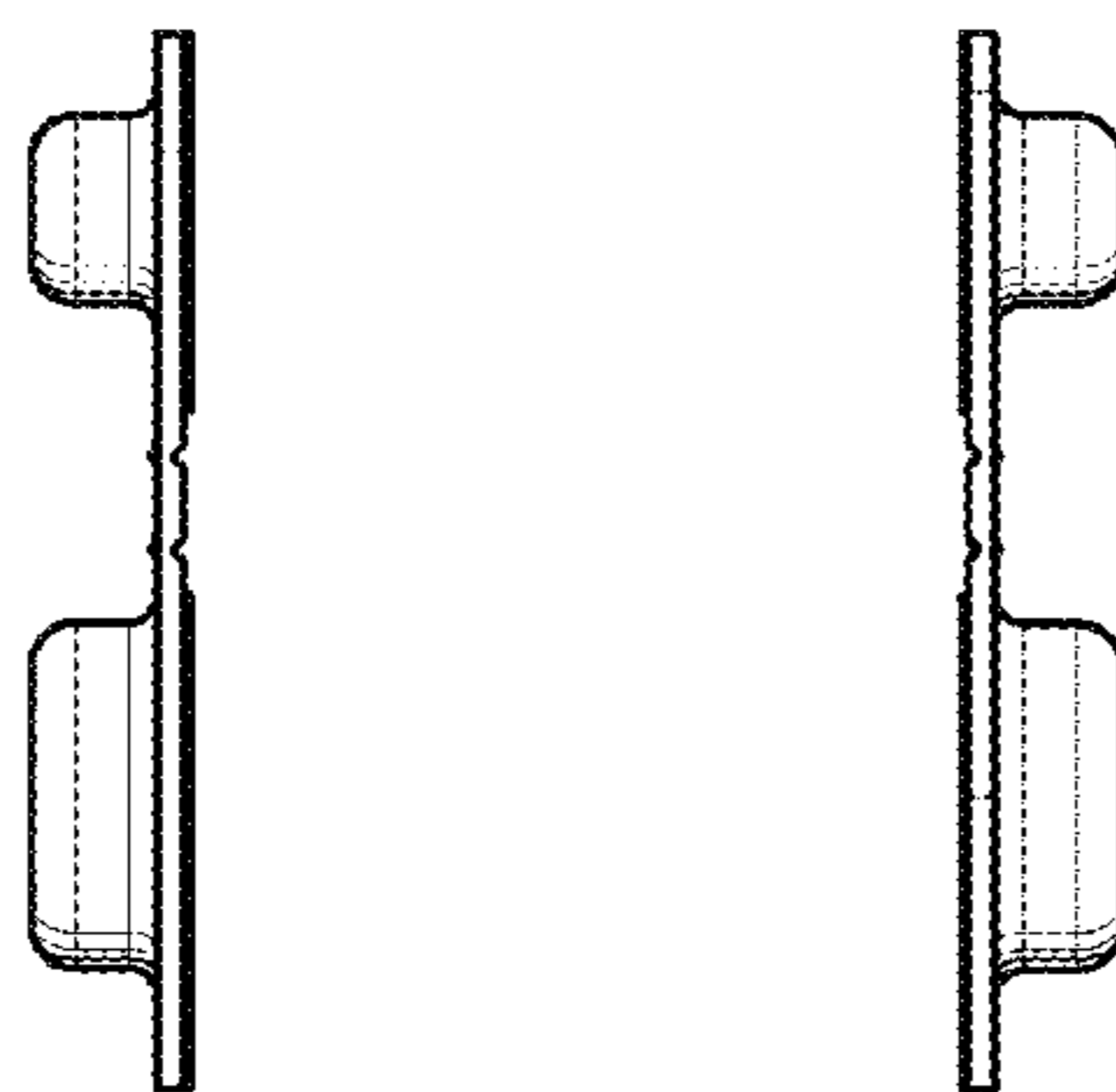


FIG. 6

FIG. 7

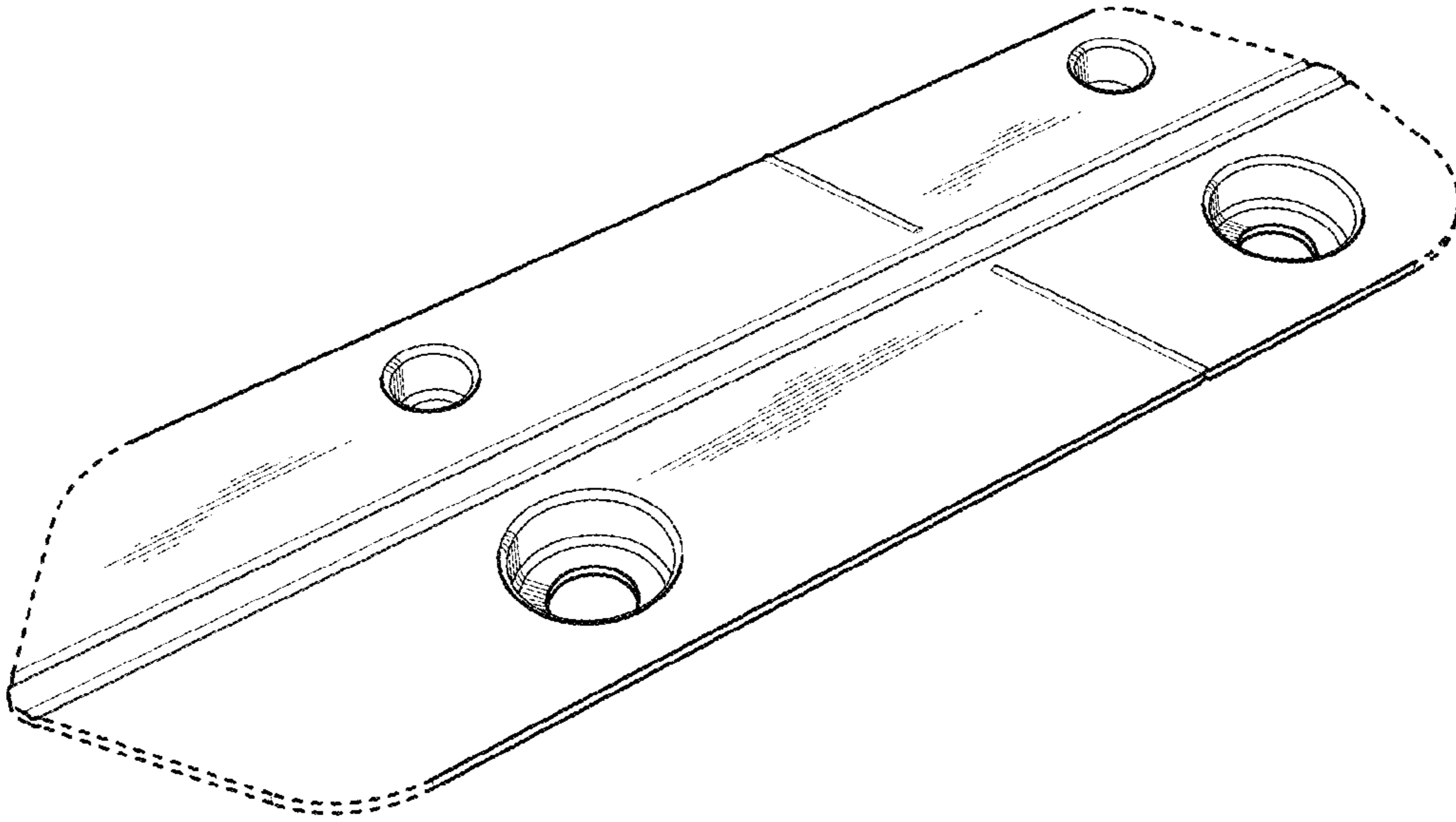


FIG. 8

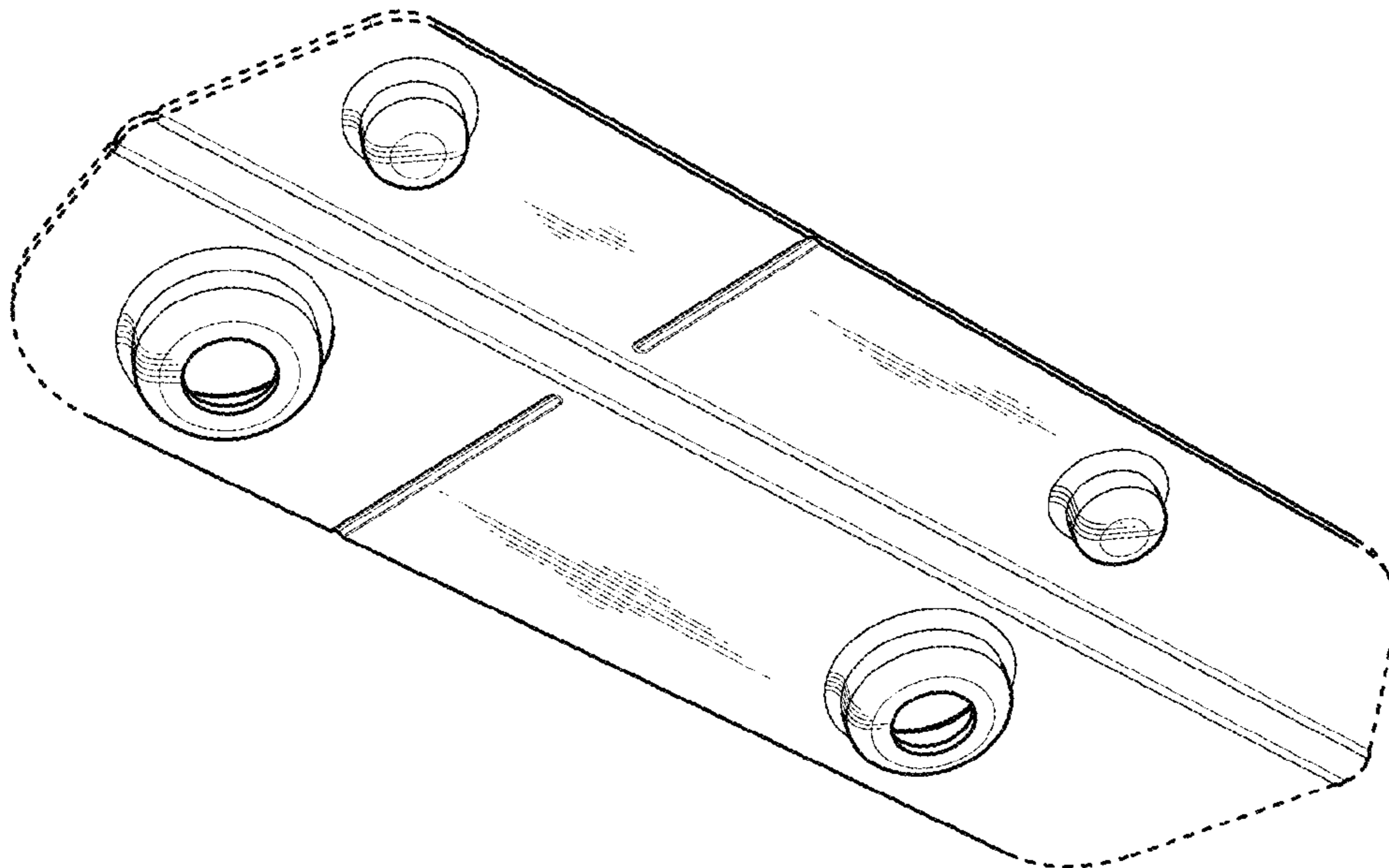


FIG. 9

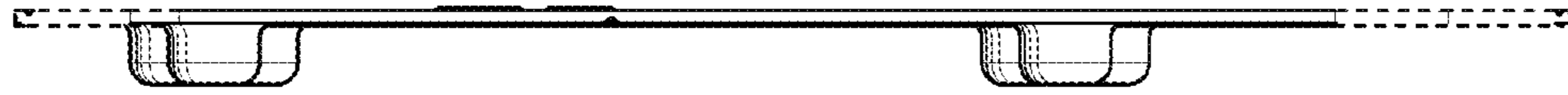


FIG. 10

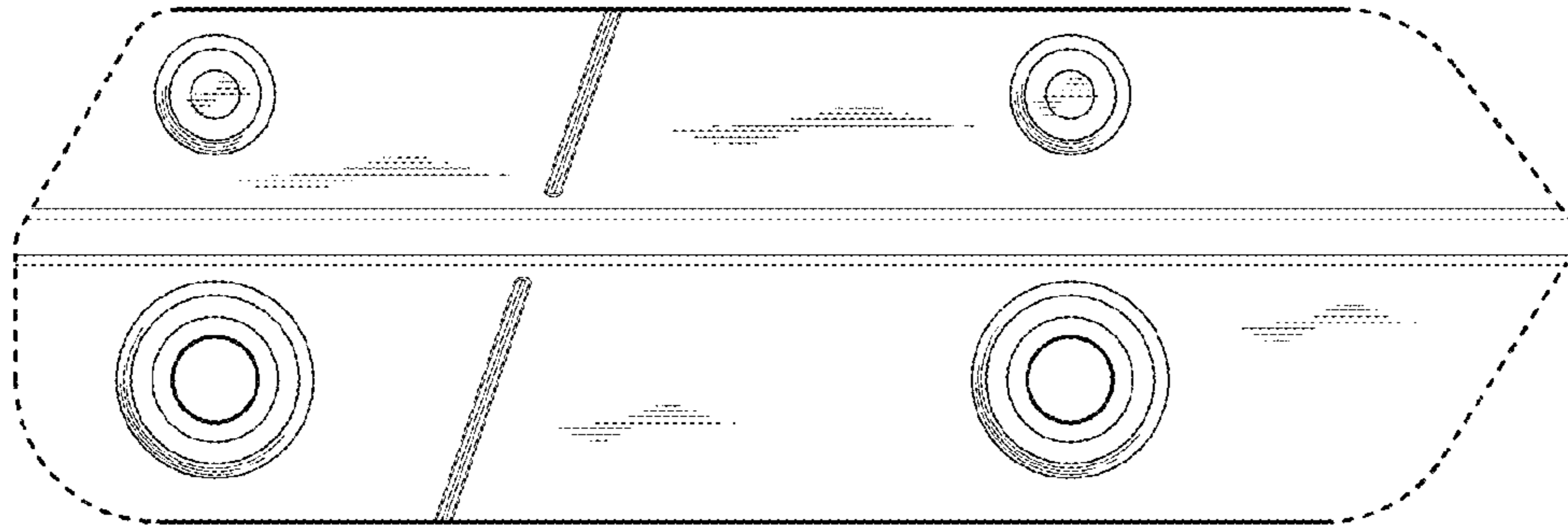


FIG. 11

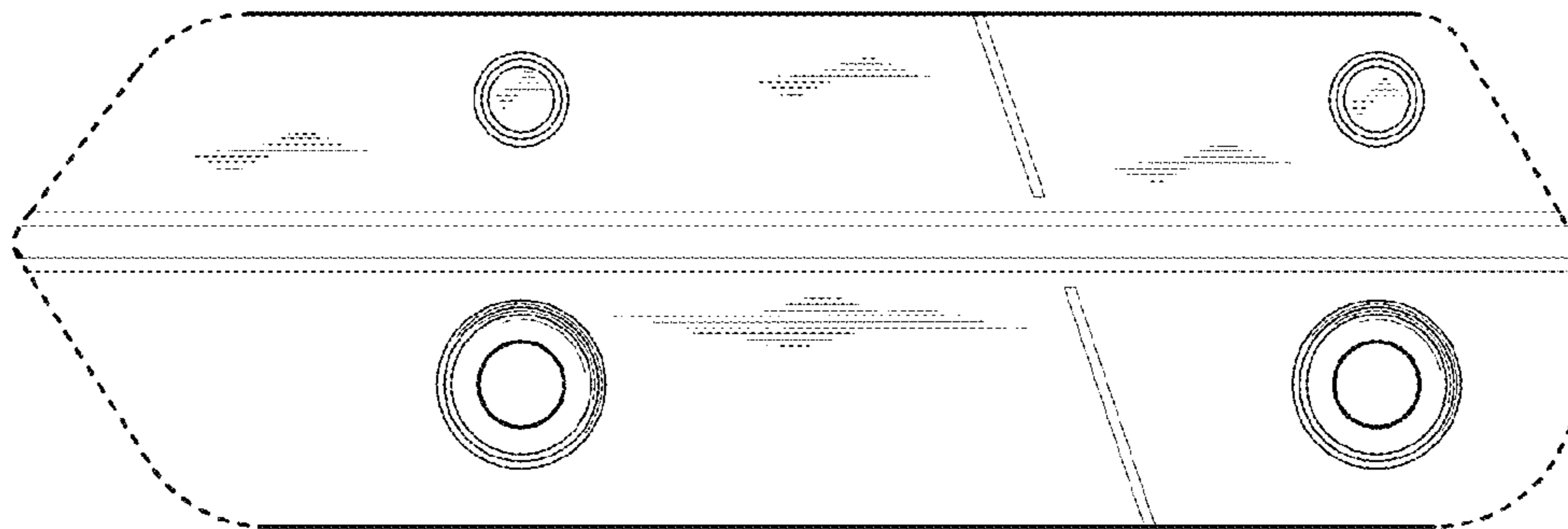


FIG. 12



FIG. 13



FIG. 14

UNITED STATES PATENT AND TRADEMARK OFFICE
CERTIFICATE OF CORRECTION

PATENT NO. : D760,079 S
APPLICATION NO. : 29/489843
DATED : June 28, 2016
INVENTOR(S) : L. Rodman et al.

Page 1 of 1

It is certified that error appears in the above-identified patent and that said Letters Patent is hereby corrected as shown below:

On the Title Page

<u>Column</u>	<u>Line</u>	<u>Error</u>
DESCRIPTION Page 1, Column 2	1	“an perspective” should read --a perspective--
DESCRIPTION Page 1, Column 2	12	“an perspective” should read --a perspective--

Signed and Sealed this
Fourteenth Day of February, 2017



Michelle K. Lee
Director of the United States Patent and Trademark Office