



US00D760077S

(12) **United States Design Patent**
Rye et al.

(10) **Patent No.:** **US D760,077 S**
(45) **Date of Patent:** **** Jun. 28, 2016**

(54) **FILTER CLOSURE**

(71) Applicant: **Mercola.com Health Resources, LLC**,
Hoffman Estates, IL (US)

(72) Inventors: **Steven Andrew Rye**, Glendale Heights,
IL (US); **Paul Mulhauser**, New York,
NY (US); **Kyungmin Andy Lee**, New
York, NY (US)

(73) Assignee: **Mercola.com Health Resources, LLC**,
Hoffman Estates, IL (US)

(**) Term: **14 Years**

(21) Appl. No.: **29/497,805**

(22) Filed: **Jul. 29, 2014**

(51) **LOC (10) Cl.** **09-07**

(52) **U.S. Cl.**
USPC **D9/436**

(58) **Field of Classification Search**
USPC D7/300, 316, 387, 396.2, 397, 510;
D8/352, 399; D9/420, 428, 429,
D9/434-436, 440, 443, 439, 444-447, 449,
D9/450-454, 456, 499, 503, 504, 549, 715,
D9/717, 718, 728, 738, 741; D23/260,
D23/269, 390; D24/224; 99/375; 215/252;
220/212, 371, 530, 608, 711, 713, 839;
426/394
CPC B65D 47/06
See application file for complete search history.

(56) **References Cited**

U.S. PATENT DOCUMENTS

D198,649 S * 7/1964 Dobbins D9/443
D291,971 S * 9/1987 Smith D9/447
5,211,289 A * 5/1993 Matthews B65D 21/0219
206/508

D364,810 S * 12/1995 Meisner D9/446
D366,418 S * 1/1996 Lown D9/449
D384,021 S * 9/1997 Hoxie D12/204
D407,601 S * 4/1999 Midden D10/49
D443,513 S * 6/2001 Goettner D9/452
D448,974 S * 10/2001 Hydak D7/387
D495,600 S * 9/2004 Kouri D9/435
D500,677 S * 1/2005 Druitt D9/452
D518,373 S * 4/2006 Schulthess D9/434

(Continued)

OTHER PUBLICATIONS

U.S. Appl. No. 14/445,396, filed Jul. 29, 2014, Rye et al.

(Continued)

Primary Examiner — Robert M Spear

Assistant Examiner — Darcey E Heflin

(74) *Attorney, Agent, or Firm* — Reinhart Boerner Van
Deuren P.C.

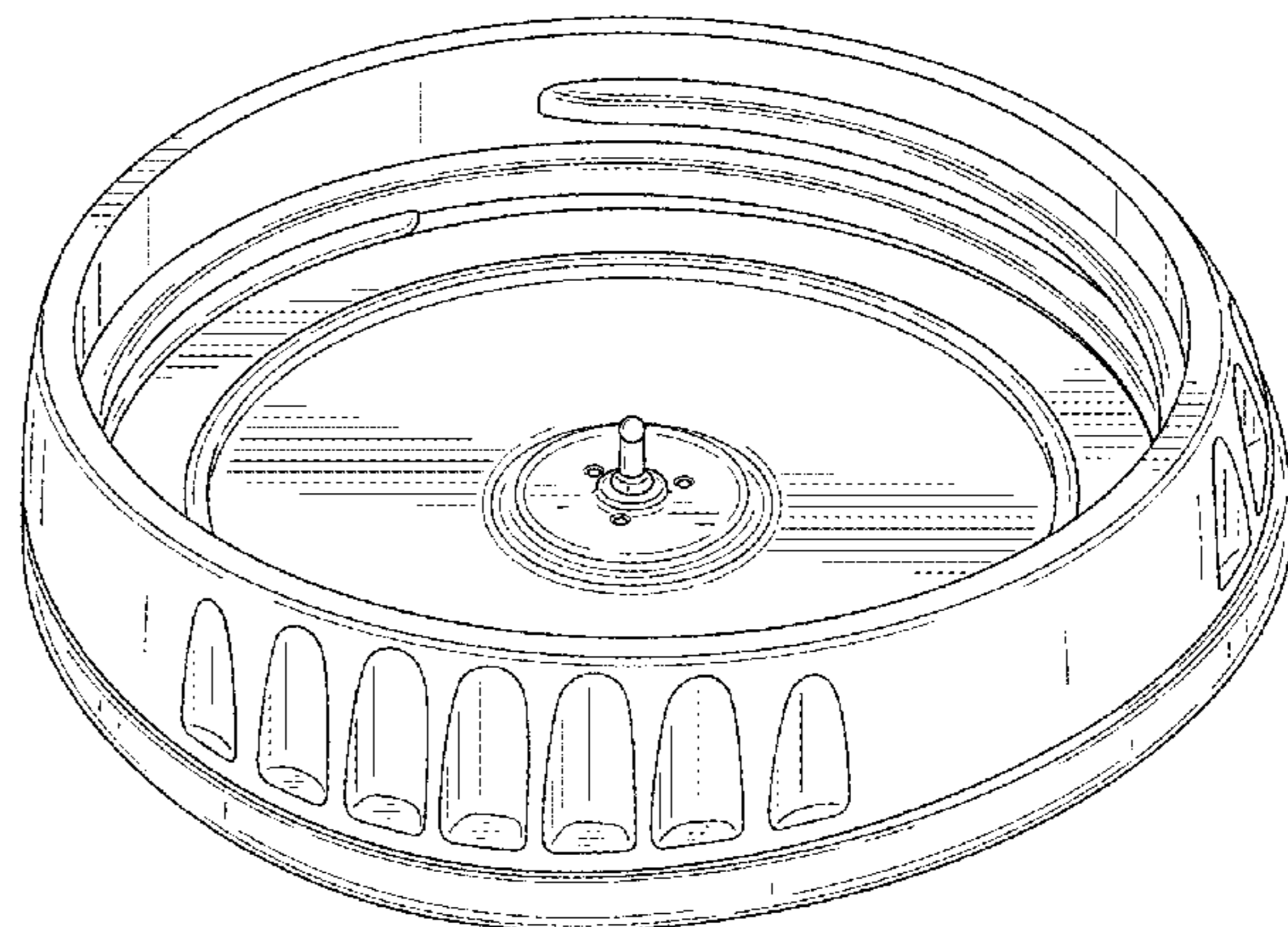
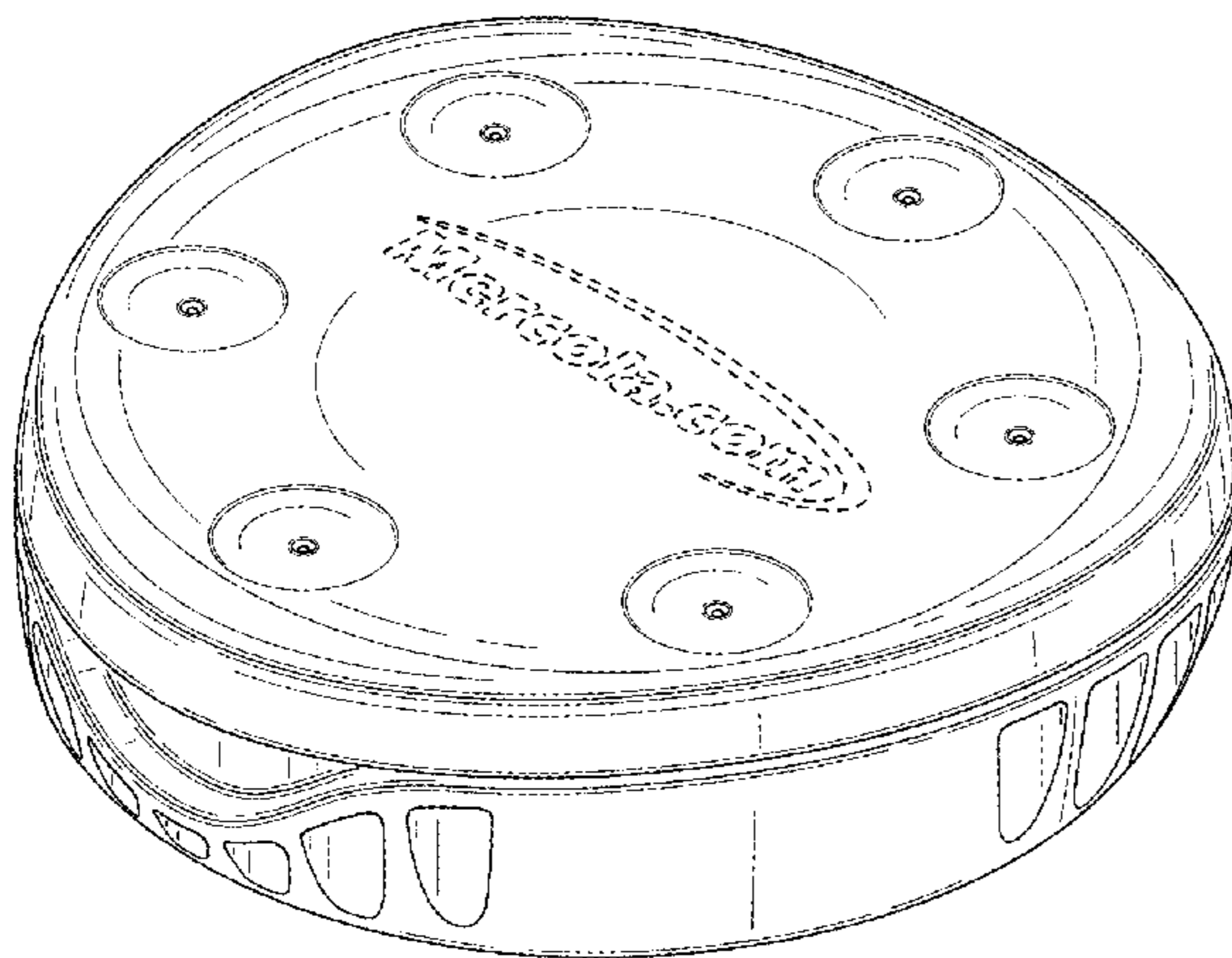
(57) **CLAIM**

We claim the ornamental design for a filter closure, as shown
and described.

DESCRIPTION

FIG. 1 is a top perspective view of a filter closure;
FIG. 2 is a top view of the claimed design of FIG. 1;
FIG. 3 is right side view of the claimed design of FIG. 1, the
left side view being a mirror image thereof;
FIG. 4 is a front view of the claimed design of FIG. 1;
FIG. 5 is a back view of the claimed design of FIG. 1;
FIG. 6 is a bottom view of the claimed design of FIG. 1;
FIG. 7 is a bottom perspective view of the claimed design of
FIG. 1; and,
FIG. 8 is a bottom perspective view from an opposite side
from FIG. 7 of the claimed design of FIG. 1.
In the drawings, the broken lines depict environmental sub-
ject matter only that forms no part of the claim.

1 Claim, 4 Drawing Sheets



(56)

References Cited

U.S. PATENT DOCUMENTS

D621,705 S *	8/2010	Breckan	D9/443
D637,484 S *	5/2011	Winkler	D9/417
D673,849 S *	1/2013	Barbier	D9/429
D693,685 S *	11/2013	Ramsey	D9/453
D721,963 S *	2/2015	Finkbohner	D9/453
D722,267 S *	2/2015	Miranda De Araujo	D9/449

OTHER PUBLICATIONS

Bountiful Gardens, Kitchen Crock Filters Item #32-756, available at <http://www.bountifulgardens.org/products.asp?dept=160>, believed to be publically available prior to Jul. 29, 2014, accessed on Jul. 30, 2014, 2 pages.

Leakproof, Odor-Free Stainless Steel Compost Crocks, Filters and Compost Bags, Plow & Hearth, available at http://www.plowhearth.com/leakproof-odor-free-stainless-steel-compost-crocks-filters-and-compost-bags_p6505.html, believed to be publically available prior to Jul. 29, 2014, accessed on Jul. 30, 2014, 3 pages.

Matt Jabs, Kitchen Compost Bucket—DIY, Easy, and Frugal, DIY Natural, available at <http://www.diynatural.com/kitchen-compost-bucket-diy-easy-and-frugal/>, believed to be publically available prior to Jul. 29, 2014, accessed on Jul. 30, 2014, 31 pages.

FoodSaver® Wide Mouth Jar Sealer, Bed Bath & Beyond, available at http://www.bedbathandbeyond.com/product.asp?sku=12479247&utm_source=google&utm_medium=cpc&device=c&network=g&matchtype=&gclid=CNiF-oCIIIgCFcad4AodDCgAdw, believed to be publically available prior to Jul. 29, 2014, accessed on Jul. 30, 2014, 1 page.

Synthetic Filter Discs, Myco Supply—Mushroom Growing Supplies, Tools & Equipment Company, Inc., available at <http://www.mycosupply.com/cgi-bin/shopper.cgi?preadd=action&key=SFDI01>, believed to be publically available prior to Jul. 29, 2014, accessed on Jul. 30, 2014, 2 pages.

Holmes Replacement Wick Humidifier Filter, Blain's Farm & Fleet, available at <http://www.farmandfleet.com/products/436286-holmes-replacement-wick-humidifier-filter.html#.UdSFDG3Np8E>, believed to be publically available prior to Jul. 29, 2014, accessed on Jul. 30, 2014, 1 page.

Sprout People, available at <http://www.sproutpeople.com/devices/jar/jar.html>, believed to be publically available prior to Jul. 29, 2014, accessed on Jul. 30, 2014, 2 pages.

Friis Freshness Valve, Friis Coffee, available at <http://www.friiscoffee.com/friis-freshness-valve/>, believed to be publically available prior to Jul. 29, 2014, accessed on Jul. 30, 2014, 3 pages.

Odor-Free Compost Keeper Bamboo Pail with Filter, 3 Quart, A.M. Leonard's Gardeners Edge, available at <http://www.gardenersedge.com/bamboo-kitchen-compost-bucket/p/CCB/>, believed to be publically available prior to Jul. 29, 2014, accessed on Jul. 30, 2014, 2 pages.

BNTO Canning Jar Lunchbox Adaptor—Wide Mouth—6oz—Clear, Cuppow, available at <http://www.cuppow.com/collections/bnto-jar-lunchbox-adaptors/products/bnto-04>, believed to be publically available prior to Jul. 29, 2014, accessed on Jul. 30, 2014, 1 page.

One-way bubbler vent on yeast fermenting container, believed to be publically available prior to Jul. 29, 2014, <http://www.youtube.com/watch?v=x3fRZielMxQ>.

Dana Tucker, How to Ferment Vegetables, available at <http://fermentingvegetables.blogspot.com/2012/07/do-you-want-easy-and-convenient-way-to.html#.Ubd-maP4JsI>, Jul. 21, 2012, believed to be publically available prior to Jul. 29, 2014, accessed on Jul. 30, 2014, 4 pages.

Product Information, Gremarco, available at <http://www.hibco.com/>, believed to be publically available prior to Jul. 29, 2014, accessed on Jul. 30, 2014, 1 page.

Hibco Plastics, available at <http://www.gremarco.com/products.php>, believed to be publically available prior to Jul. 29, 2014, accessed on Jul. 30, 2014, 1 page.

Getter®, ADCOA (Adsorbents & Desiccants Corporation of America), available at <http://catalog.adcoa.net/viewitems/activated-charcoal/getter-?&bc=10011008>, believed to be publically available prior to Jul. 29, 2014, accessed on Jul. 30, 2014, 2 pages.

American Activated Carbon Corp, available at <http://www.aacarbon.com/activated-carbon-america.html?scrollto=aac>, believed to be publically available prior to Jul. 29, 2014, accessed on Jul. 30, 2014, 3 pages.

Filtration Net, Industrial Netting, available at <http://www.industrialnetting.com/filtration.htm>, believed to be publically available prior to Jul. 29, 2014, accessed on Jul. 30, 2014, 2 pages.

Calgon Carbon, available at <http://www.calgoncarbon.com/index.php>, believed to be publically available prior to Jul. 29, 2014, accessed on Jul. 30, 2014, 1 page.

How to Know When Your Fermented Vegetables Are Ready for Cold Storage, Cultures for Health, available at <http://www.culturesforhealth.com/how-to-know-fermented-vegetables-ready-cold-storage>, believed to be publically available prior to Jul. 29, 2014, accessed on Jul. 30, 2014, 2 pages.

When Do Fermented Foods Go Bad? Our Most Frequently Asked Questions on This Topic Answered, Body Ecology, available at http://bodyecology.com/articles/fermented_foods_frequently_asked_questions.php#.UbEcBKP4JsI, Oct. 20, 2007, believed to be publically available prior to Jul. 29, 2014, accessed on Jul. 30, 2014, 2 pages.

Paul Jaminet, Fermented Mixed Vegetables, Perfect Health Diet, available at <http://perfecthealthdiet.com/2011/11/fermented-mixed-vegetables/>, Nov. 27, 2011, believed to be publically available prior to Jul. 29, 2014, accessed on Jul. 30, 2014, 10 pages.

How to Ferment Vegetables: The Basic Culturing Process, Cultures for Health, available at <http://www.culturesforhealth.com/how-to-naturally-culture-ferment-vegetables>, believed to be publically available prior to Jul. 29, 2014, accessed on Jul. 30, 2014, 2 pages.

* cited by examiner

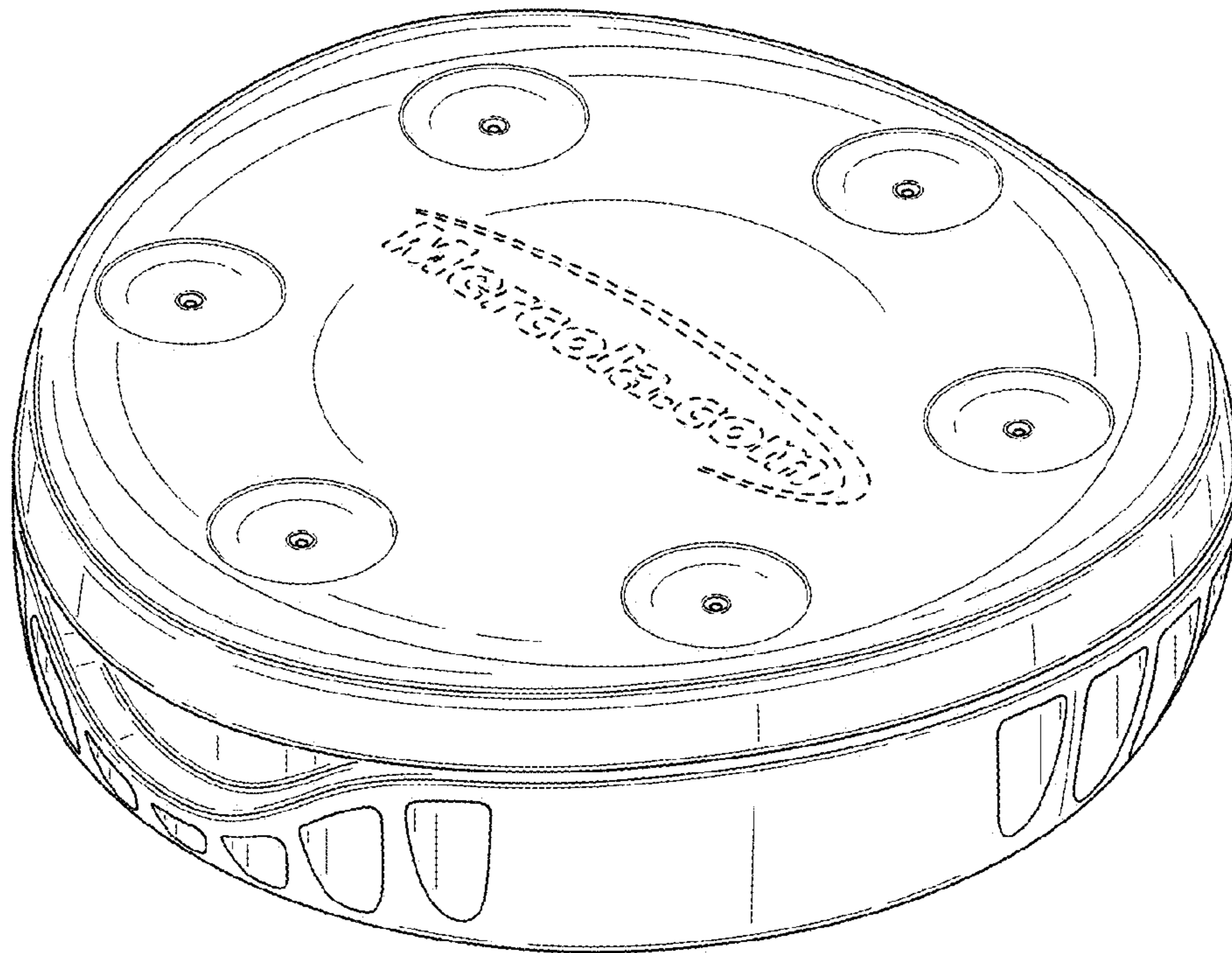


FIG. 1

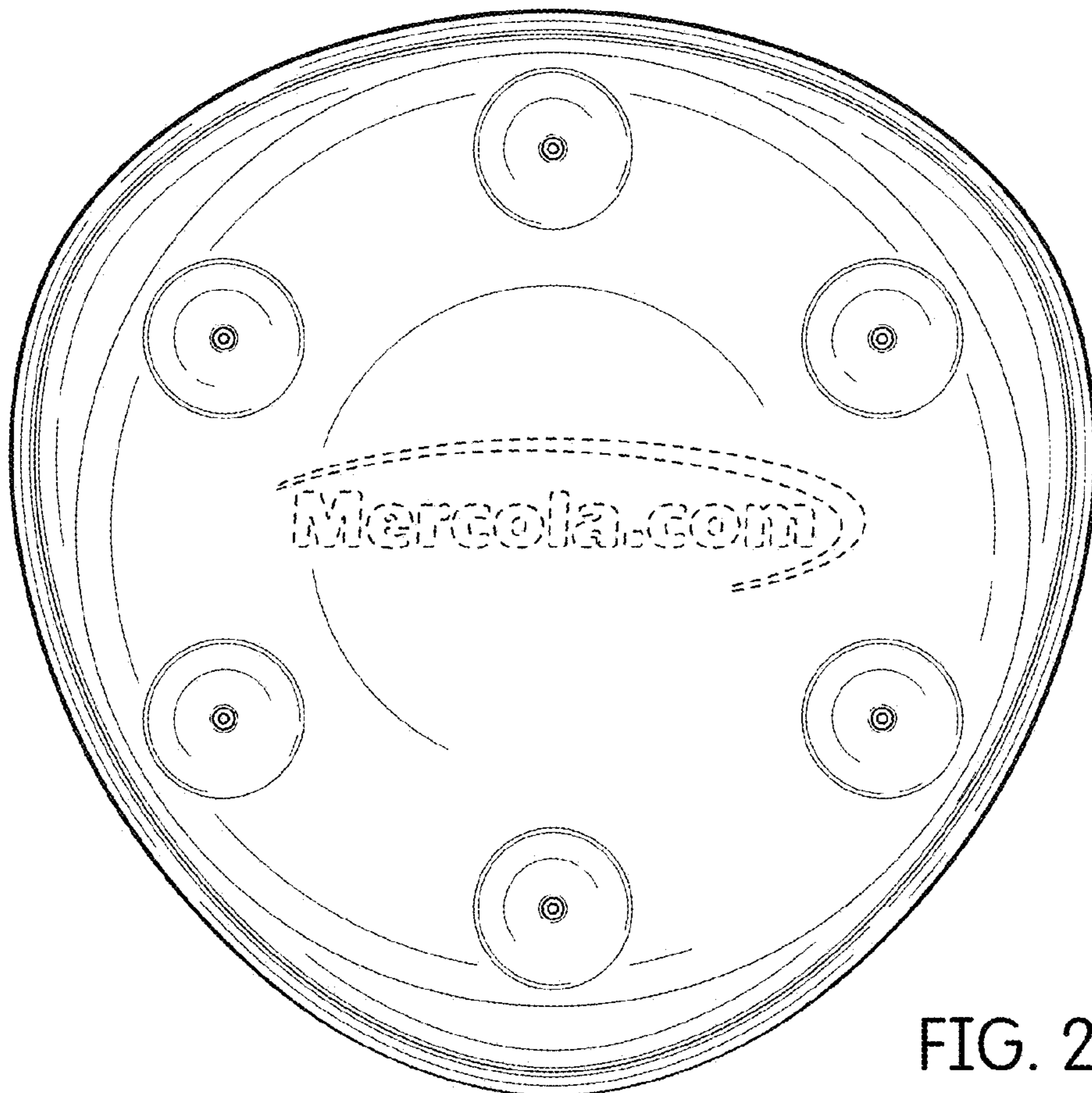


FIG. 2

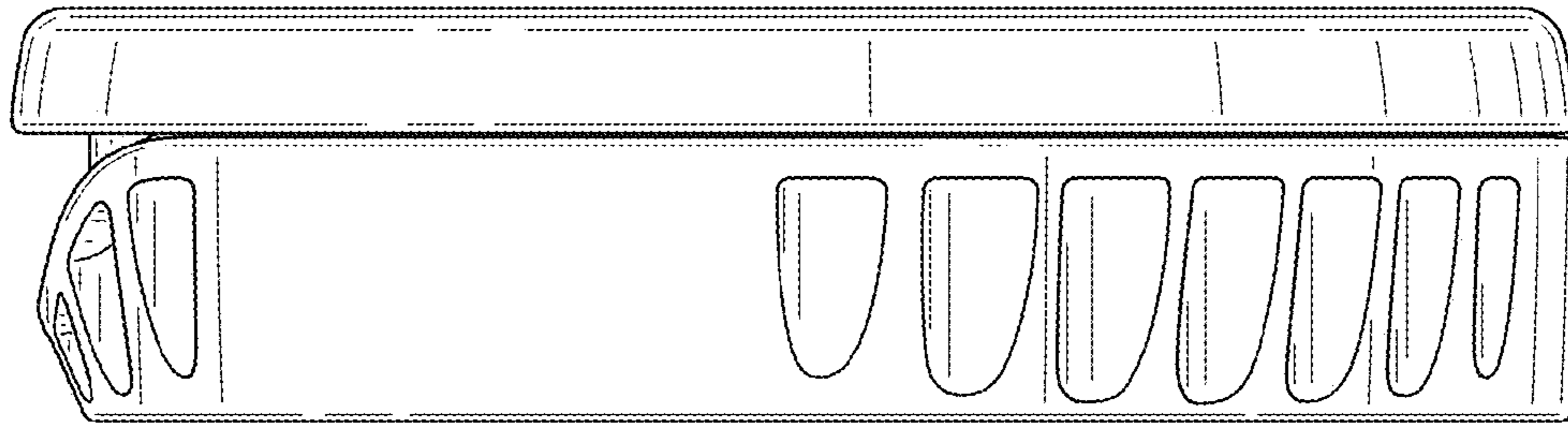


FIG. 3

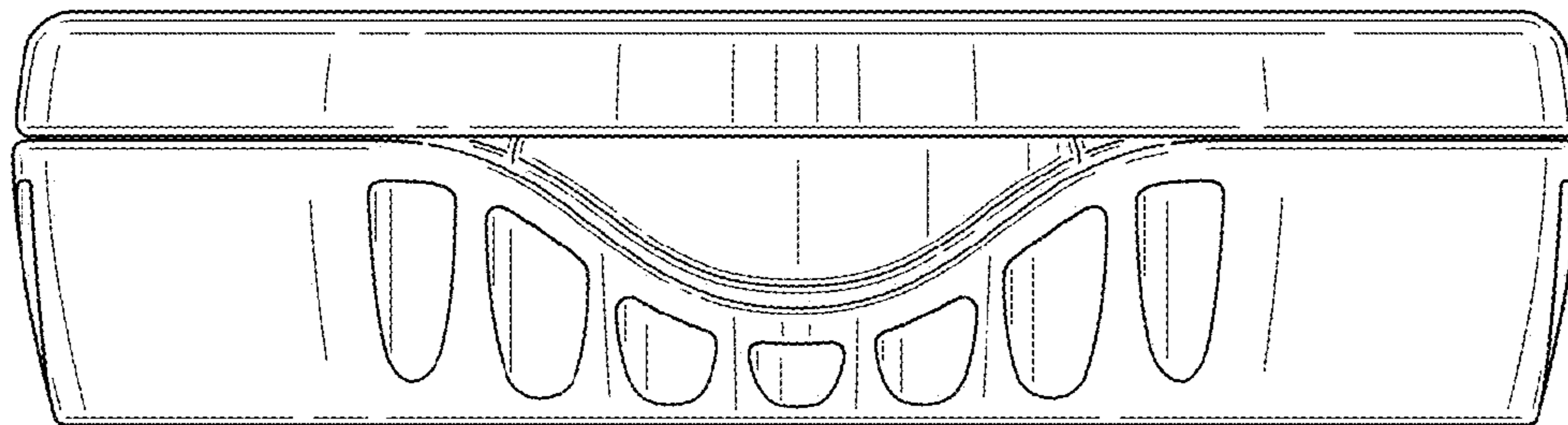


FIG. 4

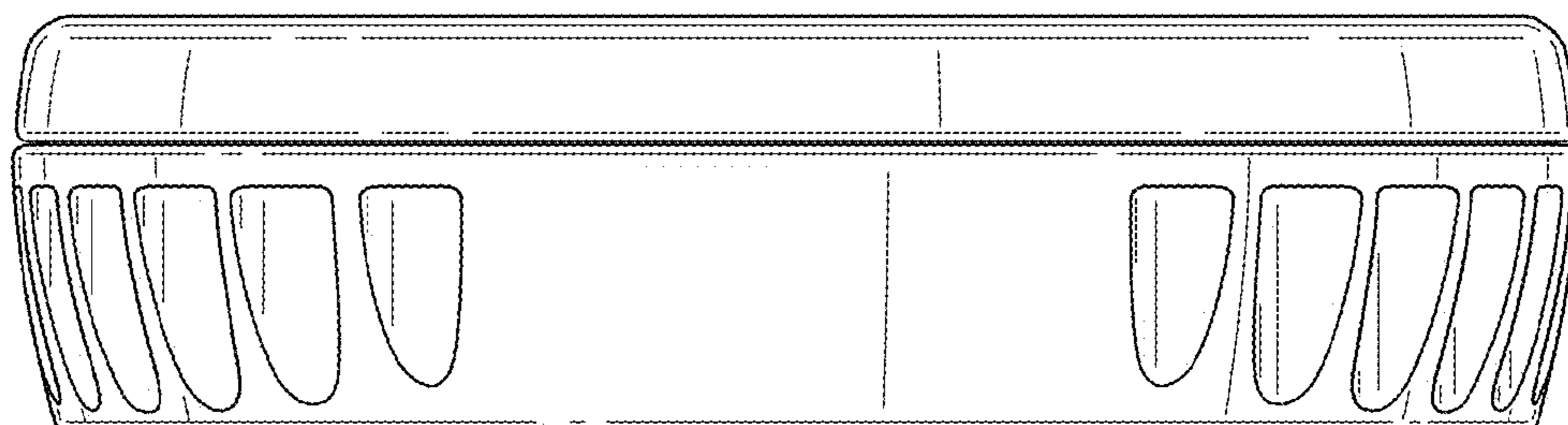


FIG. 5

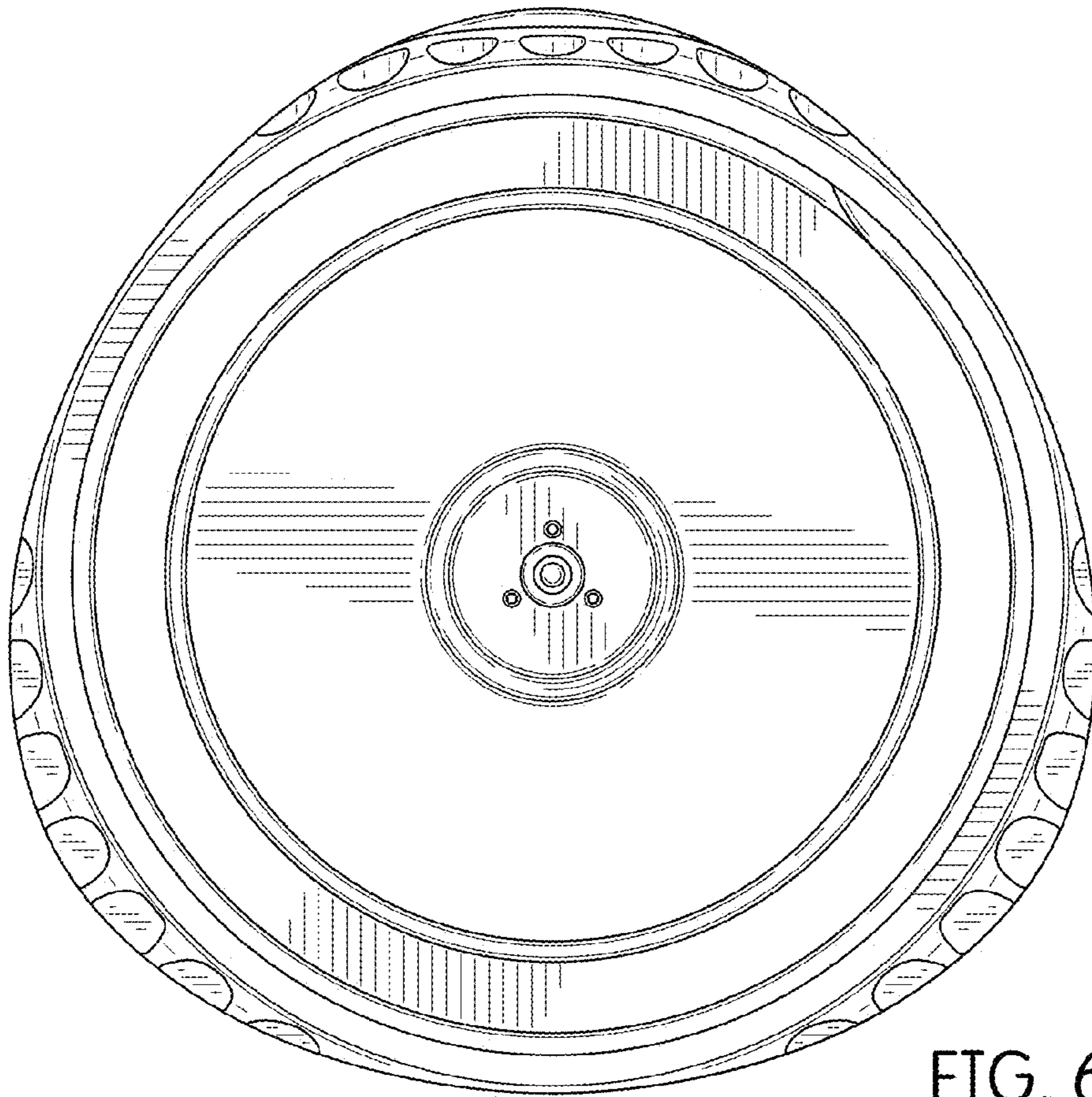


FIG. 6

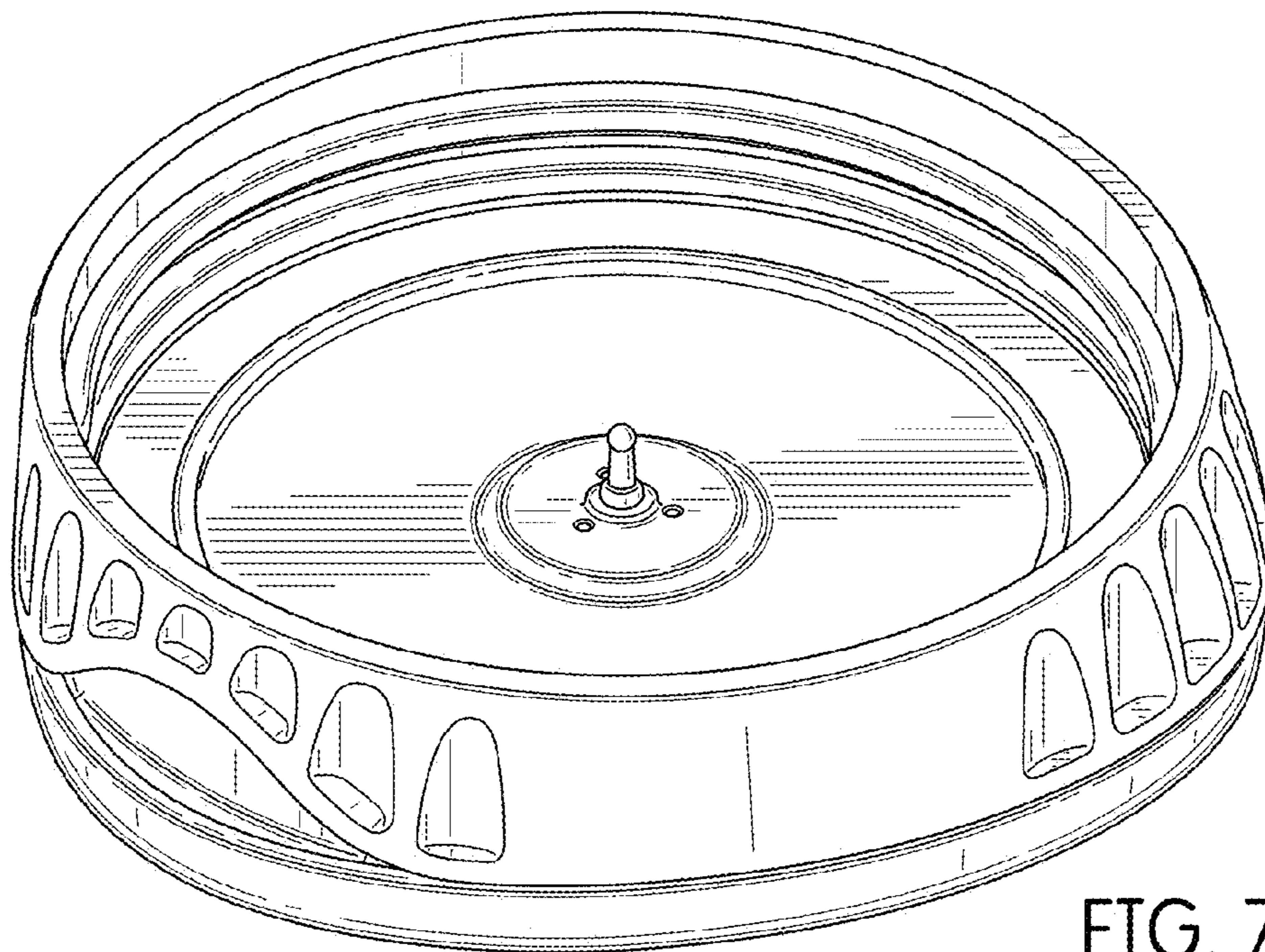


FIG. 7

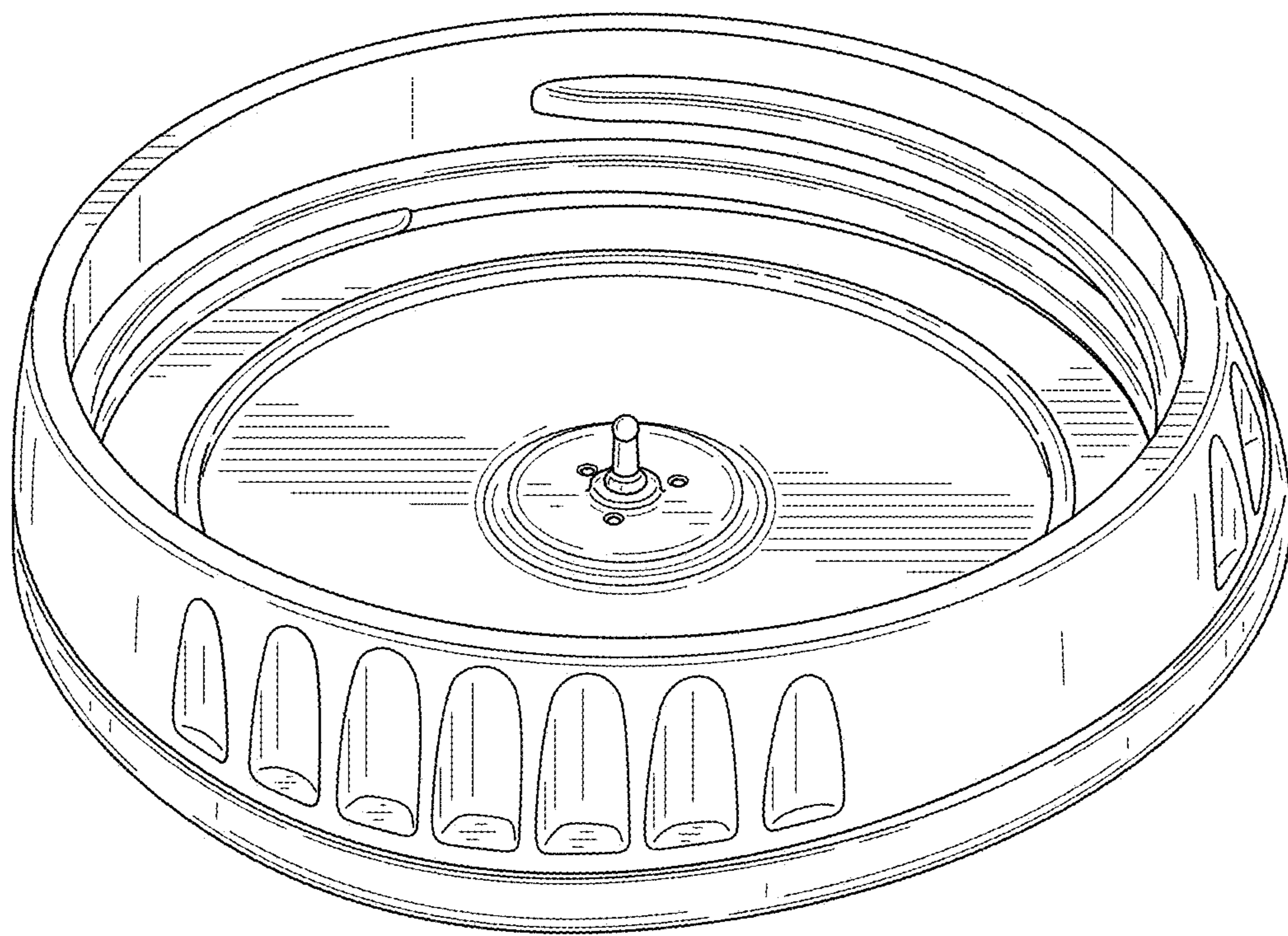


FIG. 8