



US00D760071S

(12) **United States Design Patent**  
**Wu et al.**

(10) **Patent No.:** **US D760,071 S**  
(45) **Date of Patent:** **\*\* Jun. 28, 2016**

- (54) **PACKAGE FOR LOCK DEVICES**
- (71) Applicant: **TAIWAN FU HSING INDUSTRIAL CO., LTD.**, Kaohsiung (TW)
- (72) Inventors: **Wen-Fa Wu**, Kaohsiung (TW);  
**Chiao-Chin Lu**, Kaohsiung (TW)
- (73) Assignee: **TAIWAN FU HSING INDUSTRIAL CO., LTD.**, Gangshan District,  
Kaohsiung (TW)
- (\*\*) Term: **15 Years**
- (21) Appl. No.: **29/530,591**
- (22) Filed: **Jun. 17, 2015**
- (30) **Foreign Application Priority Data**  
May 12, 2015 (TW) ..... 104302533
- (51) **LOC (10) Cl.** ..... **09-03**
- (52) **U.S. Cl.**  
USPC ..... **D9/415**
- (58) **Field of Classification Search**  
USPC ..... D9/414-419, 499, 702, 425, 722;  
D14/204; D27/189; D7/504;  
206/459.5, 461, 394, 499, 557, 445;  
229/238  
CPC .. B65D 11/10; B65D 75/225; B65D 83/0847;  
B65D 75/32; B65D 75/22; B65D 57/00;  
A47F 7/0057  
See application file for complete search history.

- (56) **References Cited**  
U.S. PATENT DOCUMENTS  
1,811,772 A \* 6/1931 Willoughby ..... B65D 57/00  
206/499  
3,128,030 A \* 4/1964 Davies ..... B65D 75/22  
206/557  
3,288,278 A \* 11/1966 Rich ..... B65D 75/32  
229/238  
3,372,812 A \* 3/1968 Parcels ..... A47F 7/0057  
206/445

- 3,948,455 A \* 4/1976 Schwartz ..... B65D 83/0847  
206/394
- 4,512,474 A \* 4/1985 Harding ..... B65D 75/225  
206/461
- D310,462 S \* 9/1990 Schoen ..... D7/504
- 5,143,215 A \* 9/1992 Hartley ..... B65D 11/10  
206/459.5
- D427,433 S \* 7/2000 Leibeck ..... D27/189
- D429,634 S \* 8/2000 Pirro ..... D9/415
- D466,803 S \* 12/2002 Yang ..... D9/415
- D471,099 S \* 3/2003 Yang ..... D9/415
- D499,962 S \* 12/2004 Lee ..... D9/722
- D567,214 S \* 4/2008 Fynboe ..... D14/204
- D587,106 S \* 2/2009 Garrett ..... D9/415
- D588,934 S \* 3/2009 Bailey ..... D9/418
- D610,465 S \* 2/2010 Domingues ..... D9/702
- D619,888 S \* 7/2010 Domingues ..... D9/416
- D620,350 S \* 7/2010 Hernandez ..... D9/425
- D621,278 S \* 8/2010 Domingues ..... D9/702
- D637,902 S \* 5/2011 Evon ..... D9/419
- D643,744 S \* 8/2011 Domingues ..... D9/702
- D707,548 S \* 6/2014 Hobson ..... D9/416

\* cited by examiner

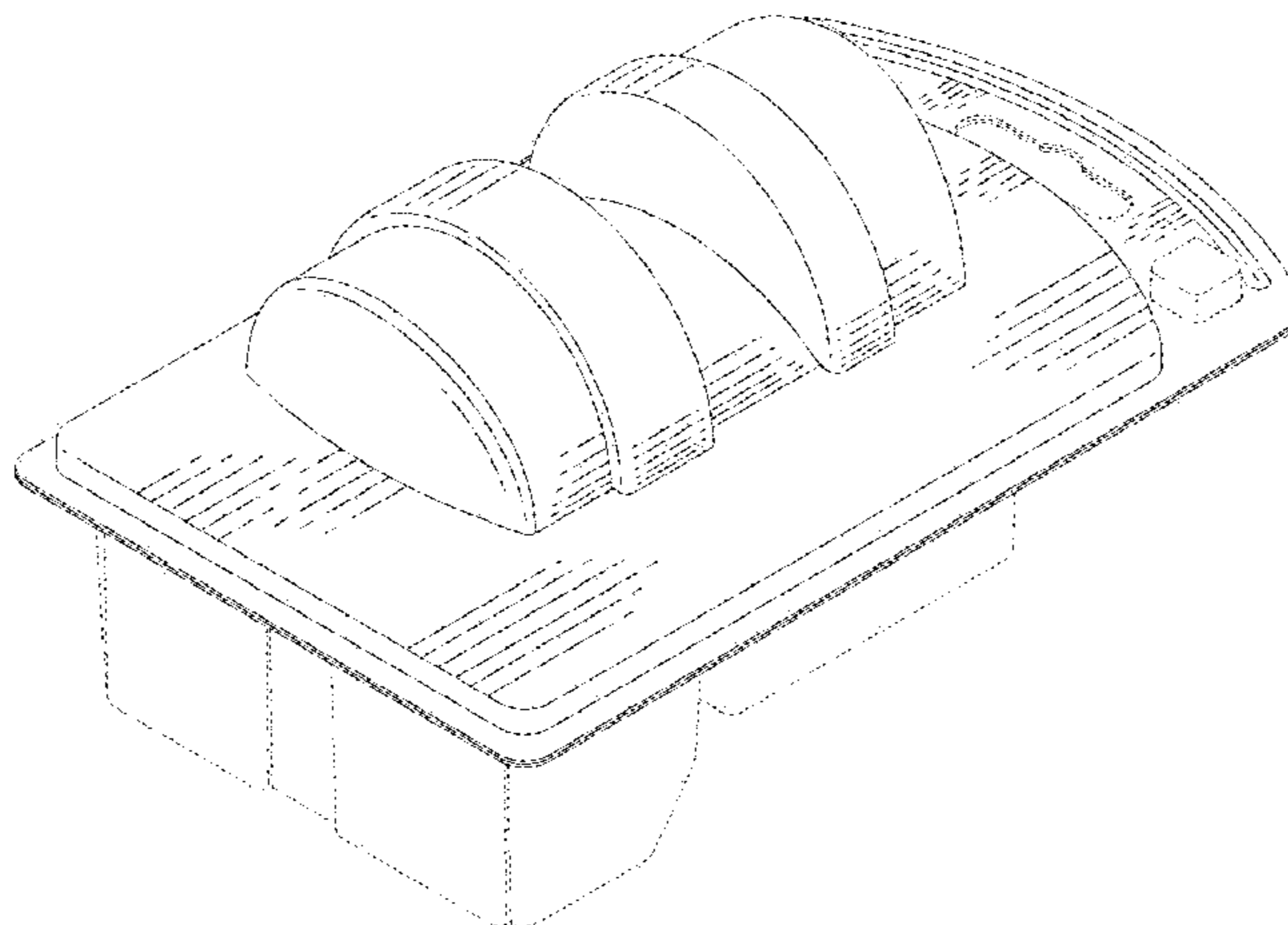
*Primary Examiner* — Holly Baynham  
*Assistant Examiner* — Rhea Shields  
(74) *Attorney, Agent, or Firm* — Winston Hsu; Scott Margo

(57) **CLAIM**  
The ornamental design for a package for lock devices, as shown and described.

**DESCRIPTION**

FIG. 1 is a front perspective view of a package for lock devices showing our new design;  
FIG. 2 is a front elevational view thereof;  
FIG. 3 is a rear elevational view thereof;  
FIG. 4 is a left side elevational view thereof;  
FIG. 5 is a right side elevational view thereof;  
FIG. 6 is a top plan view thereof; and,  
FIG. 7 is a bottom plan view thereof.  
In the drawings, the broken lines are for the purpose of illustrating environment only and form no part of the claimed design.

**1 Claim, 7 Drawing Sheets**



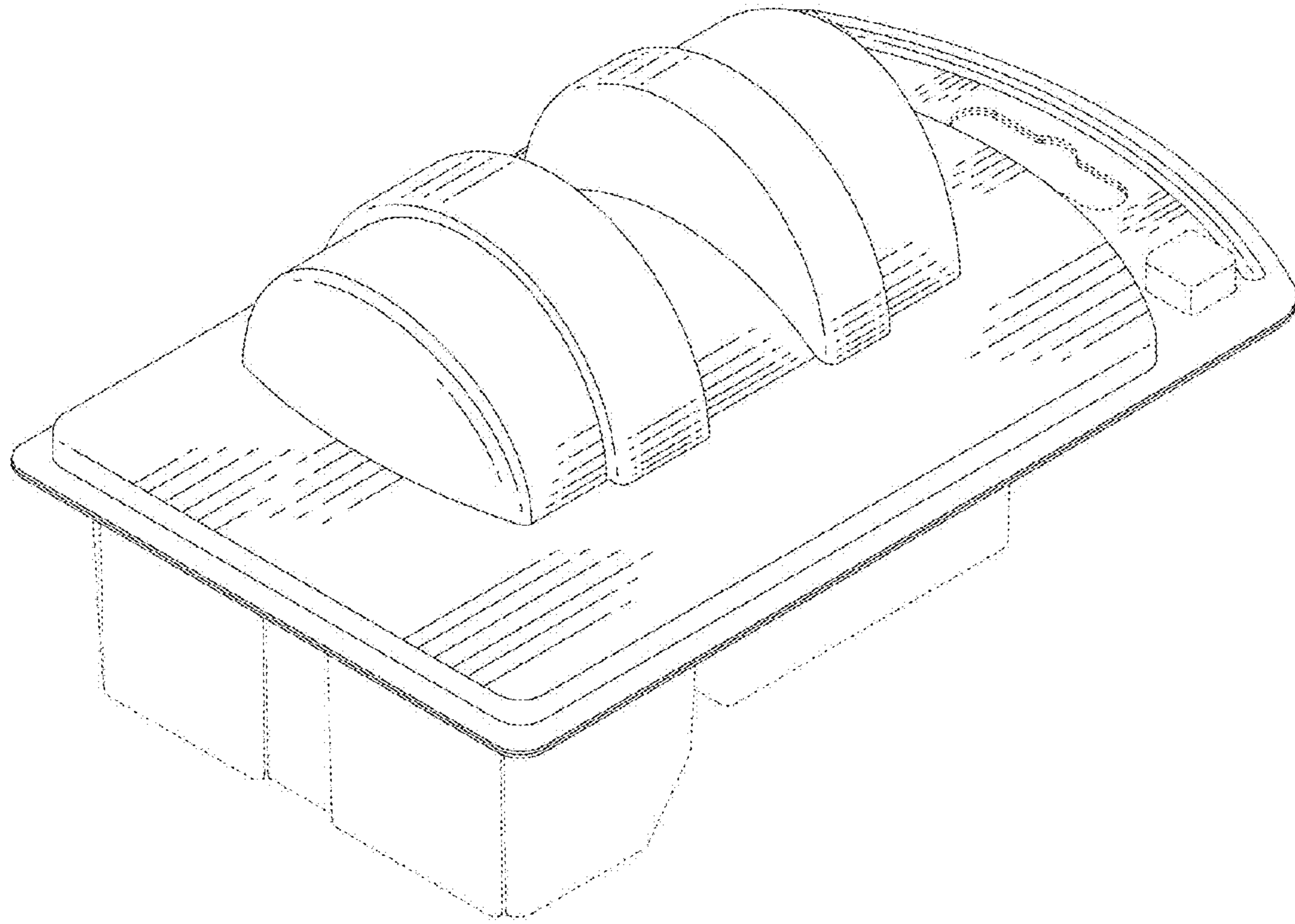


FIG. 1

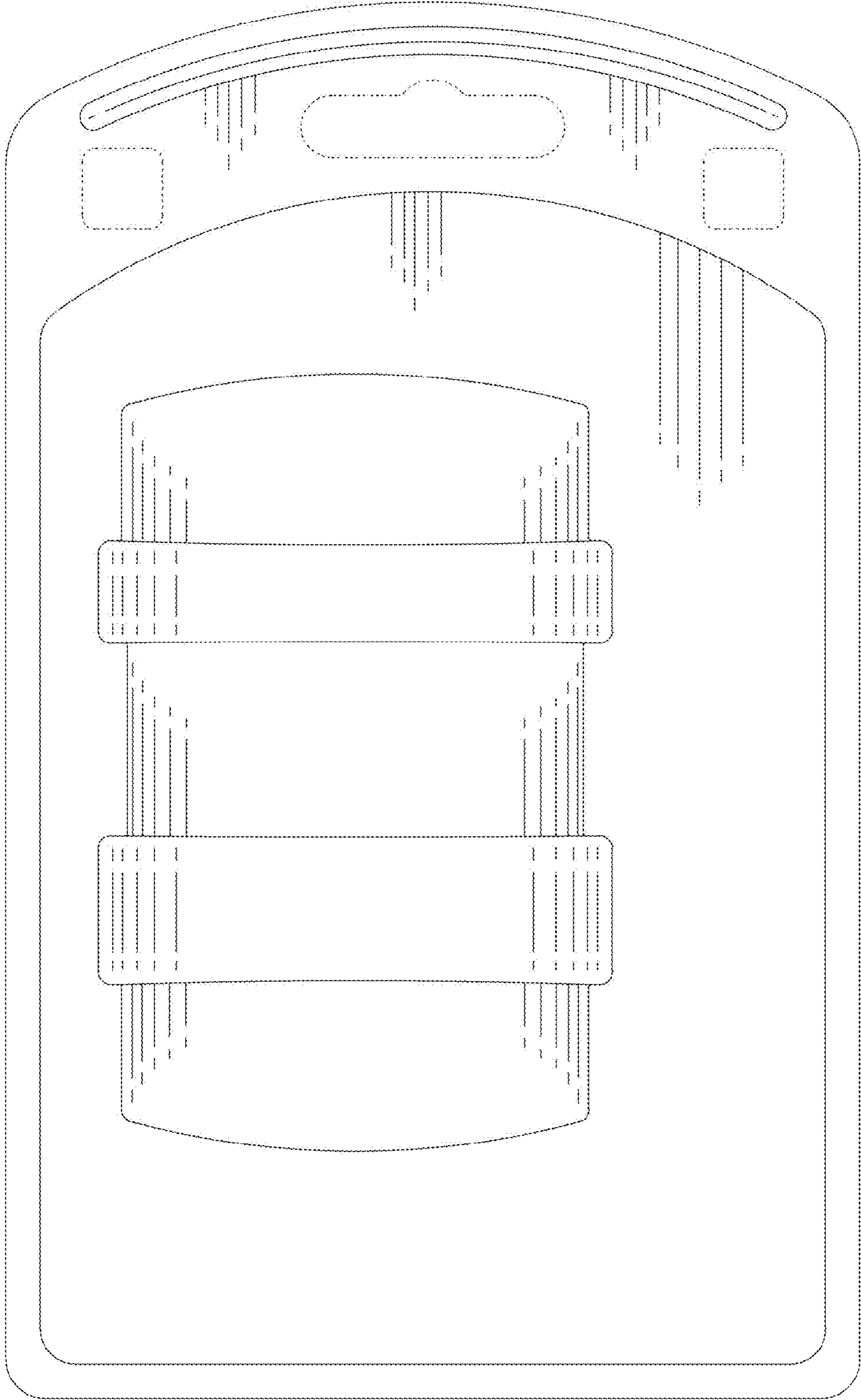


FIG. 2

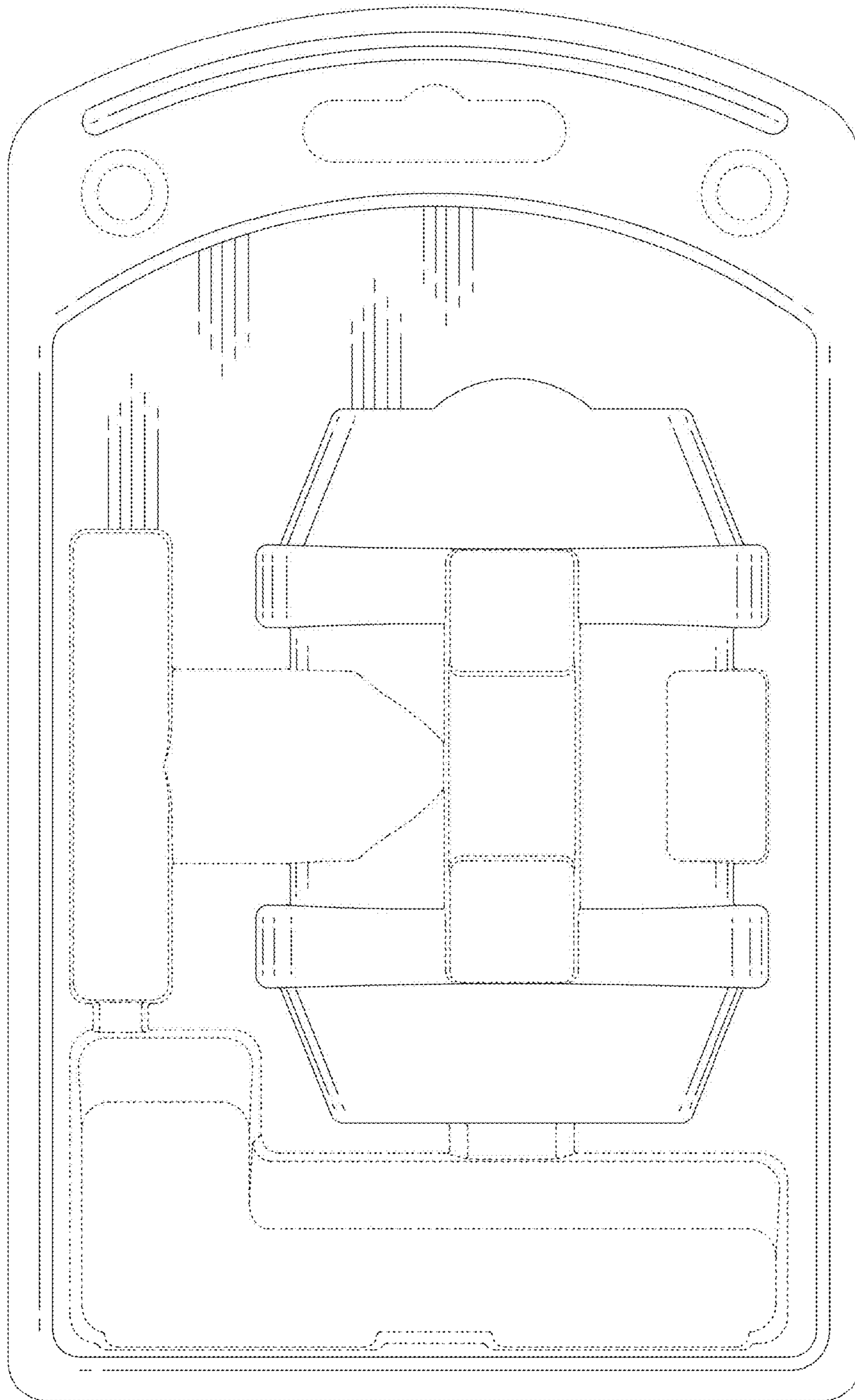


FIG. 3

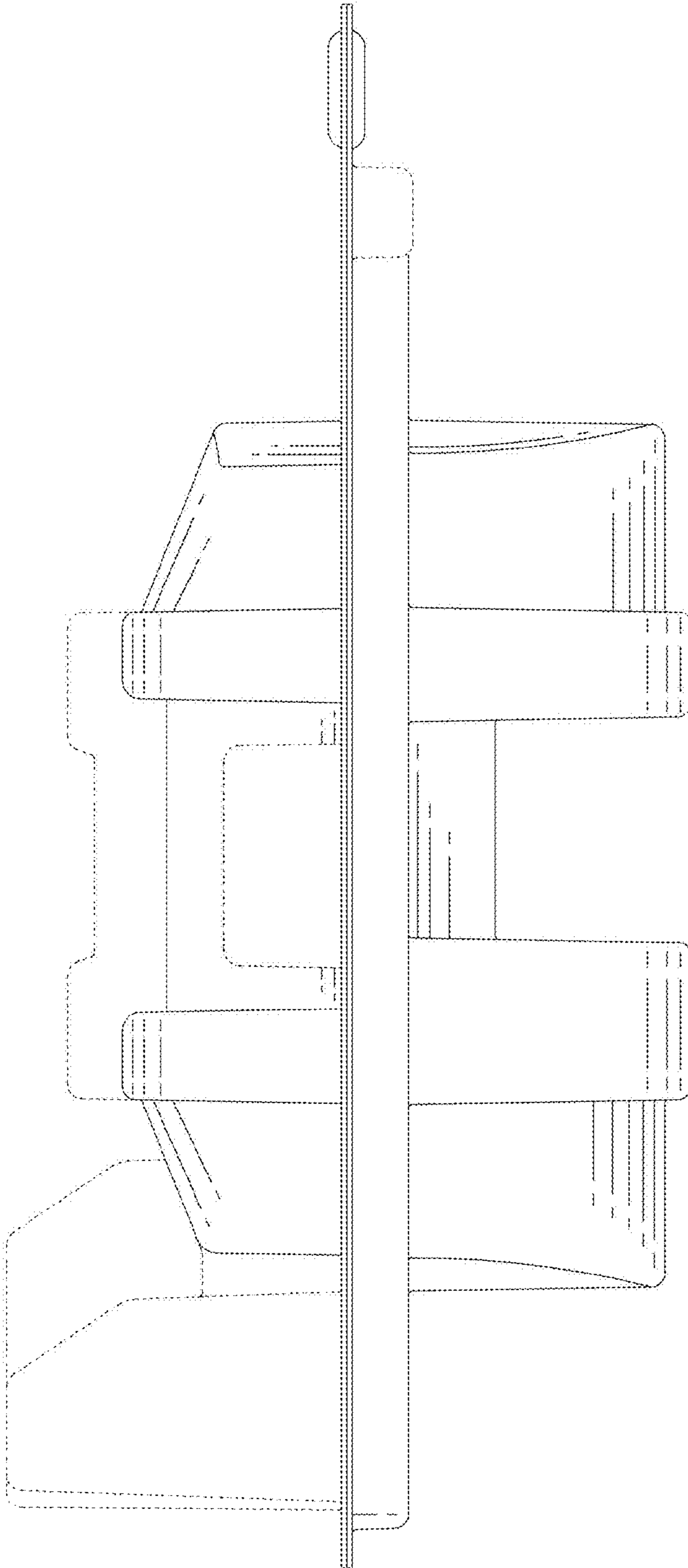


FIG. 4

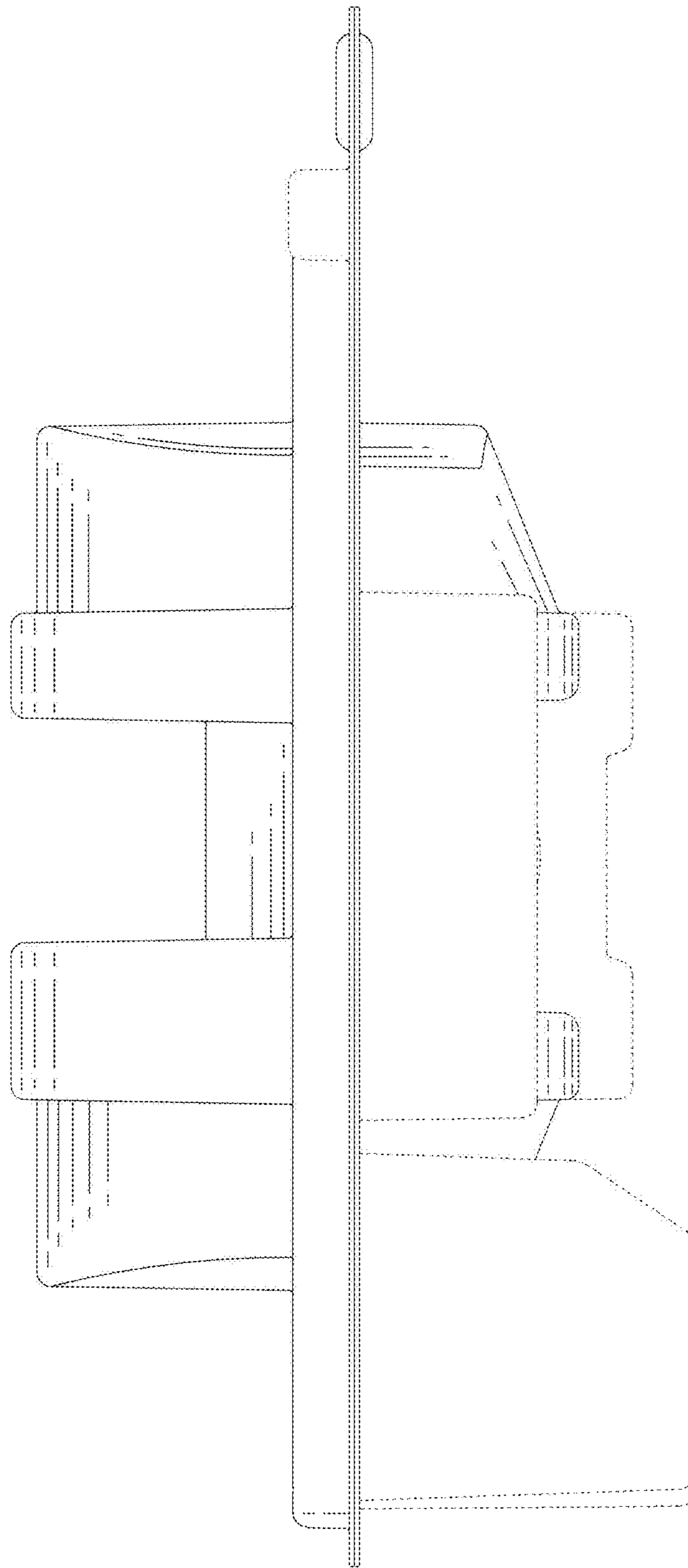


FIG. 5

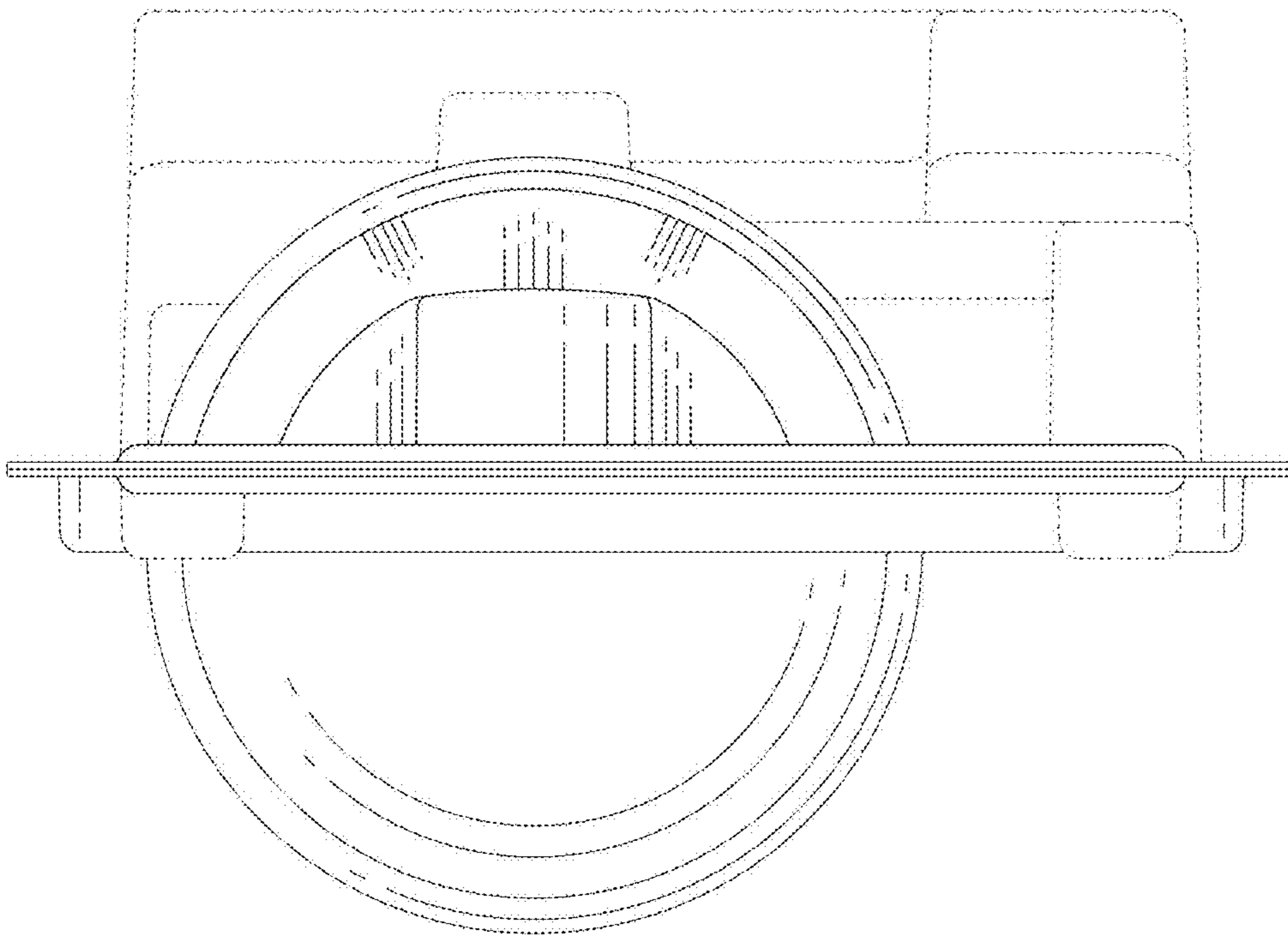


FIG. 6

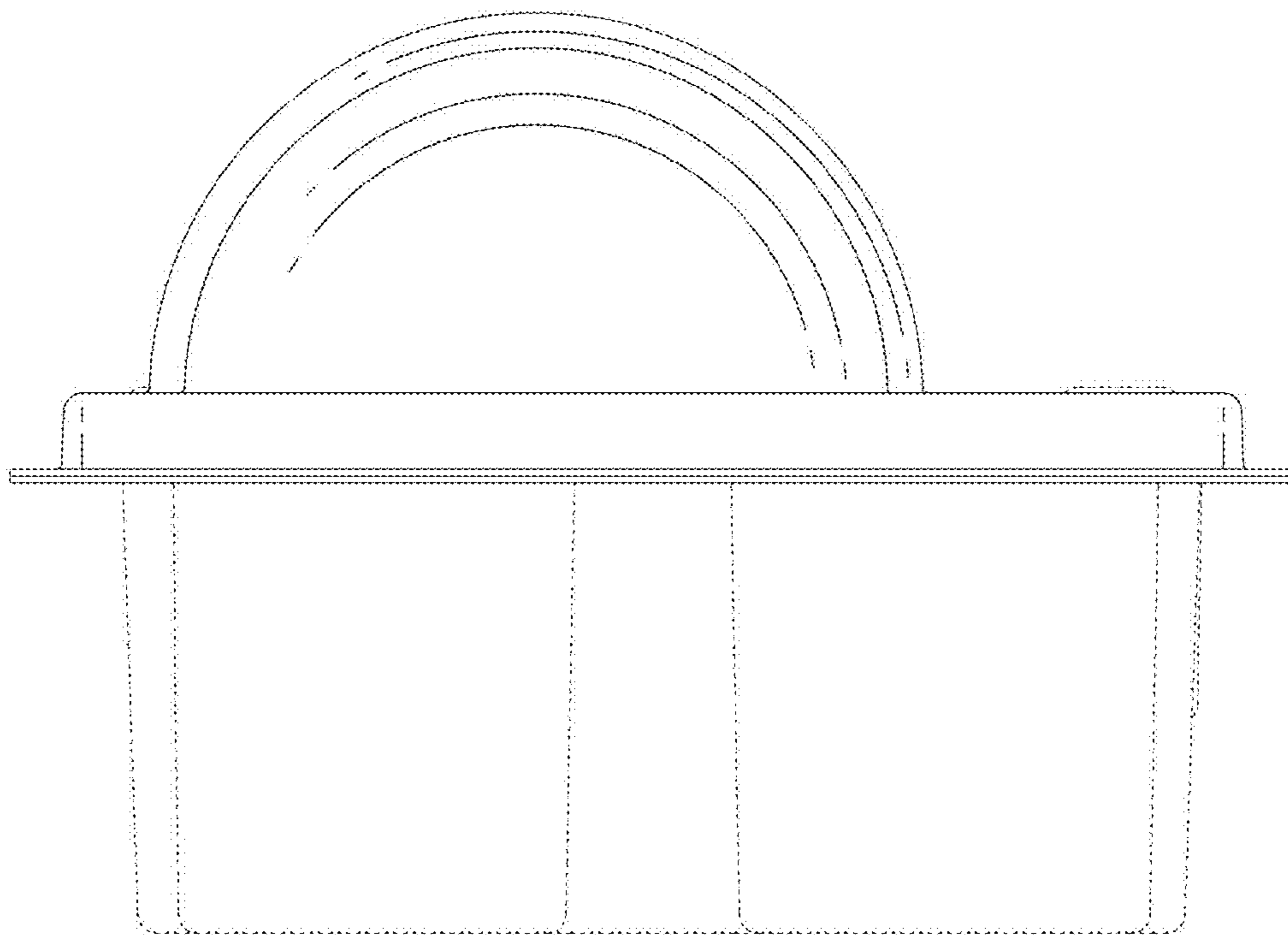


FIG. 7