



US00D760070S

(12) **United States Design Patent**
Sarnowski et al.

(10) **Patent No.:** **US D760,070 S**
(45) **Date of Patent:** **** Jun. 28, 2016**

- (54) **CLEAT**
- (71) Applicant: **GEM Products, Inc.**, Orange Park, FL (US)
- (72) Inventors: **Jason Sarnowski**, Jacksonville, FL (US); **Matthew Bridgewater**, St. Johns, FL (US)
- (73) Assignee: **GEM Products, Inc.**, Orange Park, FL (US)
- (**) Term: **14 Years**
- (21) Appl. No.: **29/503,058**
- (22) Filed: **Sep. 23, 2014**
- (51) **LOC (10) Cl.** **08-08**
- (52) **U.S. Cl.**
USPC **D8/382**
- (58) **Field of Classification Search**
USPC D8/300, 315, 356, 373, 380, 382, 383, D8/499; D6/301, 315, 328, 567; D12/223, D12/400, 317, 51, 345, 414.1, 414
CPC B60P 7/08; B60P 7/0807; B60P 7/0815; B60P 7/06; B60R 9/00; B61D 45/001; B61D 45/00; B63B 21/045; B63B 21/04; B63B 21/00; F16G 11/00
See application file for complete search history.

(56) **References Cited**

U.S. PATENT DOCUMENTS

D175,473 S	8/1955	Leichter	
3,115,113 A *	12/1963	Ellsworth	B63B 21/045 114/218
D200,196 S *	2/1965	Carsello	D8/317
3,365,162 A	1/1968	Davis	
3,905,322 A *	9/1975	Peterman	B63B 21/045 114/218
D239,258 S *	3/1976	Faul	D8/382
D255,419 S *	6/1980	Hume	D8/382
D301,683 S *	6/1989	Whitley, II	D8/356
4,890,566 A	1/1990	Morris	

D316,664 S	5/1991	Tull	
5,477,800 A *	12/1995	Lawrence	B63B 21/045 114/218
5,983,820 A	11/1999	Whitley	
D423,339 S *	4/2000	Snell	D6/567
D432,395 S	10/2000	Whitley	
6,256,844 B1 *	7/2001	Wheatley	B60P 7/0807 24/115 R
6,487,984 B1 *	12/2002	Pape	B63B 21/045 114/218
6,588,355 B1	7/2003	Whitley et al.	
6,672,237 B2	1/2004	Hillier	
D495,232 S	8/2004	Fields	
D511,672 S	11/2005	Fields	
D512,298 S	12/2005	Fields	
D513,961 S	1/2006	Fields	
7,318,390 B2	1/2008	Amy	

(Continued)

FOREIGN PATENT DOCUMENTS

DE	9205946 U1 *	8/1992	B63B 21/045
JP	2003212180 A *	7/2003	B63B 21/08
WO	WO 8201173 A1 *	4/1982	B63B 21/045

Primary Examiner — Ian Simmons

Assistant Examiner — Ieisha Price

(74) *Attorney, Agent, or Firm* — Seyfarth Shaw LLP

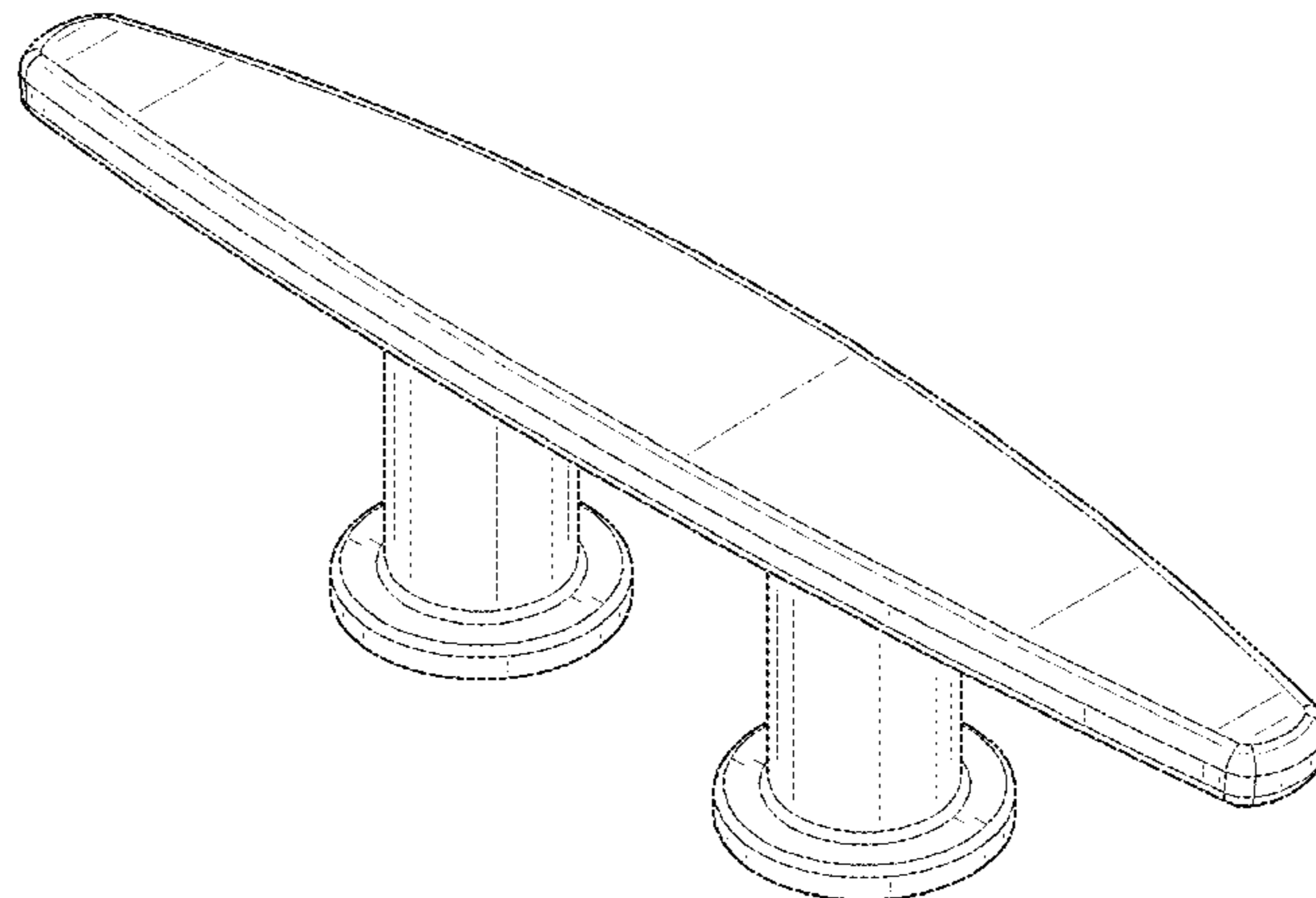
(57) **CLAIM**

The ornamental design for a cleat, as shown and described.

DESCRIPTION

FIG. 1 is a top perspective view of a cleat, showing our new design;
 FIG. 2 is a bottom perspective view thereof;
 FIG. 3 is a left-side elevation view thereof;
 FIG. 4 is a right-side elevation view thereof;
 FIG. 5 is a rear elevation view thereof;
 FIG. 6 is a front elevation view thereof;
 FIG. 7 is a top plan view thereof; and,
 FIG. 8 is a bottom plan view thereof.
 The broken lines in the drawings illustrate portions of the cleat and form no part of the claimed design.

1 Claim, 5 Drawing Sheets



(56)

References Cited

U.S. PATENT DOCUMENTS

D561,675 S	2/2008	Czipri		2004/0137808 A1	7/2004	Franchetti	
D587,982 S *	3/2009	Mattson	D8/317	2005/0011428 A1 *	1/2005	Steele	F16G 11/00 114/218
D642,891 S	8/2011	Roe et al.		2005/0036848 A1 *	2/2005	Cunningham	B60P 7/0815 410/104
8,277,157 B2 *	10/2012	Parsons	B61D 45/001 410/104	2008/0121161 A1	5/2008	Pugh	
8,393,285 B2	3/2013	Cleveland et al.		2011/0099883 A1	5/2011	Baltes	
8,402,907 B2	3/2013	Cleveland et al.		2012/0017817 A1 *	1/2012	Martzall	B63B 21/045 114/218
D693,632 S	11/2013	Dolvin		2012/0017819 A1	1/2012	Cleveland et al.	
D708,936 S	7/2014	Bridgewater et al.		2014/0196652 A1 *	7/2014	Adair	B63B 45/00 114/218
9,056,659 B2 *	6/2015	Adair	B63B 45/00	2015/0114273 A1 *	4/2015	Czipri	B63B 21/04 114/218
2004/0099197 A1	5/2004	King					

* cited by examiner

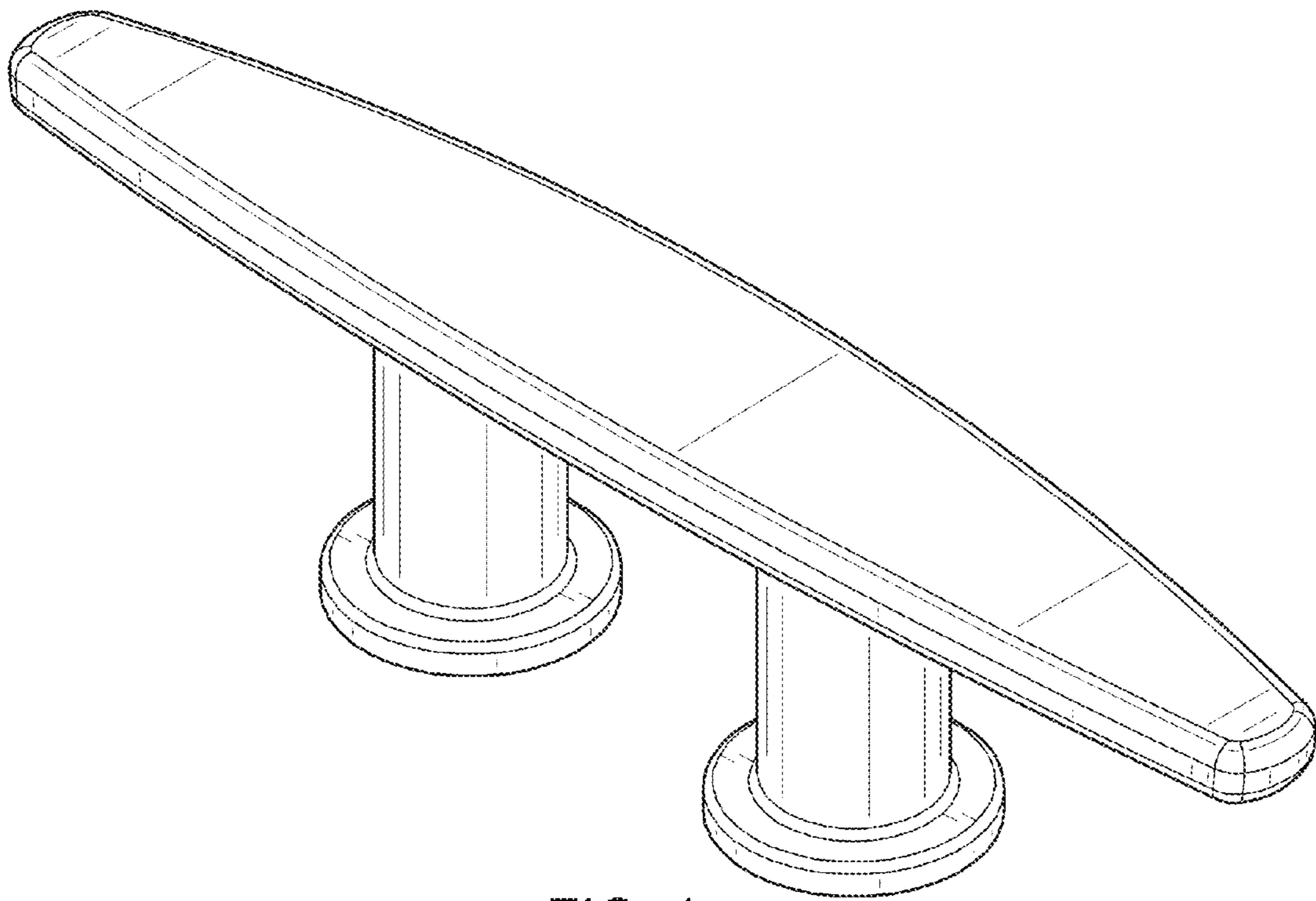


FIG. 1

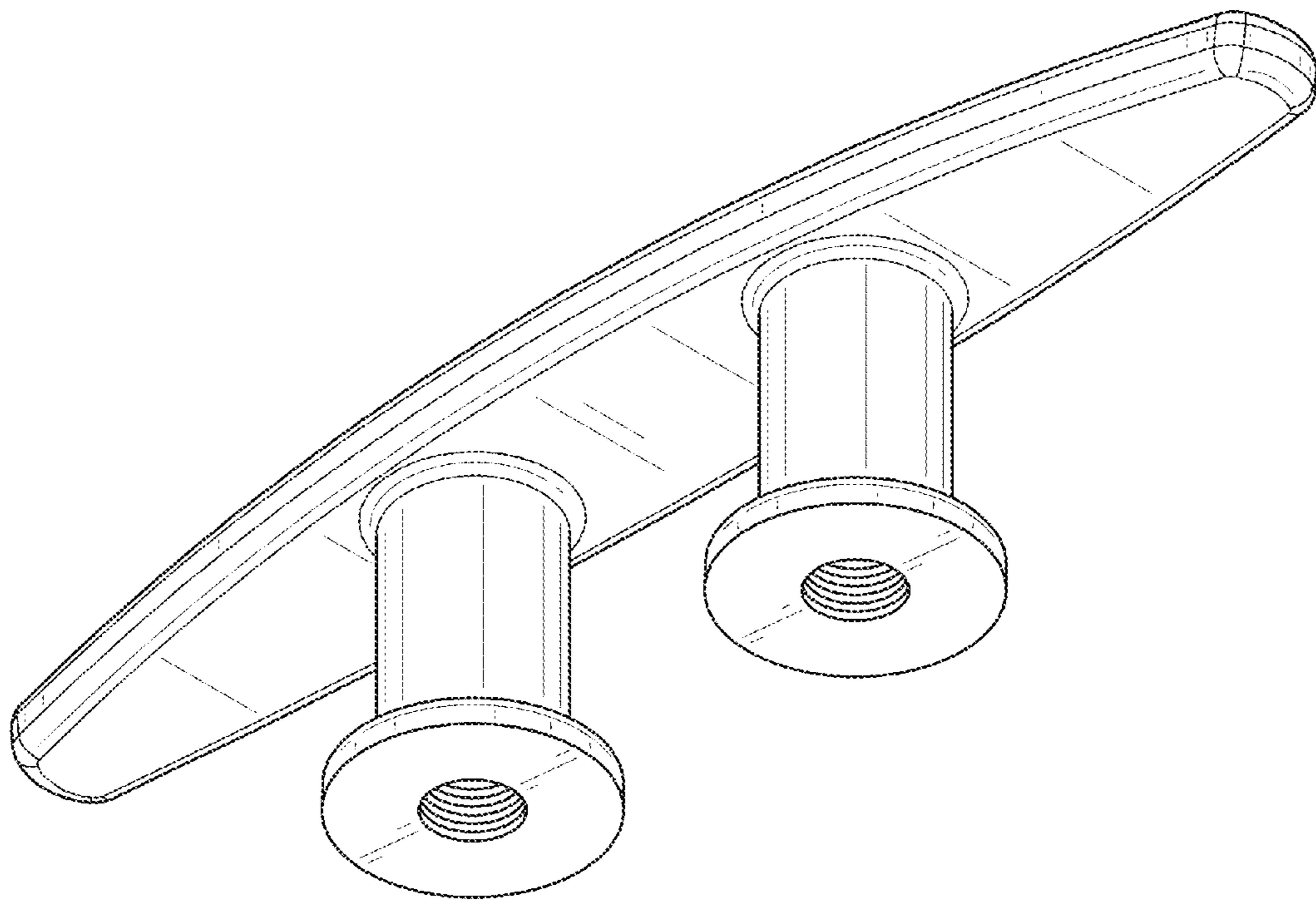


FIG. 2

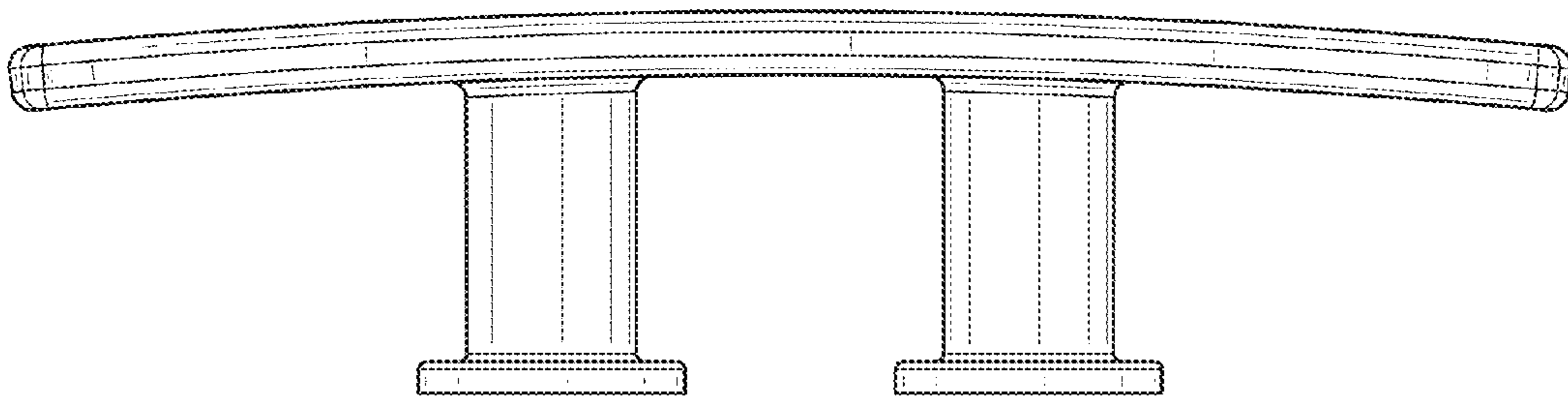


FIG. 3

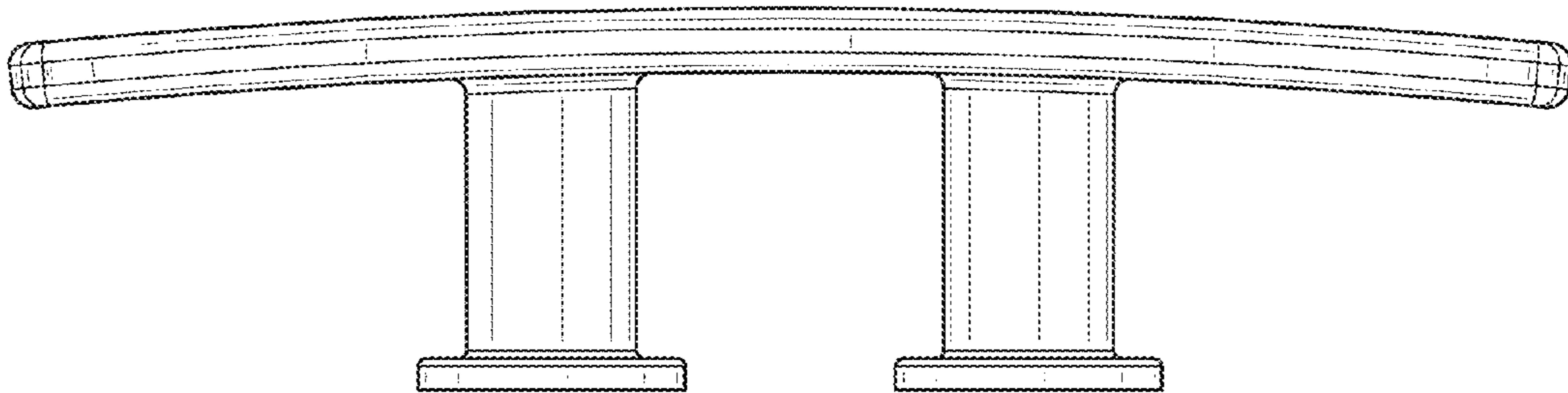


FIG. 4

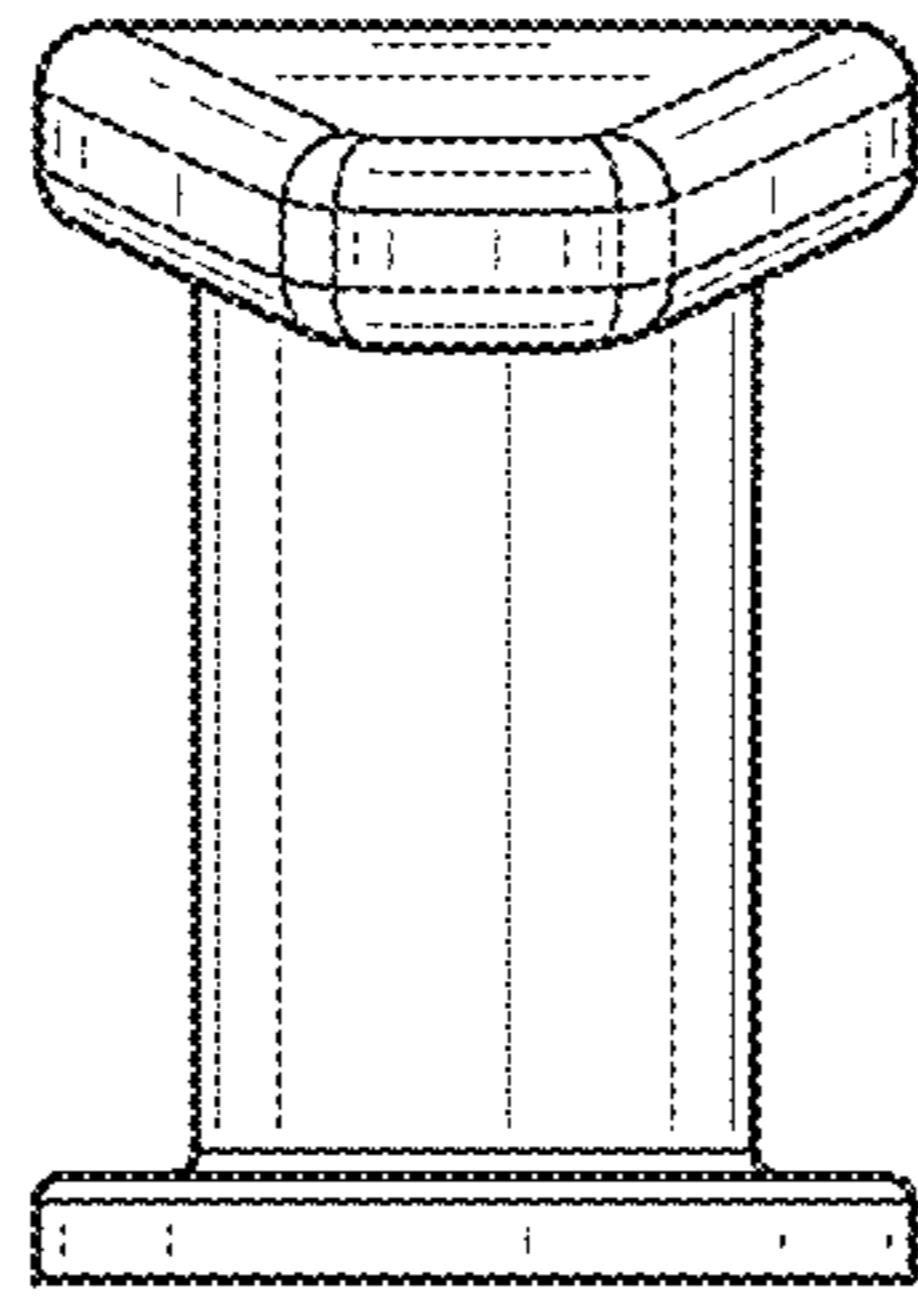


FIG. 5

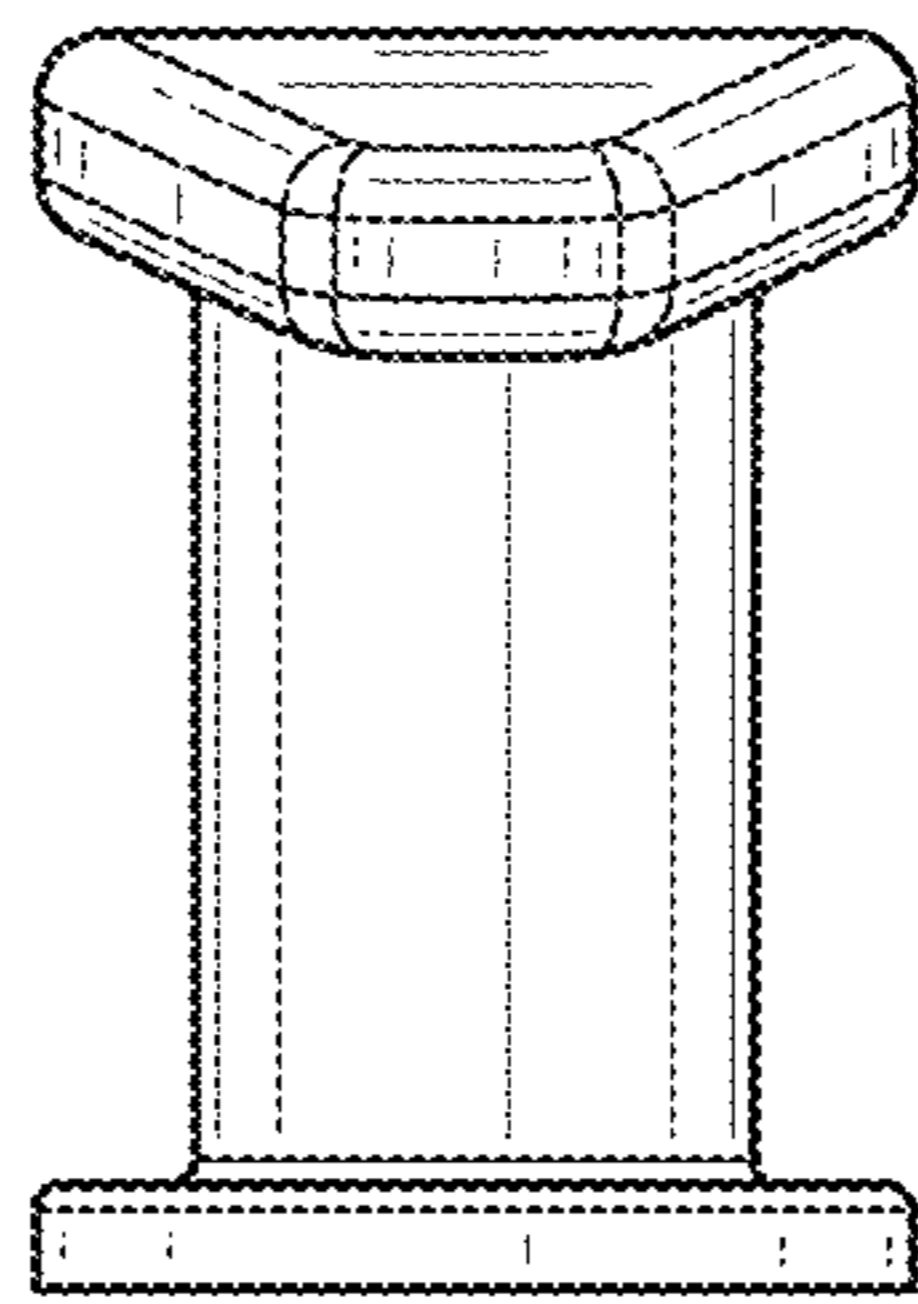


FIG. 6

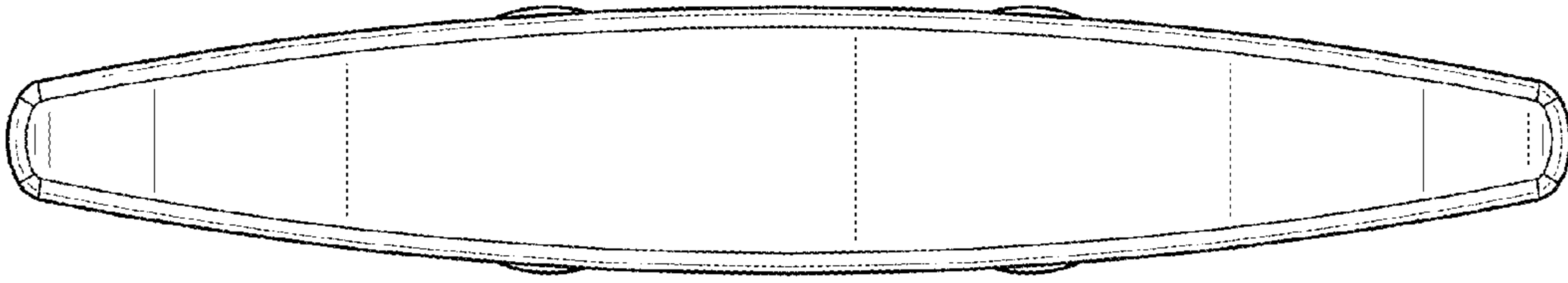


FIG. 7

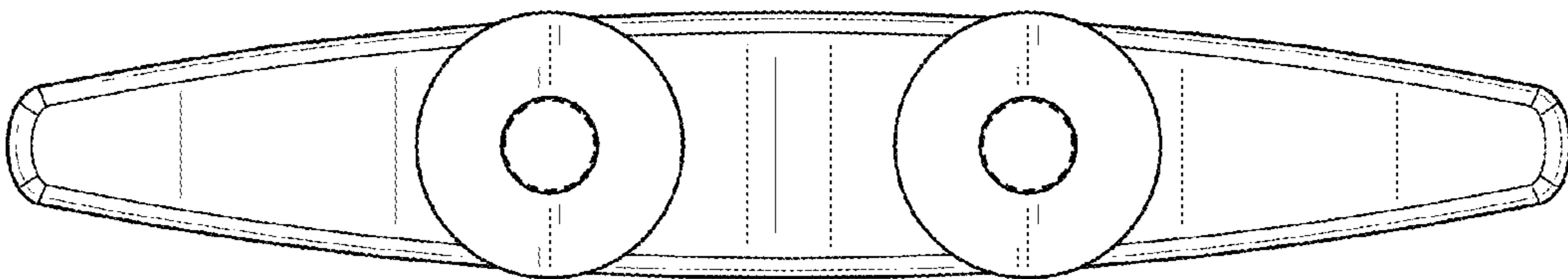


FIG. 8