



US00D760069S

(12) **United States Design Patent**
Pierce

(10) **Patent No.:** **US D760,069 S**
(45) **Date of Patent:** **** Jun. 28, 2016**

- (54) **SET OF STABILIZER PADS**
- (71) Applicant: **Keith W. Pierce**, Portland, MI (US)
- (72) Inventor: **Keith W. Pierce**, Portland, MI (US)
- (**) Term: **14 Years**
- (21) Appl. No.: **29/521,010**
- (22) Filed: **Mar. 19, 2015**
- (51) **LOC (10) Cl.** **08-05**
- (52) **U.S. Cl.**
USPC **D8/374**
- (58) **Field of Classification Search**
USPC D8/383, 374, 300, 303, 313, 314, 394,
D8/395, 396
CPC A47C 21/00; A47C 19/045; E21B 17/015;
E21B 17/01; A47B 91/005
See application file for complete search history.

- 7,386,955 B1 6/2008 Repasky
- D596,481 S * 7/2009 Yamamoto D8/374
- 8,381,461 B2 2/2013 Repasky
- 8,776,452 B1 7/2014 DeJonge
- 9,033,293 B1 * 5/2015 Glenn A47B 91/005
248/188.2
- D731,292 S * 6/2015 Vrame D8/354
- D736,607 S * 8/2015 Sheldon D8/374
- 2012/0168592 A1 7/2012 Jones
- 2013/0232891 A1 9/2013 Ferguson

* cited by examiner

Primary Examiner — Robert M Spear
Assistant Examiner — Eliza Bennett-Hattan
(74) *Attorney, Agent, or Firm* — Robert C. Montgomery;
Montgomery Patent & Design, LP

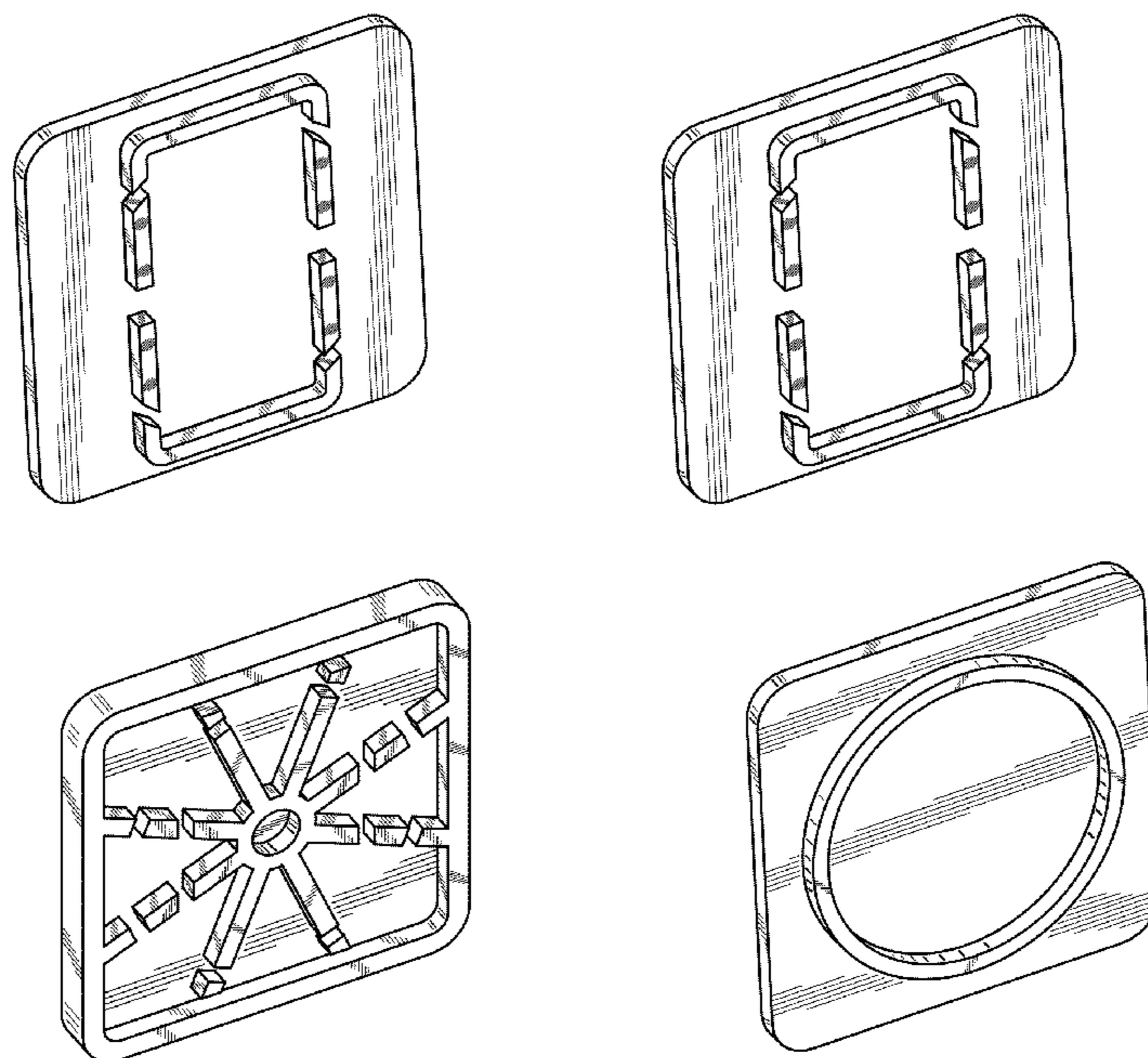
(57) **CLAIM**
The ornamental design for a set of stabilizer pads, as shown and described.

- (56) **References Cited**
U.S. PATENT DOCUMENTS
- | | | | | |
|-----------|-----|---------|-------------|--------|
| 5,442,882 | A | 8/1995 | Repasky | |
| D363,657 | S * | 10/1995 | Kassardjian | D8/354 |
| D371,958 | S * | 7/1996 | Keaton | D7/388 |
| D435,430 | S * | 12/2000 | Valentz | D8/349 |
| 6,332,292 | B1 | 12/2001 | Buzon | |
| D463,250 | S * | 9/2002 | Valentz | D8/349 |
| D466,393 | S * | 12/2002 | Neider | D8/354 |
| D466,394 | S * | 12/2002 | Neider | D8/354 |
| D470,038 | S * | 2/2003 | Lapp, Jr. | D8/363 |
| 6,604,330 | B2 | 8/2003 | Repasky | |
| D494,842 | S * | 8/2004 | Perkins | D8/354 |

DESCRIPTION

FIG. 1 is a perspective front view of a set of stabilizer pads showing my new design;
FIG. 2 is a perspective back view thereof;
FIG. 3 is a front side view thereof;
FIG. 4 is a back side view thereof;
FIG. 5 is a left side view with the right side view being a mirror image thereof; and,
FIG. 6 is a top side view with the bottom side view being a mirror image thereof.

1 Claim, 6 Drawing Sheets



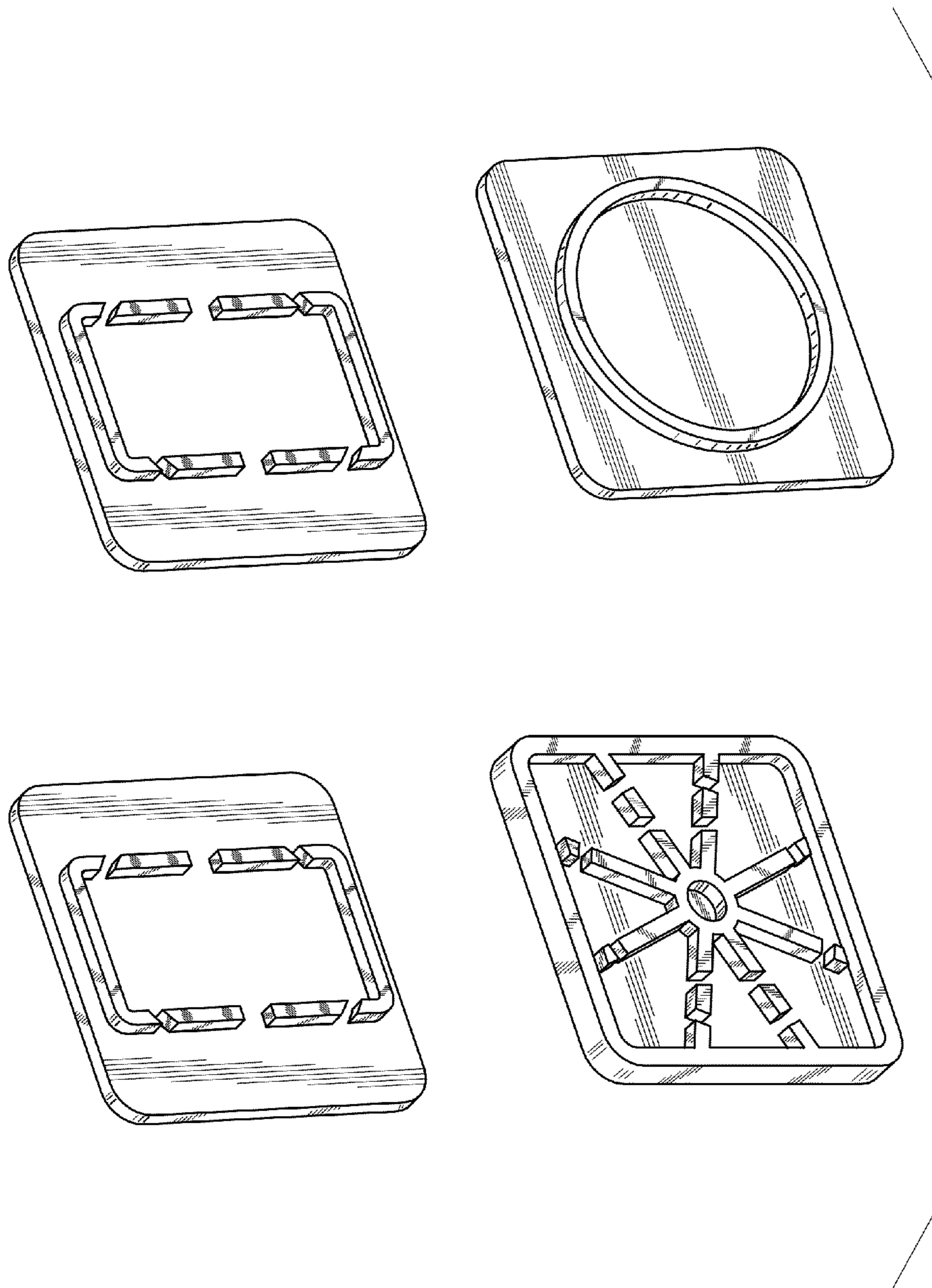


Fig. 1

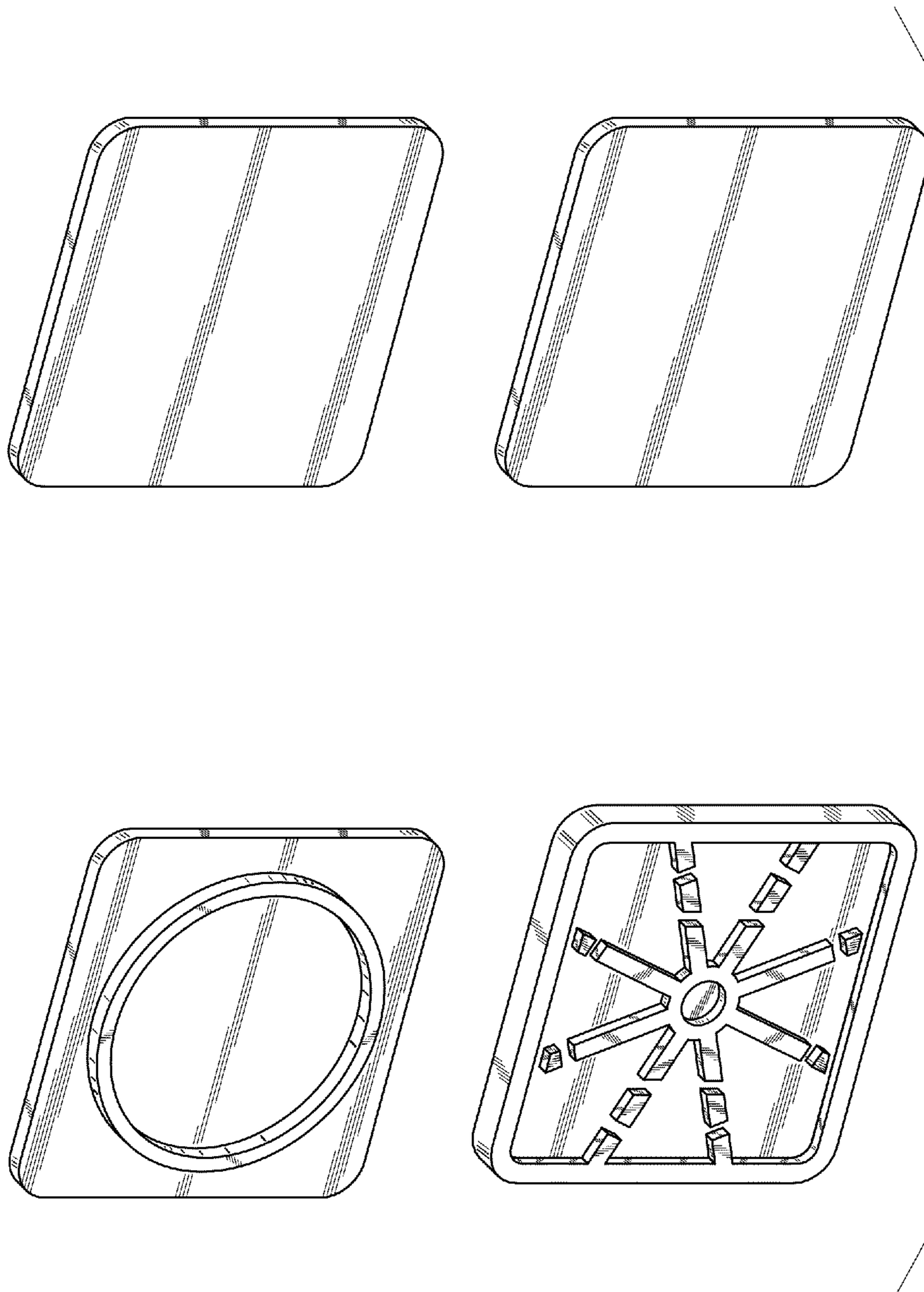


Fig. 2

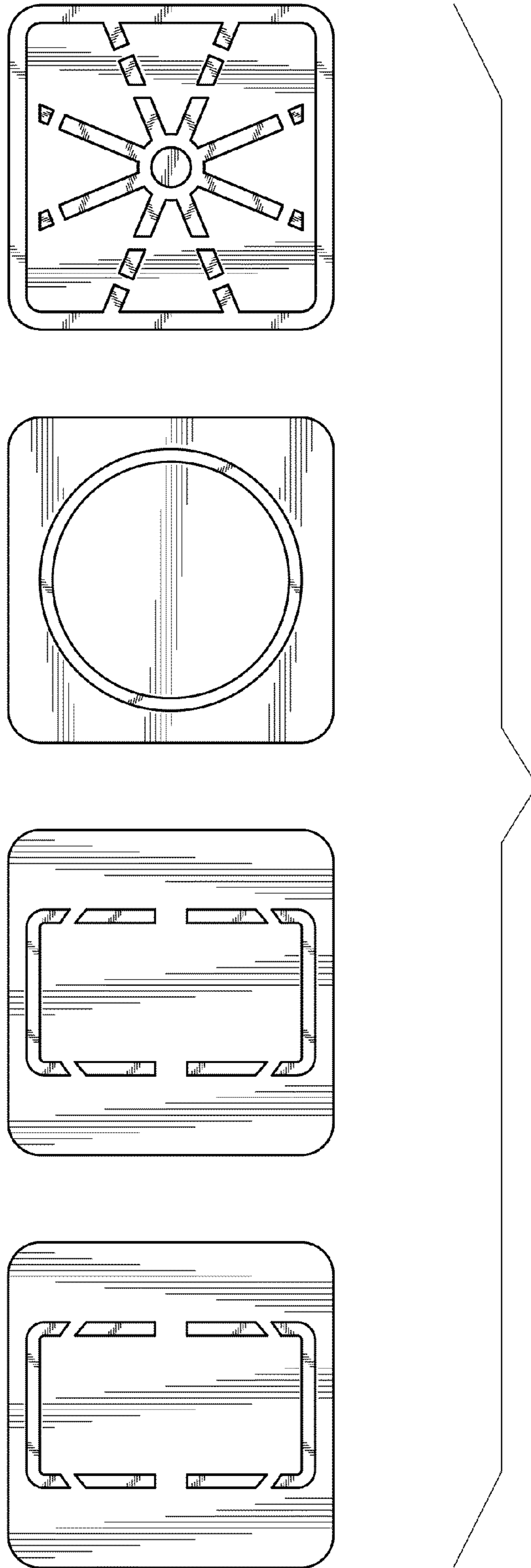


Fig. 3

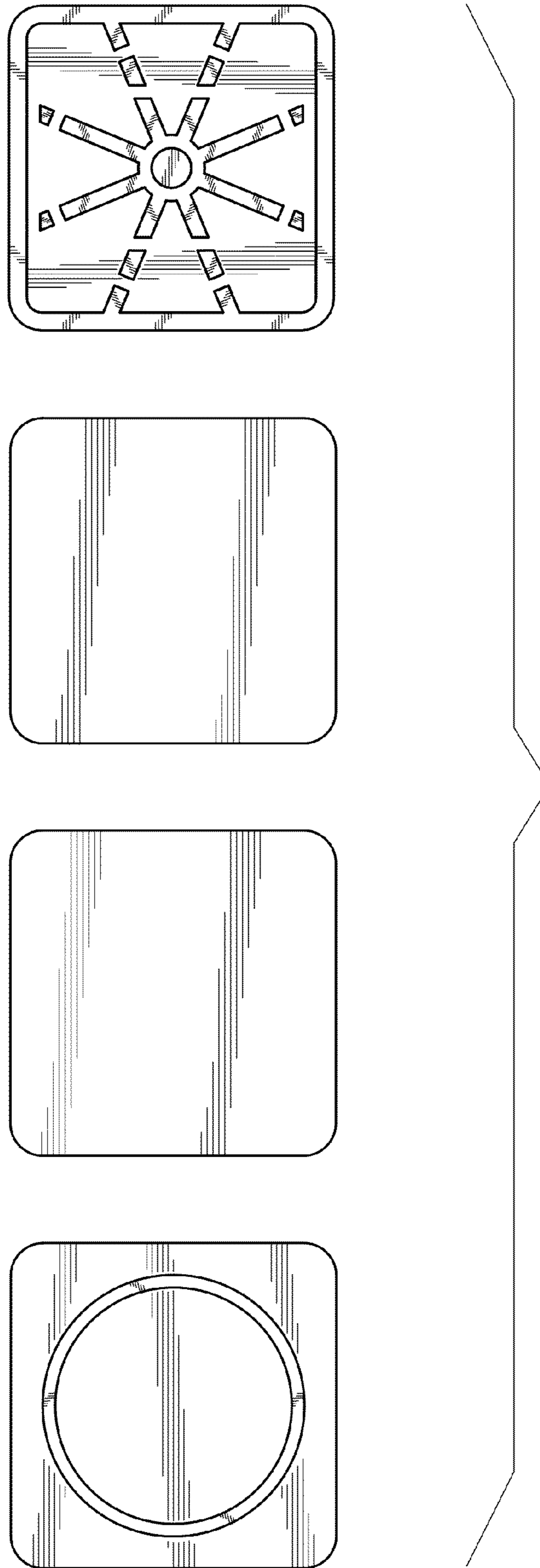


Fig. 4

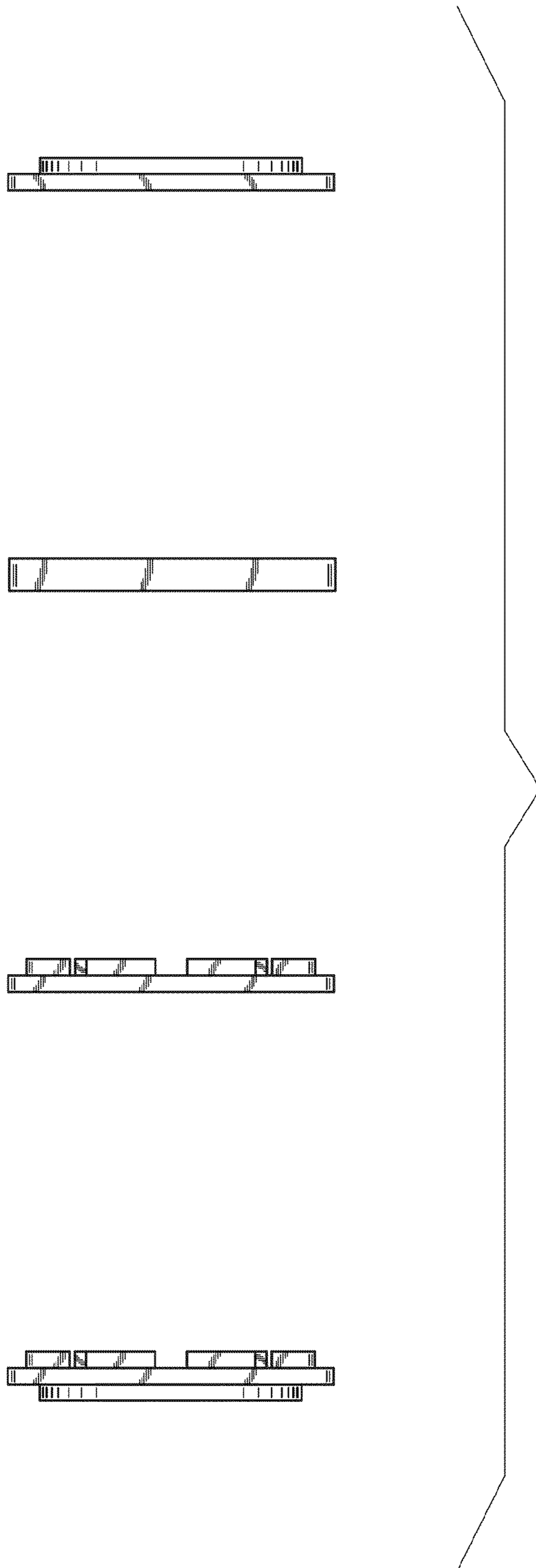


Fig. 5

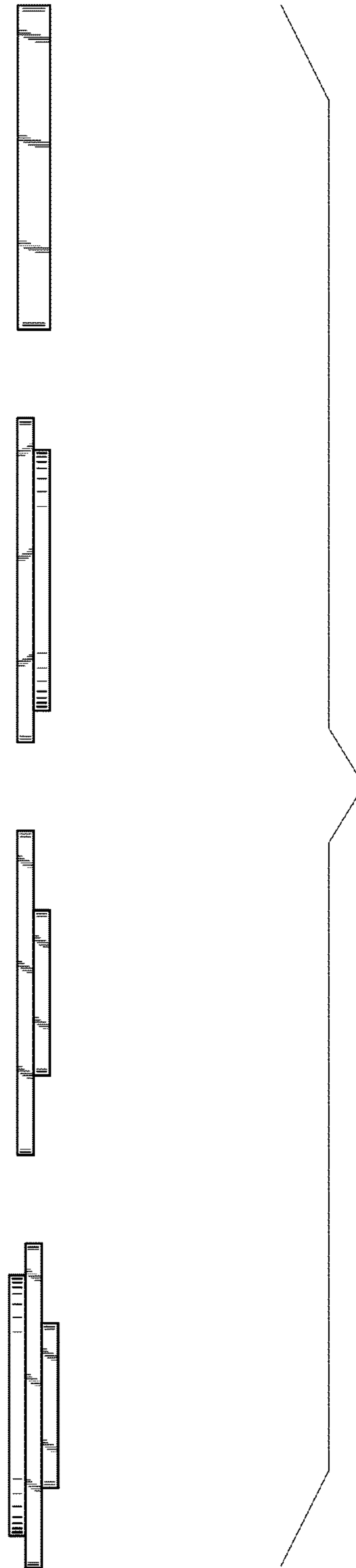


Fig. 6