



US00D760068S

(12) **United States Design Patent**
Sehl

(10) **Patent No.:** **US D760,068 S**
(45) **Date of Patent:** **** Jun. 28, 2016**

- (54) **DISPLAY HOOK**
- (71) Applicant: **Michael Gaffney Sehl**, Taipei (TW)
- (72) Inventor: **Michael Gaffney Sehl**, Taipei (TW)
- (73) Assignee: **LAMI PRODUCTS, INC.**, Huntingdon Valley, PA (US)
- (**) Term: **14 Years**
- (21) Appl. No.: **29/474,976**
- (22) Filed: **Apr. 10, 2015**
- (51) **LOC (10) Cl.** **08-05**
- (52) **U.S. Cl.**
USPC **D8/367**
- (58) **Field of Classification Search**
USPC D8/367, 354, 349, 389; 248/301, 302, 248/303, 304, 339; 24/132 R; D6/325
CPC A47G 1/00
See application file for complete search history.

- D606,847 S * 12/2009 Rataiczak, III D8/367
- D668,937 S * 10/2012 Walker D8/367
- D695,090 S * 12/2013 White D8/354
- D742,726 S * 11/2015 Glass D8/367
- D746,664 S * 1/2016 Najieb D23/411

* cited by examiner

Primary Examiner — Cynthia Underwood

(74) *Attorney, Agent, or Firm* — Beusse, Wolter, Sanks & Maire, PLLC

(57) **CLAIM**

The ornamental design for a display hook, as shown and described.

DESCRIPTION

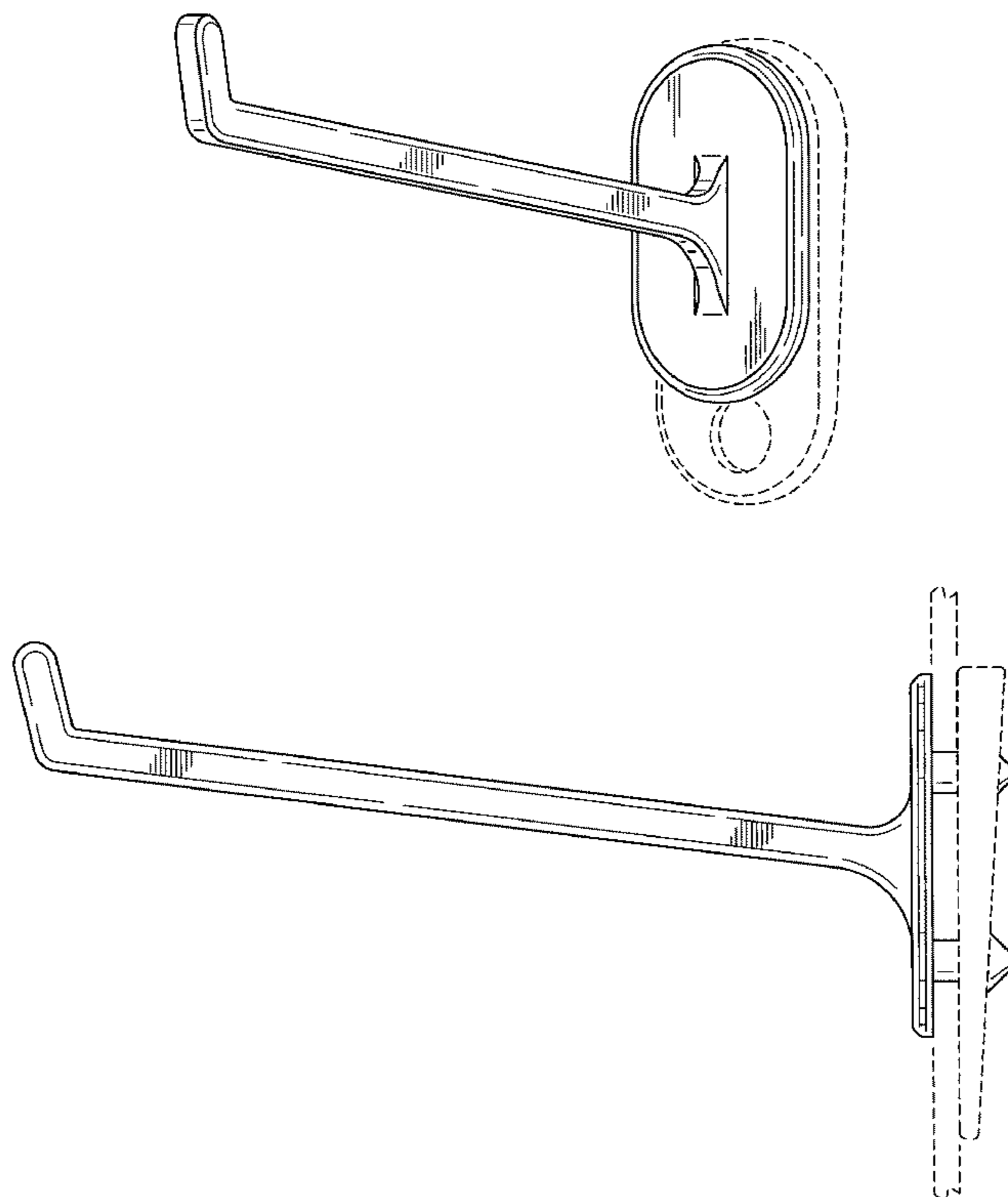
FIG. 1 is a front view in perspective of a display hook of the present invention as illustrated as installed;
 FIG. 2 is a rear view in perspective of the display hook as illustrated as installed;
 FIG. 3 is a front view in perspective of the display hook;
 FIG. 4 is a rear view in perspective of the display hook;
 FIG. 5 is a side view of the display hook;
 FIG. 6 is a front view of the display hook;
 FIG. 7 is a rear view of the display hook;
 FIG. 8 is a top view of the display hook; and,
 FIG. 9 is a bottom view of the display hook.
 The broken lines represent environment and form no part of the claim.

(56) **References Cited**

U.S. PATENT DOCUMENTS

- D300,003 S * 2/1989 Hutchison 248/220.42
- D420,567 S * 2/2000 Laga D8/363
- 6,234,436 B1 * 5/2001 Kump A47F 5/0823
211/59.1
- D558,029 S * 12/2007 Ernst D8/367

1 Claim, 4 Drawing Sheets



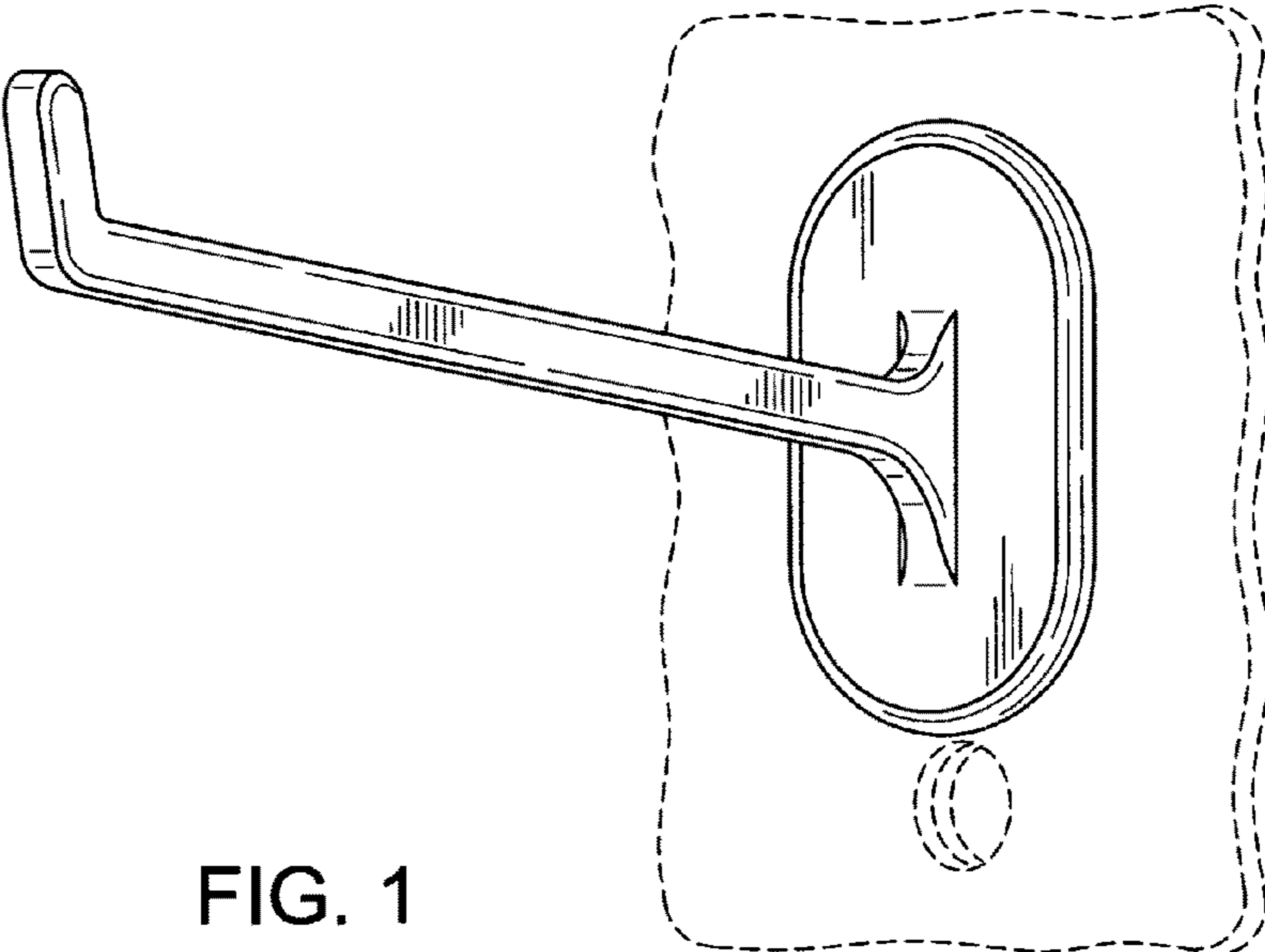


FIG. 1

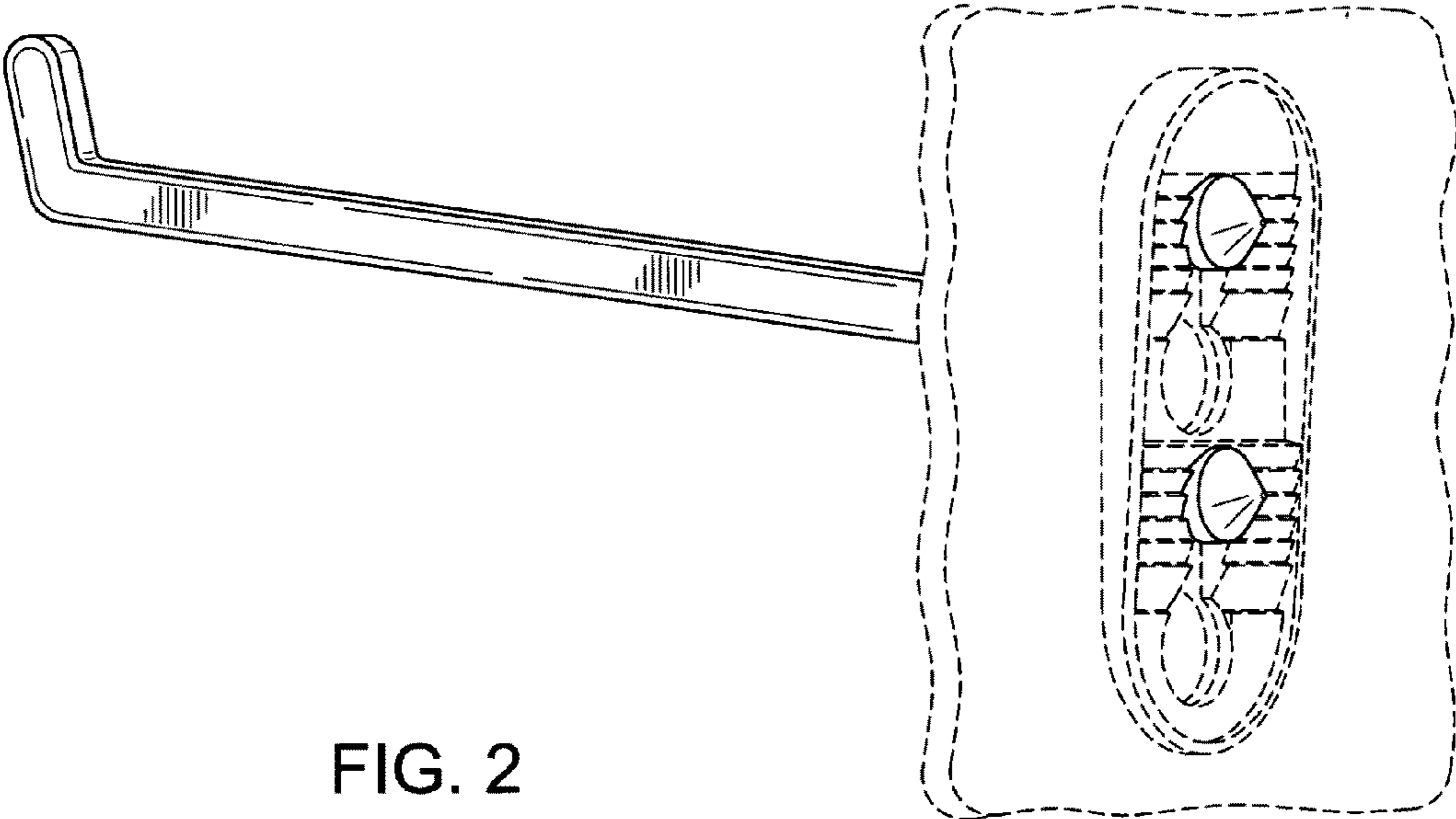


FIG. 2

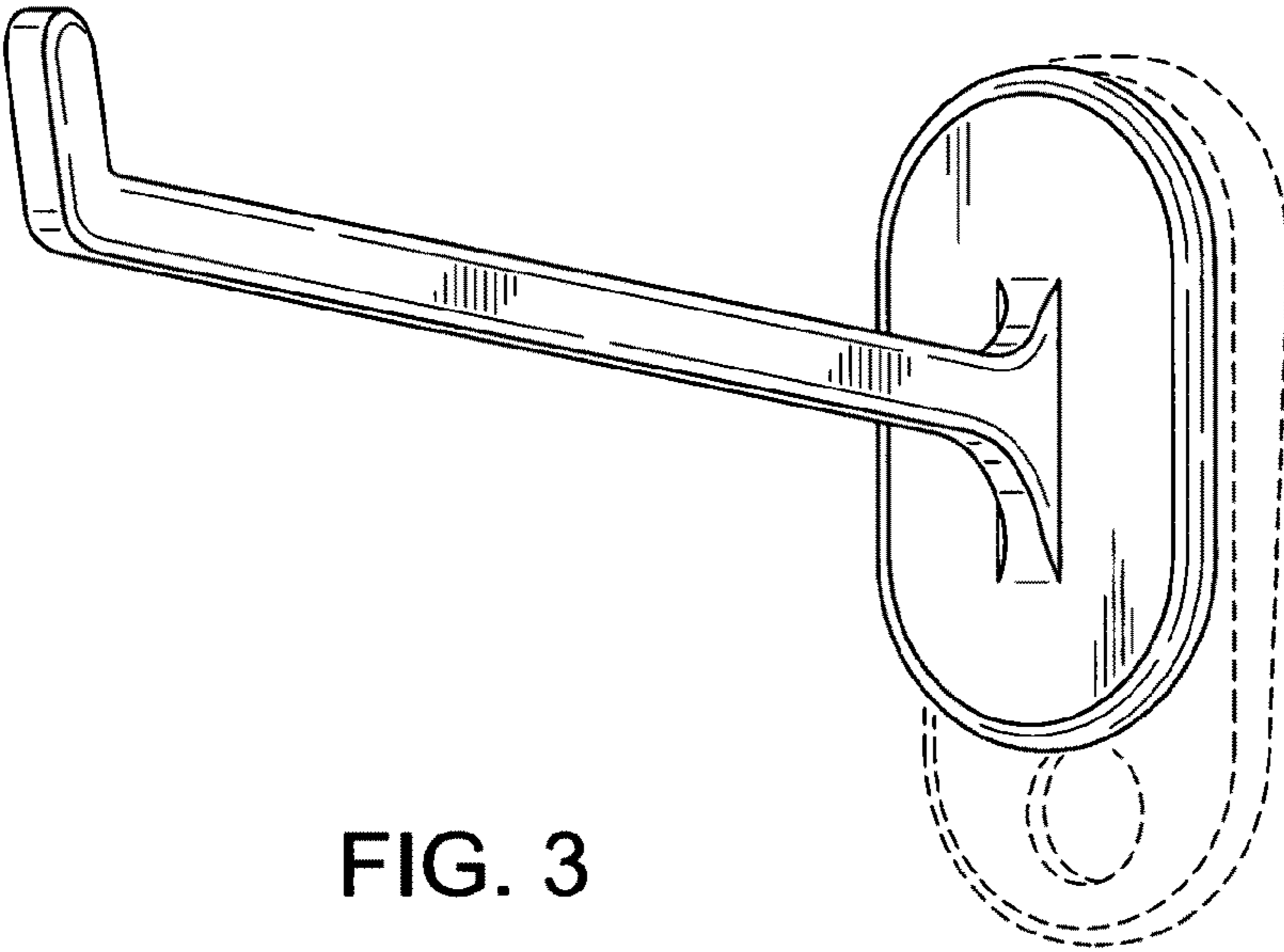


FIG. 3

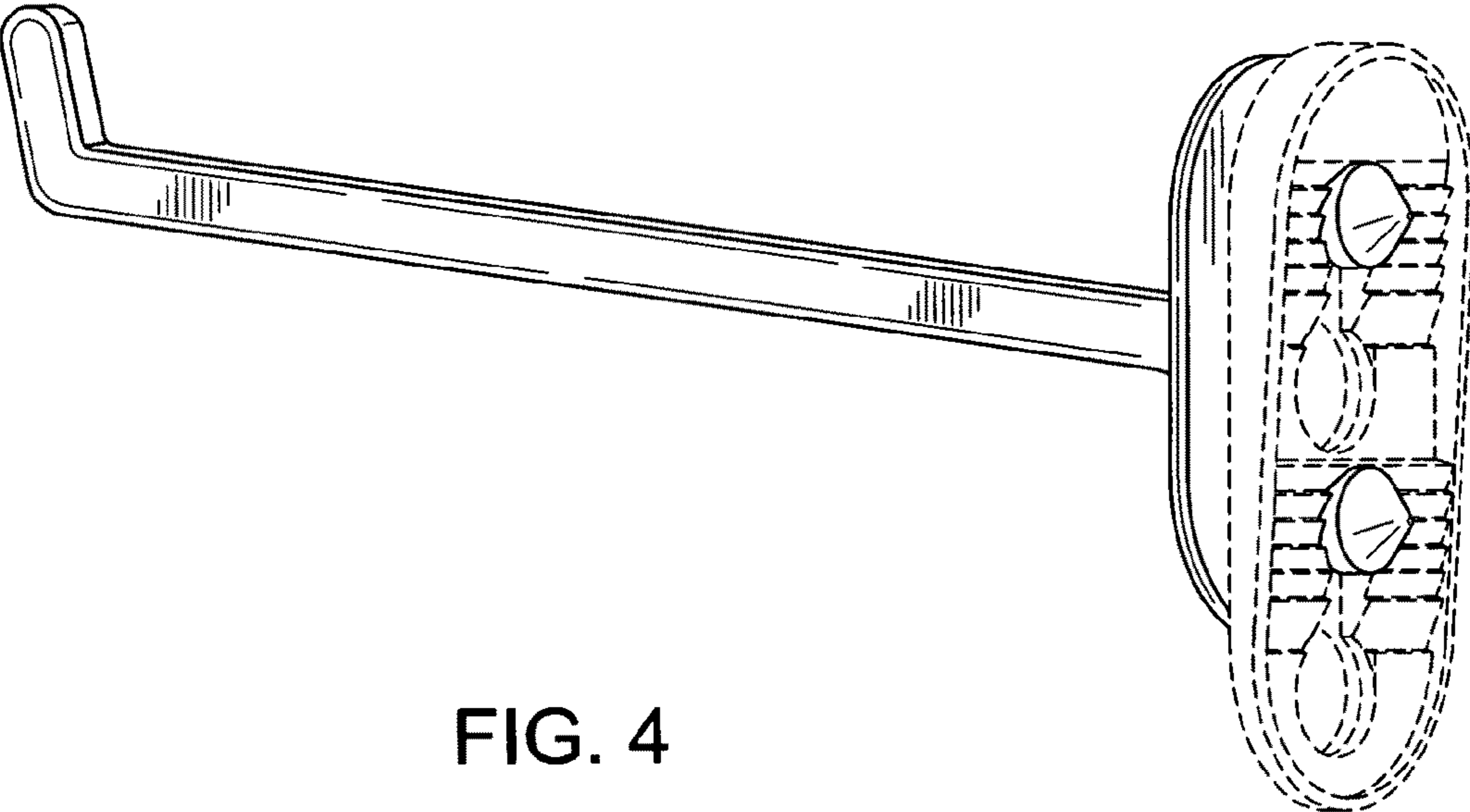
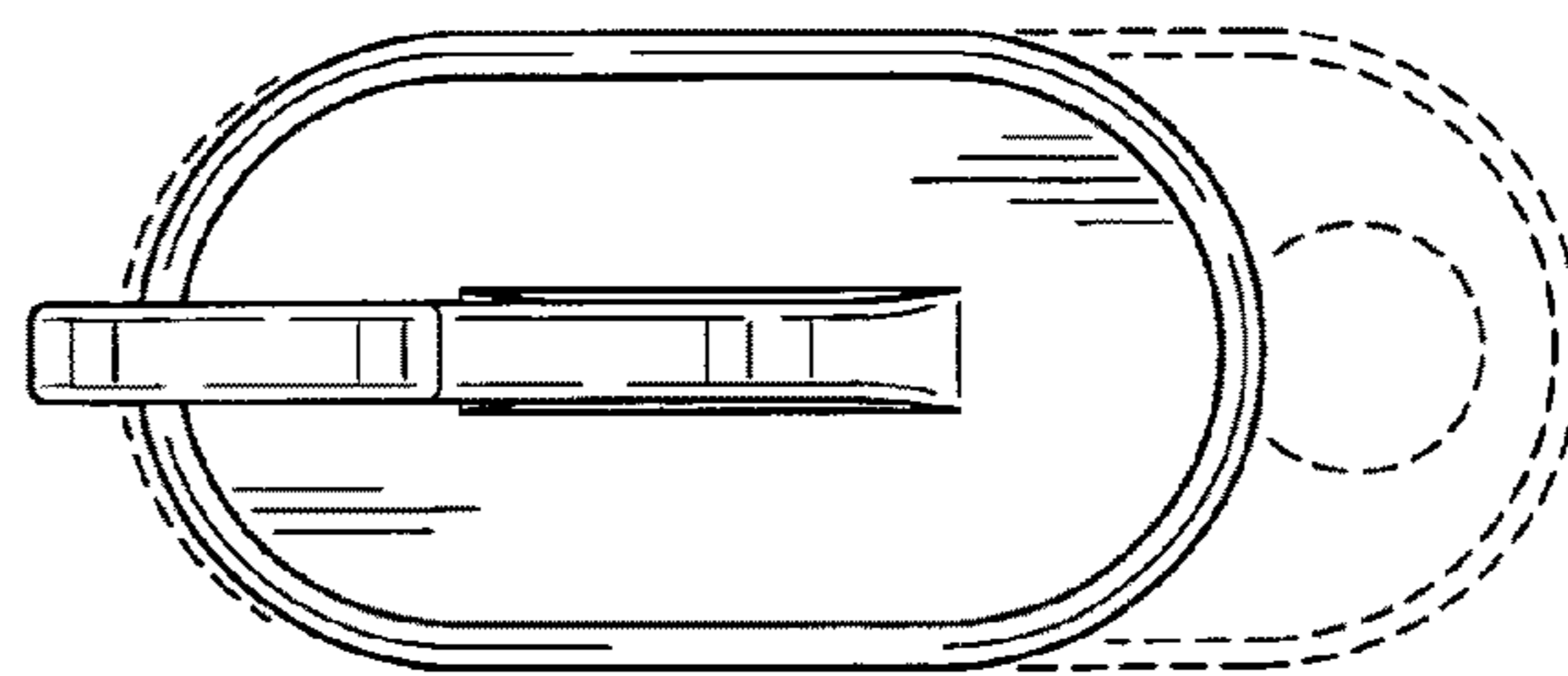
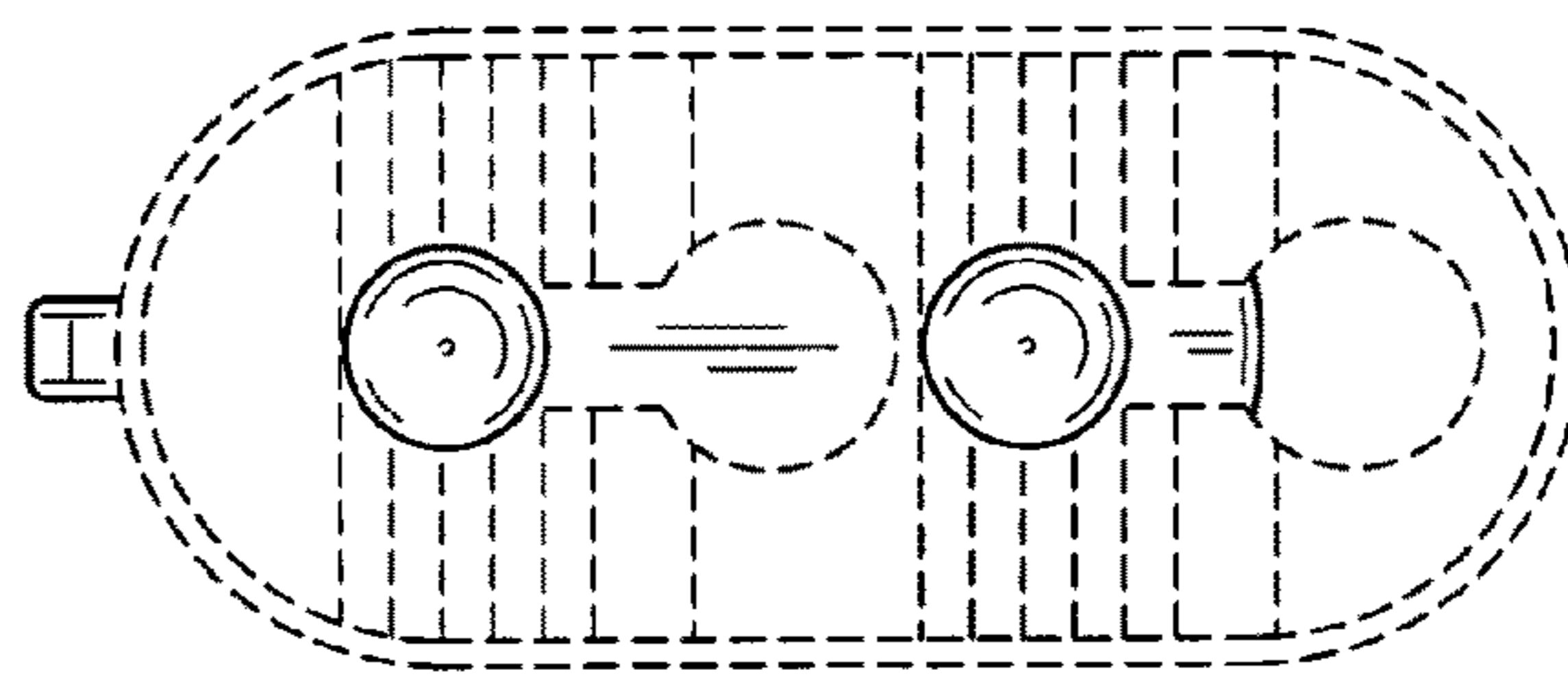
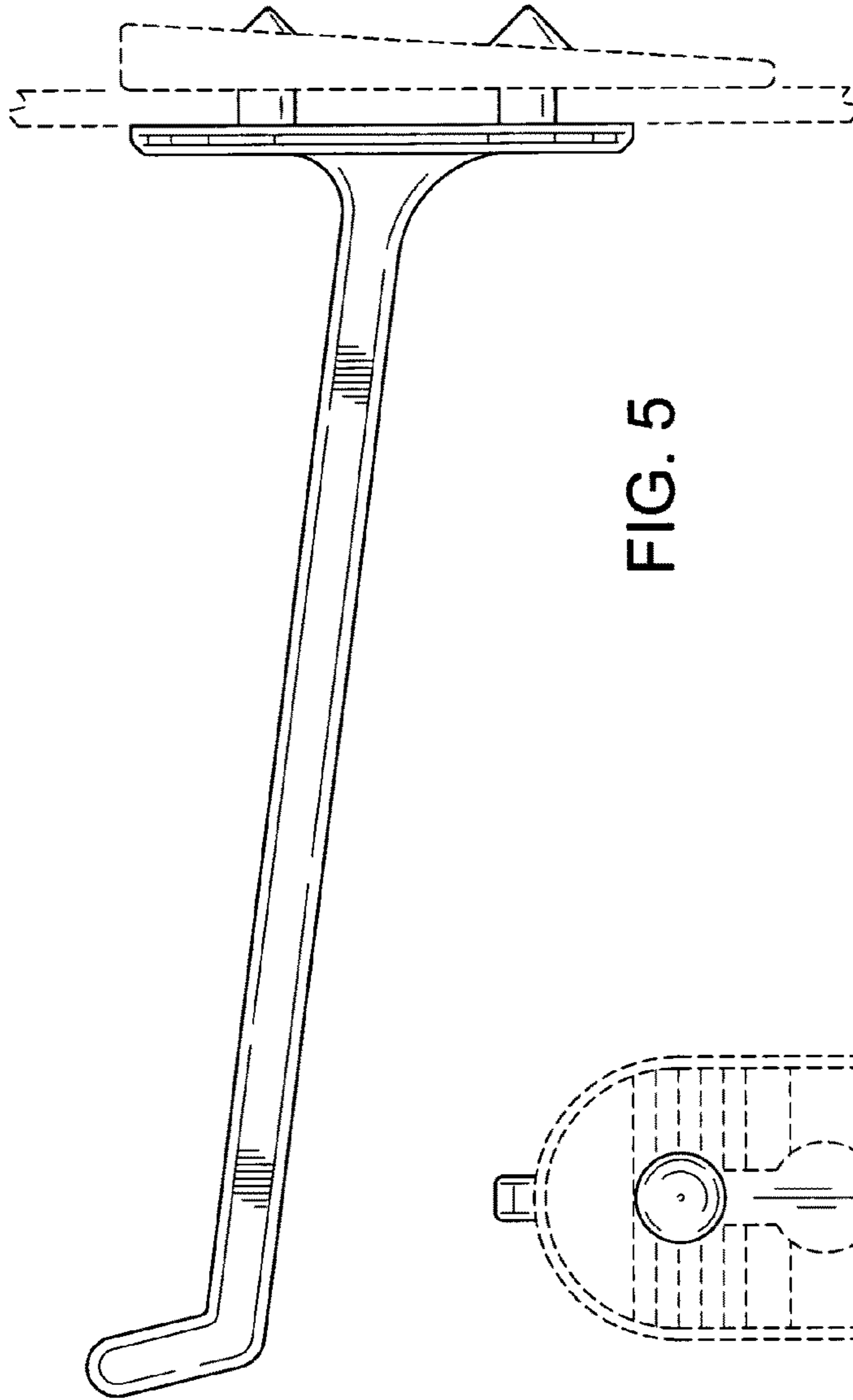


FIG. 4



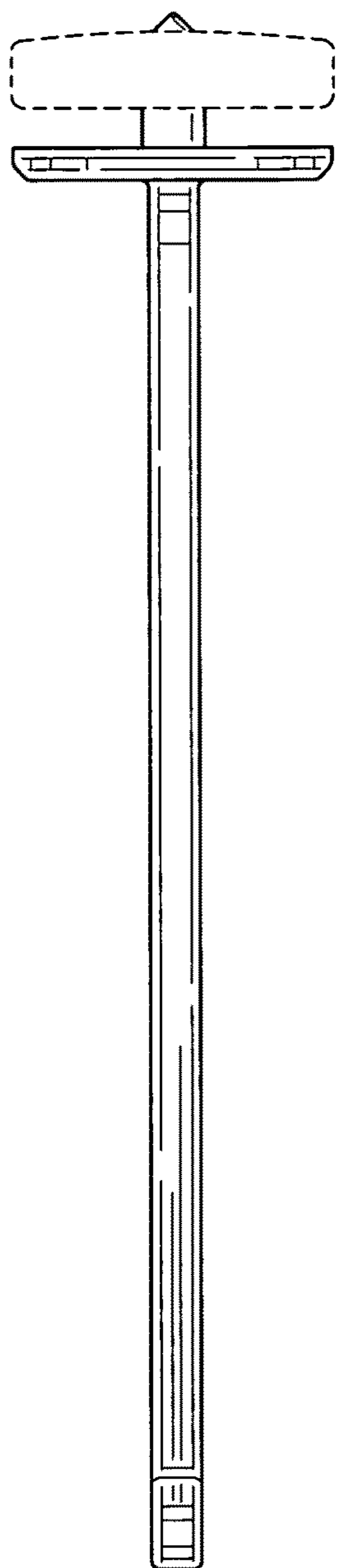


FIG. 8

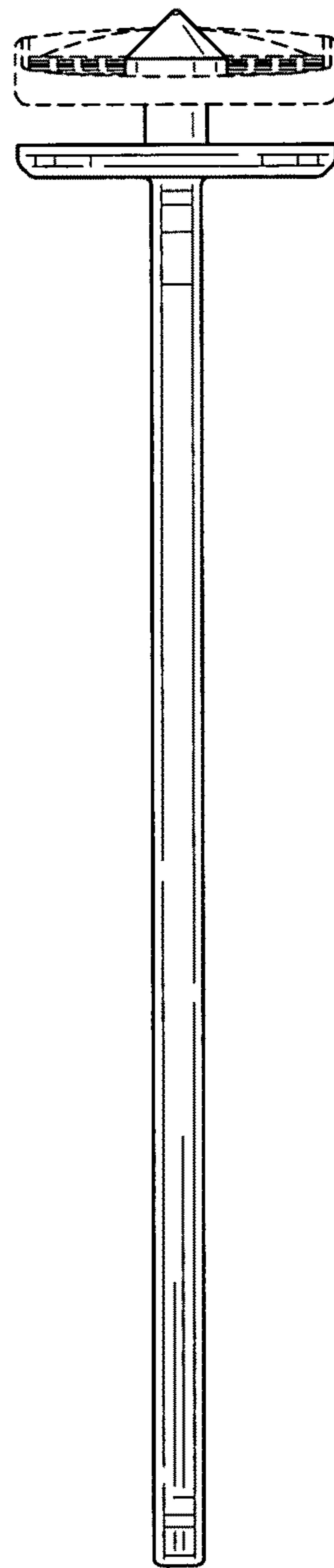


FIG. 9